

# UTC3414 LINEAR INTEGRATED CIRCUIT

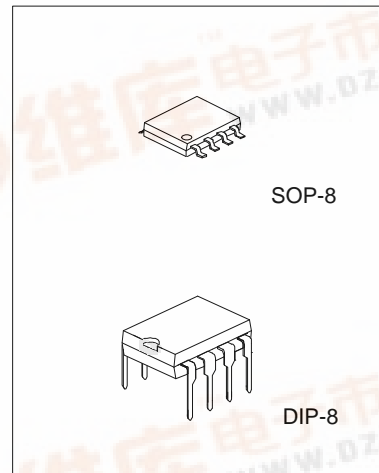
## SINGLE-SUPPLY DUAL HIGH CURRENT OPERATIONAL AMPLIFIER

### DESCRIPTION

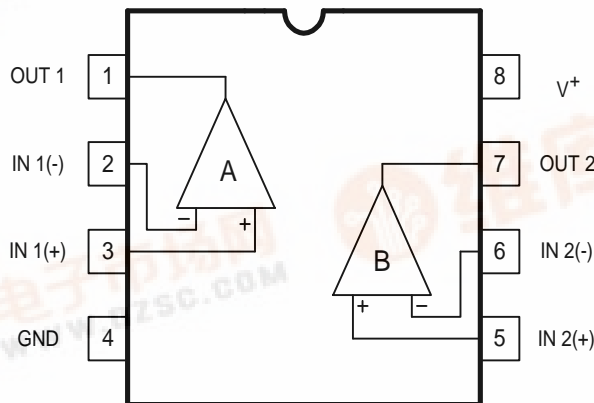
The UTC 3414 integrated circuit is a high gain, high output current, high output voltage swing dual operational amplifier capable of driving 70mA.

### FEATURES

- \*Single Supply
- \*Operating Voltage (+3V~+15V)
- \*High Output Current (70mA)
- \*Slew Rate (1.0V/ $\mu$ s typ.)
- \*Bipolar Technology

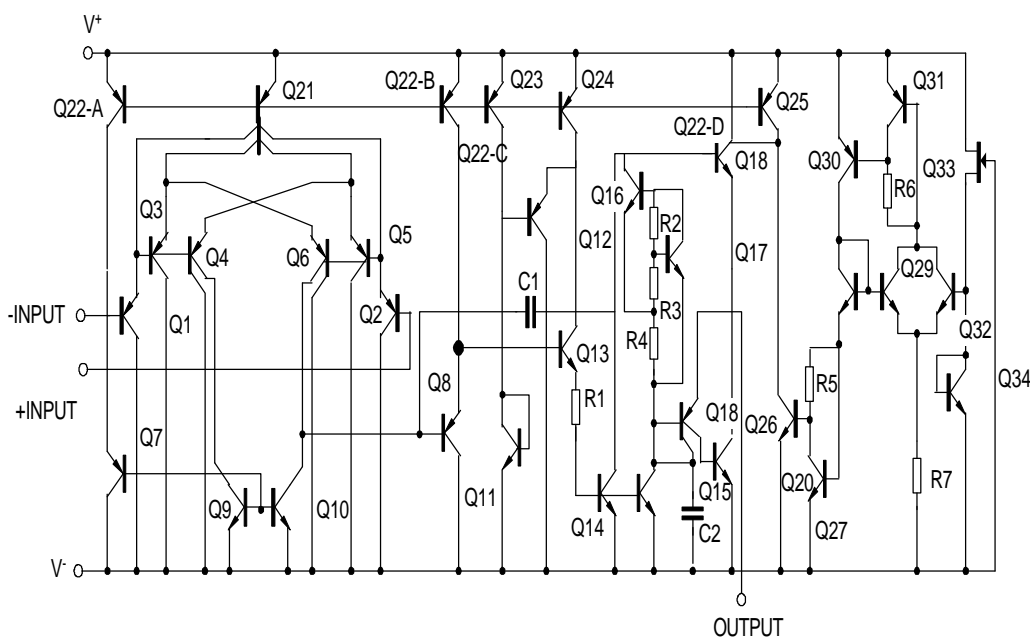


### PIN CONFIGURATIONS



# UTC3414 LINEAR INTEGRATED CIRCUIT

## BLOCK DIAGRAM



## ABSOLUTE MAXIMUM RATINGS(Ta=25°C)

PARAMETER	SYMBOL	VALUE	UNIT
Supply Voltage	V+(V+/V-)	15V (or +-7.5)	V
Differential Input Voltage	V <sub>id</sub>	15	V
Input Voltage	V <sub>i</sub>	-0.3 ~ +15	V
Power Dissipation	P <sub>d</sub>	300	mW
Operating Temperature	T <sub>opr</sub>	-20 to +75	°C
Storage Temperature	T <sub>stg</sub>	-40 to +125	°C

## ELECTRICAL CHARACTERISTICS(Ta=25°C, V+=8.6V)

PARAMETER	SYMBOL	TEST CONDITIONS	MIN	TYP	MAX	UNIT
Input Offset Voltage	V <sub>io</sub>	R <sub>s</sub> =0Ω		2	5	mV
Input Offset Current	I <sub>io</sub>			5	100	nA
Input Bias Current	I <sub>b</sub>			100	500	nA
Large Signal Voltage Gain	A <sub>v</sub>	R <sub>L</sub> =2kΩ	88	100		dB
Input Common Voltage Range	V <sub>icm</sub>		V+ - 2			V
Maximum Output Voltage Swing 1	V <sub>OM1</sub>	R <sub>L</sub> ≥ 2kΩ, V+ = 5V	3.5			V
Maximum Output Voltage Swing 2	V <sub>OM2</sub>	I <sub>o</sub> = 70mA, V+ = 5V	3.2			V
Common Mode Rejection Ratio	CMR		80	90		dB

# UTC3414                      LINEAR INTEGRATED CIRCUIT

PARAMETER	SYMBOL	TEST CONDITIONS	MIN	TYP	MAX	UNIT
Supply Voltage Rejection Ratio	SVR		80	90		dB
Operating Current	I <sub>cc</sub>	R <sub>L</sub> =∞	3	4	5	mA
Slew Rate	SR			1.0		V/μs
Unity Gain Bandwidth	GB			1.3		MHz
Operating Voltage Range	V <sup>+</sup>				15	V