



T-1³/₄ (5 mm) Precision Optical Performance AlInGaP LED Lamps

Data Sheet

SunPower Series

HLMP-ELxx

HLMP-EJxx

HLMP-EHxx

HLMP-EGxx

Features

- **Well Defined Spatial Radiation Patterns**
- **Viewing Angles:** 6°, 15°, 23°, 30°
- **High Luminous Output**
- **Colors:**
 - 590 nm Amber
 - 605 nm Orange
 - 615 nm Reddish-Orange
 - 626 nm Red
- **High Operating Temperature:**
 $T_J \text{ LED} = +130^\circ\text{C}$
- **Superior Resistance to Moisture**
- **Package Options:**
With or Without Lead Stand-Offs

Benefits

- **Viewing Angles Match Traffic Management Sign Requirements**
- **Colors Meet Automotive and Pedestrian Signal Specifications**
- **Superior Performance in Outdoor Environments**
- **Suitable for Autoinsertion onto PC Boards**

Applications

- **Traffic Management:**
 - Traffic Signals
 - Pedestrian Signals
 - Work Zone Warning Lights
 - Variable Message Signs
- **Commercial Outdoor Advertising:**
 - Signs
 - Marquees
- **Automotive:**
 - Exterior and Interior Lights

Description

These Precision Optical Performance AlInGaP LEDs provide superior light output for excellent readability in sunlight and are extremely reliable. AlInGaP LED technology provides extremely stable light output over long periods of time. Precision Optical Performance lamps utilize the aluminum indium gallium phosphide (AlInGaP) technology.

These LED lamps are untinted, nondiffused, T-1³/₄ packages incorporating second generation optics producing well defined spatial radiation patterns at specific viewing cone angles.



These lamps are made with an advanced optical grade epoxy, offering superior high temperature and high moisture resistance performance in outdoor signal and sign applications. The high maximum LED junction temperature limit of +130°C enables high temperature operation in bright sunlight conditions. The package epoxy contains both uv-a and uv-b inhibitors to reduce the effects of long term exposure to direct sunlight.

These lamps are available in two package options to give the designer flexibility with device mounting.

Device Selection Guide

Typical Viewing Angle $2\theta_{1/2}$ (Deg.) ^[4]	Color and Dominant Wavelength (nm), Typ. ^[3]	Lamps Without Standoffs on Leads (Outline Drawing A)	Lamps With Standoffs on Leads (Outline Drawing B)	Luminous Intensity I_v (mcd) ^[1,2] @ 20 mA	
				Min.	Max.
6° ^[5]	Amber 590	HLMP-EL08-VY000	HLMP-EL10-VY000	3600	13800
		HLMP-EL08-VYK00*		3600	13800
		HLMP-EL08-VXK00*		3600	10700
		HLMP-EL08-VX400**		3600	10700
		HLMP-EL08-VX000		3600	10700
		HLMP-EL08-WZ000	HLMP-EL10-WZ000	4700	18400
		HLMP-EL08-XZ400**		6200	18400
		HLMP-EL08-XZ000		6200	18400
		HLMP-EL08-XZK00*		6200	18400
		HLMP-EL08-XY000		6200	13800
		HLMP-EL08-XYK00*		6200	13800
		HLMP-EL08-X1K00*		6200	24100
		HLMP-EL08-X1000	HLMP-EL10-X1000	6200	24100
	Orange 605	HLMP-EJ08-WZ000	HLMP-EJ10-WZ000	4700	18400
		HLMP-EJ08-X1000	HLMP-EJ10-X1000	6200	24100
		HLMP-EJ08-Y2000	HLMP-EJ10-Y2000	8000	31000
	Red-Orange 615	HLMP-EH08-UX000	HLMP-EH10-UX000	2750	10700
		HLMP-EH08-VY000	HLMP-EH10-VY000	3600	13800
		HLMP-EH08-WZ000	HLMP-EH10-WZ000	4700	18400
		HLMP-EH08-X1000	HLMP-EH10-X1000	6200	24100
		HLMP-EH08-Y2000	HLMP-EH10-Y2000	8000	31000
	Red 626	HLMP-EG08-VW000		3600	8300
		HLMP-EG08-VY000	HLMP-EG10-VY000	3600	13800
		HLMP-EG08-WZ000	HLMP-EG10-WZ000	4700	18400
		HLMP-EG08-X1000	HLMP-EG10-X1000	6200	24100
		HLMP-EG08-YZ000		8000	18400
		HLMP-EG08-Y1000		8000	24100
		HLMP-EG08-Y2000	HLMP-EG10-Y2000	8000	31000

Notes:

1. The luminous intensity is measured on the mechanical axis of the lamp package.
2. The optical axis is closely aligned with the package mechanical axis.
3. The dominant wavelength, λ_d , is derived from the CIE Chromaticity Diagram and represents the color of the lamp.
4. $\theta_{1/2}$ is the off-axis angle where the luminous intensity is one half the on-axis intensity.
5. The intensity of narrow viewing angle lamps is measured at the intensity peak.

Part numbers in **bold** are recommended for new designs.

*HLMP-xLxx-xxK00 are selected to amber color bins 2 and 4 only.

**HLMP-xLxx-xx400 are selected to amber color bin 4 only.

Device Selection Guide (Continued)

Typical Viewing Angle 2θ _{1/2} (Deg.) ^[4]	Color and Dominant Wavelength (nm), Typ. ^[3]	Lamps Without Standoffs on Leads (Outline Drawing A)	Lamps With Standoffs on Leads (Outline Drawing B)	Luminous Intensity I _v (mcd) ^[1,2] @ 20 mA		
				Min.	Max.	
15°	Amber 590	HLMP-EL15-PS000	HLMP-EL17-PS000	765	2900	
		HLMP-EL15-QR000		1000	2200	
		HLMP-EL15-QRK00*		1000	2200	
		HLMP-EL15-QS000		1000	2900	
		HLMP-EL15-QS400**		1000	2900	
		HLMP-EL15-QSK00*		1000	2900	
		HLMP-EL15-QT000	HLMP-EL17-QT000	1000	3700	
		HLMP-EL15-QTK00*		1000	3700	
		HLMP-EL15-RU000	HLMP-EL17-RU000	1300	4800	
			HLMP-EL17-SV000	1650	6300	
		HLMP-EL15-TW000	HLMP-EL17-TW000	2170	8300	
		HLMP-EL15-TWK00*		2170	8300	
		HLMP-EL15-TUK00*		2170	4800	
		HLMP-EL15-TV400**		2170	6300	
		HLMP-EL15-UX000	HLMP-EL17-UX000	2750	10700	
		HLMP-EL15-VY000	HLMP-EL17-VY000	3600	13800	
		HLMP-EL15-VYK00*		3600	13800	
		HLMP-EL15-VX000		3600	10700	
		HLMP-EL15-VXK00*		3600	10700	
		HLMP-EL15-VX400**		3600	10700	
	HLMP-EL15-VW000*		3600	8300		
	HLMP-EL15-VWK00*		3600	8300		
	Orange 605	HLMP-EJ15-PS000			765	2900
		HLMP-EJ15-RU000	HLMP-EJ17-RU000		1300	4800
		HLMP-EJ15-SV000	HLMP-EJ17-SV000		1650	6300
	Red-Orange 615	HLMP-EH15-QT000	HLMP-EH17-QT000		1000	3700
		HLMP-EH15-RU000	HLMP-EH17-RU000		1300	4800
HLMP-EH15-TW000		HLMP-EH17-TW000		2170	8300	
HLMP-EH15-UX000		HLMP-EH17-UX000		2750	10700	

Notes:

1. The luminous intensity is measured on the mechanical axis of the lamp package.
2. The optical axis is closely aligned with the package mechanical axis.
3. The dominant wavelength, λ_d, is derived from the CIE Chromaticity Diagram and represents the color of the lamp.
4. θ_{1/2} is the off-axis angle where the luminous intensity is one half the on-axis intensity.
5. The intensity of narrow viewing angle lamps is measured at the intensity peak.

Part numbers in **bold** are recommended for new designs.

*HLMP-xLxx-xxK00 are selected to amber color bins 2 and 4 only.

**HLMP-xLxx-xx400 are selected to amber color bin 4 only.

Device Selection Guide (Continued)

Typical Viewing Angle 20 ^{1/2} (Deg.) ^[4]	Color and Dominant Wavelength (nm), Typ. ^[3]	Lamps Without Standoffs on Leadson Leads (Outline Drawing A)	Luminous Lamps With Standoffs @ 20 mA (Outline Drawing B)	Intensity I _v (mcd) ^[1,2]	
				Min.	Max.
15°	Red 626	HLMP-EG15-PS000		765	2900
		HLMP-EG15-QT000	HLMP-EG17-QT000	1000	3700
		HLMP-EG15-RU000	HLMP-EG17-RU000	1300	4800
		HLMP-EG15-UX000	HLMP-EG17-UX000	2750	10700
		HLMP-EG15-TW000	HLMP-EG17-TW000	2170	8300
23°	Amber 590	HLMP-EL24-MQ000		450	1730
		HLMP-EL24-NR000	HLMP-EL26-NR000	590	2200
		HLMP-EL24-PS000	HLMP-EL26-PS000	765	2900
		HLMP-EL24-PSK00*		765	2900
		HLMP-EL24-PR400**		765	2200
		HLMP-EL24-PQK00*		765	1730
		HLMP-EL24-QR000		1000	2200
		HLMP-EL24-QRK00*		1000	2200
		HLMP-EL24-QS000		1000	2900
		HLMP-EL24-QSK00*		1000	2900
		HLMP-EL24-QS400**		1000	2900
		HLMP-EL24-QT000	HLMP-EL26-QT000	1000	3700
		HLMP-EL24-QTK00*		1000	3700
		HLMP-EL24-RU000	HLMP-EL26-RU000	1300	4800
		HLMP-EL24-RUK00*		1300	4800
			HLMP-EL26-SV000	1650	6300
		HLMP-EL24-ST000		1650	3700
		HLMP-EL24-STK00*		1650	3700
		HLMP-EL24-SU000		1650	4800
		HLMP-EL24-SUK00*		1650	4800
		HLMP-EL24-SU400**		1650	4800
		HLMP-EL24-SV000		1650	6300
HLMP-EL24-SVK00*		1650	6300		
HLMP-EL24-TW000	HLMP-EL26-TW000	2170	8300		
HLMP-EL24-TWK00*		2170	8300		

Notes:

1. The luminous intensity is measured on the mechanical axis of the lamp package.
2. The optical axis is closely aligned with the package mechanical axis.
3. The dominant wavelength, λ_d , is derived from the CIE Chromaticity Diagram and represents the color of the lamp.
4. $\theta_{1/2}$ is the off-axis angle where the luminous intensity is one half the on-axis intensity.
5. The intensity of narrow viewing angle lamps is measured at the intensity peak.

Part numbers in **bold** are recommended for new designs.

*HLMP-xLxx-xxK00 are selected to amber color bins 2 and 4 only.

**HLMP-xLxx-xx400 are selected to amber color bin 4 only.

Device Selection Guide (Continued)

Typical Viewing Angle $2\theta_{1/2}$ (Deg.) ^[4]	Color and Dominant Wavelength (nm), Typ. ^[3]	Lamps Without Standoffs on Leads (Outline Drawing A)	Lamps With Standoffs on Leads (Outline Drawing B)	Luminous Intensity I_v (mcd) ^[1,2] @ 20 mA		
				Min.	Max.	
23°	Orange 605	HLMP-EJ24-QT000	HLMP-EJ26-QT000	1000	3700	
		HLMP-EJ24-RU000	HLMP-EJ26-RU000	1300	4800	
	Red-Orange 615		HLMP-EH26-PS000	765	2900	
		HLMP-EH24-QT000	HLMP-EH26-QT000	1000	3700	
		HLMP-EH24-RU000	HLMP-EH26-RU000	1300	4800	
	Red 626		HLMP-EH24-SV000	HLMP-EH26-SV000	1650	6300
		HLMP-EG24-PS000	HLMP-EG26-PS000	765	2900	
		HLMP-EG24-QT000	HLMP-EG26-QT000	1000	3700	
		HLMP-EG24-RU000	HLMP-EG26-RU000	1300	4800	
30°	Amber 590	HLMP-EL30-MQ000	HLMP-EL32-MQ000	450	1730	
		HLMP-EL30-NR000	HLMP-EL32-NR000	590	2200	
		HLMP-EL30-PQ000		765	1730	
		HLMP-EL30-PQK00*		765	1730	
		HLMP-EL30-PR000		765	2200	
		HLMP-EL30-PR400**		765	2200	
		HLMP-EL30-PRK00*		765	2200	
		HLMP-EL30-PS000	HLMP-EL32-PS000	765	2900	
		HLMP-EL30-PSK00*		765	2900	
		HLMP-EL30-QT000	HLMP-EL32-QT000	1000	3700	
		HLMP-EL30-QTK00*		1000	3700	
		HLMP-EL30-QS000		1000	2900	
		HLMP-EL30-QS400**		1000	2900	
		HLMP-EL30-QRK00*		1000	2200	
		HLMP-EL30-SU000		1650	4800	
		HLMP-EL30-SUK00*		1650	4800	
		HLMP-EL30-SU400**		1650	4800	
HLMP-EL30-ST000		1650	3700			

Notes:

1. The luminous intensity is measured on the mechanical axis of the lamp package.
2. The optical axis is closely aligned with the package mechanical axis.
3. The dominant wavelength, λ_d , is derived from the CIE Chromaticity Diagram and represents the color of the lamp.
4. $\theta_{1/2}$ is the off-axis angle where the luminous intensity is one half the on-axis intensity.
5. The intensity of narrow viewing angle lamps is measured at the intensity peak.

Part numbers in **bold** are recommended for new designs.

*HLMP-xLxx-xxK00 are selected to amber color bins 2 and 4 only.

**HLMP-xLxx-xx400 are selected to amber color bin 4 only.

Device Selection Guide (Continued)

Typical Viewing Angle $2\theta_{1/2}$ (Deg.) ^[4]	Color and Dominant Wavelength (nm), Typ. ^[3]	Lamps Without Standoffs on Leads (Outline Drawing A)	Lamps With Standoffs on Leads (Outline Drawing B)	Luminous Intensity I_v (mcd) ^[1,2] @ 20 mA	
				Min.	Max.
30°	Amber	HLMP-EL30-STK00*		1650	3700
		HLMP-EL30-SV000		1650	6300
		HLMP-EL30-SVK00*		1650	6300
			HLMP-EL32-SV000	1650	6300
	Orange 605	HLMP-EJ30-MQ000		450	1730
		HLMP-EJ30-NR000	HLMP-EJ32-NR000	590	2200
		HLMP-EJ30-PS000	HLMP-EJ32-PS000	765	2900
	Red-Orange 615	HLMP-EH30-MQ000	HLMP-EH32-MQ000	450	1730
		HLMP-EH30-NR000	HLMP-EH32-NR000	590	2200
		HLMP-EH30-PS000	HLMP-EH32-PS000	765	2900
		HLMP-EH30-QT000	HLMP-EH32-QT000	1000	3700
		HLMP-EH30-RU000	HLMP-EH32-RU000	1300	4800
	Red 626	HLMP-EG30-KN000		270	1010
		HLMP-EG30-MQ000	HLMP-EG32-MQ000	450	1730
		HLMP-EG30-NQ000		590	1730
		HLMP-EG30-NR000	HLMP-EG32-NR000	590	2200
		HLMP-EG30-PQ000		765	1730
		HLMP-EG30-PR000		765	2200
		HLMP-EG30-PS000	HLMP-EG32-PS000	765	2900
		HLMP-EG30-QT000	HLMP-EG32-QT000	1000	3700

Notes:

1. The luminous intensity is measured on the mechanical axis of the lamp package.
2. The optical axis is closely aligned with the package mechanical axis.
3. The dominant wavelength, λ_d , is derived from the CIE Chromaticity Diagram and represents the color of the lamp.
4. $\theta_{1/2}$ is the off-axis angle where the luminous intensity is one half the on-axis intensity.
5. The intensity of narrow viewing angle lamps is measured at the intensity peak.

Part numbers in **bold** are recommended for new designs.

*HLMP-xLxx-xxK00 are selected to amber color bins 2 and 4 only.

**HLMP-xLxx-xx400 are selected to amber color bin 4 only.

Part Numbering System

HLMP - x x xx - x x x xx

Mechanical Options

00: Bulk Packaging
 DD: Ammo Pack
 YY: Flexi-Bin; Bulk Packaging
 ZZ: Flexi-Bin; Ammo Pack

Color Bin Selections

0: No color bin limitation
 4: Amber color bin 4 only
 K: Amber color bins 2 and 4 only

Maximum Intensity Bin

0: No Iv bin limitation

Minimum Intensity Bin

Viewing Angle & Lead Stand Offs

08: 6 deg without lead stand offs
 10: 6 deg with lead stand offs
 15: 15 deg without lead stand offs
 17: 15 deg with lead stand offs
 24: 23 deg without lead stand offs
 26: 23 deg with lead stand offs
 30: 30 deg without lead stand offs
 32: 30 deg with lead stand offs

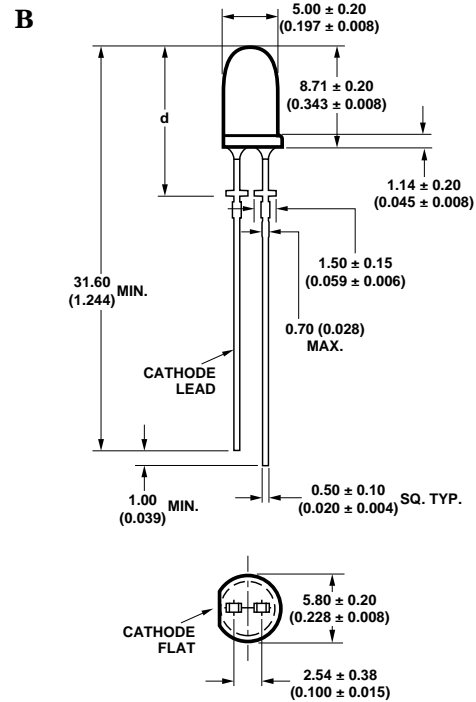
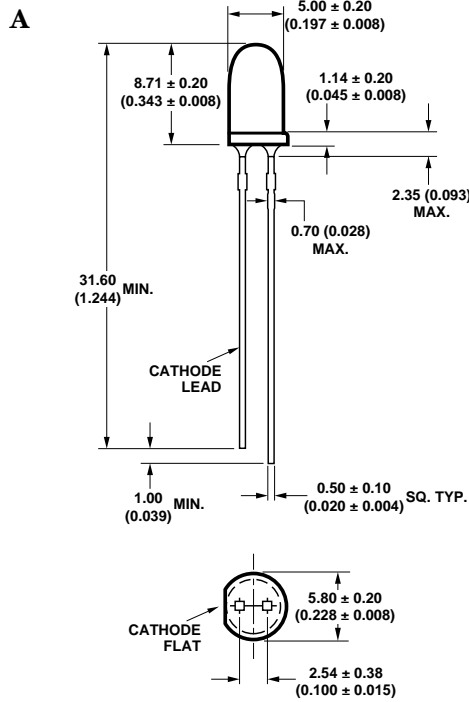
Color

G: 626 nm Red
 H: 615 nm Red-Orange
 J: 605 nm Orange
 L: 590 nm Amber

Package

E: 5 mm Round

Package Dimensions



NOTES:

- ALL DIMENSIONS ARE IN MILLIMETERS (INCHES).
- LEADS ARE MILD STEEL, SOLDER DIPPED.
- TAPERS SHOWN AT TOP OF LEADS (BOTTOM OF LAMP PACKAGE) INDICATE AN EPOXY MENISCUS THAT MAY EXTEND ABOUT 1 mm (0.040 in.) DOWN THE LEADS.
- RECOMMENDED PC BOARD HOLE DIAMETERS:
 - LAMP PACKAGE A WITHOUT STAND-OFFS: FLUSH MOUNTING AT BASE OF LAMP PACKAGE = $1.143/1.067$ ($0.044/0.042$).
 - LAMP PACKAGE B WITH STAND-OFFS: MOUNTING AT LEAD STAND-OFFS = $0.965/0.889$ ($0.038/0.035$).
- FOR DOME HEIGHTS ABOVE LEAD STAND-OFF SEATING PLANE, d , LAMP PACKAGE B, SEE TABLE.

PART NO.	d
HLMP-XX10	12.37 ± 0.25 (0.487 ± 0.010)
HLMP-XX17	12.42 ± 0.25 (0.489 ± 0.010)
HLMP-XX26	12.52 ± 0.25 (0.493 ± 0.010)
HLMP-XX32	11.96 ± 0.25 (0.471 ± 0.010)

Absolute Maximum Ratings at $T_A = 25^\circ\text{C}$

DC Forward Current ^[1,2,3]	50 mA
Peak Pulsed Forward Current ^[2,3]	100 mA
Average Forward Current ^[3]	30 mA
Reverse Voltage ($I_R = 100 \mu\text{A}$)	5 V
LED Junction Temperature	130°C
Operating Temperature	-40°C to +100°C
Storage Temperature	-40°C to +120°C
Dip/Drag Soldering Temperature	260°C for 6 seconds
Through-the-Wave Preheat Temperature	145°C
Through-the-Wave Solder Temperature	245°C for 3 seconds
[1.59 mm (0.060 in.) below seating plane]	

Notes:

1. Derate linearly as shown in Figure 4.
2. For long term performance with minimal light output degradation, drive currents between 10 mA and 30 mA are recommended. For more information on recommended drive conditions, please refer to Application Brief I-024 (5966-3087E).
3. Operating at currents below 1 mA is not recommended. Please contact your local representative for further information.

Electrical/Optical Characteristics at $T_A = 25^\circ\text{C}$

Parameter	Symbol	Min.	Typ.	Max.	Units	Test Conditions
Forward Voltage Amber ($\lambda_d = 590 \text{ nm}$) Orange ($\lambda_d = 605 \text{ nm}$) Red-Orange ($\lambda_d = 615 \text{ nm}$) Red ($\lambda_d = 626 \text{ nm}$)	V_F		2.02 1.98 1.94 1.90	2.4	V	$I_F = 20 \text{ mA}$
Reverse Voltage	V_R	5	20		V	$I_F = 100 \mu\text{A}$
Peak Wavelength: Amber ($\lambda_d = 590 \text{ nm}$) Orange ($\lambda_d = 605 \text{ nm}$) Red-Orange ($\lambda_d = 615 \text{ nm}$) Red ($\lambda_d = 626 \text{ nm}$)	λ_{PEAK}		592 609 621 635		nm	Peak of Wavelength of Spectral Distribution at $I_F = 20 \text{ mA}$
Spectral Halfwidth	$\Delta\lambda_{1/2}$		17		nm	Wavelength Width at Spectral Distribution $1/2$ Power Point at $I_F = 20 \text{ mA}$
Speed of Response	τ_s		20		ns	Exponential Time Constant, e^{-t/τ_s}
Capacitance	C		40		pF	$V_F = 0, f = 1 \text{ MHz}$
Thermal Resistance	$R\theta_{\text{J-PIN}}$		240		°C/W	LED Junction-to-Cathode Lead
Luminous Efficacy ^[1] Amber ($\lambda_d = 590 \text{ nm}$) Orange ($\lambda_d = 605 \text{ nm}$) Red-Orange ($\lambda_d = 615 \text{ nm}$) Red ($\lambda_d = 626 \text{ nm}$)	η_v		480 370 260 150		lm/W	Emitted Luminous Power/Emitted Radiant Power

Note:

1. The radiant intensity, I_e , in watts per steradian, may be found from the equation $I_e = I_v/\eta_v$, where I_v is the luminous intensity in candelas and η_v is the luminous efficacy in lumens/watt.

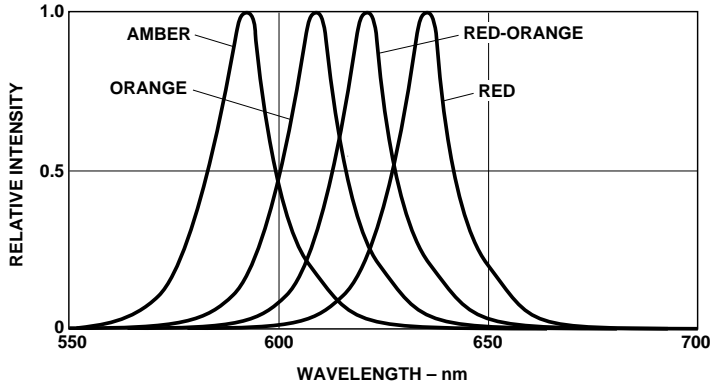


Figure 1. Relative Intensity vs. Peak Wavelength.

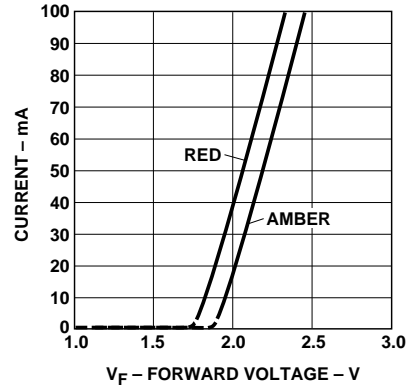


Figure 2. Forward Current vs. Forward Voltage.

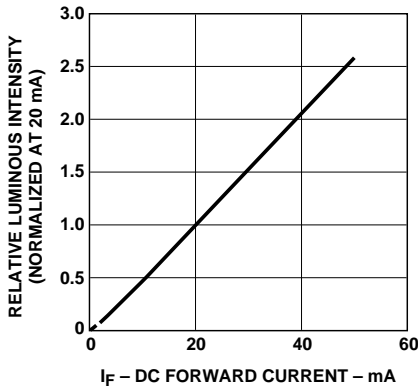


Figure 3. Relative Luminous Intensity vs. Forward Current.

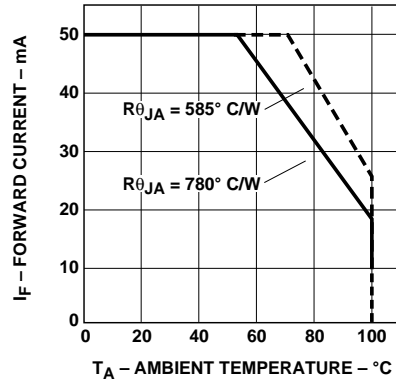


Figure 4. Maximum Forward Current vs. Ambient Temperature. Derating Based on $T_{JMAX} = 130^\circ\text{C}$.

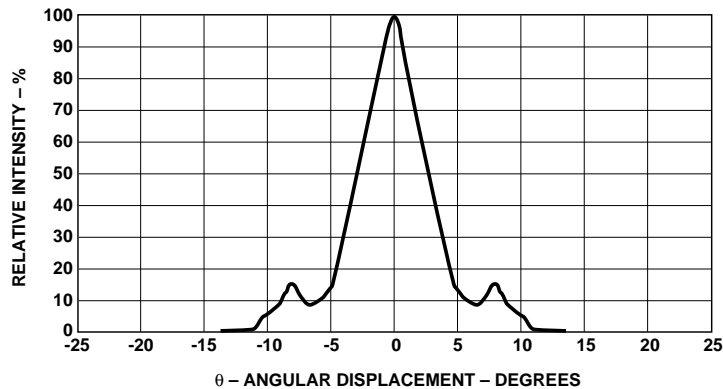


Figure 5. Representative Spatial Radiation Pattern for 6° Viewing Angle Lamps.

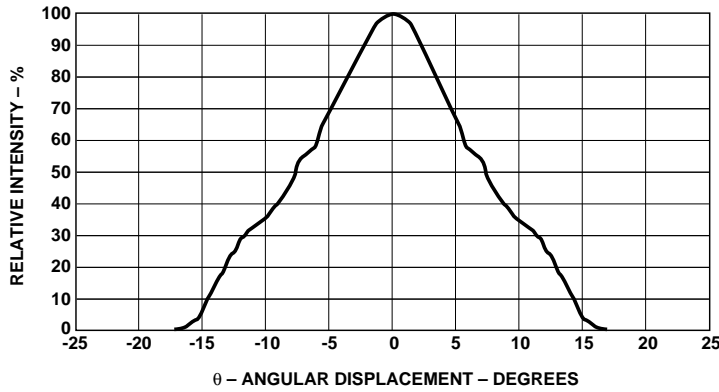


Figure 6. Representative Spatial Radiation Pattern for 15° Viewing Angle Lamps.

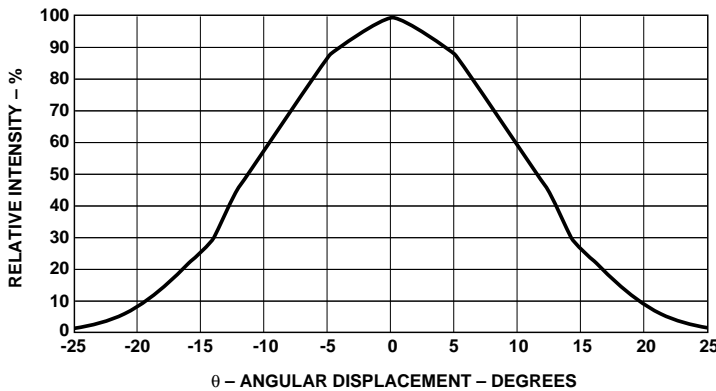


Figure 7. Representative Spatial Radiation Pattern for 23° Viewing Angle Lamps.

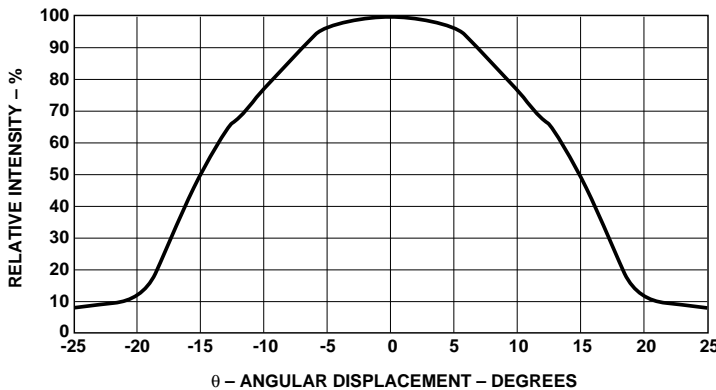


Figure 8. Representative Spatial Radiation Pattern for 30° Viewing Angle Lamps.

Intensity Bin Limits (mcd at 20 mA)

Bin Name	Min.	Max.
K	310	400
L	400	520
M	520	680
N	680	880
P	880	1150
Q	1150	1500
R	1500	1900
S	1900	2500
T	2500	3200
U	3200	4200
V	4200	5500
W	5500	7200
X	7200	9300
Y	9300	12000
Z	12000	16000
1	16000	21000
2	21000	27000

Tolerance for each bin limit is ± 15%.

Amber Color Bin Limits (nm at 20 mA)

Bin Name	Min.	Max.
1	584.5	587.0
2	587.0	589.5
4	589.5	592.0
6	592.0	594.5

Tolerance for each bin limit is ± 0.5 nm.

Note:

1. Bin categories are established for classification of products. Products may not be available in all bin categories.



www.agilent.com/semiconductors

For product information and a complete list of distributors, please go to our web site.

For technical assistance call:

Americas/Canada: +1 (800) 235-0312 or
(408) 654-8675

Europe: +49 (0) 6441 92460

China: 10800 650 0017

Hong Kong: (+65) 271 2451

India, Australia, New Zealand: (+65) 271 2394

Japan: (+81 3) 3335-8152(Domestic/International),
or 0120-61-1280(Domestic Only)

Korea: (+65) 271 2194

Malaysia, Singapore: (+65) 271 2054

Taiwan: (+65) 271 2654

Data subject to change.

Copyright © 2002 Agilent Technologies, Inc.

Obsoletes 5988-0524EN

January 16, 2002

5988-4275EN