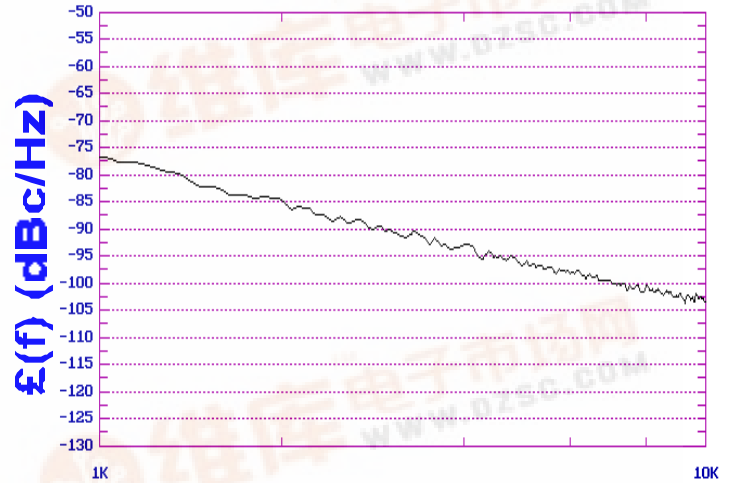


PHASE NOISE (1 Hz BW, typical)



OFFSET (Hz)

FEATURES	
• Frequency Range:	680 - 820 MHz
• Tuning Voltage:	1-8 Vdc
• MINI-14S - Style Package	
APPLICATIONS	
• Basestations	
• Portable Radios	
• Mobile Communications	

PERFORMANCE SPECIFICATIONS	VALUE	UNITS
Oscillation Frequency Range	680 - 820	MHz
Phase Noise @ 10 kHz offset (1 Hz BW, typ.)	-103	dBc/Hz
Harmonic Suppression (2nd, typ.)	-5	dBc
Tuning Voltage	1-8	Vdc
Tuning Sensitivity (avg.)	33	MHz/V
Power Output	12.5±3.5	dBm
Load Impedance	50	Ω
Input Capacitance (max.)	100	pF
Pushing	<2	MHz/V
Pulling (14 dB Return Loss, Any Phase)	<10	MHz
Operating Temperature Range	-30 to 75	°C
Package Style	MINI-14S	
POWER SUPPLY REQUIREMENTS		
Supply Voltage (Vcc, nom.)	8.4	Vdc
Supply Current (Icc, typ.)	30	mA

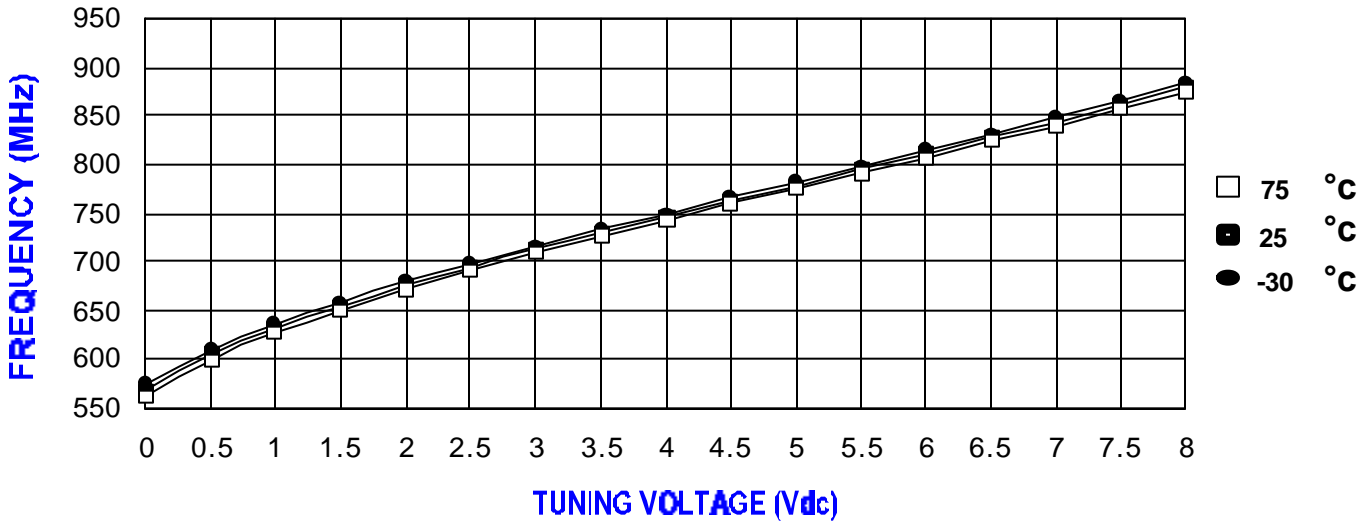
All specifications are typical unless otherwise noted and subject to change without notice.

APPLICATION NOTES
<ul style="list-style-type: none"> • AN-100/1 : Mounting and Grounding of VCOs • AN-102 : Proper Output Loading of VCOs • AN-107 : How to Solder Z-COMM VCOs

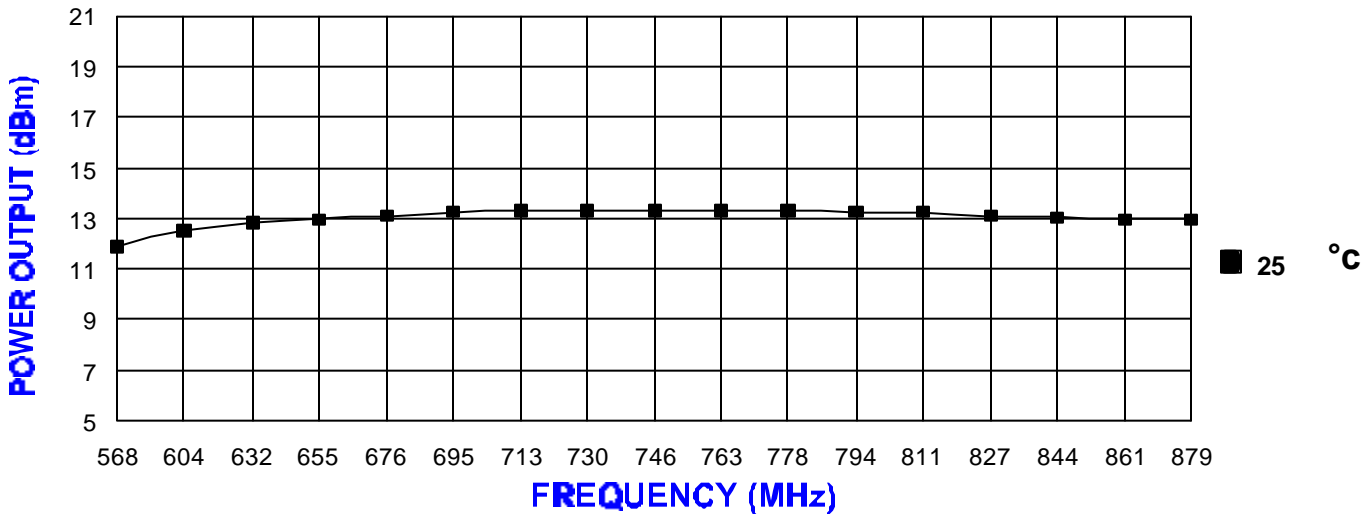
NOTES:



TUNING CURVE, typ.

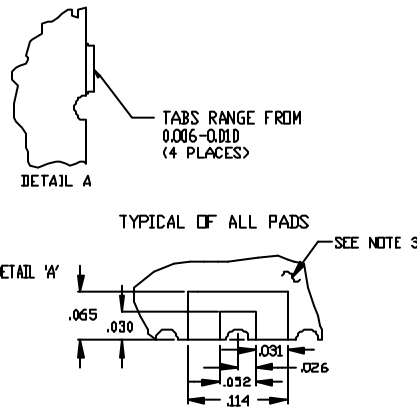
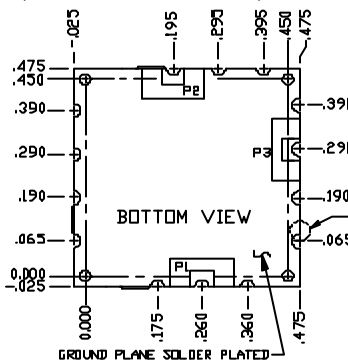


POWER CURVE, typ.



PHYSICAL DIMENSIONS

MINI-14S
415-0062 REV. B
(DRAWING NOT TO SCALE)



- NOTES:**
1. THE INSIDE RADIUS OF ALL 14 HALF HOLES AT THE PERIMETER OF THE BOARD ARE SOLDER PLATED TO PROVIDE A SURFACE FOR THE ATTACHMENT OF THE VCO TO A MOTHERBOARD, IN 11 LOCATIONS, WITH 3 PADS BEING USED FOR ELECTROMECHANICAL INTERFACE, 14 SOLDER LOCATIONS REQUIRED. THE SURFACE OF THE SHIELD IS TIN PLATED AND MAY BE SOLDERED TO. THE SHIELD'S BASE METAL IS BRASS.
 2. THE GROUND PLANE IS GROUND AND ATTACHES TO A GROUND TRACK ON THE UPPER SIDE OF THE BOARD AS WELL AS THE SHIELD BY PTH.
 3. UNLESS OTHERWISE NOTED ALL DIMENSIONS ARE IN INCHES.
 4. UNLESS OTHERWISE NOTED ALL TOLERANCES ARE AS FOLLOWS:
TOLERANCES
.XXX = ± .010
- P1=VT
P2=RF OUT
P3=VCC

