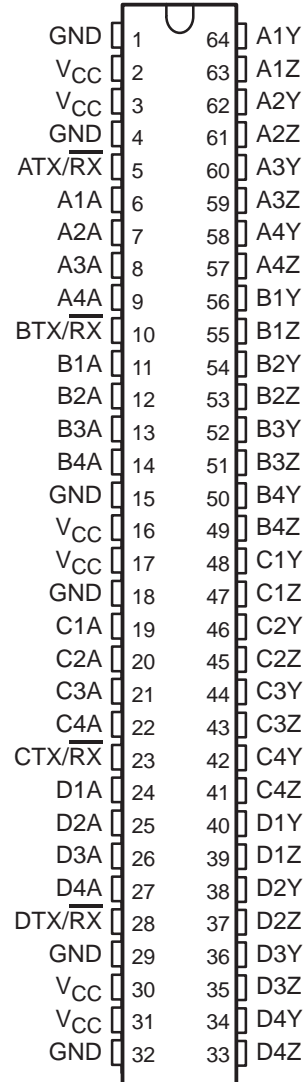


- Sixteen Low-Voltage Differential Transceivers Designed for Signaling Rates† Up to 630 Mbps
- Simplex (Point-to-Point) and Half-Duplex (Multipoint) Interface
- Typical Differential Output Voltage of 340 mV Into a 50-Ω Load
- Integrated 110-Ω Line Termination on 'LVDM1677 Product
- Propagation Delay Time:
 - Driver: 2.5 ns Typ
 - Receiver: 3 ns Typ
- Recommended Maximum Transfer Rate:
 - Driver: 650 M-Transfers/s
 - Receiver: 350 M-Transfers/s
- Driver is High Impedance When Disabled or With $V_{CC} < 1.5$ V for Power Up/Down Glitch-Free Performance and Hot-Plugging Events
- Bus-Terminal ESD Protection Exceeds 12 kV
- Low-Voltage TTL (LVTTTL) Logic Input Levels Are 5-V Tolerant
- Packaged in Thin Shrink Small-Outline Package With 20 mil Terminal Pitch

SN65LVDM1676DGG (Marked as LVDM1676)
 SN65LVDM1677DGG (Marked as LVDM1677)
 (TOP VIEW)



description

The SN65LVDM1676 and SN65LVDM1677 (integrated termination) are sixteen differential line drivers and receivers configured as transceivers that use low-voltage differential signaling (LVDS) to achieve signaling rates in excess of 600 Mbps. These products are similar to TIA/EIA-644 standard compliant devices (SN65LVDS) counterparts except that the output current of the drivers are doubled. This modification provides a minimum differential output voltage magnitude of 247 mV into a 50-Ω load and allows double-terminated lines and half-duplex operation. The receivers detect a voltage difference of 100 mV with up to 1 V of ground potential difference between a transmitter and receiver.



Please be aware that an important notice concerning availability, standard warranty, and use in critical applications of Texas Instruments semiconductor products and disclaimers thereto appears at the end of this data sheet.

† Signaling rate, 1/t, where t is the minimum unit interval and is expressed in the units bits/s (bits per second)

PRODUCTION DATA information is current as of publication date. Products conform to specifications per the terms of Texas Instruments standard warranty. Production processing does not necessarily include testing of all parameters.

SN65LVDM1676, SN65LVDM1677 HIGH-SPEED DIFFERENTIAL LINE TRANSCEIVERS

SLLS430B – NOVEMBER 2000 – REVISED OCTOBER 2004

description (continued)

The intended application of this device and signaling technique is for point-to-point baseband data transmission over controlled impedance media of approximately 100 Ω. The transmission media may be printed-circuit board traces, backplanes, or cables. The large number of transceivers integrated into the same substrate along with the low pulse skew of balanced signaling, allows extremely precise timing alignment of clock and data for synchronous parallel data transfers. (Note: The ultimate rate and distance of data transfer is dependent upon the attenuation characteristics of the media, the noise coupling to the environment, and other system characteristics.)

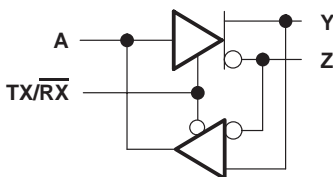
The SN65LVDM1676 and SN65LVDM1677 are characterized for operation from –40°C to 85°C.

FUNCTION TABLE

INPUTS		OUTPUTS			
(Y – Z)	TX/RX	A	Y	Z	A
$V_{ID} \geq 100 \text{ mV}$	L	NA	Z	Z	H
$-100 \text{ mV} < V_{ID} < 100 \text{ mV}$	L	NA	Z	Z	?
$V_{ID} \leq 100 \text{ mV}$	L	NA	Z	Z	L
Open circuit	L	NA	Z	Z	H
NA	H	L	L	H	Z
NA	H	H	H	L	Z

H = high level, L = low level, Z = high impedance, ? = indeterminate

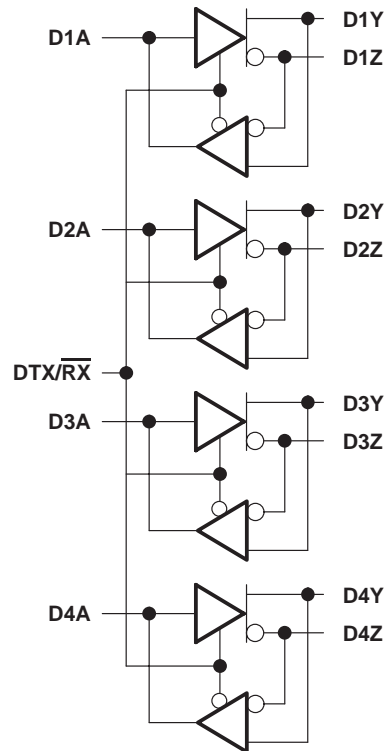
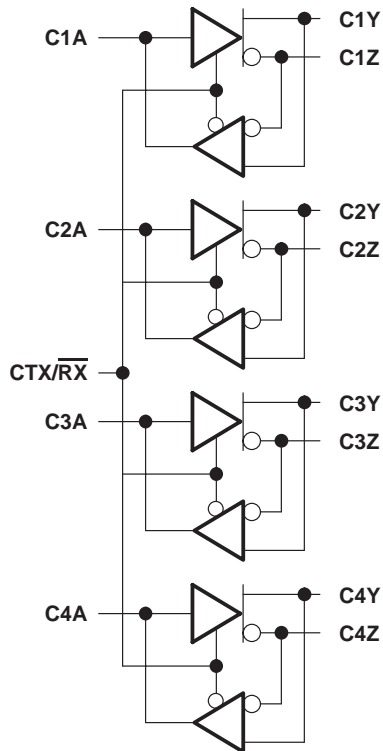
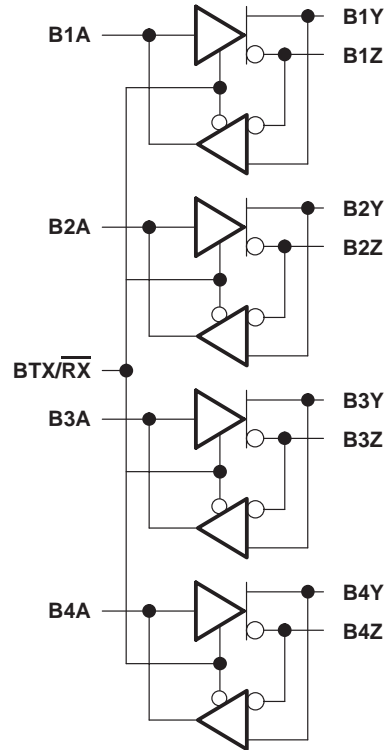
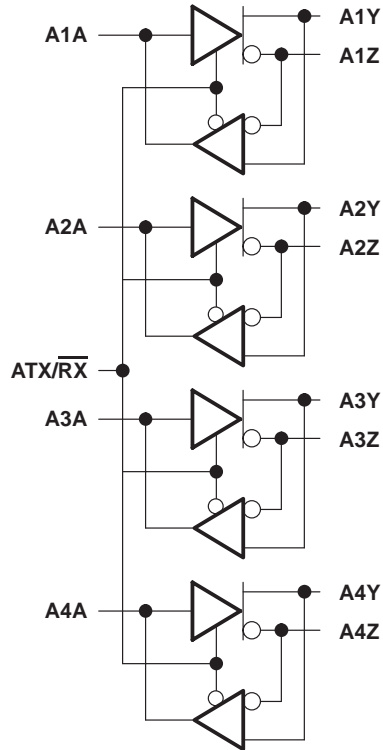
LVD Transceiver



SN65LVDM1676, SN65LVDM1677 HIGH-SPEED DIFFERENTIAL LINE TRANSCEIVERS

SLLS430B – NOVEMBER 2000 – REVISED OCTOBER 2004

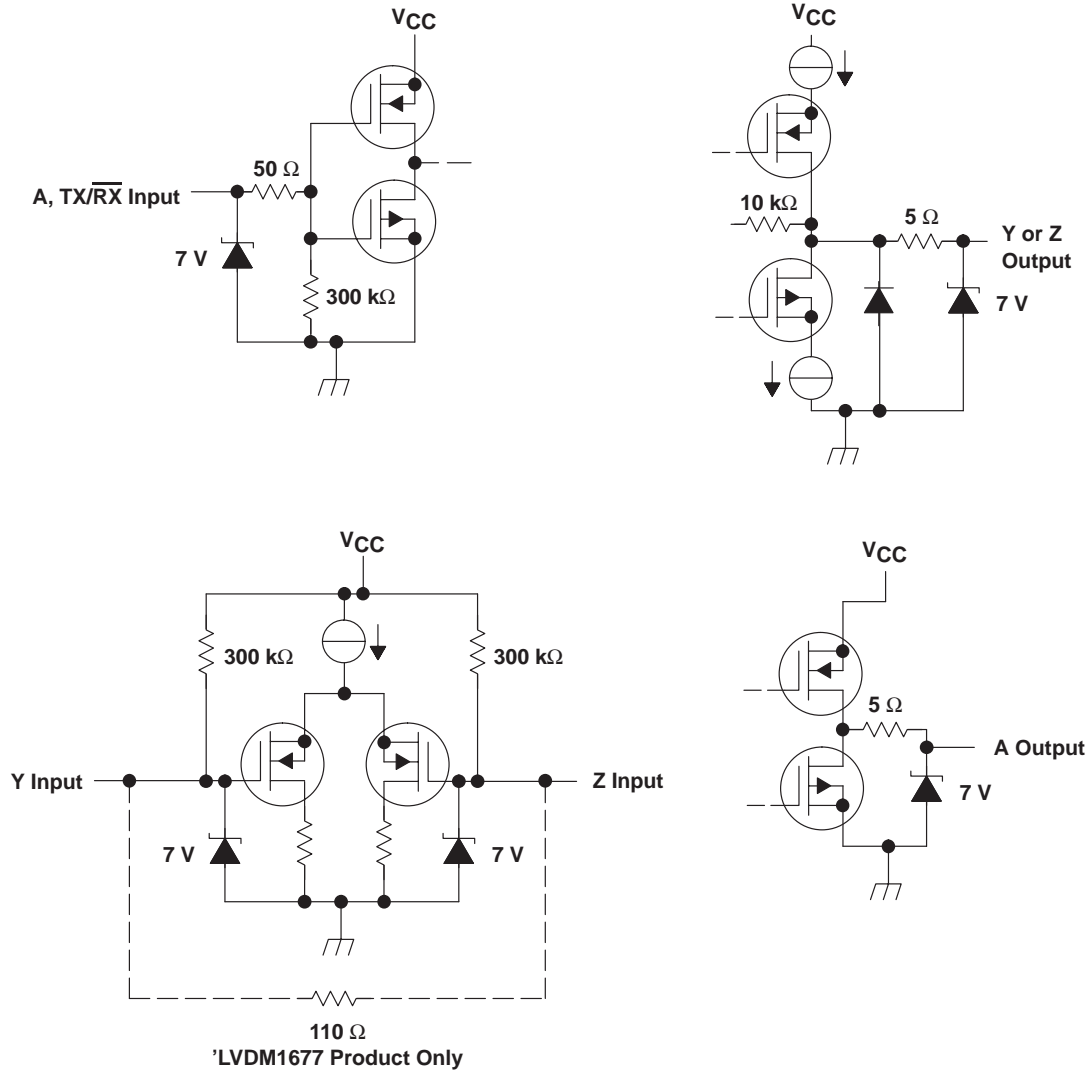
logic diagram (positive logic)



SN65LVDM1676, SN65LVDM1677 HIGH-SPEED DIFFERENTIAL LINE TRANSCEIVERS

SLLS430B – NOVEMBER 2000 – REVISED OCTOBER 2004

equivalent input and output schematic diagrams



SN65LVDM1676, SN65LVDM1677 HIGH-SPEED DIFFERENTIAL LINE TRANSCEIVERS

SLLS430B – NOVEMBER 2000 – REVISED OCTOBER 2004

absolute maximum ratings over operating free-air temperature (unless otherwise noted)†

Supply voltage range, V_{CC} (see Note 1)	–0.5 V to 4 V
Input voltage range: A, TX/RX	–0.5 V to 6 V
Y or Z	–0.5 V to 4 V
Differential input voltage magnitude, V_{ID} , (SN65LVDM1677 only)	1 V
Receiver output current, I_O	±20 mA
Electrostatic discharge: Y, Z, and GND (see Note 2)	Class 3, A:8 kV, B:600 V
Continuous power dissipation	Class 3, A:7 kV, B:500 V
Storage temperature range	–65°C to 150°C
Lead temperature 1,6 mm (1/16 inch) from case for 10 seconds	260°C

† Stresses beyond those listed under “absolute maximum ratings” may cause permanent damage to the device. These are stress ratings only, and functional operation of the device at these or any other conditions beyond those indicated under “recommended operating conditions” is not implied. Exposure to absolute-maximum-rated conditions for extended periods may affect device reliability.

- NOTES: 1. All voltage values, except differential I/O bus voltages, are with respect to network ground terminal.
 2. Tested in accordance with MIL-STD-883C Method 3015.7.
 3. This is the inverse of the junction-to-ambient thermal resistance when board-mounted and with no airflow.

DISSIPATION RATING TABLE

PACKAGE	T _A ≤ 25°C POWER RATING	OPERATING FACTOR‡ ABOVE T _A = 25°C	T _A = 85°C POWER RATING
DGG	2094 mW	16.7 mW/°C	1089 mW

‡ All typical values are at 25°C and with a 3.3-V supply.

recommended operating conditions

	MIN	NOM	MAX	UNIT
Supply voltage, V_{CC}	3	3.3	3.6	V
High-level input voltage, V_{IH}	2			V
Low-level input voltage, V_{IL}			0.8	V
Magnitude of differential input voltage, $ V_{ID} $	0.1		0.6	V
Common-mode input voltage, V_{IC}	$\frac{ V_{ID} }{2}$	$2.4 - \frac{ V_{ID} }{2}$		V
		$V_{CC} - 0.8$		V
Receiver low-level output current, I_{OL}			8	mA
Receiver high-level output current, I_{OH}	–8			mA
Operating free-air temperature, T _A	–40		85	°C

electrical characteristics over recommended operating free-air temperature range (unless otherwise noted)

device

PARAMETER	TEST CONDITIONS	MIN	TYP‡	MAX	UNIT
I _{CC} Supply current	Driver enabled, receiver disabled, R _L 50 Ω		140	175	mA
	Driver disabled, receiver enabled, no load		45	60	

‡ All typical values are at 25°C and with a 3.3-V supply.

SN65LVDM1676, SN65LVDM1677 HIGH-SPEED DIFFERENTIAL LINE TRANSCEIVERS

SLLS430B – NOVEMBER 2000 – REVISED OCTOBER 2004

electrical characteristics over recommended operating free-air temperature range (unless otherwise noted) (continued)

driver

PARAMETER		TEST CONDITIONS	MIN	TYP	MAX	UNIT
$ V_{OD} $	Differential output voltage magnitude	$R_L = 50 \Omega$, See Figure 1 and Figure 2	247	340	454	mV
$\Delta V_{OD} $	Change in differential output voltage magnitude between logic states		-50		50	
$V_{OC(SS)}$	Steady-state common-mode output voltage	See Figure 3	1.125		1.375	V
$\Delta V_{OC(SS)}$	Change in steady-state common-mode output voltage between logic states		-50		50	mV
$V_{OC(PP)}$	Peak-to-peak common-mode output voltage			50	150	mV
I_{IH}	High-level input current	$V_{IH} = 2 V$		3	20	μA
I_{IL}	Low-level input current	$V_{IL} = 0.8 V$		2	10	μA
I_{OS}	Short-circuit output current	V_{OY} or $V_{OZ} = 0 V$			10	mA
		$V_{OD} = 0 V$			10	mA
$I_{O(OFF)}$	Power-off output current	$V_{CC} = 1.5 V$, $V_O = 2.4 V$			± 10	μA
C_{IN}	Input capacitance	$V_I = 0.4 \sin(4E6pt) + 0.5 V$		5		pF

receiver

PARAMETER		TEST CONDITIONS	MIN	TYP†	MAX	UNIT
V_{IT+}	Positive-going differential input voltage threshold	See Figure 6 and Table 1			100	mV
V_{IT-}	Negative-going differential input voltage threshold		-100			
V_{OH}	High-level output voltage	$I_{OH} = -8 mA$	2.4			V
V_{OL}	Low-level output voltage	$I_{OL} = 8 mA$			0.4	V
I_I	Input current (Y or Z inputs)	$V_I = 0 V$		-24	-40	μA
		$V_I = 2.4 V$	-1.2	-8		
I_{ID}	Differential input current $ I_Y - I_Z $ (inputs)	'LVDM1676 $V_{IY} = 0 V$ and $V_{IZ} = 100 mV$, $V_{IY} = 2.4 V$ and $V_{IZ} = 2.3 V$		5	10	μA
		'LVDM1677 $V_{IY} = 0.2 V$ and $V_{IZ} = 0 V$, $V_{IY} = 2.4 V$ and $V_{IZ} = 2.2 V$	1.5		2.2	mA
$I_{I(OFF)}$	Power-off input current (Y or Z inputs)	$V_{CC} = 0 V$, $V_I = 2.4 V$			± 25	μA

† All typical values are at 25°C and with a 3.3-V supply.

SN65LVDM1676, SN65LVDM1677 HIGH-SPEED DIFFERENTIAL LINE TRANSCEIVERS

SLLS430B – NOVEMBER 2000 – REVISED OCTOBER 2004

switching characteristics over recommended operating free-air temperature range (unless otherwise noted)

driver

PARAMETER		TEST CONDITIONS	MIN	TYP	MAX	UNIT
t _{PLH}	Propagation delay time, low-to-high-level output	R _L = 50 Ω, C _L = 10 pF, See Figure 4	1.3	2.5	3.6	ns
t _{PHL}	Propagation delay time, high-to-low-level output		1.3	2.5	3.6	ns
t _r	Differential output signal rise time		0.5	1.2	ns	
t _f	Differential output signal fall time		0.5	1.2	ns	
t _{sk(p)}	Pulse skew (t _{PHL} – t _{PLH})		0.1	0.6	ns	
t _{sk(o)}	Channel-to-channel output skew†		0.1	0.4	ns	
t _{sk(pp)}	Part-to-part skew‡			1	ns	
t _{PZH}	Propagation delay time, high-impedance-to-high-level output	See Figure 5		11	20	ns
t _{PZL}	Propagation delay time, high-impedance-to-low-level output			10	20	ns
t _{PHZ}	Propagation delay time, high-level-to-high-impedance output			3	10	ns
t _{PLZ}	Propagation delay time, low-level-to-high-impedance output			3	10	ns

† t_{sk(o)} is the skew between specified outputs of a single device with all driving inputs connected together and the outputs switching in the same direction while driving identical specified loads.

‡ t_{sk(pp)} is the magnitude of the difference in propagation delay times between any specified terminals of two devices when both devices operate with the same supply voltages, at the same temperature, and have identical packages and test circuits.

receiver

PARAMETER		TEST CONDITIONS	MIN	TYP§	MAX	UNIT
t _{PLH}	Propagation delay time, low-to-high-level output	C _L = 10 pF, See Figure 7	1.5	3	4.5	ns
t _{PHL}	Propagation delay time, high-to-low-level output		1.5	3	4.5	ns
t _r	Output signal rise time		0.6	1.6	ns	
t _f	Output signal fall time		0.6	1.6	ns	
t _{sk(p)}	Pulse skew (t _{PHL} – t _{PLH})		0.2	0.8	ns	
t _{sk(o)}	Channel-to-channel output skew†		0.7	1.2	ns	
t _{sk(pp)}	Part-to-part skew‡		1	ns		
t _{PZH}	Propagation delay time, high-impedance-to-high-level output	See Figure 8		9	15	ns
t _{PZL}	Propagation delay time, high-impedance-to-low-level output	See Figure 8		8	15	ns
t _{PHZ}	Propagation delay time, high-level-to-high-impedance output	See Figure 8		12	20	ns
t _{PLZ}	Propagation delay time, low-level-to-high-impedance output			11	20	ns

† t_{sk(o)} is the skew between specified outputs of a single device with all driving inputs connected together and the outputs switching in the same direction while driving identical specified loads.

‡ t_{sk(pp)} is the magnitude of the difference in propagation delay times between any specified terminals of two devices when both devices operate with the same supply voltages, at the same temperature, and have identical packages and test circuits.

§ All typical values are at 25°C and with a 3.3-V supply.

SN65LVDM1676, SN65LVDM1677 HIGH-SPEED DIFFERENTIAL LINE TRANSCEIVERS

SLLS430B – NOVEMBER 2000 – REVISED OCTOBER 2004

PARAMETER MEASUREMENT INFORMATION

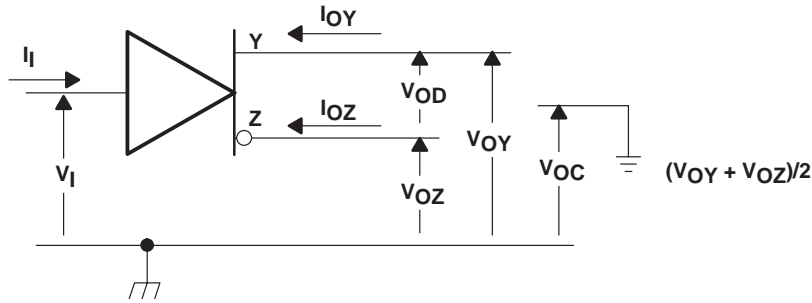


Figure 1. Driver Voltage and Current Definitions

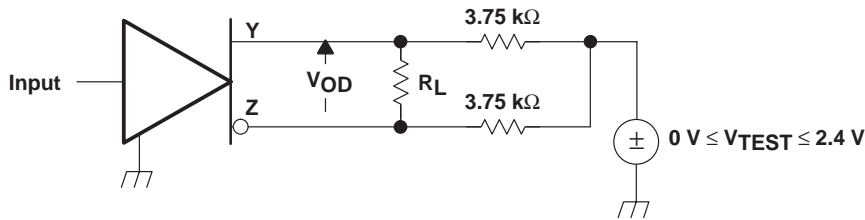
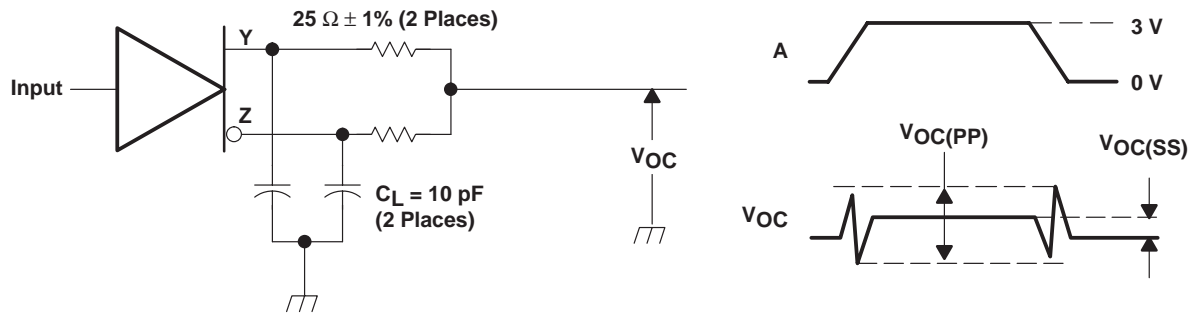


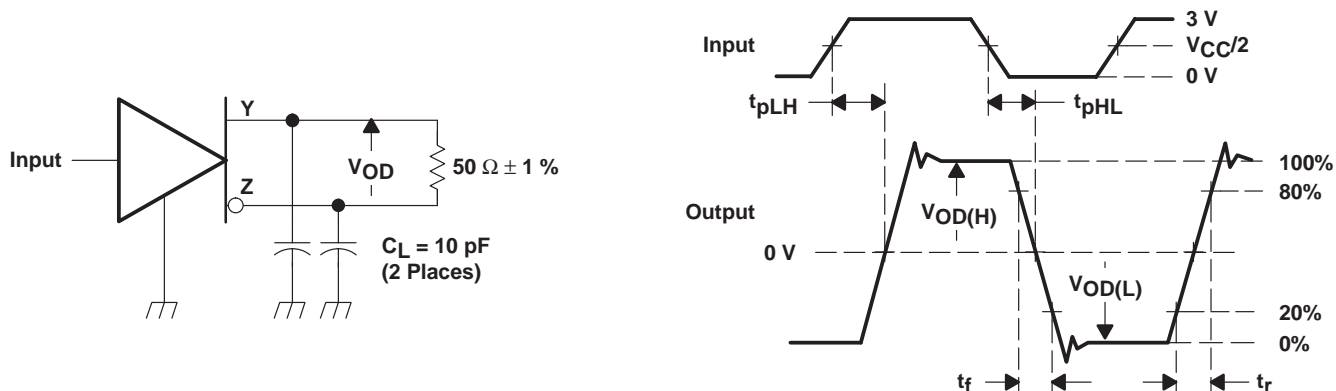
Figure 2. Driver V_{OD} Test Circuit



NOTE: All input pulses are supplied by a generator having the following characteristics: t_r or $t_f \leq 1$ ns, pulse repetition rate (PRR) = 0.5 Mpps, pulse width = 500 ± 10 ns. C_L includes instrumentation and fixture capacitance within 0,06 m of the D.U.T. The measurement of $V_{OC(PP)}$ is made on test equipment with a -3 dB bandwidth of at least 300 MHz.

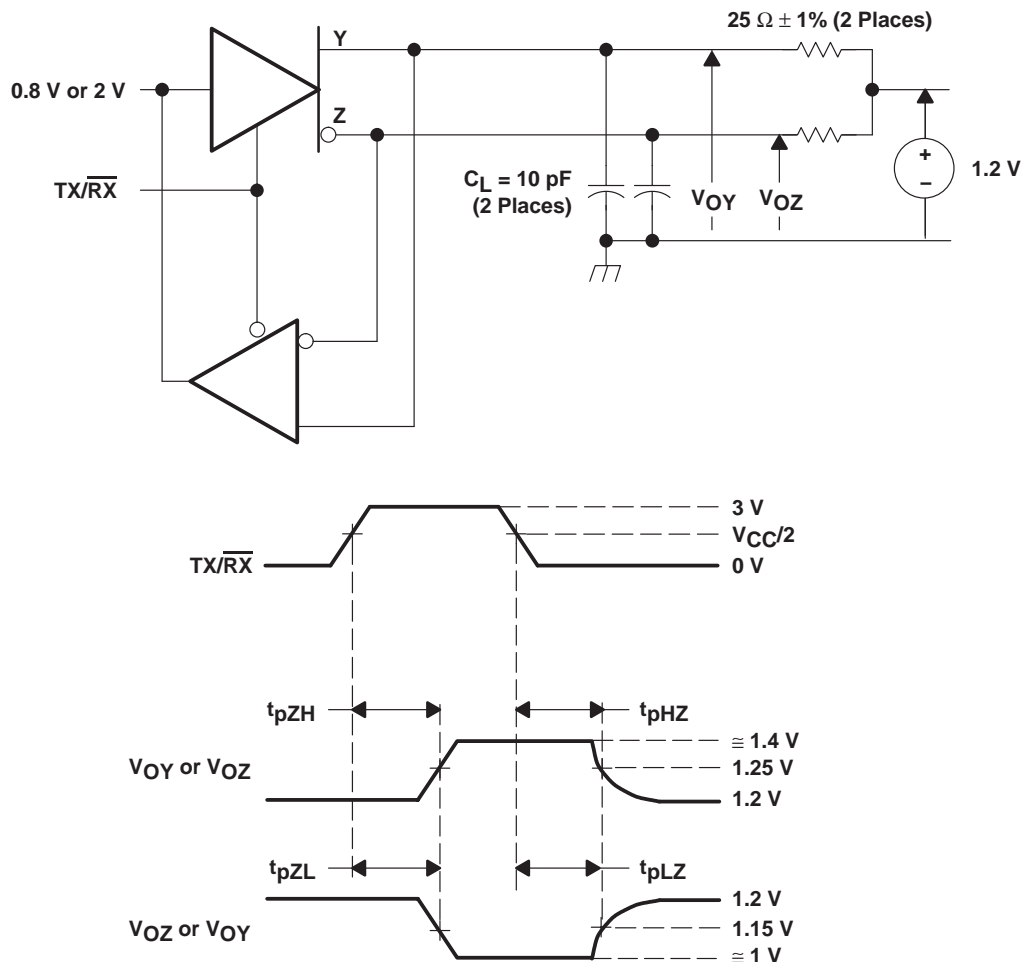
Figure 3. Test Circuit and Definitions for the Driver Common-Mode Output Voltage

PARAMETER MEASUREMENT INFORMATION



NOTE: All input pulses are supplied by a generator having the following characteristics: t_r or $t_f \leq 1$ ns, pulse repetition rate (PRR) = 0.5 Mpps, pulse width = 10 ± 0.2 ns. C_L includes instrumentation and fixture capacitance within 0,06 m of the D.U.T.

Figure 4. Test Circuit, Timing, and Voltage Definitions for the Differential Output Signal



NOTE: All input pulses are supplied by a generator having the following characteristics: t_r or $t_f \leq 1$ ns, pulse repetition rate (PRR) = 0.5 Mpps, pulse width = 500 ± 10 ns. C_L includes instrumentation and fixture capacitance within 0,06 m of the D.U.T.

Figure 5. Enable and Disable Time Circuit and Definitions

SN65LVDM1676, SN65LVDM1677 HIGH-SPEED DIFFERENTIAL LINE TRANSCEIVERS

SLLS430B – NOVEMBER 2000 – REVISED OCTOBER 2004

PARAMETER MEASUREMENT INFORMATION

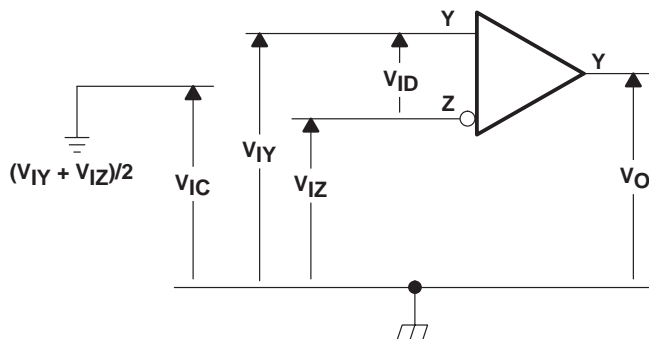
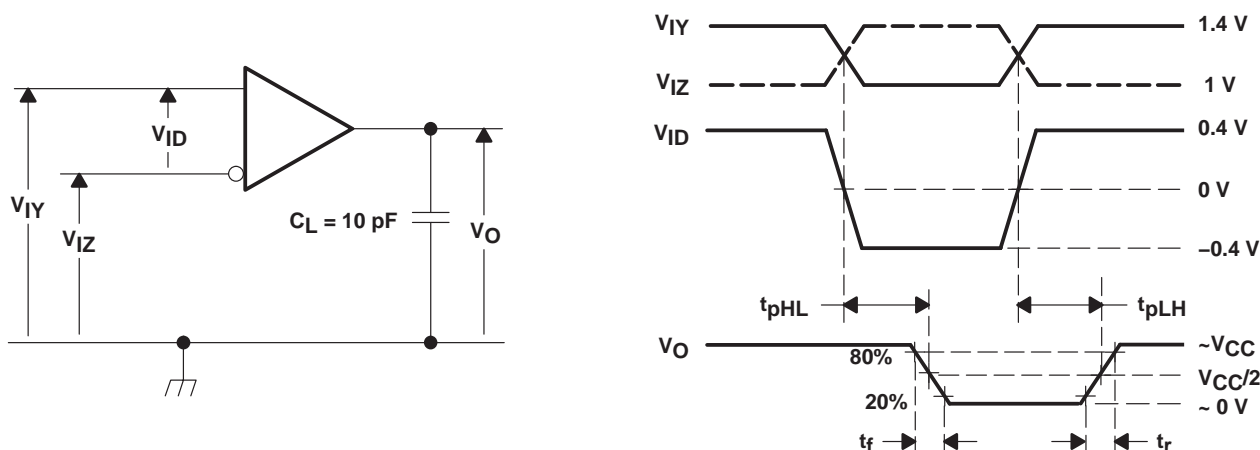


Figure 6. Voltage Definitions

Table 1. Receiver Minimum and Maximum Input Threshold Test Voltages

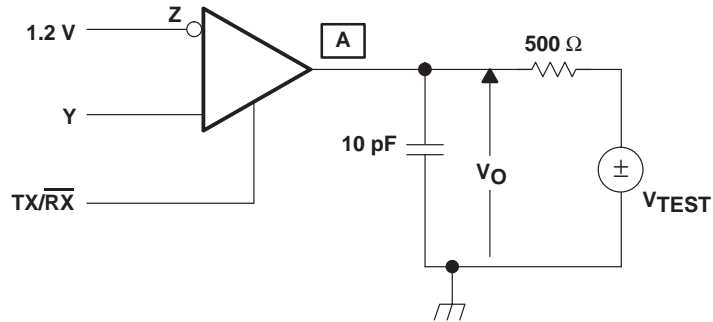
APPLIED VOLTAGES		RESULTING DIFFERENTIAL INPUT VOLTAGE	RESULTING COMMON-MODE INPUT VOLTAGE
V _{IY}	V _{IZ}	V _{ID}	V _{IC}
1.25 V	1.15 V	100 mV	1.2 V
1.15 V	1.25 V	-100 mV	1.2 V
2.4 V	2.3 V	100 mV	2.35 V
2.3 V	2.4 V	-100 mV	2.35 V
0.1 V	0 V	100 mV	0.05 V
0 V	0.1 V	-100 mV	0.05 V
1.5 V	0.9 V	600 mV	1.2 V
0.9 V	1.5 V	-600 mV	1.2 V
2.4 V	1.8 V	600 mV	2.1 V
1.8 V	2.4 V	-600 mV	2.1 V
0.6 V	0 V	600 mV	0.3 V
0 V	0.6 V	-600 mV	0.3 V



NOTE: All input pulses are supplied by a generator having the following characteristics: t_r or $t_f \leq 1$ ns, pulse repetition rate (PRR) = 0.5 Mpps, pulse width = 10 ± 0.2 ns. C_L includes instrumentation and fixture capacitance within 0,06 m of the D.U.T.

Figure 7. Timing Test Circuit and Waveforms

PARAMETER MEASUREMENT INFORMATION



NOTE: All input pulses are supplied by a generator having the following characteristics: t_r or $t_f \leq 1$ ns, pulse repetition rate (PRR) = 0.5 Mpps, pulse width = 500 ± 10 ns. C_L includes instrumentation and fixture capacitance within 0,06 m of the D.U.T.

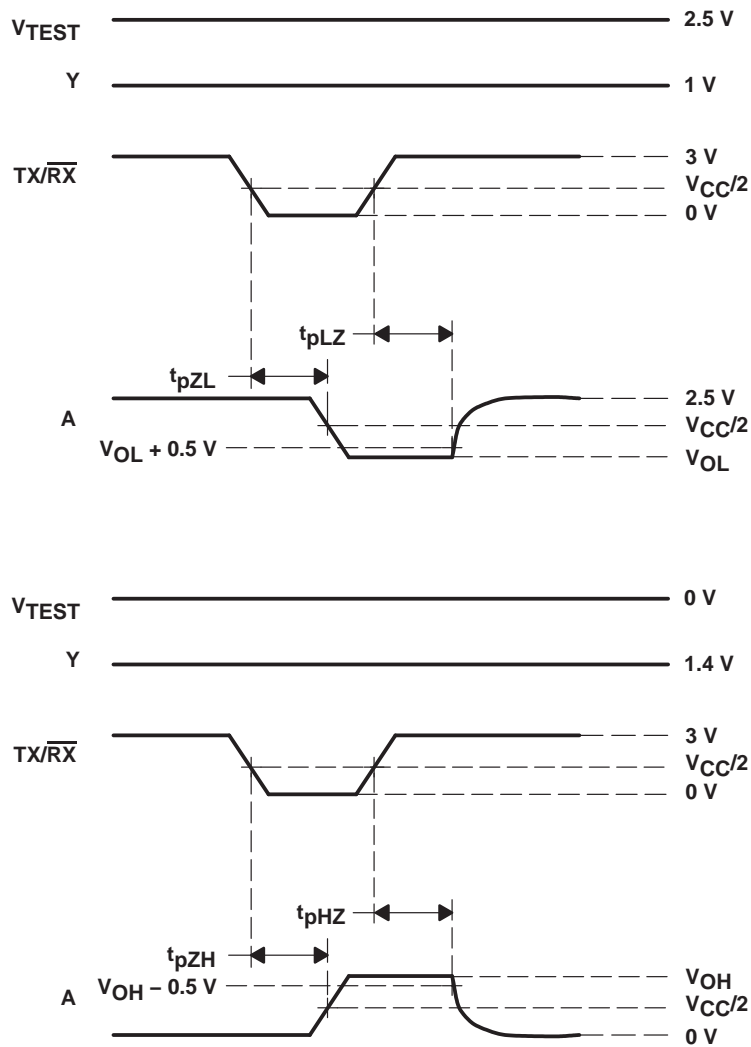


Figure 8. Enable/Disable Time Test Circuit and Waveforms

SN65LVDM1676, SN65LVDM1677 HIGH-SPEED DIFFERENTIAL LINE TRANSCEIVERS

SLLS430B – NOVEMBER 2000 – REVISED OCTOBER 2004

TYPICAL CHARACTERISTICS

COMMON-MODE INPUT VOLTAGE
vs
DIFFERENTIAL INPUT VOLTAGE

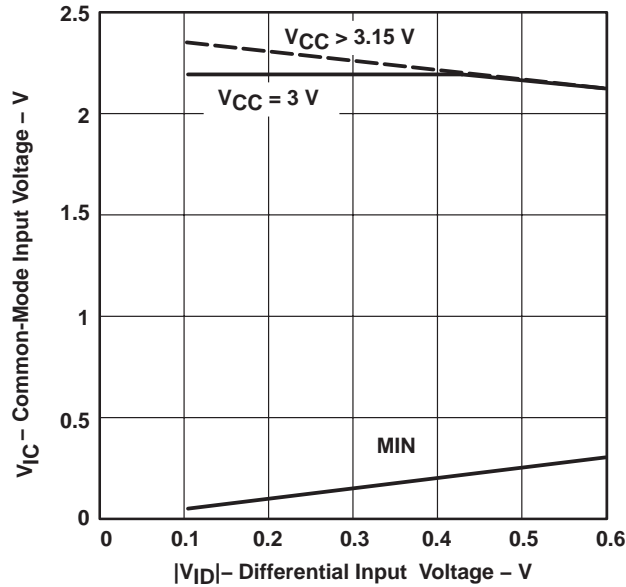


Figure 9

DRIVER
LOW-LEVEL OUTPUT VOLTAGE
vs
LOW-LEVEL OUTPUT CURRENT

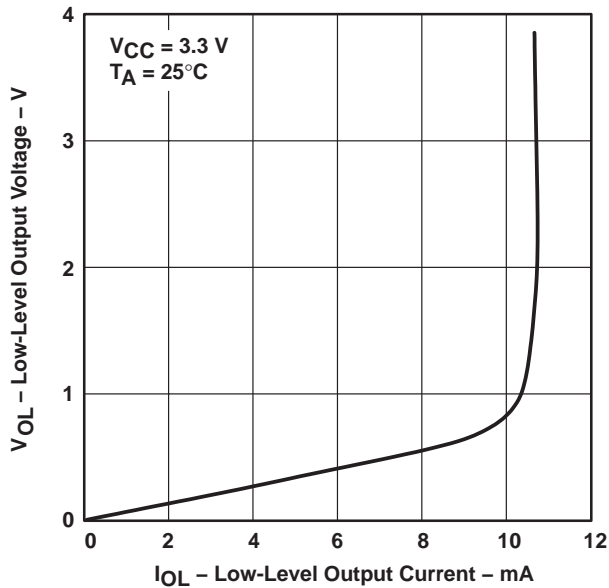


Figure 10

DRIVER
HIGH-LEVEL OUTPUT VOLTAGE
vs
HIGH-LEVEL OUTPUT CURRENT

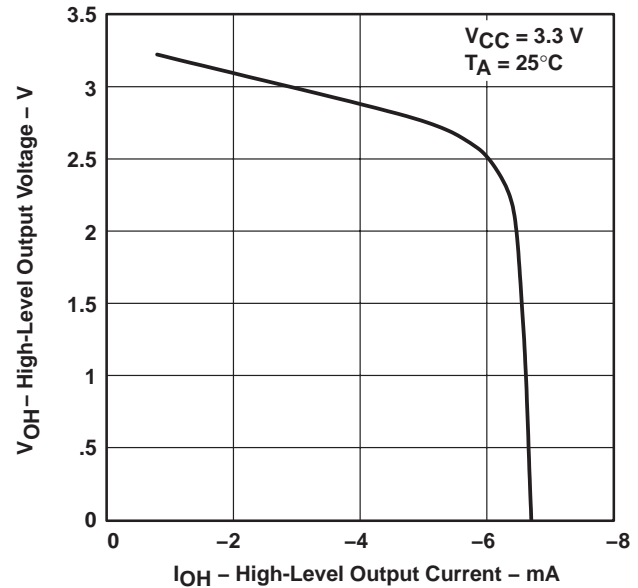


Figure 11

TYPICAL CHARACTERISTICS

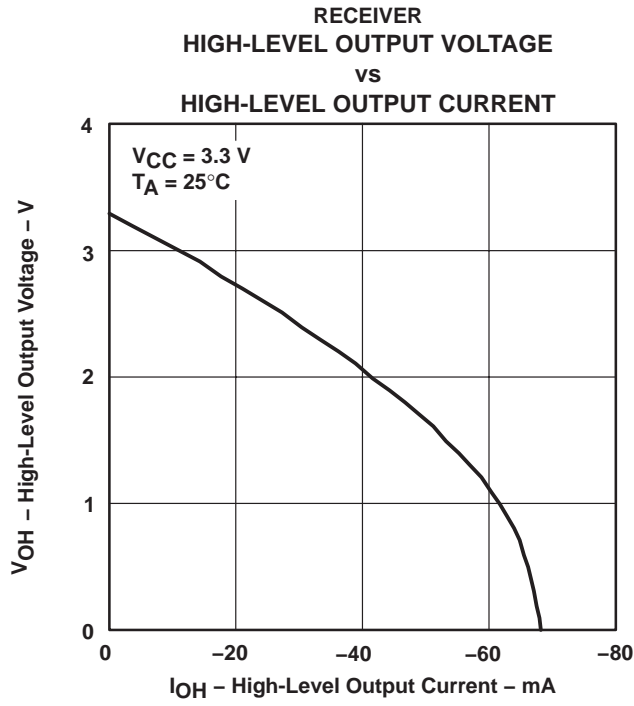


Figure 12

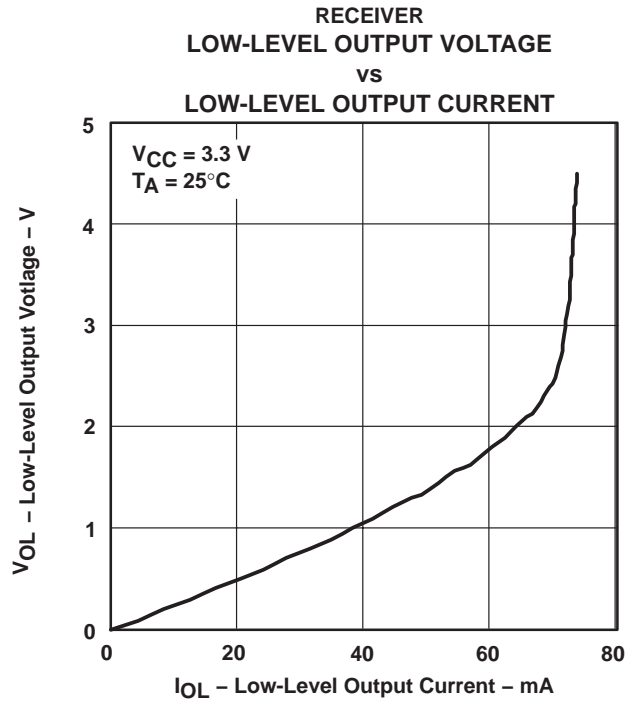


Figure 13

SN65LVDM1676, SN65LVDM1677 HIGH-SPEED DIFFERENTIAL LINE TRANSCEIVERS

SLLS430B – NOVEMBER 2000 – REVISED OCTOBER 2004

TYPICAL CHARACTERISTICS

driver eye pattern

test conditions

- $V_{CC} = 3.3\text{ V}$
- $T_A = 25^\circ\text{C}$ (ambient temperature)
- All 16 channels switching simultaneously with NRZ data. Scope is triggered at the same frequency with pulse. Input signal level = 0 to 3 V single ended.
- Resistive loading with no added capacitance

equipment

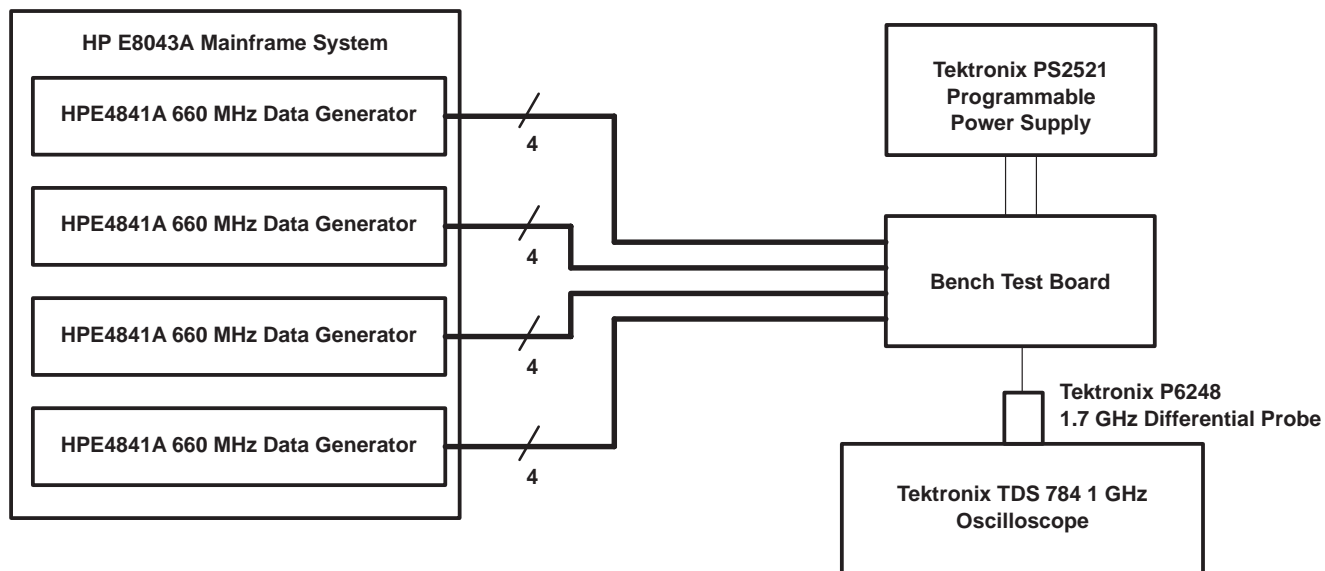
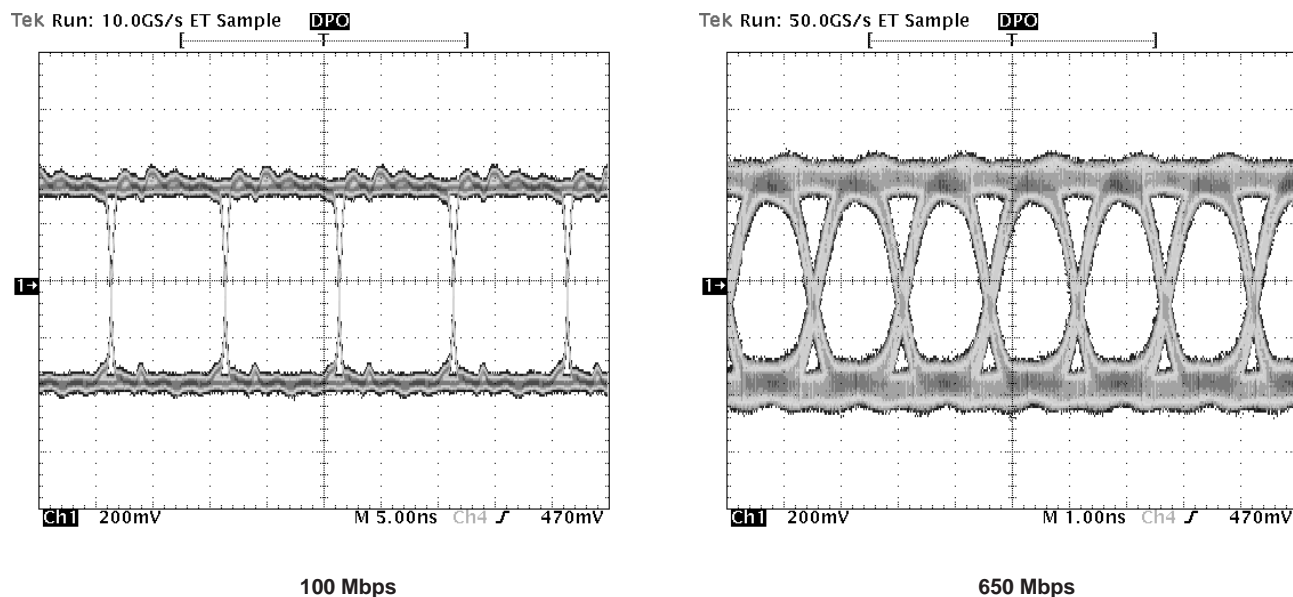


Figure 14. Driver Test Equipment Setup



100 Mbps

650 Mbps

Figure 15. Typical Driver Eye Pattern for the SN65LVDM1676

TYPICAL CHARACTERISTICS

receiver eye pattern

test conditions

- $V_{CC} = 3.3\text{ V}$
- $T_A = 25^\circ\text{C}$ (ambient temperature)
- All 16 channels switching simultaneously with NRZ data. Scope is pulse-triggered simultaneously with NRZ data. Input signal level is 1 V to 1.4 V differential.
- 50- Ω resistive loading with no added capacitance

equipment

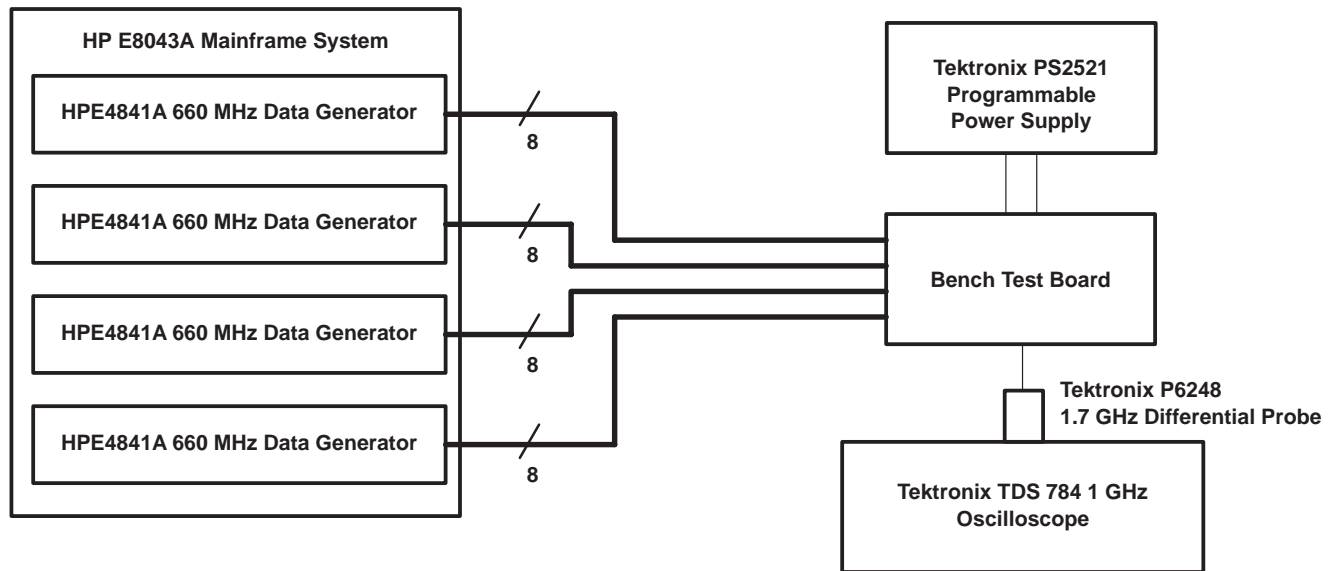


Figure 16. Receiver Test Equipment Setup

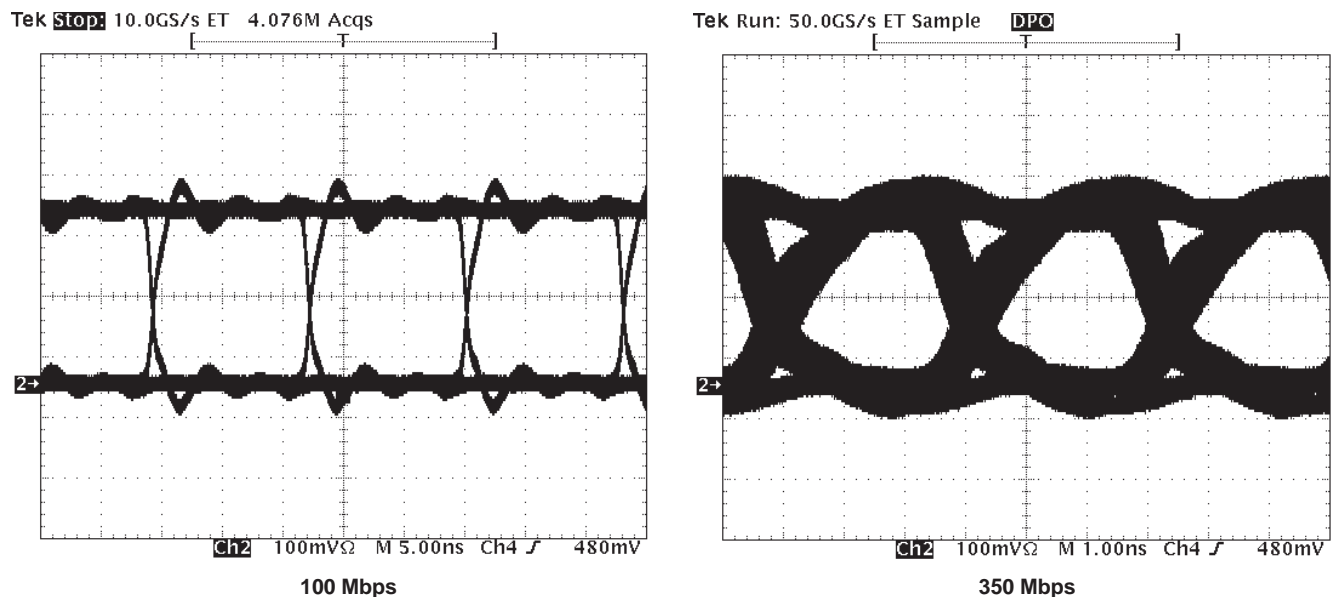


Figure 17. Typical Receiver Eye Pattern for the SN65LVDM1677

SN65LVDM1676, SN65LVDM1677 HIGH-SPEED DIFFERENTIAL LINE TRANSCEIVERS

SLLS430B – NOVEMBER 2000 – REVISED OCTOBER 2004

APPLICATION INFORMATION

fail safe

One of the most common problems with differential signaling applications is how the system responds when no differential voltage is present on the signal pair. The LVDS receiver is like most differential line receivers, in that its output logic state can be indeterminate when the differential input voltage is between -50 mV and 50 mV and within its recommended input common-mode voltage range. TI's LVDS receiver is different, however, in how it handles the open-input circuit situation.

Open-circuit means that there is little or no input current to the receiver from the data line itself. This could be when the driver is in a high-impedance state or the cable is disconnected. When this occurs, the LVDS receiver will pull each line of the signal pair to near V_{CC} through $300\text{-k}\Omega$ resistors as shown in Figure 18. The fail-safe feature uses an AND gate with input voltage thresholds at about 2.3 V to detect this condition and force the output to a high-level, regardless of the differential input voltage.

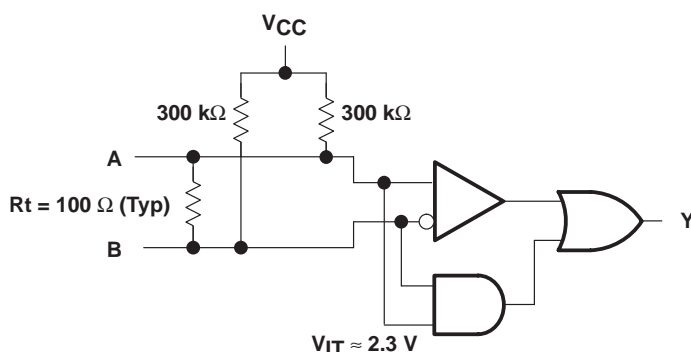


Figure 18. Open-Circuit Fail Safe of the LVDS Receiver

It is only under these conditions that the output of the receiver will be valid with less than a 50-mV differential input voltage magnitude. The presence of the termination resistor, R_t , does not affect the fail-safe function as long as it is connected as shown in the figure. Other termination circuits may allow a dc current to ground that could defeat the pullup currents from the receiver and the fail-safe feature.

SN65LVDM1676, SN65LVDM1677 HIGH-SPEED DIFFERENTIAL LINE TRANSCEIVERS

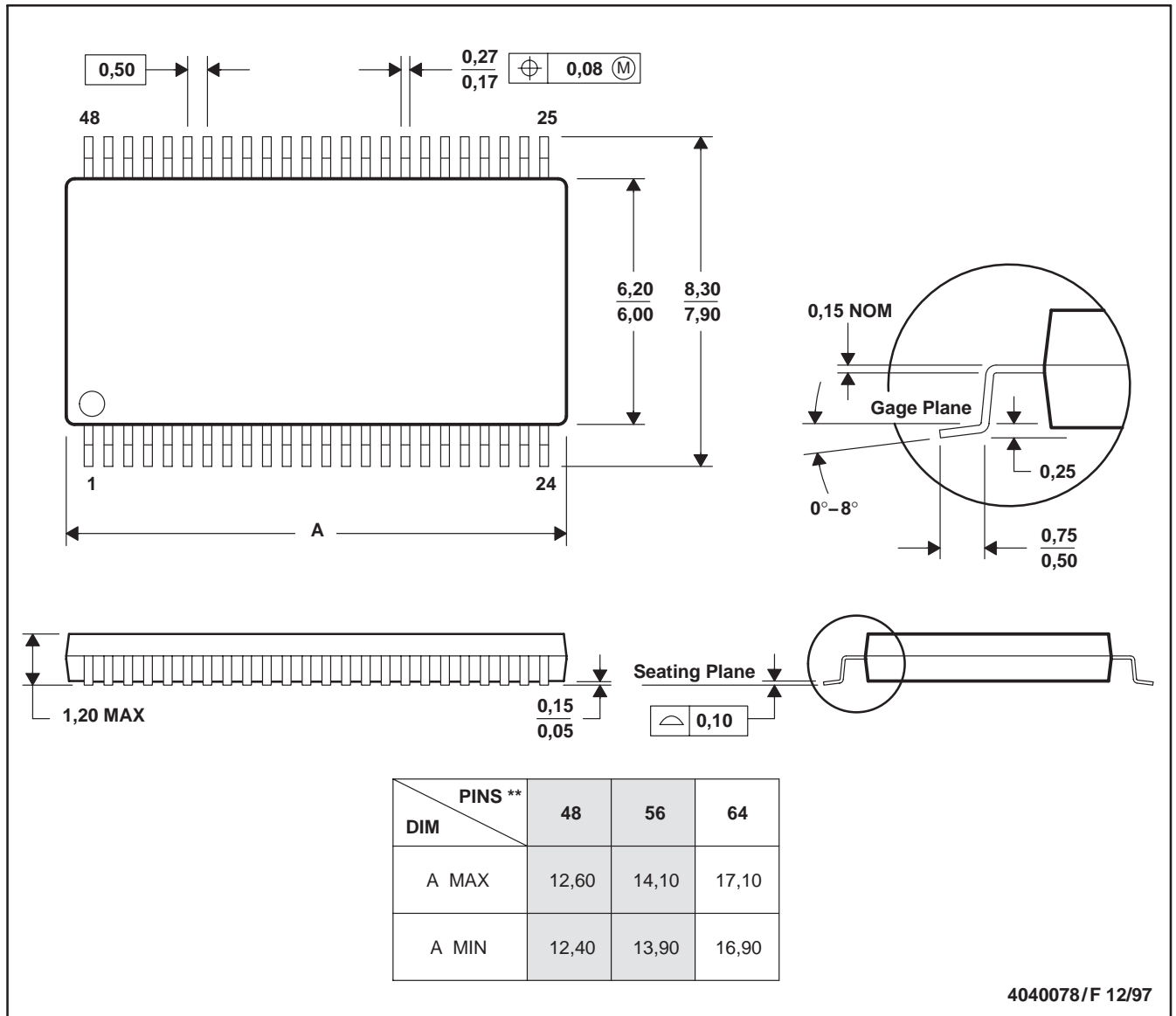
SLLS430B – NOVEMBER 2000 – REVISED OCTOBER 2004

MECHANICAL DATA

DGG (R-PDSO-G**)

PLASTIC SMALL-OUTLINE PACKAGE

48 PINS SHOWN



- NOTES:
- All linear dimensions are in millimeters.
 - This drawing is subject to change without notice.
 - Body dimensions do not include mold protrusion not to exceed 0,15.
 - Falls within JEDEC MO-153

PACKAGING INFORMATION

Orderable Device	Status ⁽¹⁾	Package Type	Package Drawing	Pins	Package Qty	Eco Plan ⁽²⁾	Lead/Ball Finish	MSL Peak Temp ⁽³⁾
SN65LVDM1676DGG	ACTIVE	TSSOP	DGG	64	25	Green (RoHS & no Sb/Br)	CU NIPDAU	Level-2-260C-1 YEAR
SN65LVDM1676DGGG4	ACTIVE	TSSOP	DGG	64	25	Green (RoHS & no Sb/Br)	CU NIPDAU	Level-2-260C-1 YEAR
SN65LVDM1676DGGR	ACTIVE	TSSOP	DGG	64	2000	Green (RoHS & no Sb/Br)	CU NIPDAU	Level-2-260C-1 YEAR
SN65LVDM1676DGGRG4	ACTIVE	TSSOP	DGG	64	2000	Green (RoHS & no Sb/Br)	CU NIPDAU	Level-2-260C-1 YEAR
SN65LVDM1677DGG	ACTIVE	TSSOP	DGG	64	25	Green (RoHS & no Sb/Br)	CU NIPDAU	Level-2-260C-1 YEAR
SN65LVDM1677DGGG4	ACTIVE	TSSOP	DGG	64	25	Green (RoHS & no Sb/Br)	CU NIPDAU	Level-2-260C-1 YEAR
SN65LVDM1677DGGR	ACTIVE	TSSOP	DGG	64	2000	Green (RoHS & no Sb/Br)	CU NIPDAU	Level-2-260C-1 YEAR
SN65LVDM1677DGGRG4	ACTIVE	TSSOP	DGG	64	2000	Green (RoHS & no Sb/Br)	CU NIPDAU	Level-2-260C-1 YEAR

⁽¹⁾ The marketing status values are defined as follows:

ACTIVE: Product device recommended for new designs.

LIFEBUY: TI has announced that the device will be discontinued, and a lifetime-buy period is in effect.

NRND: Not recommended for new designs. Device is in production to support existing customers, but TI does not recommend using this part in a new design.

PREVIEW: Device has been announced but is not in production. Samples may or may not be available.

OBSOLETE: TI has discontinued the production of the device.

⁽²⁾ Eco Plan - The planned eco-friendly classification: Pb-Free (RoHS) or Green (RoHS & no Sb/Br) - please check <http://www.ti.com/productcontent> for the latest availability information and additional product content details.

TBD: The Pb-Free/Green conversion plan has not been defined.

Pb-Free (RoHS): TI's terms "Lead-Free" or "Pb-Free" mean semiconductor products that are compatible with the current RoHS requirements for all 6 substances, including the requirement that lead not exceed 0.1% by weight in homogeneous materials. Where designed to be soldered at high temperatures, TI Pb-Free products are suitable for use in specified lead-free processes.

Green (RoHS & no Sb/Br): TI defines "Green" to mean Pb-Free (RoHS compatible), and free of Bromine (Br) and Antimony (Sb) based flame retardants (Br or Sb do not exceed 0.1% by weight in homogeneous material)

⁽³⁾ MSL, Peak Temp. -- The Moisture Sensitivity Level rating according to the JEDEC industry standard classifications, and peak solder temperature.

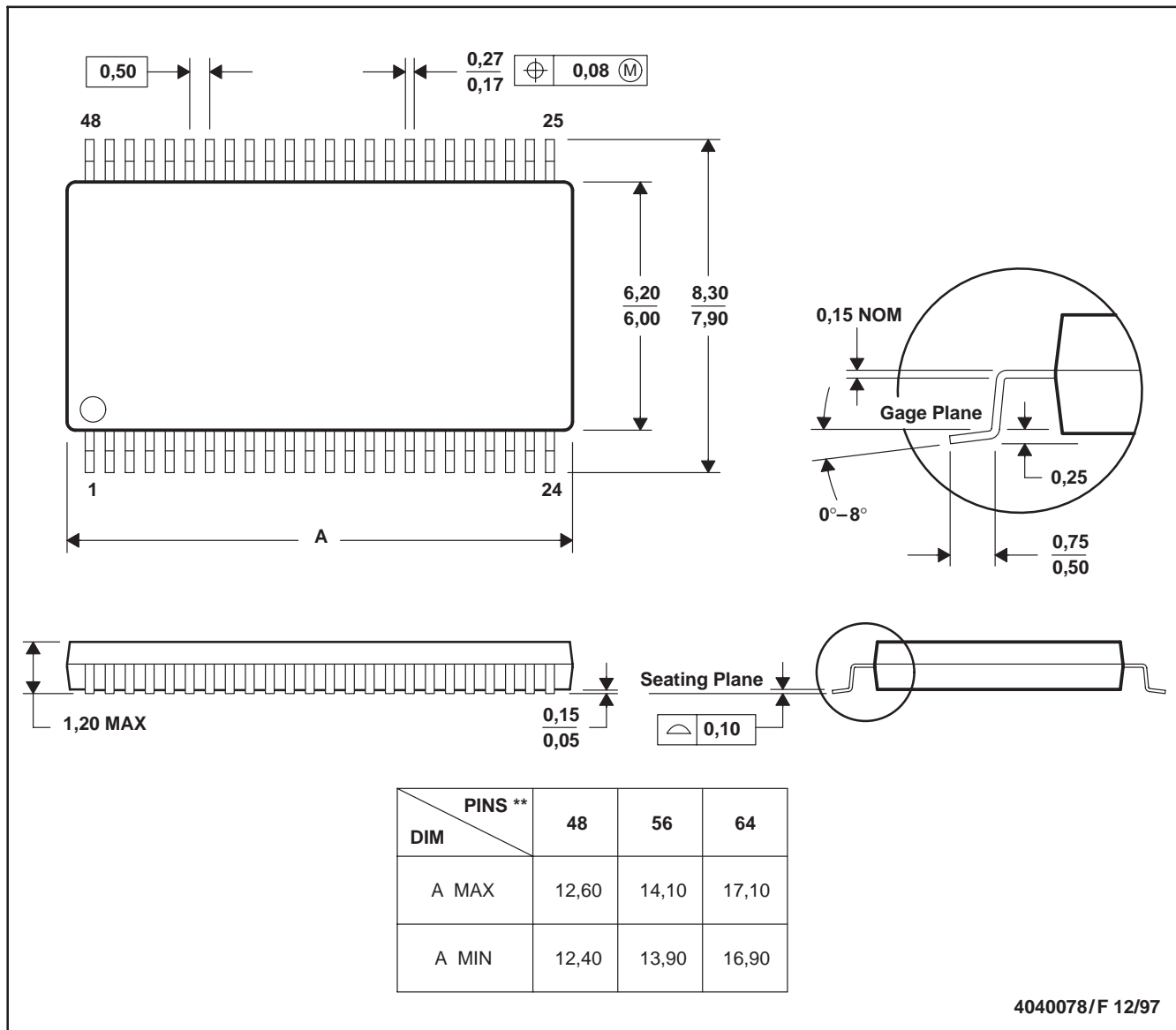
Important Information and Disclaimer: The information provided on this page represents TI's knowledge and belief as of the date that it is provided. TI bases its knowledge and belief on information provided by third parties, and makes no representation or warranty as to the accuracy of such information. Efforts are underway to better integrate information from third parties. TI has taken and continues to take reasonable steps to provide representative and accurate information but may not have conducted destructive testing or chemical analysis on incoming materials and chemicals. TI and TI suppliers consider certain information to be proprietary, and thus CAS numbers and other limited information may not be available for release.

In no event shall TI's liability arising out of such information exceed the total purchase price of the TI part(s) at issue in this document sold by TI to Customer on an annual basis.

DGG (R-PDSO-G**)

PLASTIC SMALL-OUTLINE PACKAGE

48 PINS SHOWN



- NOTES: A. All linear dimensions are in millimeters.
 B. This drawing is subject to change without notice.
 C. Body dimensions do not include mold protrusion not to exceed 0,15.
 D. Falls within JEDEC MO-153

IMPORTANT NOTICE

Texas Instruments Incorporated and its subsidiaries (TI) reserve the right to make corrections, modifications, enhancements, improvements, and other changes to its products and services at any time and to discontinue any product or service without notice. Customers should obtain the latest relevant information before placing orders and should verify that such information is current and complete. All products are sold subject to TI's terms and conditions of sale supplied at the time of order acknowledgment.

TI warrants performance of its hardware products to the specifications applicable at the time of sale in accordance with TI's standard warranty. Testing and other quality control techniques are used to the extent TI deems necessary to support this warranty. Except where mandated by government requirements, testing of all parameters of each product is not necessarily performed.

TI assumes no liability for applications assistance or customer product design. Customers are responsible for their products and applications using TI components. To minimize the risks associated with customer products and applications, customers should provide adequate design and operating safeguards.

TI does not warrant or represent that any license, either express or implied, is granted under any TI patent right, copyright, mask work right, or other TI intellectual property right relating to any combination, machine, or process in which TI products or services are used. Information published by TI regarding third-party products or services does not constitute a license from TI to use such products or services or a warranty or endorsement thereof. Use of such information may require a license from a third party under the patents or other intellectual property of the third party, or a license from TI under the patents or other intellectual property of TI.

Reproduction of information in TI data books or data sheets is permissible only if reproduction is without alteration and is accompanied by all associated warranties, conditions, limitations, and notices. Reproduction of this information with alteration is an unfair and deceptive business practice. TI is not responsible or liable for such altered documentation.

Resale of TI products or services with statements different from or beyond the parameters stated by TI for that product or service voids all express and any implied warranties for the associated TI product or service and is an unfair and deceptive business practice. TI is not responsible or liable for any such statements.

Following are URLs where you can obtain information on other Texas Instruments products and application solutions:

Products		Applications	
Amplifiers	amplifier.ti.com	Audio	www.ti.com/audio
Data Converters	dataconverter.ti.com	Automotive	www.ti.com/automotive
DSP	dsp.ti.com	Broadband	www.ti.com/broadband
Interface	interface.ti.com	Digital Control	www.ti.com/digitalcontrol
Logic	logic.ti.com	Military	www.ti.com/military
Power Mgmt	power.ti.com	Optical Networking	www.ti.com/opticalnetwork
Microcontrollers	microcontroller.ti.com	Security	www.ti.com/security
		Telephony	www.ti.com/telephony
		Video & Imaging	www.ti.com/video
		Wireless	www.ti.com/wireless

Mailing Address: Texas Instruments
Post Office Box 655303 Dallas, Texas 75265

Copyright © Each Manufacturing Company.

All Datasheets cannot be modified without permission.

This datasheet has been download from :

www.AllDataSheet.com

100% Free DataSheet Search Site.

Free Download.

No Register.

Fast Search System.

www.AllDataSheet.com