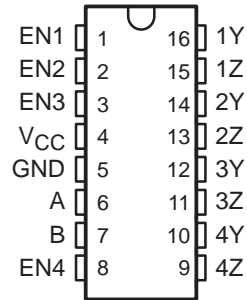
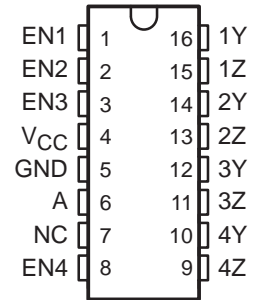


- Receiver and Drivers Meet or Exceed the Requirements of ANSI EIA/TIA-644 Standard
 - SN65LVDS105 Receives Low-Voltage TTL (LVTTTL) Levels
 - SN65LVDS104 Receives Differential Input Levels, ± 100 mV
- Designed for Signaling Rates up to 630 Mbps
- Operates From a Single 3.3-V Supply
- Low-Voltage Differential Signaling With Typical Output Voltage of 350 mV and a 100- Ω Load
- Propagation Delay Time
 - SN65LVDS105 . . . 2.2 ns (Typ)
 - SN65LVDS104 . . . 3.1 ns (Typ)
- Electrically Compatible With LVDS, PECL, LVPECL, LVTTTL, LVCMOS, GTL, BTL, CTT, SSTL, or HSTL Outputs With External Networks
- Driver Outputs Are High Impedance When Disabled or With $V_{CC} < 1.5$ V
- Bus-Pin ESD Protection Exceeds 16 kV
- SOIC and TSSOP Packaging

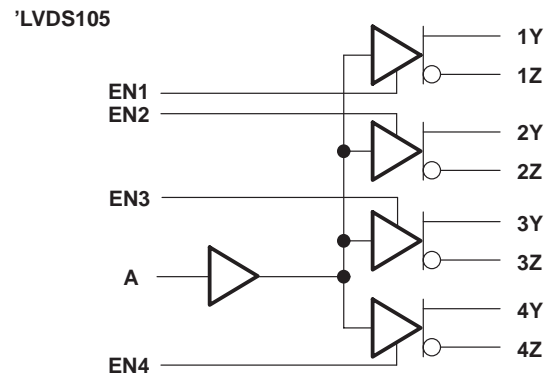
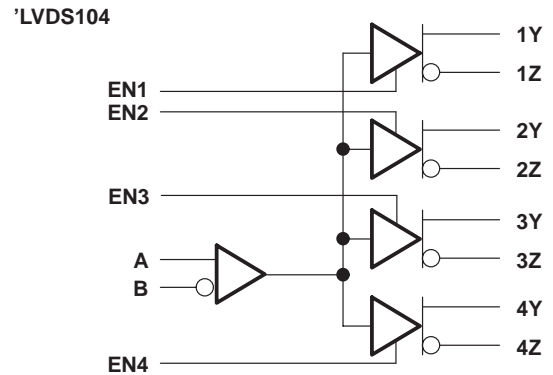
SN65LVDS104
D OR PW PACKAGE
(TOP VIEW)



SN65LVDS105
D OR PW PACKAGE
(TOP VIEW)



logic diagram (positive logic)



description

The SN65LVDS104 and SN65LVDS105 are a differential line receiver and a LVTTTL input (respectively) connected to four differential line drivers that implement the electrical characteristics of low-voltage differential signaling (LVDS). LVDS, as specified in EIA/TIA-644 is a data signaling technique that offers low-power, low-noise coupling, and switching speeds to transmit data at speeds up to 655 Mbps at relatively long distances. (Note: The ultimate rate and distance of data transfer is dependent upon the attenuation characteristics of the media, the noise coupling to the environment, and other system characteristics.)

The intended application of this device and signaling technique is for point-to-point baseband data transmission over controlled impedance media of approximately 100 Ω . The transmission media may be printed-circuit board traces, backplanes, or cables. Having the drivers integrated into the same substrate, along with the low pulse skew of balanced signaling, allows extremely precise timing alignment of the signals repeated from the input. This is particularly advantageous in distribution or expansion of signals such as clock or serial data stream.

The SN65LVDS104 and SN65LVDS105 are characterized for operation from -40°C to 85°C .



Please be aware that an important notice concerning availability, standard warranty, and use in critical applications of Texas Instruments semiconductor products and disclaimers thereto appears at the end of this data sheet.

PRODUCTION DATA information is current as of publication date. Products conform to specifications per the terms of Texas Instruments standard warranty. Production processing does not necessarily include testing of all parameters.

SN65LVDS104, SN65LVDS105 4-PORT LVDS AND 4-PORT TTL-TO-LVDS REPEATERS

SLLS396B– SEPTEMBER 1999 – REVISED DECEMBER 1999

description (continued)

The SN65LVDS104 and SN65LVDS105 are members of a family of LVDS repeaters. A brief overview of the family is provided in the table below.

Selection Guide to LVDS Repeaters

| DEVICE | NO. INPUTS | NO. OUTPUTS | PACKAGE | COMMENT |
|-------------|------------|-------------|------------|--------------------------------|
| SN65LVDS22 | 2 LVDS | 2 LVDS | 16-pin D | Dual multiplexed LVDS repeater |
| SN65LVDS104 | 1 LVDS | 4 LVDS | 16-pin D | 4-Port LVDS repeater |
| SN65LVDS105 | 1 LVTTTL | 4 LVDS | 16-pin D | 4-Port TTL-to-LVDS repeater |
| SN65LVDS108 | 1 LVDS | 8 LVDS | 38-pin DBT | 8-Port LVDS repeater |
| SN65LVDS109 | 2 LVDS | 8 LVDS | 38-pin DBT | Dual 4-port LVDS repeater |
| SN65LVDS116 | 1 LVDS | 16 LVDS | 64-pin DGG | 16-Port LVDS repeater |
| SN65LVDS117 | 2 LVDS | 16 LVDS | 64-pin DGG | Dual 8-port LVDS repeater |

Function Tables

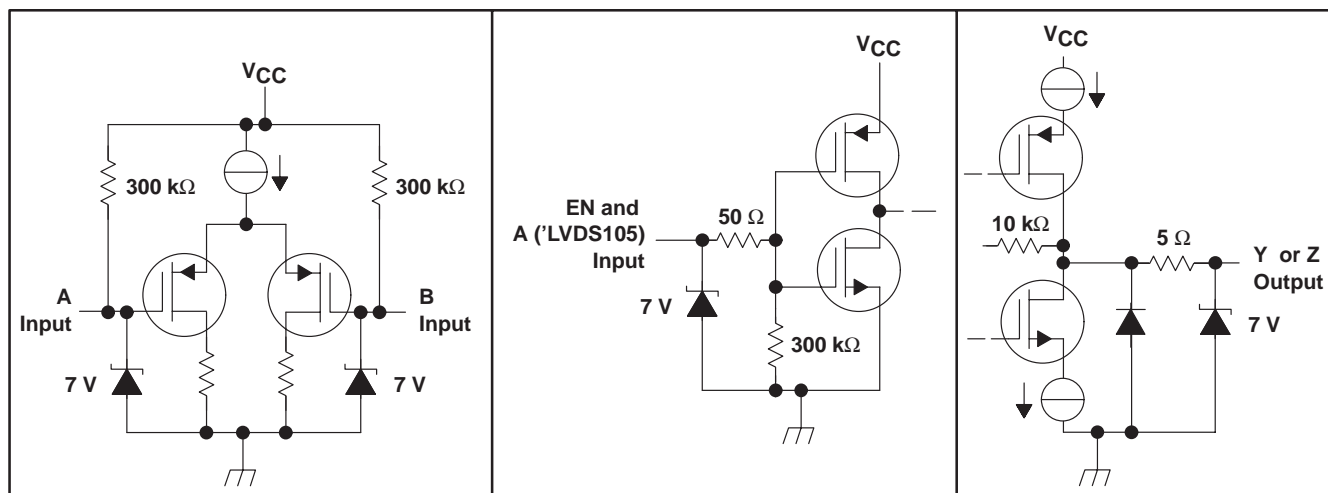
SN65LVDS104

SN65LVDS105

| INPUT | | OUTPUT | | INPUT | | OUTPUT | |
|---|-----|--------|----|-------|-----|--------|----|
| $V_{ID} = V_A - V_B$ | #EN | #Y | #Z | A | #EN | #Y | #Z |
| X | X | Z | Z | L | H | L | H |
| X | L | Z | Z | H | H | H | L |
| $V_{ID} \geq 100 \text{ mV}$ | H | H | L | Open | H | L | H |
| $-100 \text{ mV} < V_{ID} < 100 \text{ mV}$ | H | ? | ? | X | L | Z | Z |
| $V_{ID} \leq -100 \text{ mV}$ | H | L | H | X | X | Z | Z |

H = high level, L = low level, Z = high impedance, ? = indeterminate, X = don't care

equivalent input and output schematic diagrams



SN65LVDS104, SN65LVDS105 4-PORT LVDS AND 4-PORT TTL-TO-LVDS REPEATERS

SLLS396B– SEPTEMBER 1999 – REVISED DECEMBER 1999

absolute maximum ratings over operating free-air temperature (unless otherwise noted)†

| | |
|--|------------------------------|
| Supply voltage range, V_{CC} (see Note 1) | –0.5 to 4 V |
| Voltage range, Enable inputs | –0.5 to 6 V |
| A, B, Y or Z | –0.5 to 4 V |
| Electrostatic discharge (see Note 2); Y, Z, and GND | Class 3, A:16 kV, B: 600 V |
| All pins | Class 3, A:7 kV, B: 500 V |
| Continuous power dissipation | See Dissipation Rating Table |
| Storage temperature range | –65°C to 150°C |
| Lead temperature 1,6 mm (1/16 inch) from case for 10 seconds | 260°C |

† Stresses beyond those listed under “absolute maximum ratings” may cause permanent damage to the device. These are stress ratings only, and functional operation of the device at these or any other conditions beyond those indicated under “recommended operating conditions” is not implied. Exposure to absolute-maximum-rated conditions for extended periods may affect device reliability.

- NOTES: 1. All voltage values, except differential I/O bus voltages, are with respect to network ground terminal.
2. Tested in accordance with MIL-STD-883C Method 3015.7

DISSIPATION RATING TABLE

| PACKAGE | T _A ≤ 25°C POWER RATING | OPERATING FACTOR‡ ABOVE T _A = 25°C | T _A = 85°C POWER RATING |
|---------|---------------------------------------|--|---------------------------------------|
| D | 950 mW | 7.6 mW/°C | 494 mW |
| PW | 774 mW | 6.2 mW/°C | 402 mW |

‡ This is the inverse of the junction-to-ambient thermal resistance when board-mounted (low-k) and with no air flow.

recommended operating conditions

| | MIN | NOM | MAX | UNIT |
|---|----------------------|--------------|----------------------|------|
| Supply voltage, V_{CC} | 3 | 3.3 | 3.6 | V |
| High-level input voltage, V_{IH} | 2 | | | V |
| Low-level input voltage, V_{IL} | | | 0.8 | V |
| Magnitude of differential input voltage, $ V_{ID} $ | 0.1 | | 3.6 | V |
| Common-mode input voltage, V_{IC} | $\frac{ V_{ID} }{2}$ | 2.4 | $\frac{ V_{ID} }{2}$ | V |
| | | $V_{CC}-0.8$ | | V |
| Operating free-air temperature, T _A | –40 | | 85 | °C |

SN65LVDS104, SN65LVDS105

4-PORT LVDS AND 4-PORT TTL-TO-LVDS REPEATERS

SLLS396B– SEPTEMBER 1999 – REVISED DECEMBER 1999

SN65LVDS104 electrical characteristics over recommended operating conditions (unless otherwise noted)

| PARAMETER | | TEST CONDITIONS | MIN | TYP† | MAX | UNIT |
|----------------------|--|--|-------|------|-------|------|
| V _{ITH+} | Positive-going differential input voltage threshold | See Figure 1 and Table 1 | | | 100 | mV |
| V _{ITH-} | Negative-going differential input voltage threshold | | -100 | | | |
| V _{OD} | Differential output voltage magnitude | R _L = 100Ω, V _{ID} = ± 100 mV, See Figure 1 and Figure 2 | 247 | 340 | 454 | mV |
| Δ V _{OD} | Change in differential output voltage magnitude between logic states | | -50 | | 50 | |
| V _{OC(SS)} | Steady-state common-mode output voltage | See Figure 3 | 1.125 | | 1.375 | V |
| ΔV _{OC(SS)} | Change in steady-state common-mode output voltage between logic states | | -50 | | 50 | mV |
| V _{OC(PP)} | Peak-to-peak common-mode output voltage | | | 25 | | 150 |
| I _{CC} | Supply current | Enabled, R _L = 100Ω | | 23 | 35 | mA |
| | | Disabled | | 3 | 8 | |
| I _I | Input current (A or B inputs) | V _I = 0 V | -2 | -11 | -20 | μA |
| | | V _I = 2.4 V | -1.2 | -3 | | |
| I _{I(OFF)} | Power-off Input current | V _{CC} = 1.5 V, V _I = 2.4 V | | | 20 | μA |
| I _{IH} | High-level input current (enables) | V _{IH} = 2 V | | | 20 | μA |
| I _{IL} | Low-level input current (enables) | V _{IL} = 0.8 V | | | 10 | μA |
| I _{OS} | Short-circuit output current | V _{OY} or V _{OZ} = 0 V | | | ±10 | mA |
| | | V _{OD} = 0 V | | | ±10 | |
| I _{OZ} | High-impedance output current | V _O = 0 V or 2.4 V | | | ±1 | μA |
| I _{O(OFF)} | Power-off output current | V _{CC} = 1.5 V, V _O = 2.4 V | | | ±1 | μA |
| C _{IN} | Input capacitance (A or B inputs) | V _I = 0.4 sin(4E6πt) + 0.5 V | | 3 | | pF |
| C _O | Output capacitance (Y or Z outputs) | V _I = 0.4 sin(4E6πt) + 0.5 V, Disabled | | 9.4 | | pF |

† All typical values are at 25°C and with a 3.3 V supply.

SN65LVDS104 switching characteristics over recommended operating conditions (unless otherwise noted)

| PARAMETER | | TEST CONDITIONS | MIN | TYP† | MAX | UNIT | |
|---------------------|---|---|-----|------|-----|------|----|
| t _{PLH} | Propagation delay time, low-to-high-level output | R _L = 100Ω, C _L = 10 pF, See Figure 4 | 2.4 | 3.2 | 4.2 | ns | |
| t _{PHL} | Propagation delay time, high-to-low-level output | | 2.2 | 3.1 | 4.2 | | |
| t _r | Differential output signal rise time | | 0.3 | 0.8 | 1.2 | | |
| t _f | Differential output signal fall time | | 0.3 | 0.8 | 1.2 | | |
| t _{sk(p)} | Pulse skew (t _{PHL} - t _{PLH}) | | | 150 | 500 | | ps |
| t _{sk(o)} | Channel-to-channel output skew‡ | | | 20 | 100 | | ps |
| t _{sk(pp)} | Part-to-part skew§ | | | | 1.5 | | ns |
| t _{PZH} | Propagation delay time, high-impedance-to-high-level output | See Figure 5 | | 7.2 | 15 | ns | |
| t _{PZL} | Propagation delay time, high-impedance-to-low-level output | | | 8.4 | 15 | | |
| t _{PHZ} | Propagation delay time, high-level-to-high-impedance output | | | 3.6 | 15 | | |
| t _{PLZ} | Propagation delay time, low-level-to-high-impedance output | | | 6 | 15 | | |

† All typical values are at 25°C and with a 3.3 V supply.

‡ t_{sk(o)} is the magnitude of the time difference between the t_{PLH} or t_{PHL} of all drivers of a single device with all of their inputs connected together.

§ t_{sk(pp)} is the magnitude of the difference in propagation delay times between any specified terminals of two devices when both devices operate with the same supply voltages, at the same temperature, and have identical packages and test circuits.



SN65LVDS104, SN65LVDS105 4-PORT LVDS AND 4-PORT TTL-TO-LVDS REPEATERS

SLLS396B– SEPTEMBER 1999 – REVISED DECEMBER 1999

SN65LVDS105 electrical characteristics over recommended operating conditions (unless otherwise noted)

| PARAMETER | | TEST CONDITIONS | MIN | TYP† | MAX | UNIT |
|---------------------|--|--|-------|------|----------|---------|
| $ V_{OD} $ | Differential output voltage magnitude | $R_L = 100\Omega$, $V_{ID} = \pm 100$ mV, See Figure 6 and Figure 7 | 247 | 340 | 454 | mV |
| $\Delta V_{OD} $ | Change in differential output voltage magnitude between logic states | | -50 | | 50 | |
| $V_{OC(SS)}$ | Steady-state common-mode output voltage | See Figure 8 | 1.125 | | 1.375 | V |
| $\Delta V_{OC(SS)}$ | Change in steady-state common-mode output voltage between logic states | | -50 | | 50 | mV |
| $V_{OC(PP)}$ | Peak-to-peak common-mode output voltage | | | 25 | 150 | mV |
| I_{CC} | Supply current | Enabled, $R_L = 100\Omega$ | | 23 | 35 | mA |
| | | Disabled | | 0.7 | 6.4 | mA |
| I_{IH} | High-level input current | $V_{IH} = 2$ V | | | 20 | μ A |
| I_{IL} | Low-level input current | $V_{IL} = 0.8$ V | | | 10 | μ A |
| I_{OS} | Short-circuit output current | V_{OY} or $V_{OZ} = 0$ V | | | ± 10 | mA |
| | | $V_{OD} = 0$ V | | | ± 10 | mA |
| I_{OZ} | High-impedance output current | $V_O = 0$ V or 2.4 V | | | ± 1 | μ A |
| $I_{O(OFF)}$ | Power-off output current | $V_{CC} = 1.5$ V, $V_O = 2.4$ V | | 0.3 | ± 1 | μ A |
| C_{IN} | Input capacitance | $V_I = 0.4 \sin(4E6\pi t) + 0.5$ V | | 5 | | pF |
| C_O | Output capacitance (Y or Z outputs) | $V_I = 0.4 \sin(4E6\pi t) + 0.5$ V, Disabled | | 9.4 | | pF |

† All typical values are at 25°C and with a 3.3 V supply.

SN65LVDS105 switching characteristics over recommended operating conditions (unless otherwise noted)

| PARAMETER | | TEST CONDITIONS | MIN | TYP† | MAX | UNIT |
|--------------|---|---|-----|------|-----|------|
| t_{PLH} | Propagation delay time, low-to-high-level output | $R_L = 100\Omega$, $C_L = 10$ pF, See Figure 9 | 1.7 | 2.2 | 3 | ns |
| t_{PHL} | Propagation delay time, high-to-low-level output | | 1.4 | 2.3 | 3.5 | ns |
| t_r | Differential output signal rise time | | 0.3 | 0.8 | 1.2 | ns |
| t_f | Differential output signal fall time | | 0.3 | 0.8 | 1.2 | ns |
| $t_{sk(p)}$ | Pulse skew ($ t_{PHL} - t_{PLH} $) | | | 150 | 500 | ps |
| $t_{sk(o)}$ | Channel-to-channel output skew‡ | | | 20 | 100 | ps |
| $t_{sk(pp)}$ | Part-to-part skew§ | | | 1.5 | ns | |
| t_{PZH} | Propagation delay time, high-impedance-to-high-level output | See Figure 10 | | 7.2 | 15 | ns |
| t_{PZL} | Propagation delay time, high-impedance-to-low-level output | | | 8.4 | 15 | ns |
| t_{PHZ} | Propagation delay time, high-level-to-high-impedance output | | | 3.6 | 15 | ns |
| t_{PLZ} | Propagation delay time, low-level-to-high-impedance output | | | 6 | 15 | ns |

† All typical values are at 25°C and with a 3.3 V supply.

‡ $t_{sk(o)}$ is the magnitude of the time difference between the t_{PLH} or t_{PHL} of all drivers of a single device with all of their inputs connected together.

§ $t_{sk(pp)}$ is the magnitude of the difference in propagation delay times between any specified terminals of two devices when both devices operate with the same supply voltages, at the same temperature, and have identical packages and test circuits.

SN65LVDS104, SN65LVDS105 4-PORT LVDS AND 4-PORT TTL-TO-LVDS REPEATERS

SLLS396B– SEPTEMBER 1999 – REVISED DECEMBER 1999

PARAMETER MEASUREMENT INFORMATION

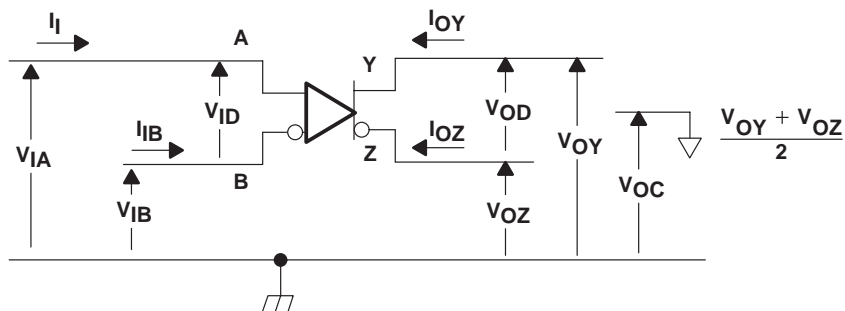


Figure 1. 'LVDS104 Voltage and Current Definitions

Table 1. SN65LVDS104 Minimum and Maximum Input Threshold Test Voltages

| APPLIED VOLTAGES | | RESULTING DIFFERENTIAL INPUT VOLTAGE | RESULTING COMMON-MODE INPUT VOLTAGE |
|------------------|-----------------|--------------------------------------|-------------------------------------|
| V _{IA} | V _{IB} | V _{ID} | V _{IC} |
| 1.25 V | 1.15 V | 100 mV | 1.2 V |
| 1.15 V | 1.25 V | -100 mV | 1.2 V |
| 2.4 V | 2.3 V | 100 mV | 2.35 V |
| 2.3 V | 2.4 V | -100 mV | 2.35 V |
| 0.1 V | 0 V | 100 mV | 0.05 V |
| 0 V | 0.1 V | -100 mV | 0.05 V |
| 1.5 V | 0.9 V | 600 mV | 1.2 V |
| 0.9 V | 1.5 V | -600 mV | 1.2 V |
| 2.4 V | 1.8 V | 600 mV | 2.1 V |
| 1.8 V | 2.4 V | -600 mV | 2.1 V |
| 0.6 V | 0 V | 600 mV | 0.3 V |
| 0 V | 0.6 V | -600 mV | 0.3 V |

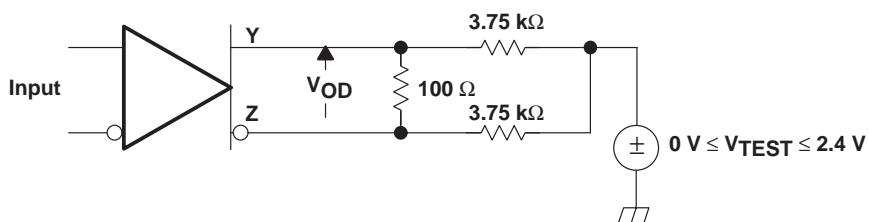
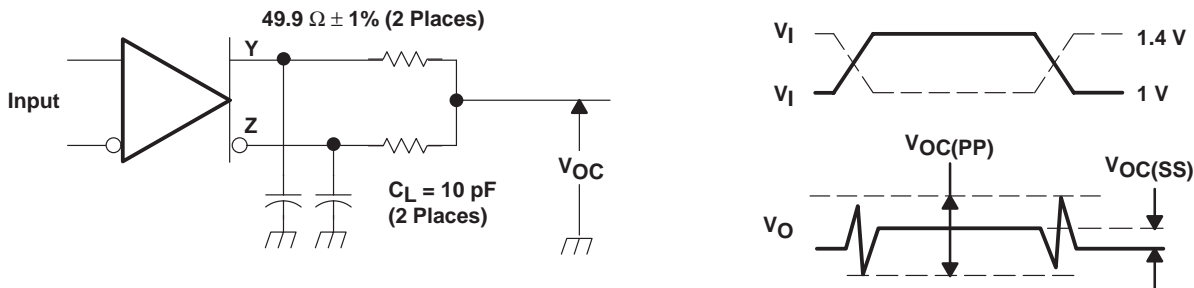


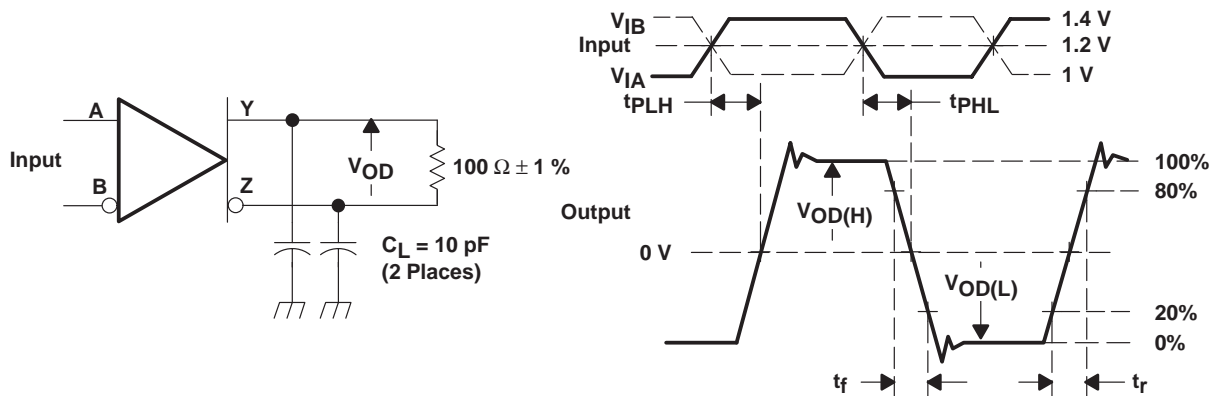
Figure 2. 'LVDS104 VOD Test Circuit

PARAMETER MEASUREMENT INFORMATION



NOTE: All input pulses are supplied by a generator having the following characteristics: t_r or $t_f \leq 1$ ns, pulse repetition rate (PRR) = 0.5 Mpps, pulsewidth = 500 ± 10 ns. C_L includes instrumentation and fixture capacitance within 0,06 m of the D.U.T. The measurement of V_{OC}(PP) is made on test equipment with a -3 dB bandwidth of at least 300 MHz.

Figure 3. 'LVDS104 Test Circuit and Definitions for the Driver Common-Mode Output Voltage



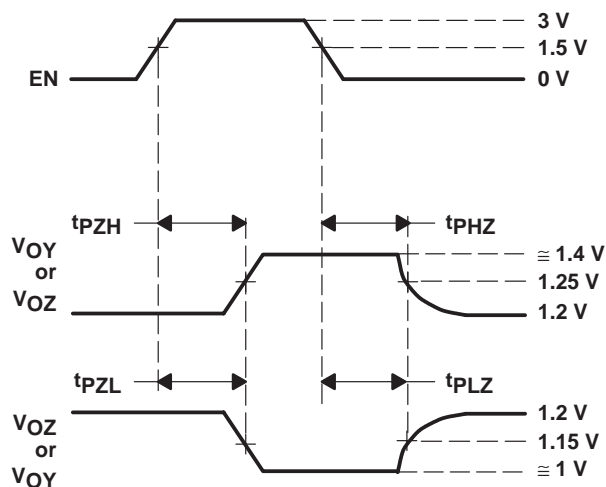
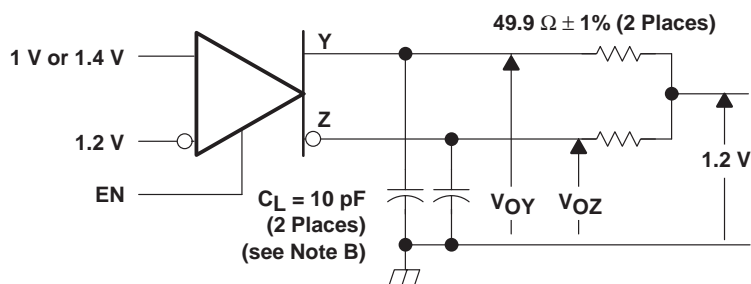
NOTE: All input pulses are supplied by a generator having the following characteristics: t_r or $t_f \leq 1$ ns, pulse repetition rate (PRR) = 50 Mpps, pulsewidth = 10 ± 0.2 ns. C_L includes instrumentation and fixture capacitance within 0,06 m of the D.U.T.

Figure 4. 'LVDS104 Test Circuit, Timing, and Voltage Definitions for the Differential output Signal

SN65LVDS104, SN65LVDS105 4-PORT LVDS AND 4-PORT TTL-TO-LVDS REPEATERS

SLLS396B– SEPTEMBER 1999 – REVISED DECEMBER 1999

PARAMETER MEASUREMENT INFORMATION



NOTE: All input pulses are supplied by a generator having the following characteristics: t_r or $t_f \leq 1$ ns, pulse repetition rate (PRR) = 0.5 Mpps, pulsewidth = 500 ± 10 ns. C_L includes instrumentation and fixture capacitance within 0,06 m of the D.U.T.

Figure 5. 'LVDS104 Enable and Disable Time Circuit and Definitions

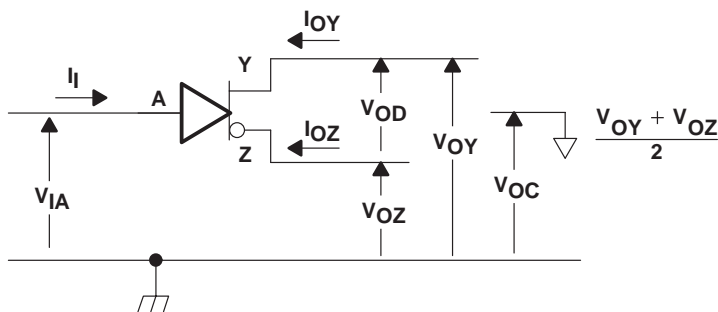


Figure 6. 'LVDS105 Voltage and Current Definitions

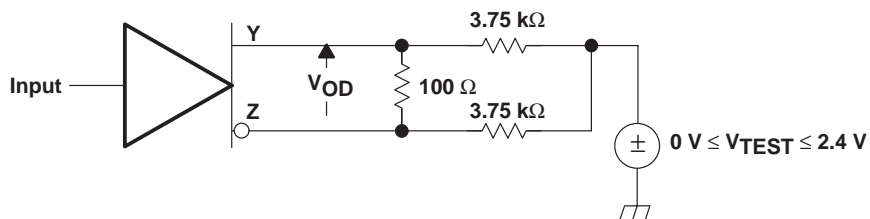
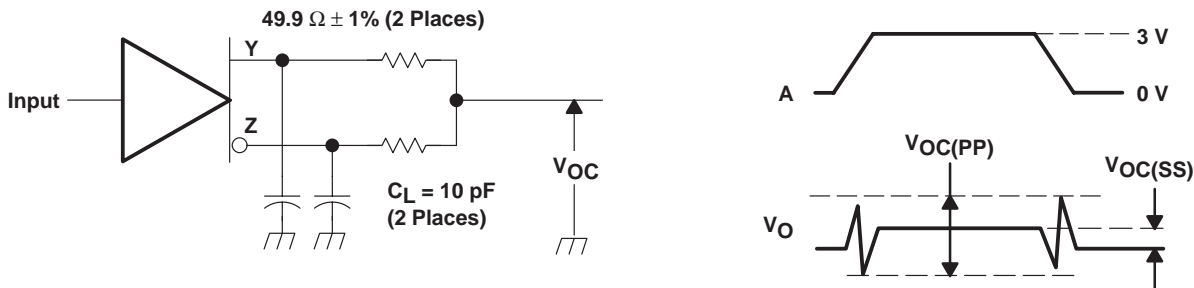


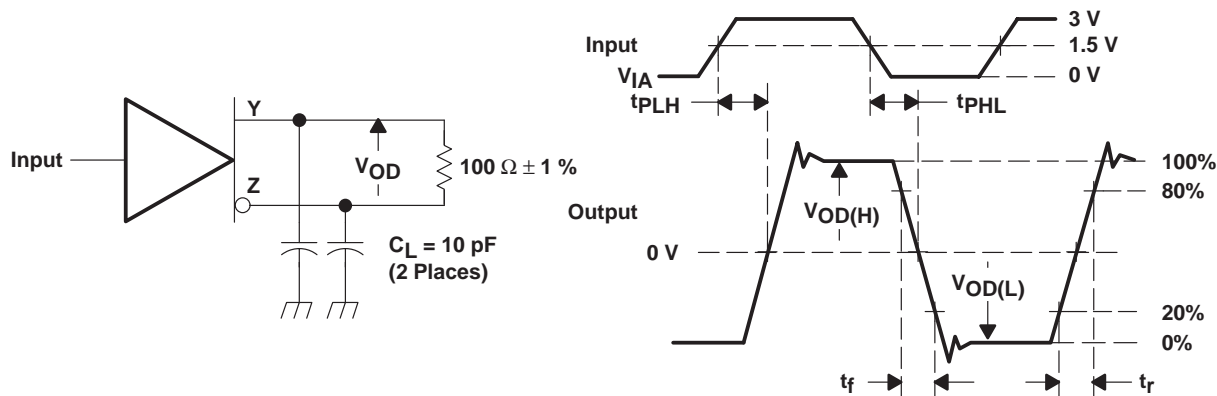
Figure 7. 'LVDS105 VOD Test Circuit

PARAMETER MEASUREMENT INFORMATION



NOTE: All input pulses are supplied by a generator having the following characteristics: t_r or $t_f \leq 1$ ns, pulse repetition rate (PRR) = 0.5 Mpps, pulsewidth = 500 ± 10 ns. C_L includes instrumentation and fixture capacitance within 0,06 m of the D.U.T. The measurement of $V_{OC(PP)}$ is made on test equipment with a -3 dB bandwidth of at least 300 MHz.

Figure 8. 'LVDS105 Test Circuit and Definitions for the Driver Common-Mode Output Voltage



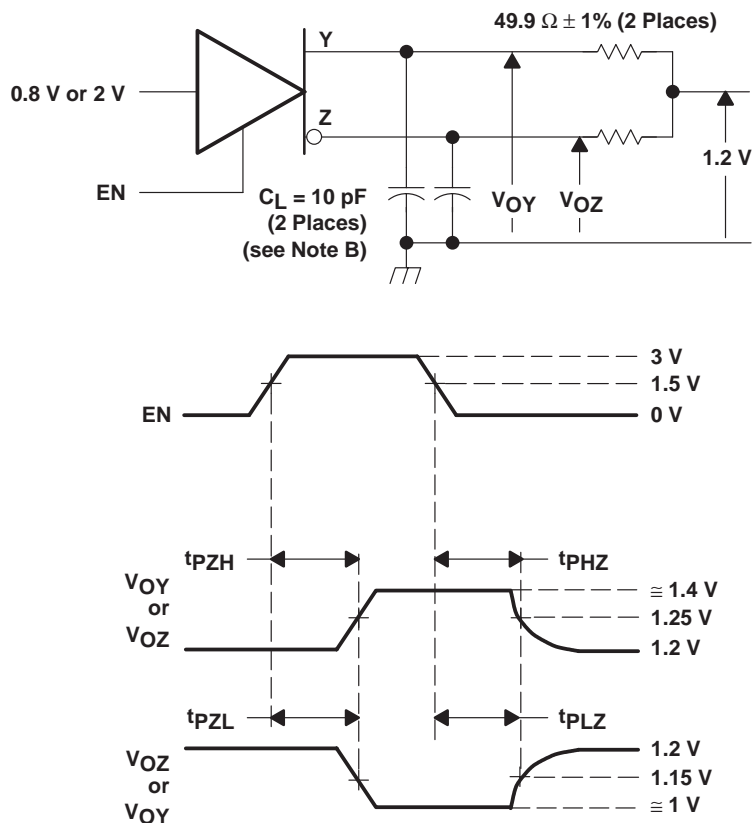
NOTE: All input pulses are supplied by a generator having the following characteristics: t_r or $t_f \leq 1$ ns, pulse repetition rate (PRR) = 50 Mpps, pulsewidth = 10 ± 0.2 ns. C_L includes instrumentation and fixture capacitance within 0,06 m of the D.U.T.

Figure 9. 'LVDS105 Test Circuit, Timing, and Voltage Definitions for the Differential output Signal

SN65LVDS104, SN65LVDS105 4-PORT LVDS AND 4-PORT TTL-TO-LVDS REPEATERS

SLLS396B– SEPTEMBER 1999 – REVISED DECEMBER 1999

PARAMETER MEASUREMENT INFORMATION



NOTE: All input pulses are supplied by a generator having the following characteristics: t_r or $t_f \leq 1$ ns, pulse repetition rate (PRR) = 0.5 Mpps, pulsewidth = 500 ± 10 ns. C_L includes instrumentation and fixture capacitance within 0,06 m of the D.U.T.

Figure 10. 'LVDS105 Enable and Disable Time Circuit and Definitions

TYPICAL CHARACTERISTIC

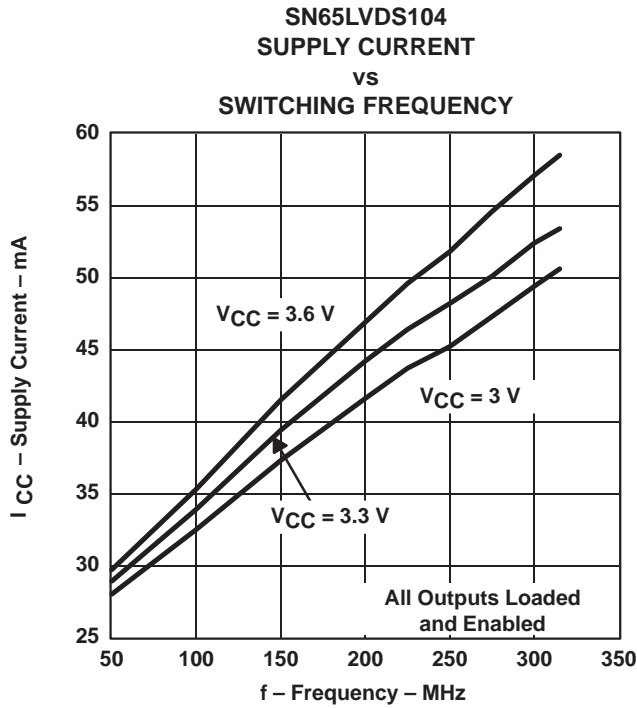


Figure 11

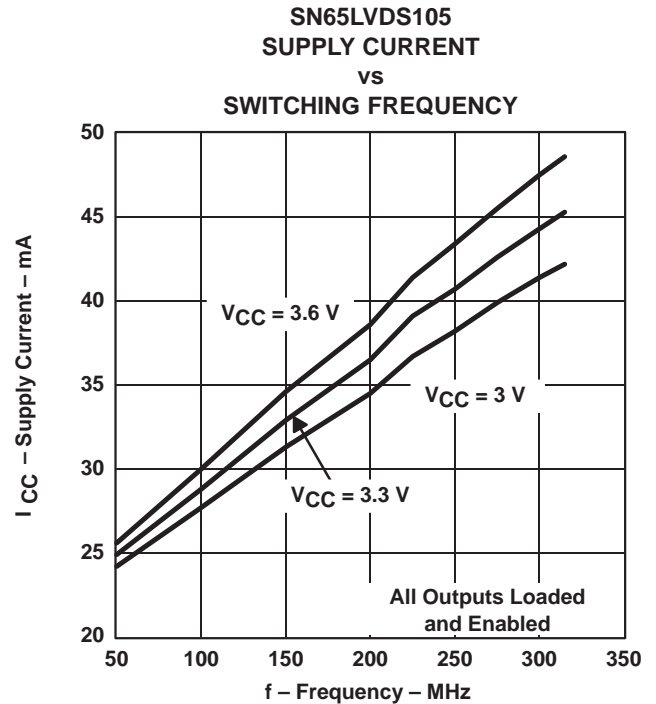


Figure 12

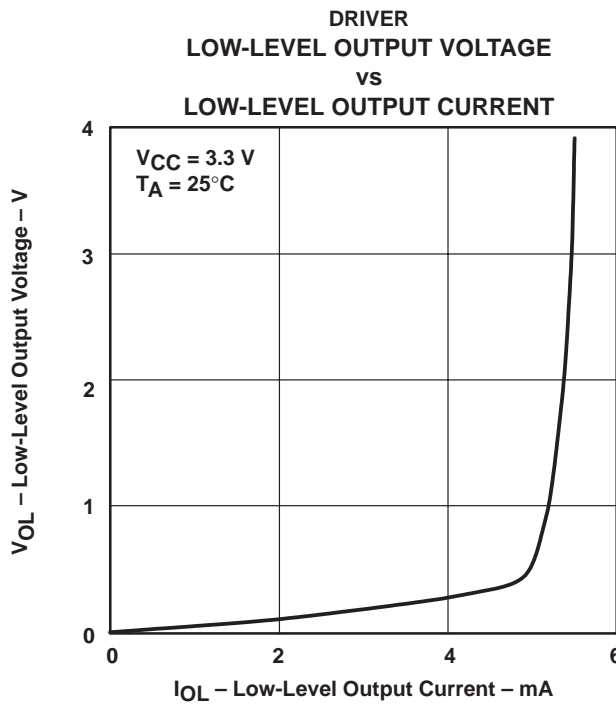


Figure 13

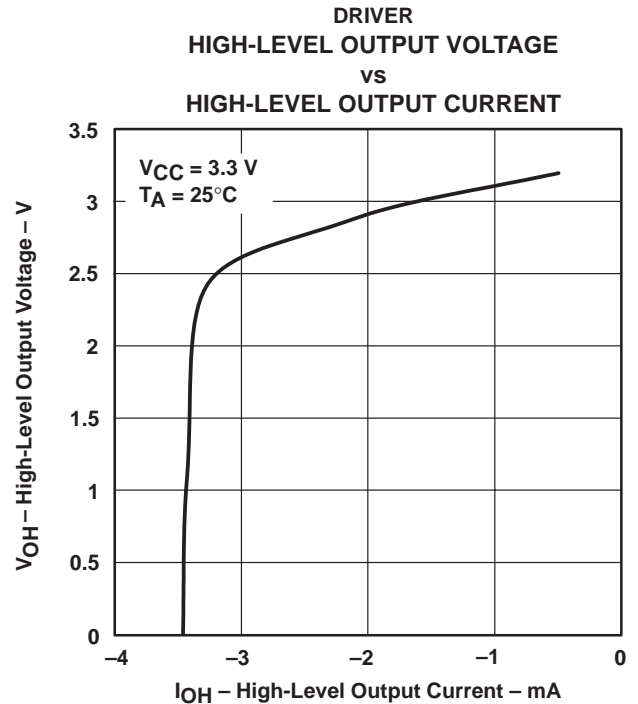
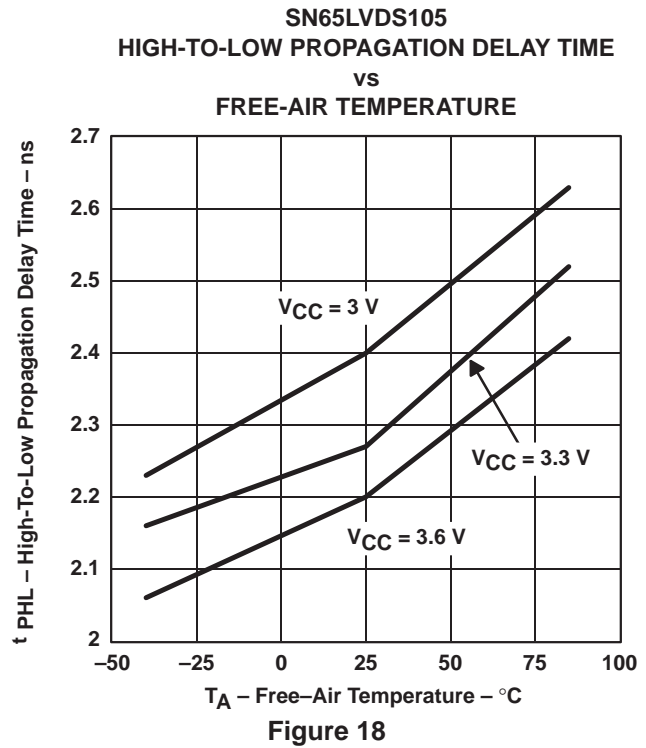
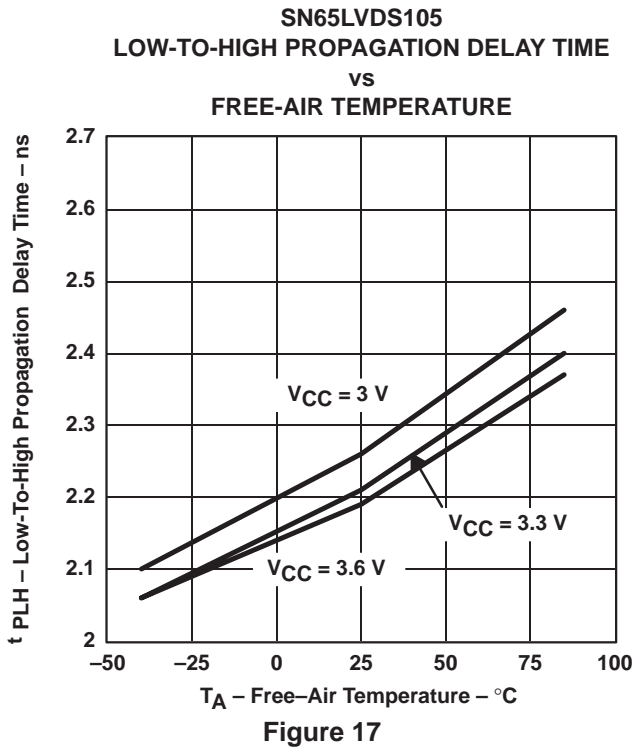
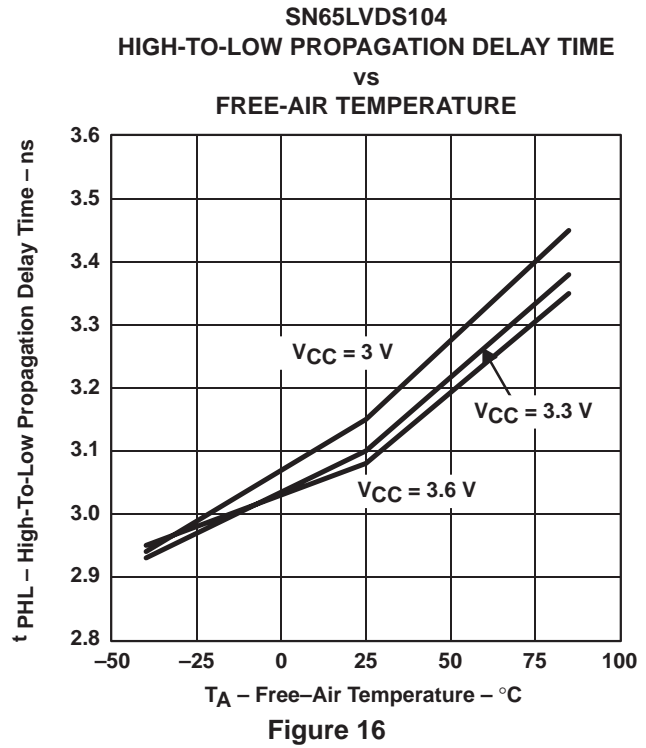
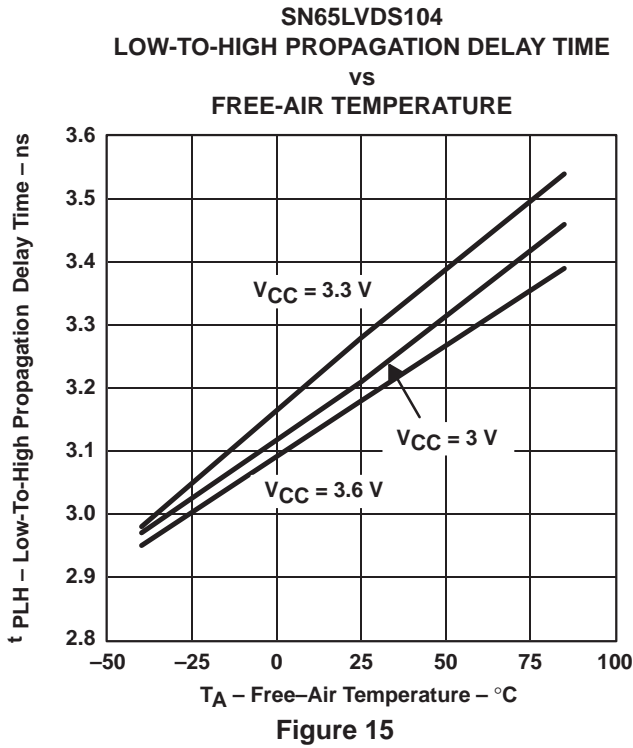


Figure 14

SN65LVDS104, SN65LVDS105 4-PORT LVDS AND 4-PORT TTL-TO-LVDS REPEATERS

SLLS396B– SEPTEMBER 1999 – REVISED DECEMBER 1999

TYPICAL CHARACTERISTIC



APPLICATION INFORMATION

A LVDS receiver can be used to receive various other types of logic signals. Figure 19 through Figure 28 show the termination circuits for SSTL, HSTL, GTL, BTL, LVPECL, PECL, CMOS, and TTL.

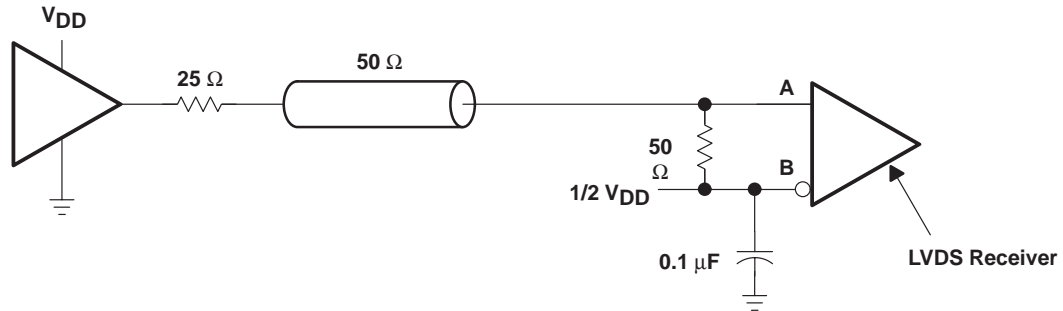


Figure 19. Stub-Series Terminated (SSTL) or High-Speed Transceiver Logic (HSTL)

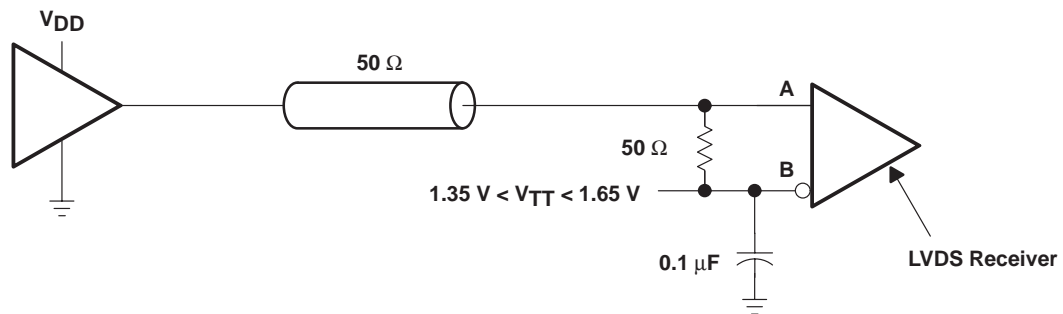


Figure 20. Center-Tap Termination (CTT)

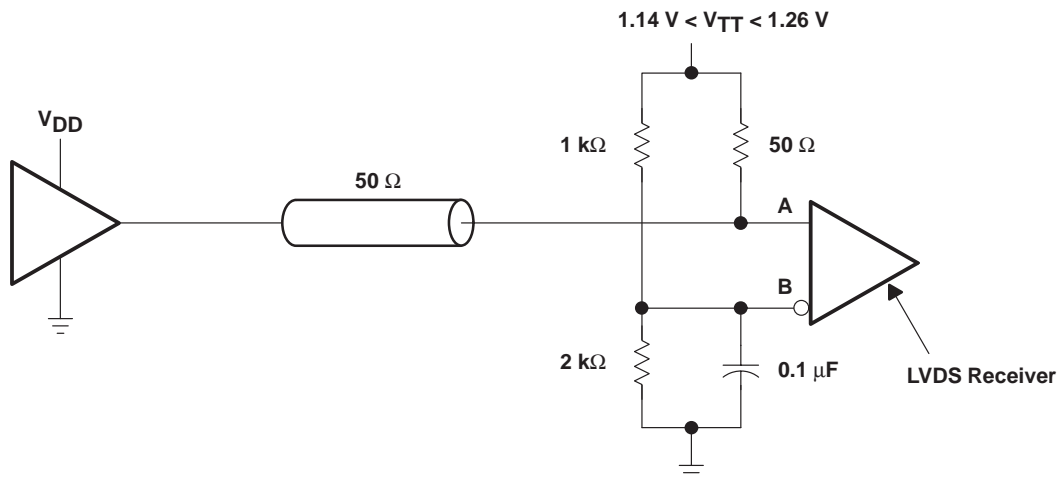


Figure 21. Gunning Transceiver Logic (GTL)

SN65LVDS104, SN65LVDS105 4-PORT LVDS AND 4-PORT TTL-TO-LVDS REPEATERS

SLLS396B– SEPTEMBER 1999 – REVISED DECEMBER 1999

APPLICATION INFORMATION

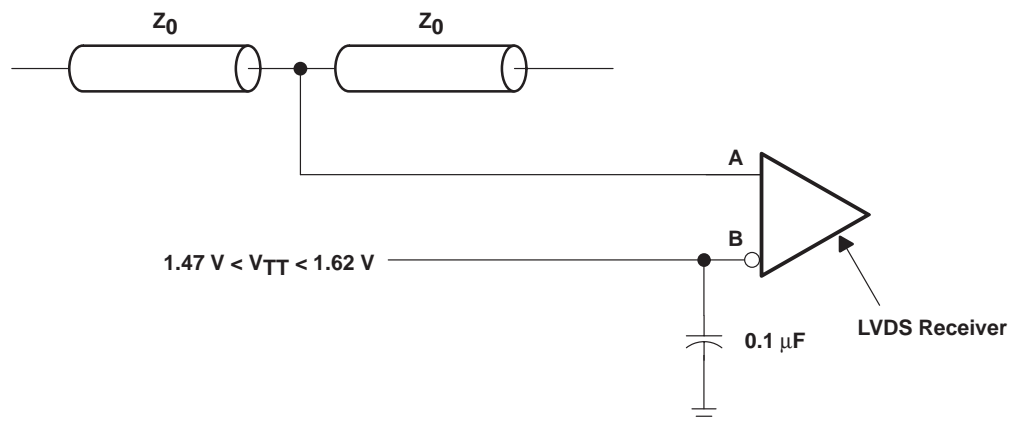


Figure 22. Backplane Transceiver Logic (BTL)

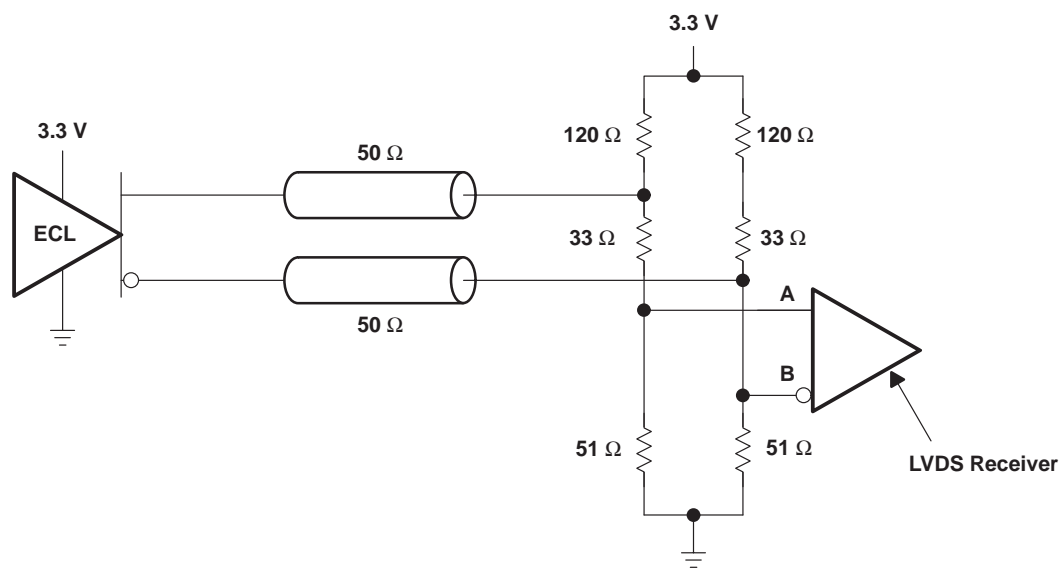


Figure 23. Low-Voltage Positive Emitter-Coupled Logic (LVPECL)

APPLICATION INFORMATION

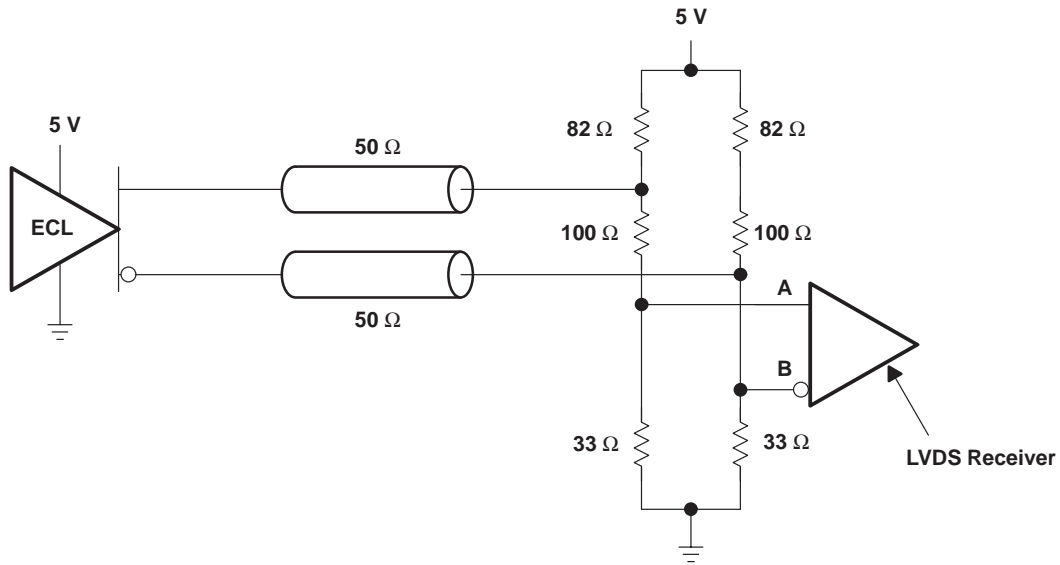


Figure 24. Positive Emitter-Coupled Logic (PECL)

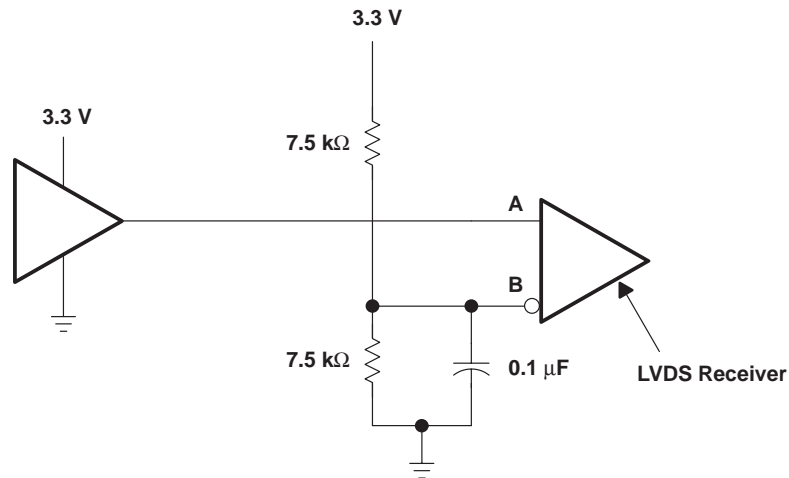


Figure 25. 3.3-V CMOS

SN65LVDS104, SN65LVDS105 4-PORT LVDS AND 4-PORT TTL-TO-LVDS REPEATERS

SLLS396B– SEPTEMBER 1999 – REVISED DECEMBER 1999

APPLICATION INFORMATION

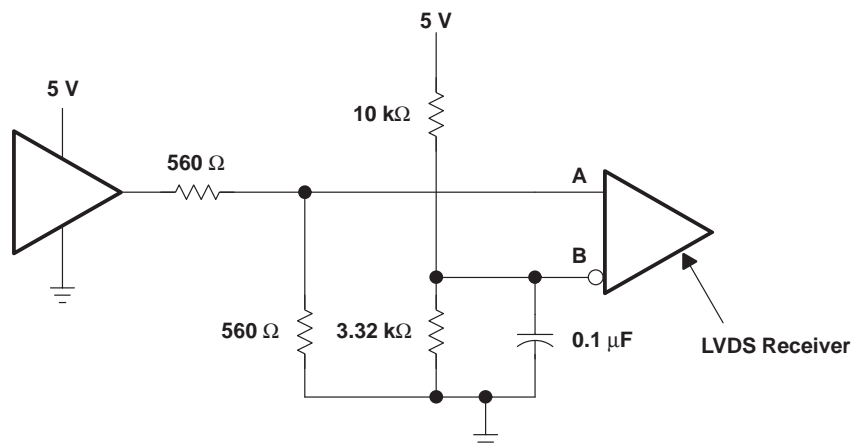


Figure 26. 5-V CMOS

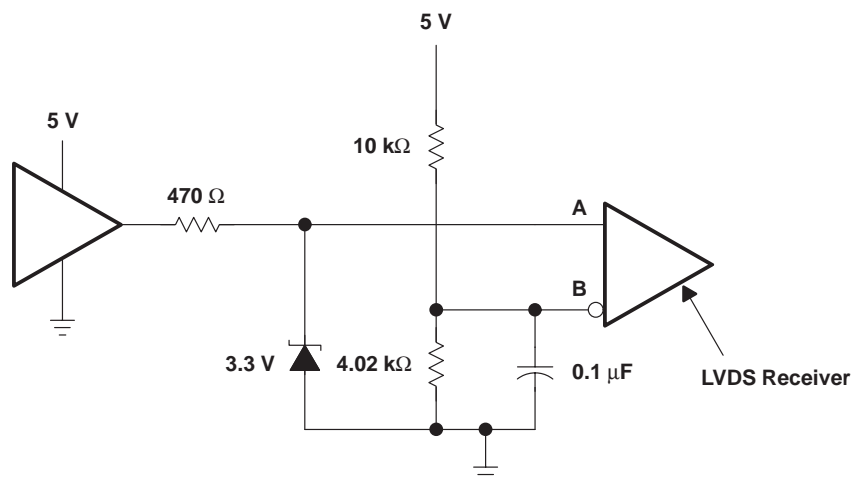


Figure 27. 5-V TTL

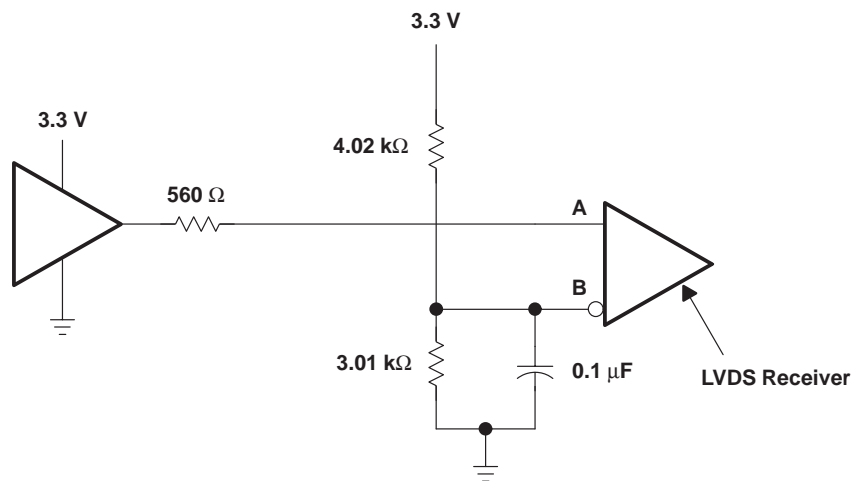


Figure 28. LVTTTL

APPLICATION INFORMATION

fail safe

One of the most common problems with differential signaling applications is how the system responds when no differential voltage is present on the signal pair. The LVDS receiver is like most differential line receivers, in that its output logic state can be indeterminate when the differential input voltage is between -100 mV and 100 mV and within its recommended input common-mode voltage range. TI's LVDS receiver is different in how it handles the open-input circuit situation, however.

Open-circuit means that there is little or no input current to the receiver from the data line itself. This could be when the driver is in a high-impedance state or the cable is disconnected. When this occurs, the LVDS receiver will pull each line of the signal pair to near V_{CC} through $300\text{-k}\Omega$ resistors as shown in Figure 10. The fail-safe feature uses an AND gate with input voltage thresholds at about 2.3 V to detect this condition and force the output to a high-level regardless of the differential input voltage.

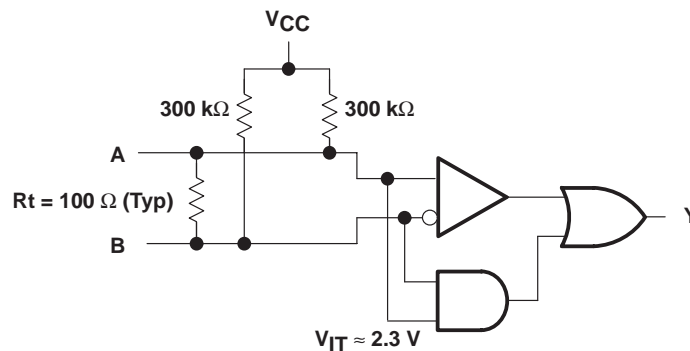


Figure 29. Open-Circuit Fail Safe of the LVDS Receiver

It is only under these conditions that the output of the receiver will be valid with less than a 100 mV differential input voltage magnitude. The presence of the termination resistor, R_t , does not affect the fail-safe function as long as it is connected as shown in the figure. Other termination circuits may allow a dc current to ground that could defeat the pullup currents from the receiver and the fail-safe feature.

SN65LVDS104, SN65LVDS105 4-PORT LVDS AND 4-PORT TTL-TO-LVDS REPEATERS

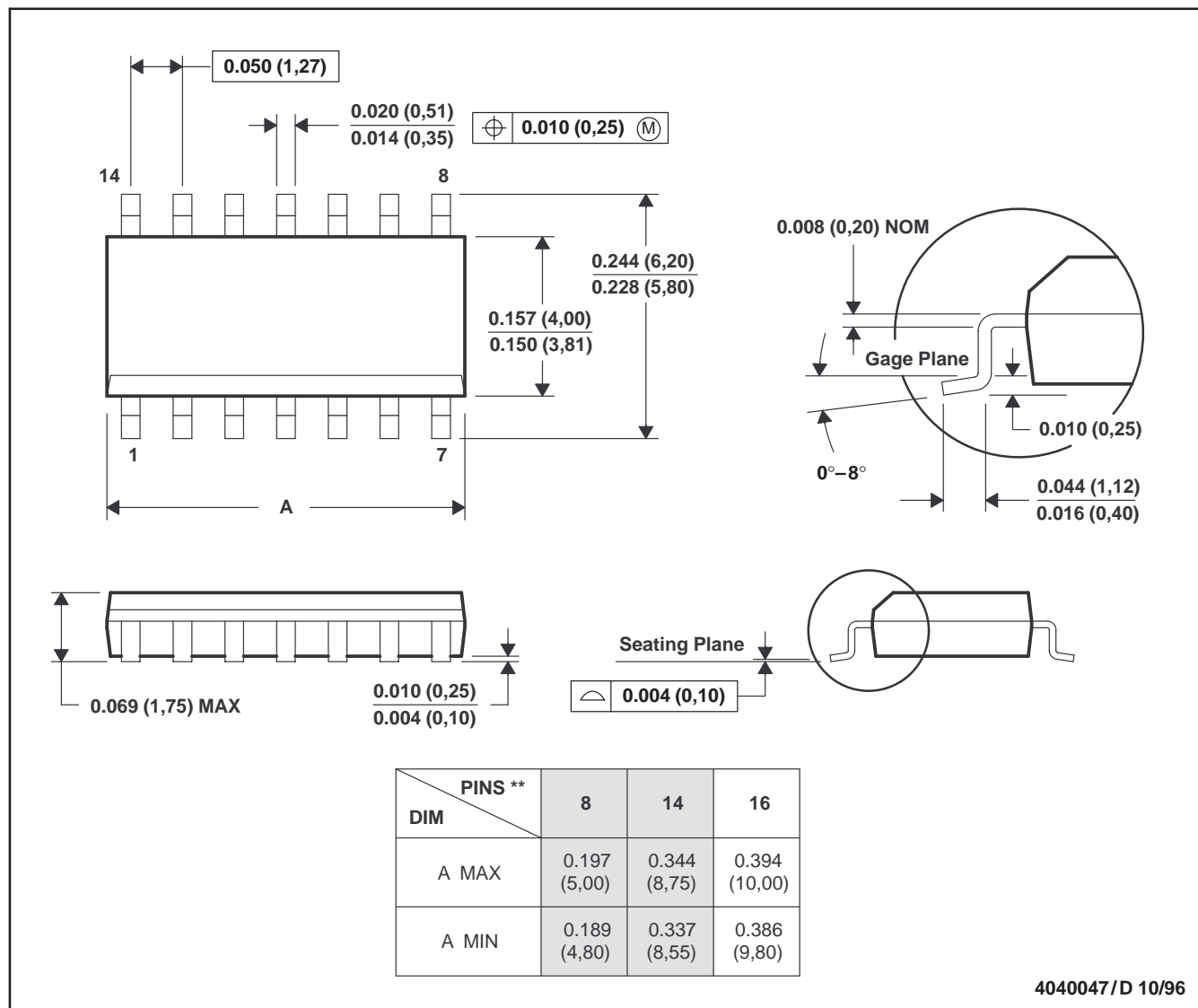
SLLS396B- SEPTEMBER 1999 - REVISED DECEMBER 1999

MECHANICAL INFORMATION

D (R-PDSO-G**)

PLASTIC SMALL-OUTLINE PACKAGE

14 PINS SHOWN



- NOTES: A. All linear dimensions are in inches (millimeters).
 B. This drawing is subject to change without notice.
 C. Body dimensions do not include mold flash or protrusion, not to exceed 0.006 (0,15).
 D. Falls within JEDEC MS-012

SN65LVDS104, SN65LVDS105 4-PORT LVDS AND 4-PORT TTL-TO-LVDS REPEATERS

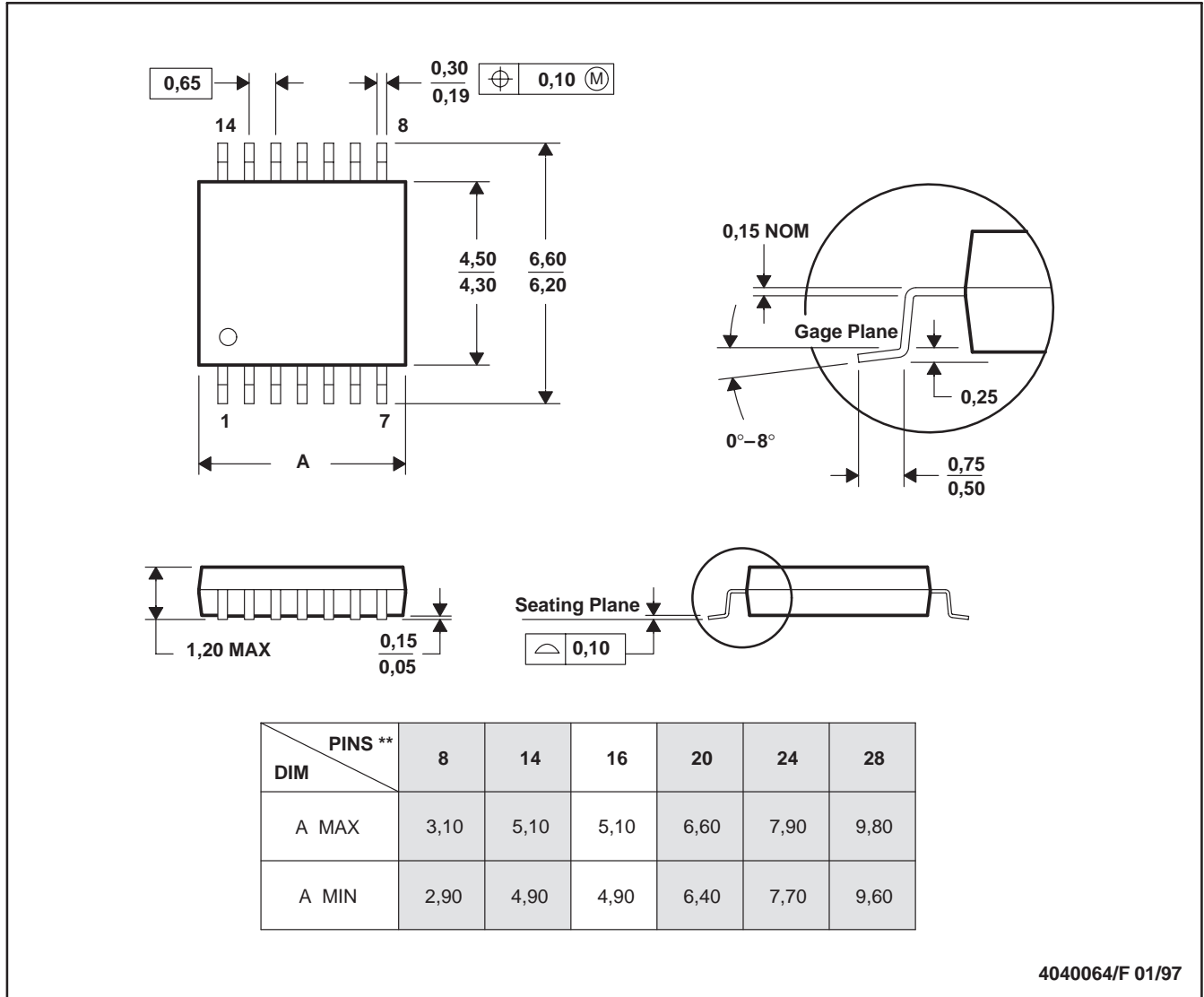
SLLS396B– SEPTEMBER 1999 – REVISED DECEMBER 1999

MECHANICAL INFORMATION

PW (R-PDSO-G)**

PLASTIC SMALL-OUTLINE PACKAGE

14 PINS SHOWN



- NOTES: A. All linear dimensions are in millimeters.
 B. This drawing is subject to change without notice.
 C. Body dimensions do not include mold flash or protrusion not to exceed 0,15.
 D. Falls within JEDEC MO-153

IMPORTANT NOTICE

Texas Instruments and its subsidiaries (TI) reserve the right to make changes to their products or to discontinue any product or service without notice, and advise customers to obtain the latest version of relevant information to verify, before placing orders, that information being relied on is current and complete. All products are sold subject to the terms and conditions of sale supplied at the time of order acknowledgement, including those pertaining to warranty, patent infringement, and limitation of liability.

TI warrants performance of its semiconductor products to the specifications applicable at the time of sale in accordance with TI's standard warranty. Testing and other quality control techniques are utilized to the extent TI deems necessary to support this warranty. Specific testing of all parameters of each device is not necessarily performed, except those mandated by government requirements.

CERTAIN APPLICATIONS USING SEMICONDUCTOR PRODUCTS MAY INVOLVE POTENTIAL RISKS OF DEATH, PERSONAL INJURY, OR SEVERE PROPERTY OR ENVIRONMENTAL DAMAGE ("CRITICAL APPLICATIONS"). TI SEMICONDUCTOR PRODUCTS ARE NOT DESIGNED, AUTHORIZED, OR WARRANTED TO BE SUITABLE FOR USE IN LIFE-SUPPORT DEVICES OR SYSTEMS OR OTHER CRITICAL APPLICATIONS. INCLUSION OF TI PRODUCTS IN SUCH APPLICATIONS IS UNDERSTOOD TO BE FULLY AT THE CUSTOMER'S RISK.

In order to minimize risks associated with the customer's applications, adequate design and operating safeguards must be provided by the customer to minimize inherent or procedural hazards.

TI assumes no liability for applications assistance or customer product design. TI does not warrant or represent that any license, either express or implied, is granted under any patent right, copyright, mask work right, or other intellectual property right of TI covering or relating to any combination, machine, or process in which such semiconductor products or services might be or are used. TI's publication of information regarding any third party's products or services does not constitute TI's approval, warranty or endorsement thereof.

Copyright © Each Manufacturing Company.

All Datasheets cannot be modified without permission.

This datasheet has been download from :

www.AllDataSheet.com

100% Free DataSheet Search Site.

Free Download.

No Register.

Fast Search System.

www.AllDataSheet.com