

MAXIM

Advanced Lithium-Ion Battery-Pack Protector

MAX1666S/V/X

General Description

The MAX1666 provides complete protection against overvoltage, undervoltage, overcharge current, overdischarge current, and cell mismatch for 2-cell to 4-cell Lithium-Ion battery packs. The voltage of each cell in the battery pack is checked and compared to the programmable threshold and to the other cells in the pack.

The MAX1666 protects the battery pack in an overcurrent condition by disconnecting the pack from the load at a programmable limit. On-chip power MOSFET drivers control external P-channel MOSFETs to disconnect the cells from external terminals when faults occur.

The MAX1666 employs a unique timing scheme that allows three modes of operation, for optimal performance and battery power conservation. The MAX1666 can operate in a stand-alone configuration or in conjunction with a microcontroller. It is available in three versions: the "S" version monitors two Li-Ion cells, the "V" version monitors three cells, and the "X" version monitors four cells.

Applications

2/3/4-Cell Lithium-Ion Battery Pack

Selector Guide

| PART | NUMBER OF LI-ION CELLS |
|----------|------------------------|
| MAX1666S | 2 |
| MAX1666V | 3 |
| MAX1666X | 4 |

Typical Operating Circuits appear at end of data sheet.

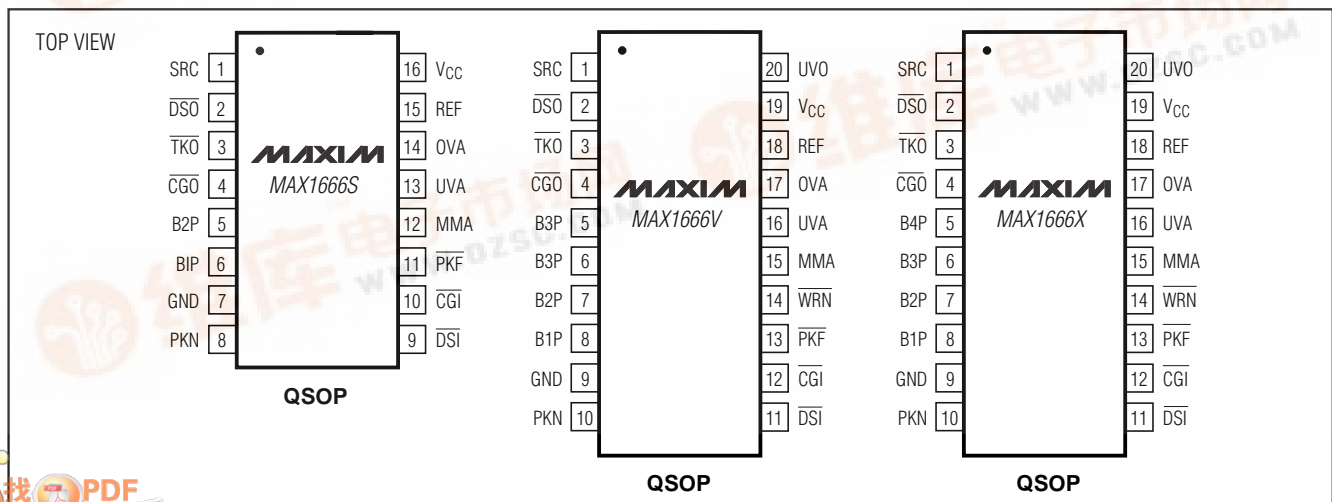
Features

- ◆ **Overvoltage Protection**
Programmable Limits from +4.0V to +4.4V
Accurate to ±0.5%
- ◆ **Undervoltage Protection**
Programmable Limits from +2.0V to +3.0V
Accurate to ±2.5%
- ◆ **Cell Mismatch Protection**
Programmable Limits from 0 to 500mV
Accurate to ±10%
- ◆ **Overcharge Current Protection**
- ◆ **Overdischarge Current Protection**
- ◆ **Low Operating Supply Current: 30µA typ**
- ◆ **Low Standby Current: 1µA max**
- ◆ **+28V max Input Voltage**
- ◆ **Available in Small 16-Pin QSOP (MAX1666S) and 20-Pin QSOP (MAX1666V/X) Packages**

Ordering Information

| PART | TEMP. RANGE | PIN-PACKAGE |
|-------------|----------------|-------------|
| MAX1666SEEE | -40°C to +85°C | 16 QSOP |
| MAX1666VEEP | -40°C to +85°C | 20 QSOP |
| MAX1666XEEP | -40°C to +85°C | 20 QSOP |

Pin Configurations



Advanced Lithium-Ion Battery-Pack Protector

ABSOLUTE MAXIMUM RATINGS

SRC, \overline{DSO} , \overline{TKO} , \overline{CGO} , UVO, PKF, \overline{WRN} to GND ... -0.3V to +28V
 V_{CC} , REF, OVA, UVA, MMA to GND -0.3V to +6V
 B4P to B3P -0.3V to +6V
 B3P to B2P -0.3V to +6V
 B2P to B1P -0.3V to +6V
 B1P to GND -0.3V to +6V
 PKN to GND $\pm 2V$

V_{CC} , \overline{CGI} , \overline{DSI} to PKN -0.3V to +6V
 Continuous Power Dissipation ($T_A = +70^\circ\text{C}$)
 16-Pin QSOP (derate 8.3mW/ $^\circ\text{C}$ above $+70^\circ\text{C}$) 667mW
 20-Pin QSOP (derate 9.1mW/ $^\circ\text{C}$ above $+70^\circ\text{C}$) 727mW
 Operating Temperature Range -40°C to $+85^\circ\text{C}$
 Storage Temperature Range -65°C to $+150^\circ\text{C}$
 Lead Temperature (soldering, 10sec) $+300^\circ\text{C}$

Stresses beyond those listed under "Absolute Maximum Ratings" may cause permanent damage to the device. These are stress ratings only, and functional operation of the device at these or any other conditions beyond those indicated in the operational sections of the specifications is not implied. Exposure to absolute maximum rating conditions for extended periods may affect device reliability.

ELECTRICAL CHARACTERISTICS

($V_{SRC} = 16V$, each cell voltage $V_{CELL} = 3.6V$, 330k Ω load at REF, $T_A = 0^\circ\text{C}$ to $+85^\circ\text{C}$, unless otherwise noted. Typical values are at $T_A = +25^\circ\text{C}$.)

| PARAMETER | SYMBOL | CONDITIONS | | MIN | TYP | MAX | UNITS |
|---|------------|--|-------------------------|-----------|-----------|-----------|---------------|
| Charge Mode Detection Threshold | | $V_{SRC} - V_{B_P}$ | | 1 | | | V |
| SRC Input Current Range | | $V_{SRC} - V_{B_P} = 1V$ | | | 2 | 10 | μA |
| Supply Current | I_{SUP} | No faults, long time average current from the top battery terminal B_P | | | 30 | 45 | μA |
| Shutdown Supply Current | I_{SHDN} | | | | | 1 | μA |
| V_{CC} Output Voltage | V_{CC} | $R_{LOAD} \geq 665\Omega$, $2V < V_{CELL} < 4.4V$ | | 3.09 | 3.25 | 3.41 | V |
| V_{CC} Undervoltage Lockout Threshold | | | | 2.7 | 2.85 | 3 | V |
| Reference Output Voltage | V_{REF} | Pulse on | | | 1.221 | | V |
| Overvoltage Threshold | | Cell voltage rising | OVA = GND | 3.980 | 4.000 | 4.020 | V |
| | | | $V_{OVA} = V_{REF} / 2$ | | 4.2 | | |
| | | | OVA = REF | 4.378 | 4.400 | 4.422 | |
| Overvoltage Threshold Hysteresis | | | | | 200 | | mV |
| Undervoltage Threshold | | Cell voltage falling | UVA = GND | 1.950 | 2.000 | 2.050 | V |
| | | | $V_{UVA} = V_{REF} / 2$ | | 2.500 | | |
| | | | UVA = REF | 2.925 | 3.000 | 3.075 | |
| Undervoltage Threshold Hysteresis | | | | | 100 | | mV |
| \overline{WRN} Early Warning Threshold | | Above undervoltage threshold, cell voltage falling | | | 100 | | mV |
| \overline{WRN} Early Warning Threshold Hysteresis | | | | | 200 | | mV |
| OVA, UVA, MMA Input Current | | OVA, UVA, MMA = REF | | | 0.1 | 20 | nA |
| Cell Mismatch Threshold | | All cells > 2V | MMA = GND | | ± 0 | | mV |
| | | | $V_{MMA} = V_{REF} / 2$ | | ± 250 | | |
| | | | MMA = REF | ± 450 | ± 500 | ± 550 | |
| PKN to GND Overdischarge Current Threshold | | | | 270 | 300 | 330 | mV |
| PKN to GND Overcharge Current Threshold | | | | -220 | -200 | -180 | mV |

Advanced Lithium-Ion Battery-Pack Protector

MAX1666S/V/X

ELECTRICAL CHARACTERISTICS (continued)

($V_{SRC} = 16V$, each cell voltage $V_{CELL} = 3.6V$, $330k\Omega$ load at REF, $T_A = 0^\circ C$ to $+85^\circ C$, unless otherwise noted. Typical values are at $T_A = +25^\circ C$.)

| PARAMETER | SYMBOL | CONDITIONS | MIN | TYP | MAX | UNITS |
|--|---------------|---|-----|-----|------|-----------|
| Overcurrent Fault Timer Delay | $t_{P-DELAY}$ | | 330 | 550 | 770 | ms |
| Overdischarge/Overcharge Current Fault Blanking Time | $t_{I-DELAY}$ | | 1.6 | 2.4 | 3.2 | ms |
| \overline{DSO} , \overline{CGO} , UVO Output Sink Current | | No faults, $V_{\overline{DSO}} = V_{\overline{CGO}} = V_{UVO} = 1V$ to $27V$ | 20 | 30 | 40 | μA |
| \overline{DSO} , \overline{CGO} Output Source Current | | $V_{\overline{DSO}} = V_{SRC} - 4V$ and $V_{\overline{CGO}} = V_{SRC} - 4V$, fault condition | 2 | 10 | | mA |
| \overline{DSO} , \overline{CGO} , UVO Leakage Current | | $V_{\overline{DSO}} = V_{\overline{CGO}} = V_{UVO} = 27V$, fault condition | | | 0.2 | μA |
| \overline{TKO} Pull-Down Resistance | | | 100 | 200 | | $k\Omega$ |
| \overline{TKO} Source Current | | $\overline{TKO} = GND$ | 1 | 8 | | mA |
| \overline{DSI} , \overline{CGI} Input High Voltage | | Referenced to PKN | 2 | | | V |
| \overline{DSI} , \overline{CGI} Input Low Voltage | | Referenced to PKN | | | 0.45 | V |
| \overline{DSI} , \overline{CGI} Input Current | | $V_{DSI}, V_{CGI} = 5V$ | | | 1 | μA |
| \overline{WRN} Sink Current | | Fault condition, $V_{\overline{WRN}} = 0.4V$ | 2 | 4 | | mA |
| \overline{PKF} Sink Current | | Fault condition, $V_{\overline{PKF}} = 0.4V$ | 4 | 8 | | mA |
| \overline{PKF} , \overline{WRN} Leakage Current | | $V_{\overline{PKF}} = V_{\overline{WRN}} = 27V$ | | | 0.2 | μA |
| Undervoltage, Overvoltage, or Mismatch Fault, to \overline{DSO} , \overline{CGO} , \overline{TKO} Transition Delay | $t_{F-DELAY}$ | Fault persistent for 4 consecutive sample periods | 180 | 320 | 460 | ms |

ELECTRICAL CHARACTERISTICS

($V_{SRC} = 16V$, each cell voltage $V_{CELL} = 3.6V$, $330k\Omega$ load at REF, $T_A = -40^\circ C$ to $+85^\circ C$, unless otherwise noted.) (Note 1)

| PARAMETER | SYMBOL | CONDITIONS | MIN | TYP | MAX | UNITS |
|---|------------|---|-------|-----|-------|---------|
| Charge Mode Detection Threshold | | $V_{SRC} - V_{B_P}$ | 1 | | | V |
| SRC Input Current Range | | $V_{SRC} - V_{B_P} = 1V$ to $4V$ | | | 10 | μA |
| Supply Current | I_{SUP} | No faults, long time average current from the top battery terminal B_P | | | 45 | μA |
| Shutdown Supply Current | I_{SHDN} | | | | 1 | μA |
| V_{CC} Output Voltage | V_{CC} | $R_{LOAD} \geq 665\Omega$, $2V < V_{CELL} < 4.4V$ | 3.09 | | 3.41 | V |
| V_{CC} Undervoltage Lockout Threshold | | | 2.7 | | 3 | V |
| Overvoltage Threshold | | OVA = GND | 3.975 | | 4.025 | V |
| | | OVA = REF | 4.373 | | 4.427 | |
| Undervoltage Threshold | | UVA = GND | 1.950 | | 2.050 | V |
| | | UVA = REF | 2.925 | | 3.075 | |
| OVA, UVA, MMA Leakage | | OVA, UVA, MMA = REF | | | 20 | nA |

Advanced Lithium-Ion Battery-Pack Protector

ELECTRICAL CHARACTERISTICS

($V_{SRC} = 16V$, each cell voltage $V_{CELL} = 3.6V$, $330k\Omega$ load at REF, $T_A = -40^\circ C$ to $+85^\circ C$, unless otherwise noted.) (Note 1)

| PARAMETER | SYMBOL | CONDITIONS | MIN | TYP | MAX | UNITS |
|--|--------------|---|------|-----|------|------------|
| Cell Mismatch Threshold | | All cells > 2V, MMA = REF | ±450 | | ±550 | mV |
| PKN to GND Overdischarge Current Threshold | | | 270 | | 330 | mV |
| PKN to GND Overcharge Current Threshold | | | -220 | | -180 | mV |
| Overcurrent Fault Timer Delay | t_P -DELAY | | 330 | | 770 | ms |
| Overdischarge/Overcharge Current Fault Blanking Time | t_I -DELAY | | 1.6 | | 3.2 | ms |
| \overline{DSO} , \overline{CGO} UVO Output Sink Current | | No faults; $V_{\overline{DSO}}$, $V_{\overline{CGO}}$, $V_{UVO} = 1V$ to $27V$ | 20 | | 40 | μA |
| \overline{DSO} , \overline{CGO} Output Source Current | | $V_{\overline{DSO}} = V_{SRC} - 4V$ and $V_{\overline{CGO}} = V_{SRC} - 4V$, fault condition | 2 | | | mA |
| \overline{DSO} , \overline{CGO} , UVO Leakage Current | | $V_{\overline{DSO}} = V_{\overline{CGO}} = V_{UVO} = 27V$, fault condition | | | 0.2 | μA |
| \overline{TKO} Pull-Down Resistance | | | 100 | | | k Ω |
| \overline{TKO} Source Current | | $\overline{TKO} = GND$ | 1 | | | mA |
| \overline{DSI} , \overline{CGI} Input High Voltage | | Referenced to PKN | 2 | | | V |
| \overline{DSI} , \overline{CGI} Input Low Voltage | | Referenced to PKN | | | 0.45 | V |
| \overline{DSI} , \overline{CGI} Input Current | | $V_{\overline{DSI}} = V_{\overline{CGI}} = 5V$ | | | 1 | μA |
| \overline{WRN} Sink Current | | Fault condition, $V_{\overline{WRN}} = 0.4V$ | 2 | | | mA |
| \overline{PKF} Sink Current | | Fault condition, $V_{\overline{PKF}} = 0.4V$ | 4 | | | mA |
| \overline{PKF} , \overline{WRN} Leakage Current | | $V_{\overline{PKF}} = V_{\overline{WRN}} = 27V$ | | | 0.2 | μA |
| Undervoltage, Overvoltage, or Mismatch Fault, to \overline{DSO} , \overline{CGO} , \overline{TKO} Transition Delay | t_F -DELAY | Fault persistent for 4 consecutive sample periods | 180 | | 460 | ms |

Note 1: Specifications to $-40^\circ C$ are guaranteed by design, not production tested.

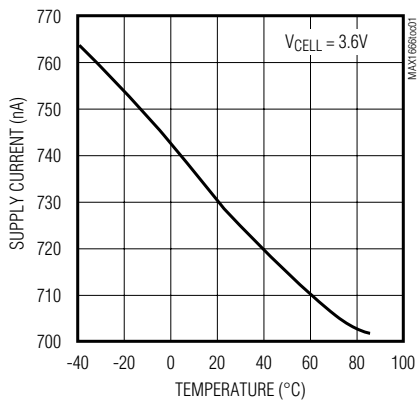
Advanced Lithium-Ion Battery-Pack Protector

Typical Operating Characteristics

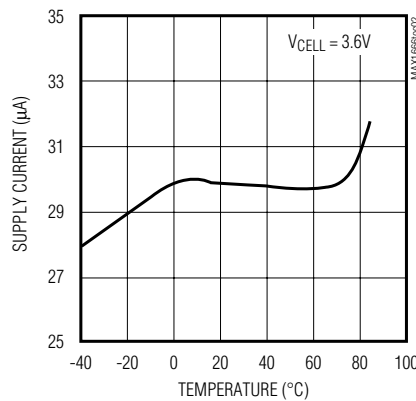
($T_A = +25^\circ\text{C}$, unless otherwise noted.)

MAX1666S/V/X

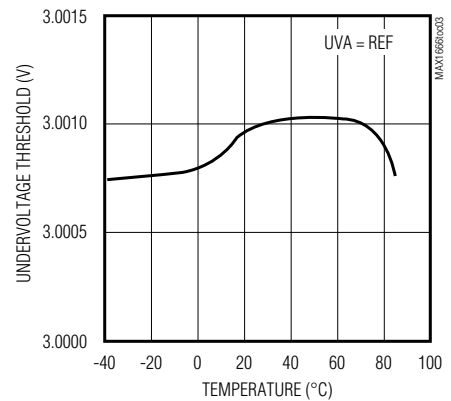
SHUTDOWN SUPPLY CURRENT vs. TEMPERATURE



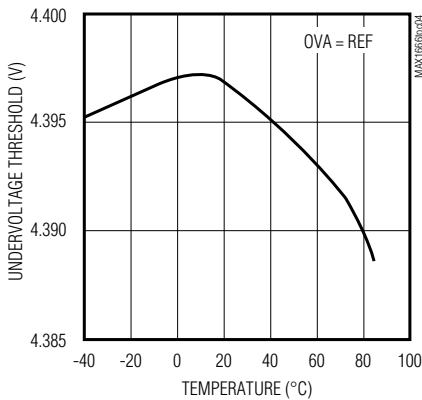
SUPPLY CURRENT vs. TEMPERATURE



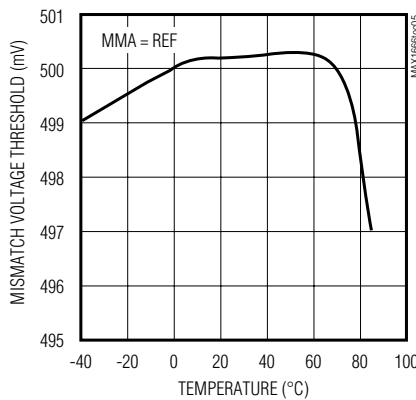
UNDERVOLTAGE THRESHOLD vs. TEMPERATURE



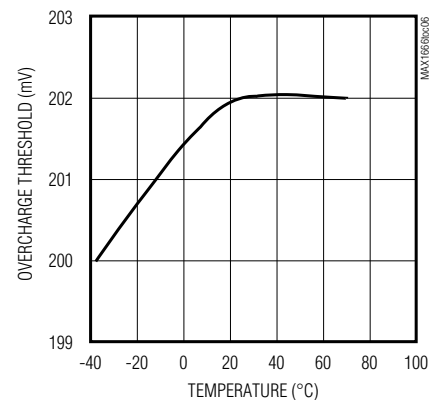
OVERVOLTAGE THRESHOLD vs. TEMPERATURE



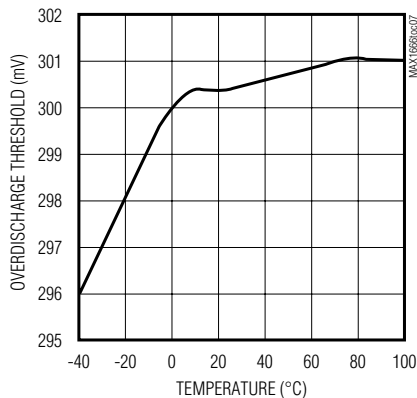
MISMATCH VOLTAGE THRESHOLD vs. TEMPERATURE



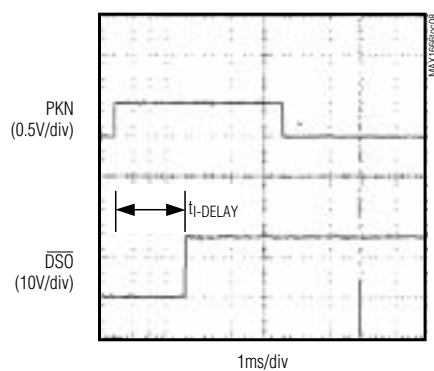
OVERCHARGE THRESHOLD vs. TEMPERATURE



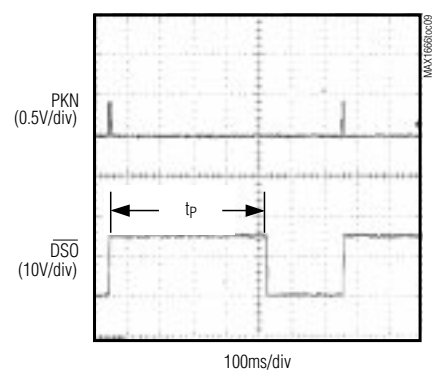
OVERDISCHARGE THRESHOLD vs. TEMPERATURE



OVERDISCHARGE PROTECTION



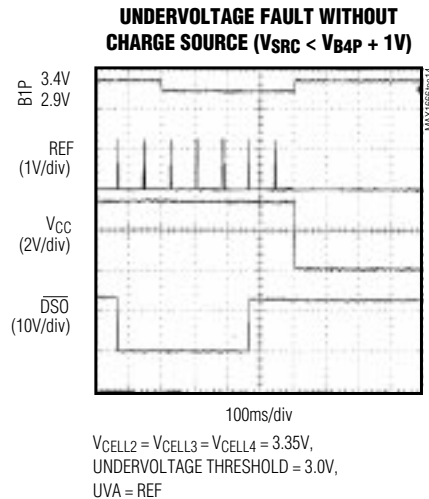
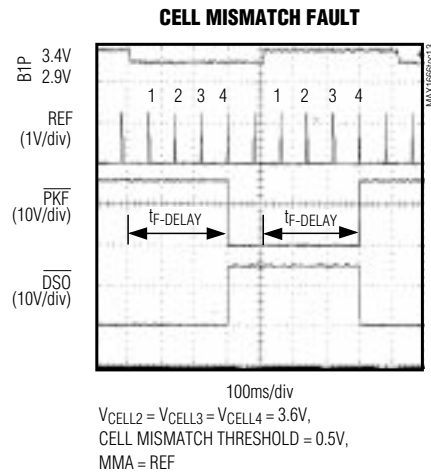
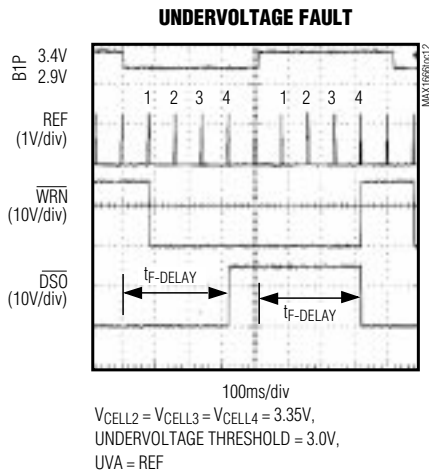
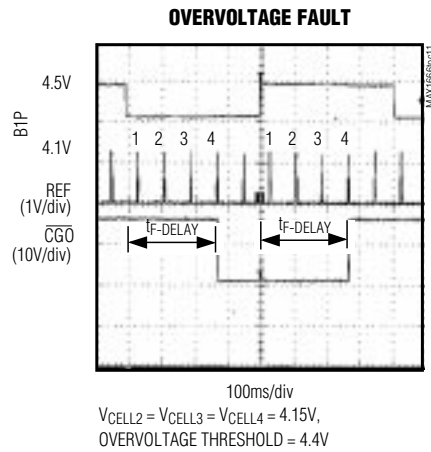
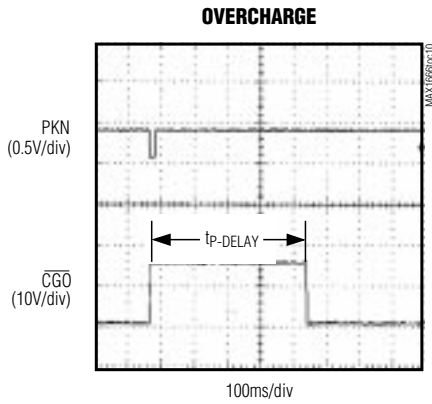
OVERDISCHARGE RECOVERY TIME



Advanced Lithium-Ion Battery-Pack Protector

Typical Operating Characteristics (continued)

($T_A = +25^\circ\text{C}$, unless otherwise noted.)



Advanced Lithium-Ion Battery-Pack Protector

Pin Description

MAX1666S/V/X

| PIN | | | NAME | FUNCTION |
|----------|----------|----------|------------------|--|
| MAX1666X | MAX1666V | MAX1666S | | |
| 1 | 1 | 1 | SRC | Charge Source Input. Provides current for gate drivers \overline{DSO} , \overline{TKO} , \overline{CGO} , and UVO. |
| 2 | 2 | 2 | \overline{DSO} | Discharge Driver Output. Drives external P-channel MOSFET to control discharge. |
| 3 | 3 | 3 | \overline{TKO} | Trickle-Charge Driver Output. Drives external P-channel MOSFET to control trickle-charge current. Internally grounded when inactive. |
| 4 | 4 | 4 | \overline{CGO} | Fast-Charge Driver Output. Drives external P-channel MOSFET to control fast charge. |
| 5 | — | — | B4P | Cell 4 Positive Input. Power supply input for MAX1666X. |
| 6 | 5, 6 | — | B3P | Cell 3 Positive Input. Power supply input for MAX1666V. |
| 7 | 7 | 5 | B2P | Cell 2 Positive Input. Power supply input for MAX1666S. |
| 8 | 8 | 6 | B1P | Cell 1 Positive Input |
| 9 | 9 | 7 | GND | Ground |
| 10 | 10 | 8 | PKN | Battery Pack Negative Terminal. Connect to bottom of current sense resistor. Ground reference for logic inputs \overline{DSI} and \overline{CGI} . |
| 11 | 11 | 9 | \overline{DSI} | Discharge Control Input |
| 12 | 12 | 10 | \overline{CGI} | Charge Control Input |
| 13 | 13 | 11 | \overline{PKF} | Pack Fail Output. \overline{PKF} goes low when any cell voltage exceeds the mismatch threshold or when a shorted cell is detected. |
| 14 | 14 | — | \overline{WRN} | Undervoltage/Overvoltage Warning Output |
| 15 | 15 | 12 | MMA | Mismatch Adjust Input. Set the mismatch threshold by a resistor-divider from REF to GND. |
| 16 | 16 | 13 | UVA | Undervoltage Adjust Input. Set the undervoltage threshold with a resistor-divider from REF to GND. |
| 17 | 17 | 14 | OVA | Overvoltage Adjust Input. Set the overvoltage threshold with a resistor-divider from REF to GND. |
| 18 | 18 | 15 | REF | Reference Voltage Output. Minimize PCB stray capacitance on this node. |
| 19 | 19 | 16 | VCC | 3.3V Linear Regulator Output. Bypass with a 0.47 μ F min capacitor to GND. |
| 20 | 20 | — | UVO | Undervoltage Fault Output |

Advanced Lithium-Ion Battery-Pack Protector

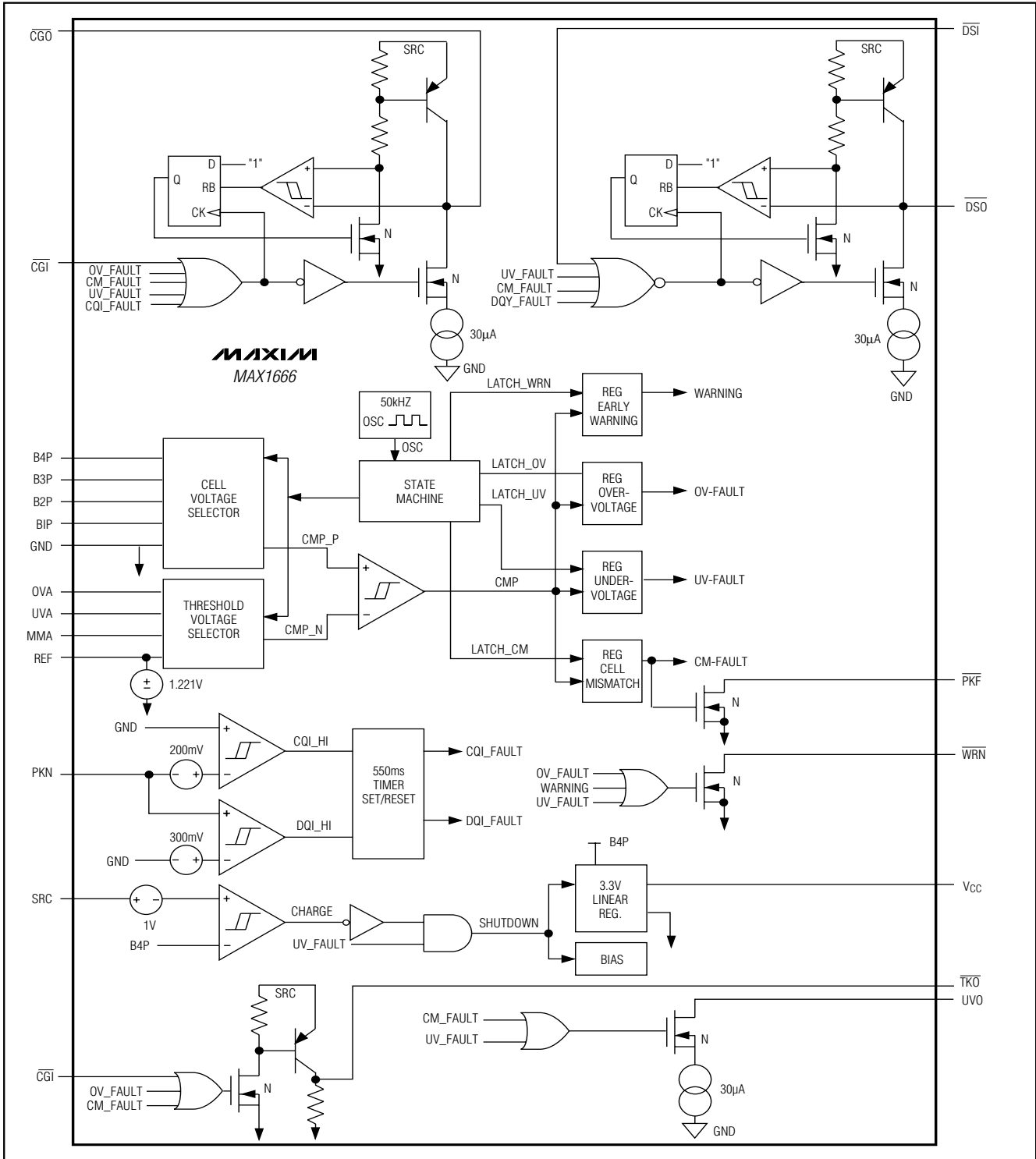


Figure 1. Functional Diagram

Advanced Lithium-Ion Battery-Pack Protector

MAX1666S/V/X

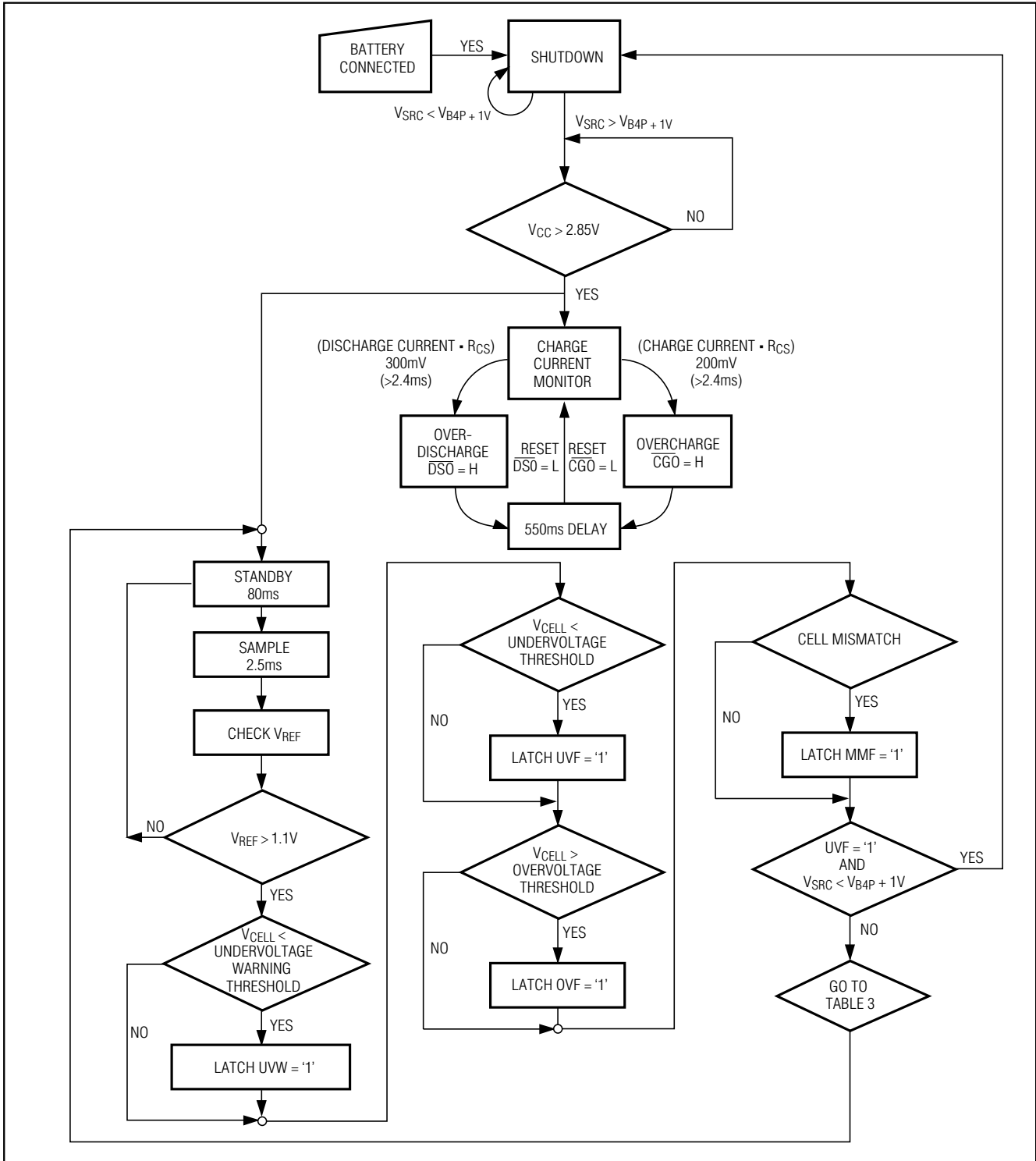


Figure 2. Cell Fault Monitor

Advanced Lithium-Ion Battery-Pack Protector

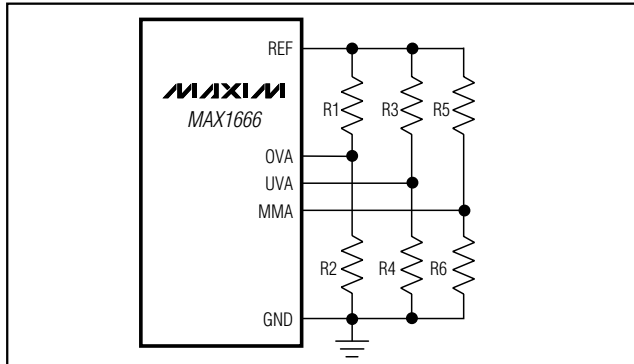


Figure 3. Using an External Resistor-Divider to Adjust Overvoltage Threshold

Detailed Description

The MAX1666 battery-pack protectors supervise the charging and discharging processes of Lithium-Ion battery cells. Designed for 2, 3, and 4-cell applications, these devices monitor the voltage across each cell to provide protection against undervoltage, overvoltage, and overcurrent damage.

Control pins $\overline{\text{CGO}}$, $\overline{\text{TKO}}$, and $\overline{\text{DSO}}$ allow control of external MOSFET gates. This allows fast charging, trickle charging, and discharging processes (see *Typical Operating Circuit*). The voltage of each cell is measured individually. Also, each cell is measured differentially between every other cell of the pack.

The MAX1666 contains a state machine, a voltage regulator, an oscillator, and other logic functions to selectively drive $\overline{\text{CGO}}$, $\overline{\text{UVO}}$, $\overline{\text{TKO}}$, $\overline{\text{DSO}}$, $\overline{\text{WRN}}$, and $\overline{\text{PKF}}$ (Figure 1).

Modes of Operation

Shutdown Mode

The MAX1666 goes into shutdown mode when a battery pack is first connected. The quiescent current is less than 1 μA . All circuitry is inactive except the com-

parator monitoring V_{SRC} and the top-cell voltage. The MAX1666 remains in shutdown mode as long as V_{SRC} is less than the top-cell voltage. When SRC is connected to an external charger and V_{SRC} is 1V above the top-cell voltage, the device goes into standby mode.

The MAX1666 returns to shutdown mode under two conditions: the battery is disconnected and then reconnected, or the device detects an undervoltage fault and no charge source.

Normal Mode

The standby state activates the bias circuitry, overcurrent comparator, and timer. The standby state lasts 80ms, then the MAX1666 goes into the sample state for 2.5ms.

Within the 2.5ms, the MAX1666 checks for overvoltage, undervoltage, and mismatch between cells sequentially, and it stores the results in internal latches. The MAX1666 drives the outputs according to the faults (if any) detected by reading the latches (Figure 2) at the end of the sample state. Then the MAX1666 returns to the standby state.

Overvoltage Protection

The MAX1666 provides overvoltage protection to avoid overcharging of any cell. When any cell is at overvoltage, $\overline{\text{CGO}}$ and $\overline{\text{TKO}}$ go high, turning off the external MOSFETs and stopping the charging process (*Typical Operating Circuits*). $\overline{\text{WRN}}$ goes low. Overvoltage is set when any cell voltage exceeds the overvoltage threshold.

Overvoltage threshold is linearly adjustable through an external 1% resistor-divider (Figure 3) from REF. Determine the overvoltage threshold (V_{OVT}) required. V_{OVT} must be between 4V and 4.4V. Set $R_{\text{TOTAL}} = R1 + R2 = 1\text{M}\Omega$. Calculate R1 and R2 as follows:

$$R2 = [(V_{\text{OVT}} - 4\text{V}) / (4.4\text{V} - 4\text{V})] \cdot R_{\text{TOTAL}}$$

$$R1 = R_{\text{TOTAL}} - R2$$

Table 1. Operating Modes

| MODE | STATE | TIME | TYPICAL QUIESCENT CURRENT (μA) | CONDITION |
|----------|---------|-------|---|---|
| Normal | Standby | 80ms | 24 | Only bias circuitry, overcurrent comparator, and timer are active. |
| | Sample | 2.5ms | 250 | All circuitry active. |
| Shutdown | — | — | 0.7 | All circuitry inactive. Device enters shutdown when it detects an undervoltage fault and $V_{\text{SRC}} < V_{\text{TOP-CELL}} + 1\text{V}$ (no charge source). |

Advanced Lithium-Ion Battery-Pack Protector

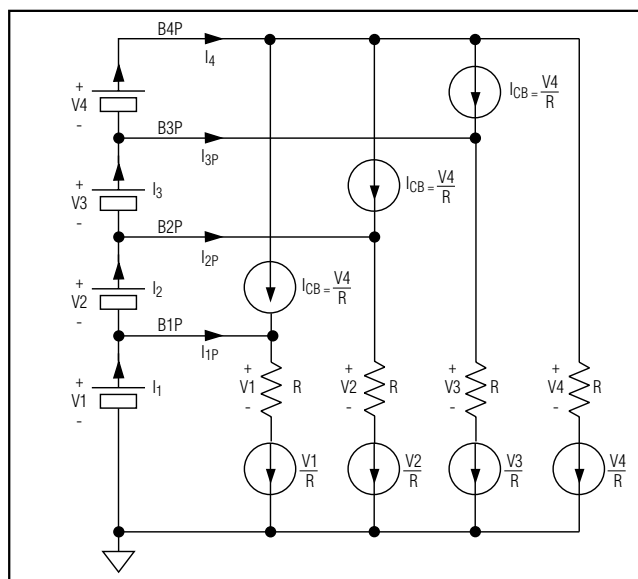


Figure 4. Cell Voltage Sampling

Maximum mismatch of 1% external resistor-dividers is $\pm 2\%$. The external adjusted overvoltage threshold accuracy includes the internal overvoltage threshold accuracy ($\pm 0.5\%$) and the error due to the external resistor-divider multiplied by maximum adjustment.

$$\pm 2\% \frac{4.4V - 4.0V}{4.4V} = \pm 0.2\%$$

The total external adjusted overvoltage threshold (V_{OVT}) accuracy is $\pm 0.7\%$.

Undervoltage Protection

The MAX1666 provides undervoltage protection to avoid overdischarging the cells. When any cell is under voltage, UVO , DSO , and CGO go high, turning off the external charging and discharging MOSFETs. TKO remains low to keep the trickle charge current on. Undervoltage threshold is linearly adjustable through an external resistor-divider (Figure 3) from REF. Determine the undervoltage threshold (V_{UVT}) required. V_{UVT} must be between 2V and 3V. Set $R_{TOTAL} = R3 + R4 = 1M\Omega$. Calculate $R3$ and $R4$ as follows:

$$R4 = [(V_{UVT} - 2V) / (3V - 2V)] R_{TOTAL}$$

$$R3 = R_{TOTAL} - R4$$

Maximum mismatch of 1% external resistor-dividers is $\pm 2.0\%$, and the error due to the external resistor-divider multiplied by maximum adjustment is $\pm 2\% (3V - 2V) / 3V = \pm 0.7\%$. The total external adjusted undervoltage

threshold (V_{UVT}) accuracy including the internal undervoltage threshold accuracy ($\pm 2.5\%$) is $\pm 3.2\%$.

Undervoltage Warning

When any cell drops to 100mV above the undervoltage threshold, WRN goes low. WRN returns high when all cells are 300mV above the undervoltage threshold.

Cell-Mismatch Protection

The MAX1666 disables charging or discharging when mismatch occurs. When any two cells are mismatched, TKO , CGO , UVO , and DSO go high, turning off the external MOSFETs. PKF goes low. PKF has a strong pull-down current ($>4mA$), and can be used to control an external thermal fuse. The cell-mismatch threshold is linearly adjustable through an external resistor-divider (Figure 3) from REF. Determine the cell-mismatch threshold (V_{CMT}) required. V_{CMT} has to be between 0 and 500mV. Set $R_{TOTAL} = R5 + R6 = 1M\Omega$. Calculate $R5$ and $R6$:

$$R6 = (V_{CMT} / 500mV) R_{TOTAL}$$

$$R5 = R_{TOTAL} - R6$$

Maximum mismatch of 1% external resistor-divider is $\pm 2\%$. The total external adjusted cell-mismatch threshold accuracy, including the internal cell-mismatch threshold accuracy ($\pm 10\%$), is $\pm 12\%$.

Cell Voltage Sampling

The MAX1666 does not introduce cell mismatch. When the battery cells are matched, the MAX1666 draws close to zero current from the intermediate cells. Figure 4 shows a simplified diagram of the voltage sampling scheme.

$$B4P: I_4 = 3I_{CB} + V_4 / R = 4V_4 / R = \text{BAT4 Current}$$

$$B3P: I_3 = I_{3P} + I_4 = \text{BAT3 Current}$$

$$I_{3P} + I_{CB} = V_3 / R \Rightarrow I_{3P} = V_3 / R - V_4 / R$$

$$I_3 = I_4 + (V_3 - V_4) / R = (3V_4 + V_3) / R$$

$$B2P: I_2 = I_{2P} + I_3 = \text{BAT2 Current}$$

$$I_{2P} + I_{CB} = V_2 / R \Rightarrow I_{2P} = V_2 / R - V_4 / R$$

$$I_2 = I_3 + V_2 / R - V_4 / R = I_4 + (V_3 - V_4) / R + (V_2 - V_4) / R = (2V_4 + V_3 + V_2) / R$$

$$B1P: I_1 = I_{1P} + I_2 = \text{BAT1 Current}$$

$$I_{1P} + I_{CB} = V_1 / R \Rightarrow I_{1P} = V_1 / R - V_4 / R$$

$$I_1 = I_2 + V_1 / R - V_4 / R = I_4 + (V_3 - V_4) / R + (V_2 - V_4) / R + (V_1 - V_4) / R$$

$$= (V_4 + V_3 + V_2 + V_1) / R$$

When $V_1 = V_2 = V_3 = V_4$, $I_{1P} = I_{2P} = I_{3P} = 0$, and $I_1 = I_2 = I_3 = I_4 = 4V_4 / R$

Advanced Lithium-Ion Battery-Pack Protector

Overcharge/Overdischarge Current Protection

The MAX1666 checks for overcharge or overdischarge current in standby and sample states. The thresholds are factory preset to 200mV and 300mV, respectively. A charge current makes PKN go below GND. A discharge current makes PKN go above GND. When PKN exceeds the threshold, a fault is acknowledged. $\overline{\text{CGO}}$ goes high when the overcharge threshold is exceeded. $\overline{\text{DSO}}$ goes high when the overdischarge threshold is exceeded. An internal 550ms timer starts. At the end of 550ms, $\overline{\text{DSO}}$ or $\overline{\text{CGO}}$ goes low, while the MAX1666 rechecks for an overcharge/overdischarge fault. A persistent fault causes $\overline{\text{DSO}}$ and $\overline{\text{CGO}}$ to return high and restarts the 550ms timer again.

Truth Table

The MAX1666 has a total of eight signal inputs and six outputs. Table 2 lists all the possible states.

Applications Information

Choosing an External MOSFET

The external P-channel MOSFETs act as a gated switch to enable or disable the charging/discharging process. $\overline{\text{CGO}}$ controls the MOSFET for normal charging of the battery. $\overline{\text{TKO}}$ controls the MOSFET for trickle charge of the cells. $\overline{\text{DSO}}$ controls the discharging MOSFET. Use different MOSFETs to optimize each function depending on the maximum charge and discharge rates. Table 3 lists some suitable MOSFETs in a small SO-8 package.

Layout Considerations and Bypassing

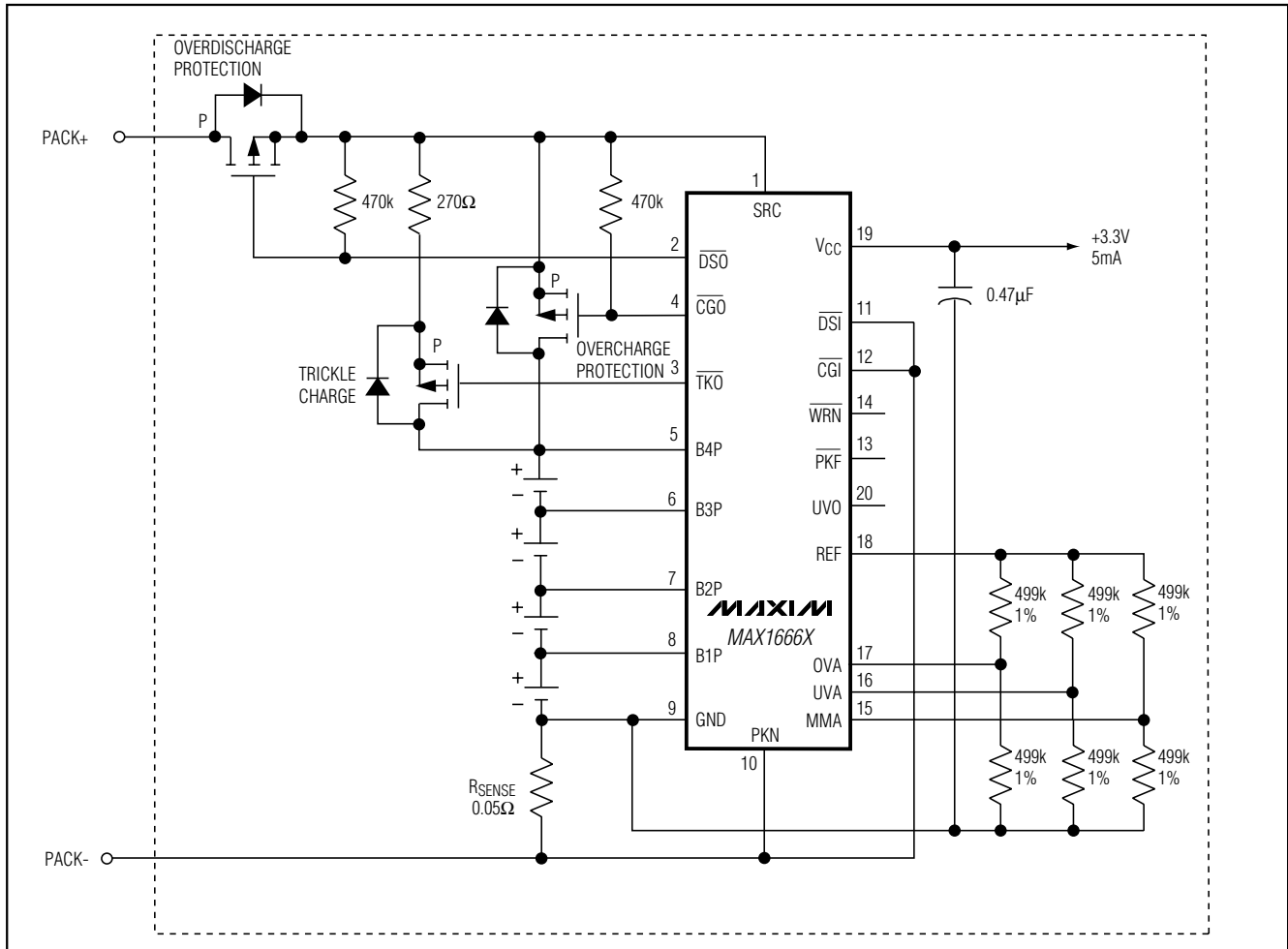
As with all printed circuit board designs, a careful layout is suggested. Minimize lead lengths to reduce losses in the traces.

Table 3. MOSFET Selection

| P-CHANNEL MOSFETs | MAXIMUM DRAIN CURRENT (A) |
|-------------------|---------------------------|
| IRF7404 | 5.3 |
| IRF7406 | 4.7 |
| Si4431 | 4.5 |
| Si4947 (dual) | 2.5 EA |

Advanced Lithium-Ion Battery-Pack Protector

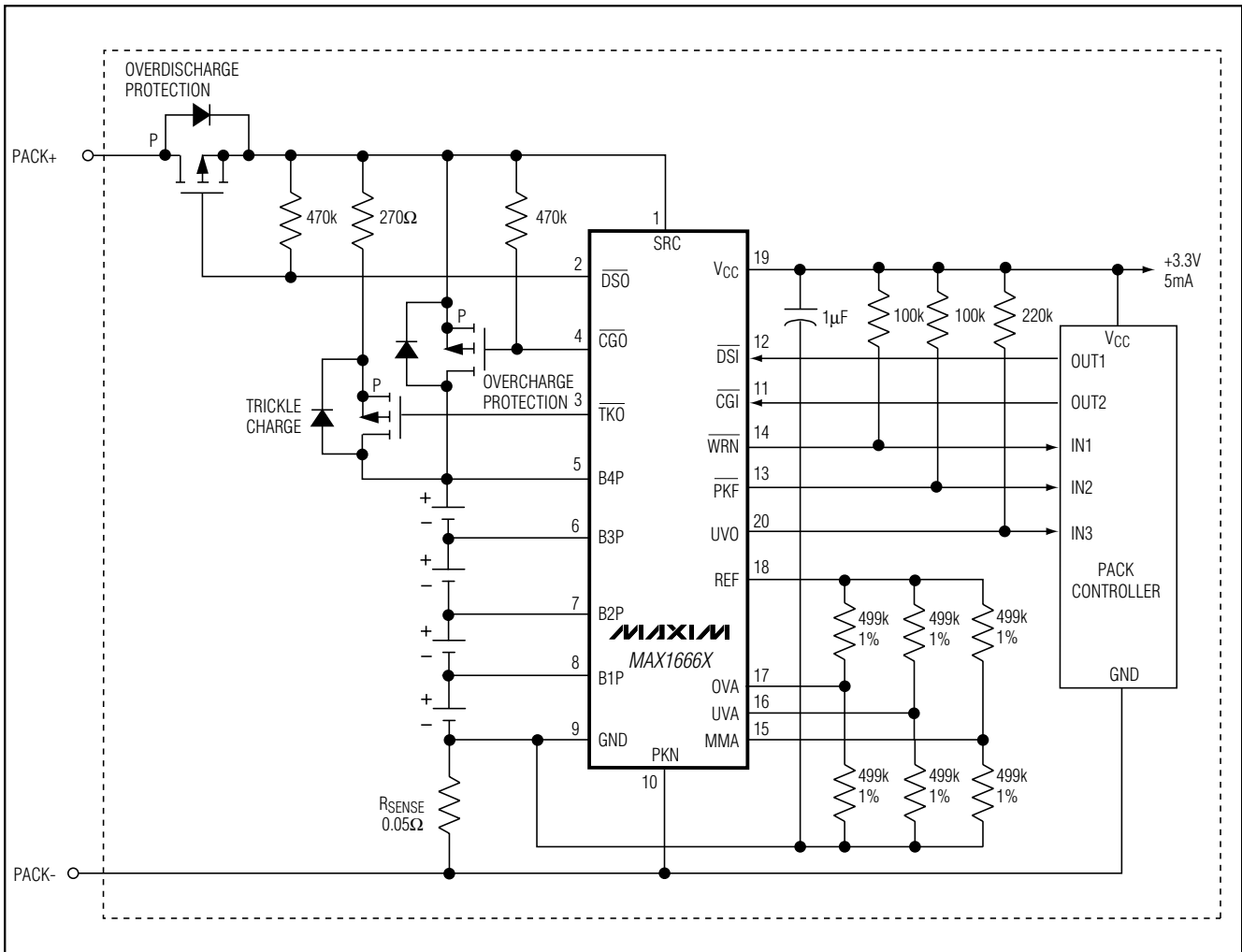
Typical Operating Circuits



Advanced Lithium-Ion Battery-Pack Protector

Typical Operating Circuits (continued)

MAX1666S/V/X



Chip Information

TRANSISTOR COUNT: 4835

Advanced Lithium-Ion Battery-Pack Protector

Package Information

| DIM | INCHES | | MILLIMETERS | |
|-----|----------------|-------|-------------|-------|
| | MIN | MAX | MIN | MAX |
| A | .061 | .068 | 1.55 | 1.73 |
| A1 | .004 | .0098 | 0.102 | 0.249 |
| A2 | .055 | .061 | 1.40 | 1.55 |
| B | .008 | .012 | 0.20 | 0.31 |
| C | .0075 | .0098 | 0.191 | 0.249 |
| D | SEE VARIATIONS | | | |
| E | .150 | .157 | 3.81 | 3.99 |
| e | .025 BSC | | 0.635 BSC | |
| H | .230 | .244 | 5.84 | 6.20 |
| h | .010 | .016 | 0.25 | 0.41 |
| L | .016 | .035 | 0.41 | 0.89 |
| N | SEE VARIATIONS | | | |
| X | SEE VARIATIONS | | | |
| Y | .071 | .087 | 1.803 | 2.209 |
| α | 0° | 8° | 0° | 8° |

| DIM | INCHES | | MILLIMETERS | | N |
|-----|--------|-------|-------------|-------|-------|
| | MIN. | MAX. | MIN. | MAX. | |
| D | .189 | .196 | 4.80 | 4.98 | 16 AA |
| S | .0020 | .0070 | 0.05 | 0.18 | |
| X | .107 | .123 | 2.72 | 3.12 | |
| D | .337 | .344 | 8.56 | 8.74 | 20 AB |
| S | .0500 | .0550 | 1.270 | 1.397 | |
| D | .337 | .344 | 8.56 | 8.74 | 24 AC |
| S | .0250 | .0300 | 0.635 | 0.762 | |
| D | .386 | .393 | 9.80 | 9.98 | 28 AD |
| S | .0250 | .0300 | 0.635 | 0.762 | |
| X | .271 | .287 | 6.88 | 7.29 | |

NOTES:

- D & E DO NOT INCLUDE MOLD FLASH OR PROTRUSIONS
- MOLD FLASH OR PROTRUSIONS NOT TO EXCEED .006" PER SIDE.
- HEAT SLUG DIMENSIONS X AND Y APPLY ONLY TO 16 AND 28 LEAD POWER-QSOP PACKAGES.
- CONTROLLING DIMENSIONS: INCHES.

MAXIM

PROPRIETARY INFORMATION

TITLE:

PACKAGE OUTLINE, QSOP, .150", .025" LEAD PITCH

| | | | |
|----------|----------------------|-----|-----|
| APPROVAL | DOCUMENT CONTROL NO. | REV | 1/1 |
| | 21-0055 | B | |

QSOP:EPS

Maxim cannot assume responsibility for use of any circuitry other than circuitry entirely embodied in a Maxim product. No circuit patent licenses are implied. Maxim reserves the right to change the circuitry and specifications without notice at any time.