

MC100LVEP111

Low-Voltage 1:10 Differential LVECL/LVPECL/LVEPECL/HSTL Clock Driver

The MC100LVEP111 is a low skew 1-to-10 differential driver, designed with clock distribution in mind, accepting two clock sources into an input multiplexer. The LVECL/LVPECL input signals can be either differential or single-ended (if the V_{BB} output is used). HSTL inputs can be used when the LVEP111 is operating under LVPECL conditions.

The LVEP111 specifically guarantees low output-to-output skew. Optimal design, layout, and processing minimize skew within a device and from lot to lot.

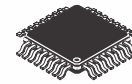
To ensure that the tight skew specification is realized, both sides of any differential output need to be terminated identically into 50Ω even if only one side is being used. When fewer than all ten pairs are used, identically terminate all the output pairs on the same package side whether used or unused. If no outputs on a single side are used, then leave these outputs open (unterminated). This will maintain minimum output skew. Failure to do this will result in a 10–20ps loss of skew margin (propagation delay) in the output(s) in use.

The MC100LVEP111, as with most other LVECL devices, can be operated from a positive V_{CC} supply in LVPECL mode. This allows the LVEP111 to be used for high performance clock distribution in +3.3V or +2.5V systems. Single ended input operation is limited to a $V_{CC} \geq 3.0V$ in LVPECL mode, or $V_{EE} \leq -3.0V$ in LVECL mode. Designers can take advantage of the LVEP111's performance to distribute low skew clocks across the backplane or the board. In a PECL environment, series or Thevenin line terminations are typically used as they require no additional power supplies. For more information on using LVPECL, designers should refer to Application Note AN1406/D.

- 100ps Part-to-Part Skew
 - 25ps Output-to-Output Skew
 - Differential Design
 - V_{BB} Output
 - 430ps Typical Propagation Delay
 - High Bandwidth to 1.5 Ghz Typical
 - LVPECL and HSTL mode: +2.375V to +3.8V V_{CC} with $V_{EE} = 0V$
 - LVECL mode: 0V V_{CC} with $V_{EE} = -2.375V$ to $-3.8V$
 - 75k Ω Internal Input Pulldown Resistors on CLKs, Pull up & Pulldown resistors on \overline{CLK} s
 - ESD Protection: >2KV HBM; >100V MM
 - Moisture Sensitivity Level 2
- For Additional Information, See Application Note AND8003/D
- Flammability Rating: UL-94 code V-0 @ 1/8", Oxygen Index 28 to 34
 - Transistor Count = 602 devices

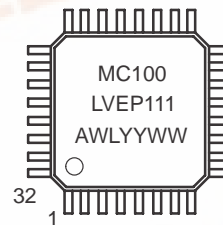


ON Semiconductor
Formerly a Division of Motorola
<http://onsemi.com>



32-LEAD TQFP
FA SUFFIX
CASE 873A

MARKING DIAGRAM*



A = Assembly Location
WL = Wafer Lot
YY = Year
WW = Work Week

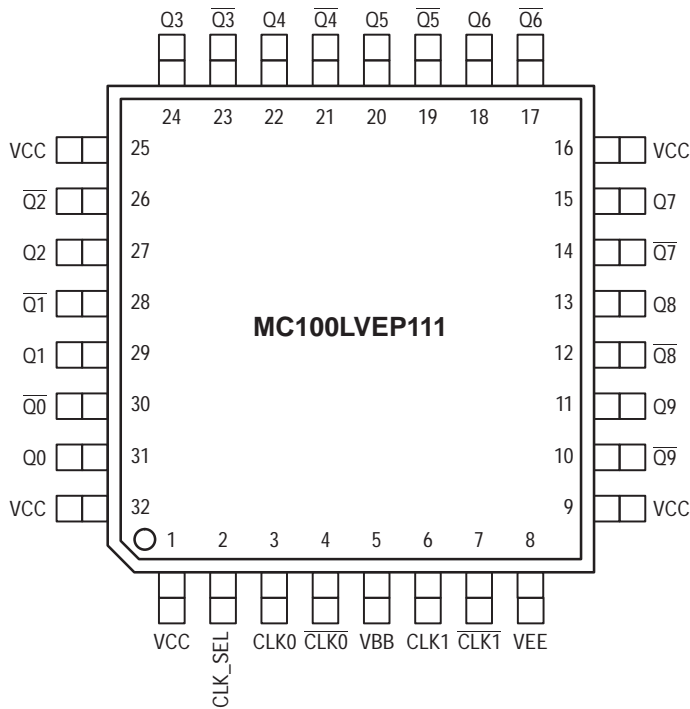
*For additional information, see Application Note AND8002/D

ORDERING INFORMATION

Device	Package	Shipping
MC100LVEP111FA	TQFP	250 Units/Tray
MC100LVEP111FAR2	TQFP	2000 Tape & Reel



MC100LVEP111



PIN DESCRIPTION

Pins	Function
CLK0, $\overline{\text{CLK0}}$	LVECL/LVPECL/HSTL CLK Input
CLK1, $\overline{\text{CLK1}}$	LVECL/LVPECL/HSTL CLK Input
Q0:9, $\overline{\text{Q0:9}}$	LVECL/LVPECL Outputs
CLK_SEL	LVECL/LVPECL Active Clock Select Input
VBB	Reference Voltage Output
VCC	Positive Supply
VEE	Negative, 0 Supply

FUNCTION TABLE

CLK_SEL	Active Input
0	CLK0, $\overline{\text{CLK0}}$
1	CLK1, $\overline{\text{CLK1}}$

Figure 1. 32-Lead TQFP Pinout
(Top View)

Warning: All V_{CC} and V_{EE} pins must be externally connected to Power Supply to guarantee proper operation.

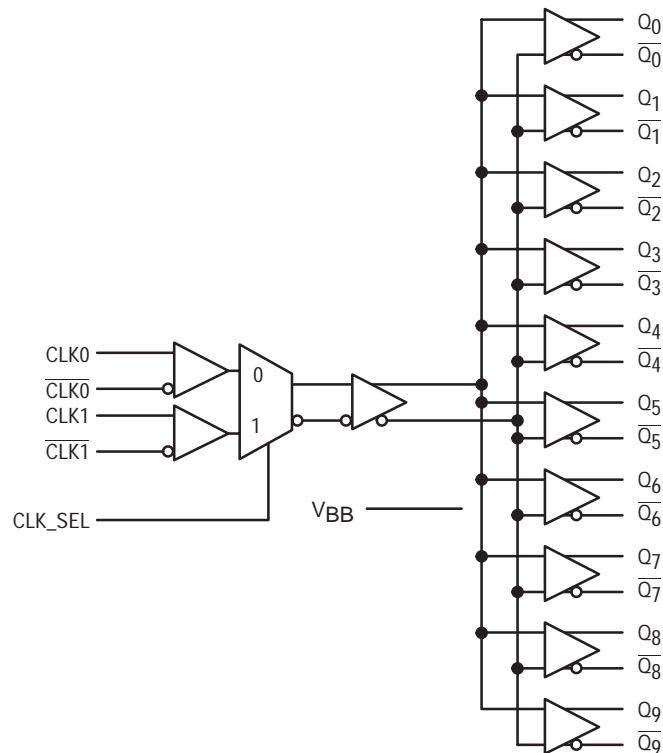


Figure 2. Logic Symbol

MC100LVEP111

MAXIMUM RATINGS*

Symbol	Parameter	Value	Unit
V_{EE}	Power Supply ($V_{CC} = 0V$)	-6.0 to 0	VDC
V_{CC}	Power Supply ($V_{EE} = 0V$)	6.0 to 0	VDC
V_I	Input Voltage ($V_{CC} = 0V$, V_I not more negative than V_{EE})	-6.0 to 0	VDC
V_I	Input Voltage ($V_{EE} = 0V$, V_I not more positive than V_{CC})	6.0 to 0	VDC
I_{out}	Output Current	50 100	mA
	Continuous Surge		
I_{BB}	V_{BB} Sink/Source Current†	± 0.5	mA
T_A	Operating Temperature Range	-40 to +85	°C
T_{stg}	Storage Temperature	-65 to +150	°C
θ_{JA}	Thermal Resistance (Junction-to-Ambient)	80 55	°C/W
	Still Air 500lfpm		
θ_{JC}	Thermal Resistance (Junction-to-Case)	12 to 17	°C/W
T_{sol}	Solder Temperature (<2 to 3 Seconds: 245°C desired)	265	°C

* Maximum Ratings are those values beyond which damage to the device may occur.

† Use for inputs of same package only.

DC CHARACTERISTICS, ECL/LVECL ($V_{CC} = 0V$, $V_{EE} = -3.3(+0.925, -0.5)V$) (Note 5.)

Symbol	Characteristic	-40°C			25°C			85°C			Unit
		Min	Typ	Max	Min	Typ	Max	Min	Typ	Max	
I_{EE}	Power Supply Current (Note 1.)	70	100	120	70	100	120	70	100	120	mA
V_{OH}	Output HIGH Voltage (Note 2.)	-1145	-1020	-0895	-1145	-1020	-0895	-1145	-1020	-0895	mV
V_{OL}	Output LOW Voltage (Note 2.)	-1995	-1820	-1650	-1995	-1820	-1650	-1995	-1820	-1650	mV
V_{IH}	Input HIGH Voltage	-1165		-0880	-1165		-0880	-1165		-0880	mV
V_{IL}	Input LOW Voltage	-1810		-1625	-1810		-1625	-1810		-1625	mV
V_{BB}	Output Reference Voltage (Note 3.)	-1525	-1425	-1325	-1525	-1425	-1325	-1525	-1425	-1325	mV
V_{IHCMR}	Input HIGH Voltage Common Mode Range (Note 4.)	$V_{EE} + 1.2$		0.0	$V_{EE} + 1.2$		0.0	$V_{EE} + 1.2$		0.0	V
I_{IH}	Input HIGH Current			150			150			150	µA
I_{IL}	Input LOW Current	0.5 -150			0.5 -150			0.5 -150		150	µA

1. $V_{CC} = 0V$, $V_{EE} = V_{EEmin}$ to V_{EEmax} , all other pins floating.

2. All loading with 50 ohms to $V_{CC} - 2.0$ volts.

3. Single ended input operation is limited $V_{EE} \leq -3.0V$ in ECL/LVECL mode.

4. V_{IHCMR} min varies 1:1 with V_{EE} , max varies 1:1 with V_{CC} .

5. Input and output parameters vary 1:1 with V_{CC} .

DC CHARACTERISTICS, HSTL ($V_{CC} = 2.5(-0.125, +1.3)V$, $V_{EE} = 0V$)

Symbol	Characteristic	-40°C			25°C			85°C			Unit
		Min	Typ	Max	Min	Typ	Max	Min	Typ	Max	
V_{IH}	Input HIGH Voltage				1200						mV
V_{IL}	Input LOW Voltage						400				mV
V_{33}	Input Crossover Voltage				680		900				mV
I_{CC}	Power Supply Current (Note 6.)	70	100	120	70	100	120	70	100	120	mA

6. $V_{CC} = 2.375V$ to $3.8V$, $V_{EE} = 0V$, all other pins floating.

MC100LVEP111

DC CHARACTERISTICS, LVPECL ($V_{CC} = 3.3V \pm 0.5V$, $V_{EE} = 0V$) (Note 11.)

Symbol	Characteristic	-40°C			25°C			85°C			Unit
		Min	Typ	Max	Min	Typ	Max	Min	Typ	Max	
I _{EE}	Power Supply Current (Note 7.)	70	100	120	70	100	120	70	100	120	mA
V _{OH}	Output HIGH Voltage (Note 8.)	2155	2280	2405	2155	2280	2405	2155	2280	2405	mV
V _{OL}	Output LOW Voltage (Note 8.)	1305	1480	1650	1305	1480	1650	1305	1480	1650	mV
V _{IH}	Input HIGH Voltage	2135		2420	2135		2420	2135		2420	mV
V _{IL}	Input LOW Voltage	1490		1675	1490		1675	1490		1675	mV
V _{BB}	Output Reference Voltage (Note 9.)	1775	1875	1975	1775	1875	1975	1775	1875	1975	mV
V _{IHCMR}	Input HIGH Voltage Common Mode Range (Note 10.)	1.2		3.3	1.2		3.3	1.2		3.3	V
I _{IH}	Input HIGH Current			150			150			150	μA
I _{IL}	Input LOW Current	0.5 -150			0.5 -150			0.5 -150		150	μA

7. V_{CCmin} to V_{CCmax} .

8. All loading with 50 ohms to $V_{CC}-2.0$ volts.

9. Single ended input operation is limited $V_{CC} \geq 3.0V$ in PECL mode.

10. V_{IHCMR} min varies 1:1 with V_{EE} , max varies 1:1 with V_{CC} .

11. Input and output parameters vary 1:1 with V_{CC} .

DC CHARACTERISTICS, LVEPECL ($V_{CC} = 2.5V \pm 0.125V$, $V_{EE} = 0V$) (Note 15.)

Symbol	Characteristic	-40°C			25°C			85°C			Unit
		Min	Typ	Max	Min	Typ	Max	Min	Typ	Max	
I _{EE}	Power Supply Current (Note 12.)	70	100	120	70	100	120	70	100	120	mA
V _{OH}	Output HIGH Voltage (Note 13.)	1355	1480	1605	1355	1480	1605	1355	1480	1605	mV
V _{OL}	Output LOW Voltage (Note 13.)	505	680	850	505	680	850	505	680	850	mV
V _{IH}	Input HIGH Voltage	1335		1620	1335		1620	1335		1620	mV
V _{IL}	Input LOW Voltage	690		875	690		875	690		875	mV
V _{IHCMR}	Input HIGH Voltage Common Mode Range (Note 14.)	1.2		2.5	1.2		2.5	1.2		2.5	V
I _{IH}	Input HIGH Current			150			150			150	μA
I _{IL}	Input LOW Current	0.5 -150			0.5 -150			0.5 -150		150	μA

12. V_{CCmin} to V_{CCmax} .

13. All loading with 50 ohms to V_{EE} .

14. V_{IHCMR} min varies 1:1 with V_{EE} , max varies 1:1 with V_{CC} .

15. Input and output parameters vary 1:1 with V_{CC} .

AC CHARACTERISTICS ($V_{CC} = 0V$; $V_{EE} = -2.5(+0.125, -1.3)V$)

Symbol	Characteristic	-40°C			25°C			85°C			Unit
		Min	Typ	Max	Min	Typ	Max	Min	Typ	Max	
f _{maxLVPECL}	Maximum Input Frequency for LVECL and LVPECL		1.5			1.5			1.5		GHz
f _{maxHSTL}	Maximum Input Frequency for HSTL		250			250			250		MHz
t _{PLH} t _{PHL}	Propagation Delay to Output IN (differential)	300	400	500	310	430	550	350	510	625	ps
t _{skew}	Within-Device Skew (17.) Part-to-Part Skew (Diff) (18.)		20 100			20 100	25		20 100		ps
V _{PP}	Minimum Input Swing	150	800	1200	150	800	1200	150	800	1200	mV
t _r /t _f	Output Rise/Fall Time (20%-80%)	100	180	300	120	200	320	130	230	375	ps

16. F_{max} guaranteed for functionality only.

17. Skew is measured between outputs under identical transitions and conditions on any one device.

18. Part-to-part skew for identical transitions at identical V_{CC} levels.


MC100LVEP111

Notes

MC100LVEP111

Notes

MC100LVEP111

ON Semiconductor and  are trademarks of Semiconductor Components Industries, LLC (SCILLC). SCILLC reserves the right to make changes without further notice to any products herein. SCILLC makes no warranty, representation or guarantee regarding the suitability of its products for any particular purpose, nor does SCILLC assume any liability arising out of the application or use of any product or circuit, and specifically disclaims any and all liability, including without limitation special, consequential or incidental damages. "Typical" parameters which may be provided in SCILLC data sheets and/or specifications can and do vary in different applications and actual performance may vary over time. All operating parameters, including "Typicals" must be validated for each customer application by customer's technical experts. SCILLC does not convey any license under its patent rights nor the rights of others. SCILLC products are not designed, intended, or authorized for use as components in systems intended for surgical implant into the body, or other applications intended to support or sustain life, or for any other application in which the failure of the SCILLC product could create a situation where personal injury or death may occur. Should Buyer purchase or use SCILLC products for any such unintended or unauthorized application, Buyer shall indemnify and hold SCILLC and its officers, employees, subsidiaries, affiliates, and distributors harmless against all claims, costs, damages, and expenses, and reasonable attorney fees arising out of, directly or indirectly, any claim of personal injury or death associated with such unintended or unauthorized use, even if such claim alleges that SCILLC was negligent regarding the design or manufacture of the part. SCILLC is an Equal Opportunity/Affirmative Action Employer.

PUBLICATION ORDERING INFORMATION

NORTH AMERICA Literature Fulfillment:

Literature Distribution Center for ON Semiconductor
P.O. Box 5163, Denver, Colorado 80217 USA
Phone: 303-675-2175 or 800-344-3860 Toll Free USA/Canada
Fax: 303-675-2176 or 800-344-3867 Toll Free USA/Canada
Email: ONlit@hibbertco.com
Fax Response Line: 303-675-2167 or 800-344-3810 Toll Free USA/Canada

N. American Technical Support: 800-282-9855 Toll Free USA/Canada

EUROPE: LDC for ON Semiconductor – European Support

German Phone: (+1) 303-308-7140 (M-F 1:00pm to 5:00pm Munich Time)
Email: ONlit-german@hibbertco.com
French Phone: (+1) 303-308-7141 (M-F 1:00pm to 5:00pm Toulouse Time)
Email: ONlit-french@hibbertco.com
English Phone: (+1) 303-308-7142 (M-F 12:00pm to 5:00pm UK Time)
Email: ONlit@hibbertco.com

EUROPEAN TOLL-FREE ACCESS*: 00-800-4422-3781

*Available from Germany, France, Italy, England, Ireland

CENTRAL/SOUTH AMERICA:

Spanish Phone: 303-308-7143 (Mon-Fri 8:00am to 5:00pm MST)
Email: ONlit-spanish@hibbertco.com

ASIA/PACIFIC: LDC for ON Semiconductor – Asia Support

Phone: 303-675-2121 (Tue-Fri 9:00am to 1:00pm, Hong Kong Time)
Toll Free from Hong Kong & Singapore:
001-800-4422-3781
Email: ONlit-asia@hibbertco.com

JAPAN: ON Semiconductor, Japan Customer Focus Center
4-32-1 Nishi-Gotanda, Shinagawa-ku, Tokyo, Japan 141-8549
Phone: 81-3-5740-2745
Email: r14525@onsemi.com

ON Semiconductor Website: <http://onsemi.com>

For additional information, please contact your local Sales Representative.