



**VN02NSP
VN02NPT**

HIGH SIDE SMART POWER SOLID STATE RELAY

PRELIMINARY DATA

TYPE	V _{DSS}	R _{DS(on)}	I _{OUT}	V _{CC}
VN02NSP	60 V	0.4 Ω	6 A	26 V
VN02NPT	60 V	0.4 Ω	6 A	26 V

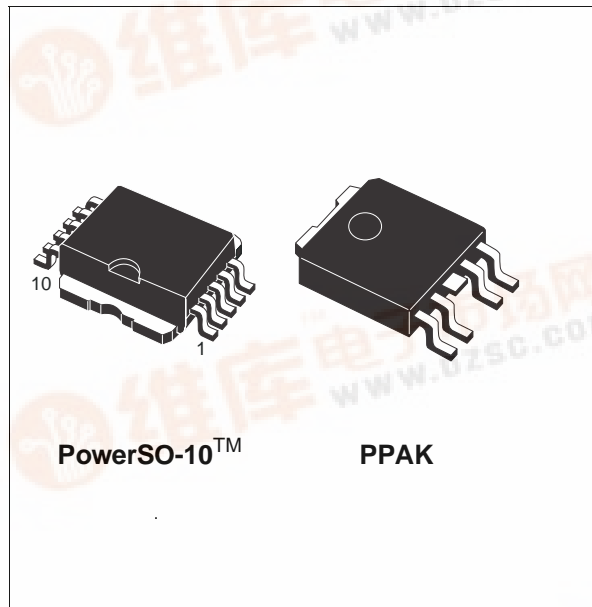
- OUTPUT CURRENT (CONTINUOUS):
6A @ T_c=25°C
- 5V LOGIC LEVEL COMPATIBLE INPUT
- THERMAL SHUT-DOWN
- UNDER VOLTAGE SHUT-DOWN
- OPEN DRAIN DIAGNOSTIC OUTPUT
- VERY LOW STAND-BY POWER
DISSIPATION

DESCRIPTION

The VN02NSP/VN02NPT are monolithic devices made using SGS-THOMSON Vertical Intelligent Power Technology, intended for driving resistive or inductive loads with one side grounded.

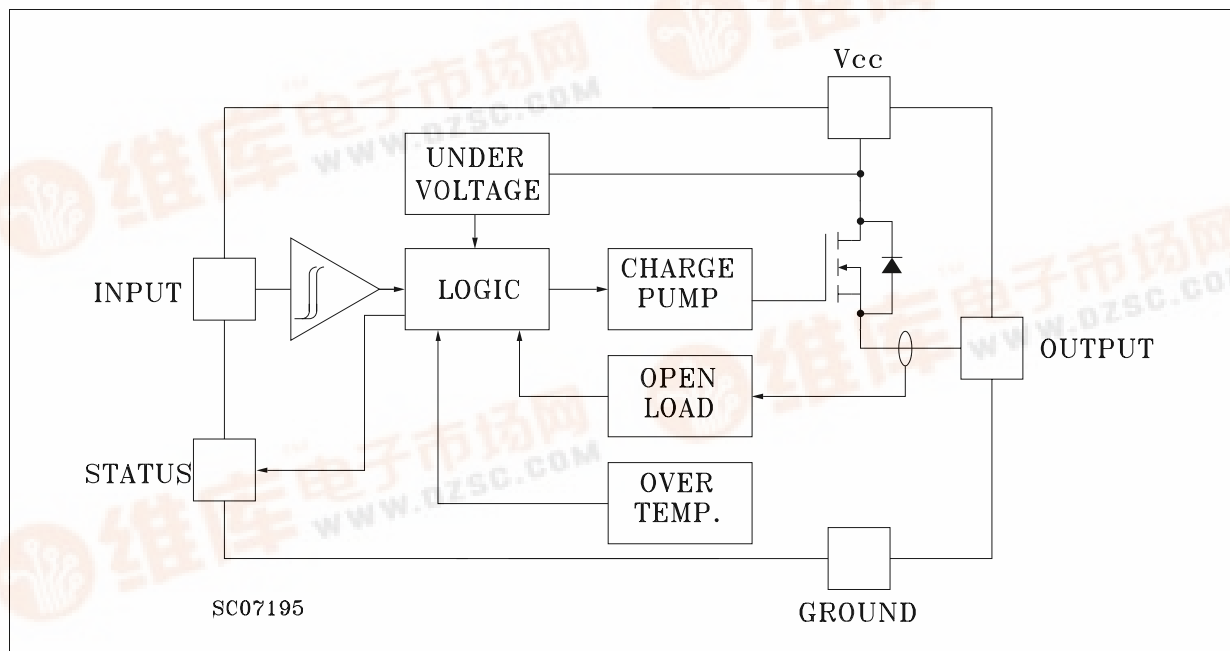
Built-in thermal shut-down protects the chip from over temperature and short circuit.

The input control is 5V logic level compatible.



The open drain diagnostic output indicates open circuit (no load) and over temperature status.

BLOCK DIAGRAM

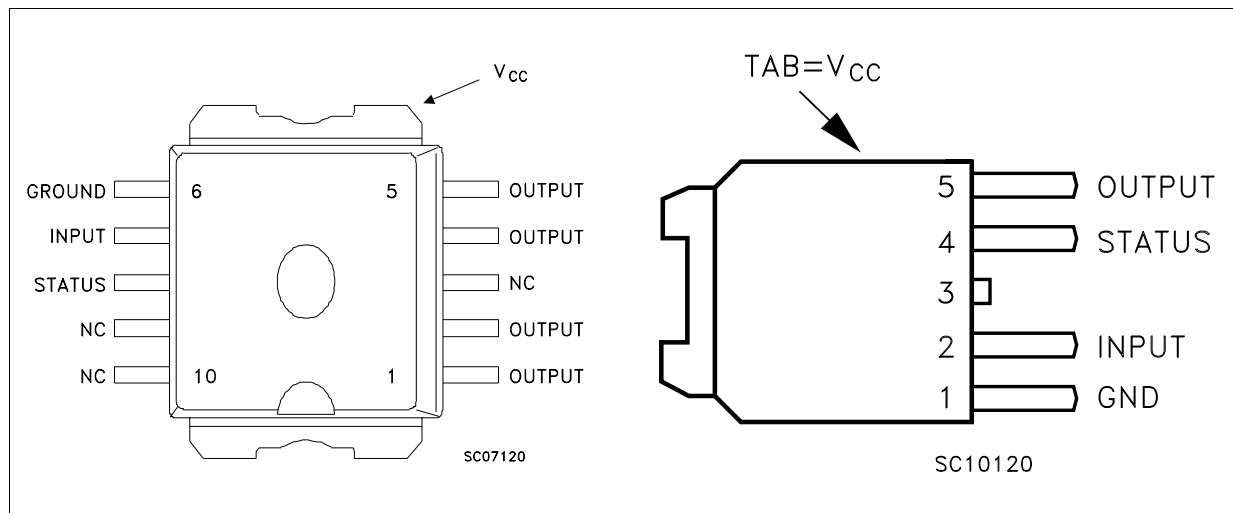


VN02NSP/VN02NPT

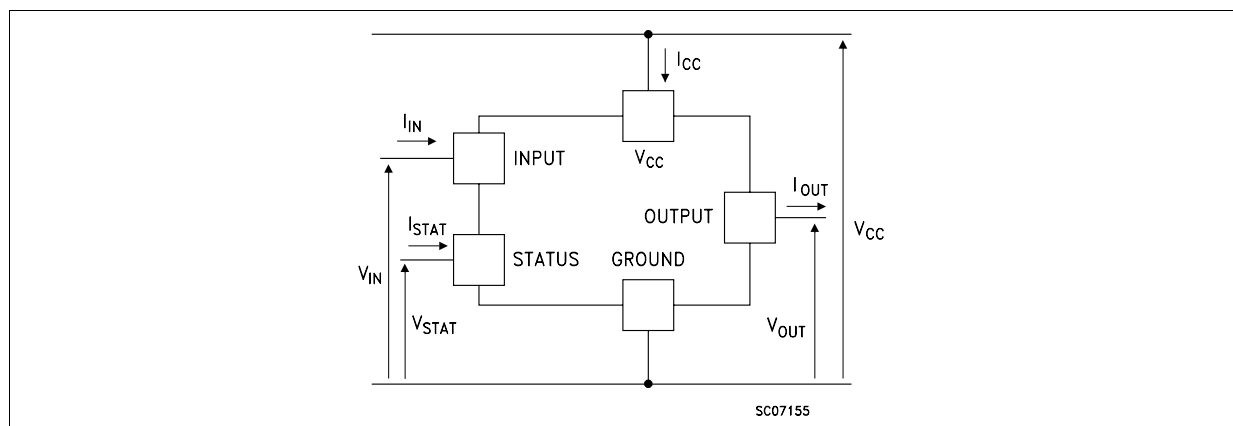
ABSOLUTE MAXIMUM RATING

Symbol	Parameter	Value		Unit
		PowerSO-10	PPAK	
$V_{(BR)DSS}$	Drain-Source Breakdown Voltage	60		V
I_{OUT}	Output Current (cont.)	6		A
I_R	Reverse Output Current	-6		A
I_{IN}	Input Current	± 10		mA
$-V_{CC}$	Reverse Supply Voltage	-4		V
I_{STAT}	Status Current	± 10		mA
V_{ESD}	Electrostatic Discharge (1.5 k Ω , 100 pF)	2000		V
P_{tot}	Power Dissipation at $T_c \leq 25^\circ\text{C}$	58	46	W
T_j	Junction Operating Temperature	-40 to 150		$^\circ\text{C}$
T_{stg}	Storage Temperature	-55 to 150		$^\circ\text{C}$

CONNECTION DIAGRAMS



CURRENT AND VOLTAGE CONVENTIONS



THERMAL DATA

			PowerSO-10	PPAK	
R _{thj-case}	Thermal Resistance Junction-case	Max	2.14	3.33	°C/W
R _{thj-amb}	Thermal Resistance Junction-ambient (\$)	Max	62.5	100	°C/W

(\$) When mounted using minimum recommended pad size on FR-4 board

ELECTRICAL CHARACTERISTICS (V_{CC} = 13 V; -40 ≤ T_j ≤ 125 °C unless otherwise specified)

POWER

Symbol	Parameter	Test Conditions	Min.	Typ.	Max.	Unit
V _{CC}	Supply Voltage		7		26	V
R _{on}	On State Resistance	I _{OUT} = 3 A I _{OUT} = 3 A T _j = 25 °C			0.8 0.4	Ω Ω
I _s	Supply Current	Off State T _j ≥ 25 °C On State			50 15	μA mA

SWITCHING

Symbol	Parameter	Test Conditions	Min.	Typ.	Max.	Unit
t _{d(on)}	Turn-on Delay Time Of Output Current	I _{OUT} = 3 A Resistive Load Input Rise Time < 0.1 μs T _j = 25 °C		10		μs
t _r	Rise Time Of Output Current	I _{OUT} = 3 A Resistive Load Input Rise Time < 0.1 μs T _j = 25 °C		15		μs
t _{d(off)}	Turn-off Delay Time Of Output Current	I _{OUT} = 3 A Resistive Load Input Rise Time < 0.1 μs T _j = 25 °C		15		μs
t _f	Fall Time Of Output Current	I _{OUT} = 3 A Resistive Load Input Rise Time < 0.1 μs T _j = 25 °C		6		μs
(di/dt) _{on}	Turn-on Current Slope	I _{OUT} = 3 A I _{OUT} = I _{OV}			0.5 2	A/μs A/μs
(di/dt) _{off}	Turn-off Current Slope	I _{OUT} = 3 A I _{OUT} = I _{OV}			2 4	A/μs A/μs

LOGIC INPUT

Symbol	Parameter	Test Conditions	Min.	Typ.	Max.	Unit
V _{IL}	Input Low Level Voltage				0.8	V
V _{IH}	Input High Level Voltage		2		(*)	V
V _{I(hyst.)}	Input Hysteresis Voltage			0.5		V
I _{IN}	Input Current	V _{IN} = 5 V		250	500	μA
V _{ICL}	Input Clamp Voltage	I _{IN} = 10 mA I _{IN} = -10 mA		6 -0.7		V V

VN02NSP/VN02NPT

ELECTRICAL CHARACTERISTICS (continued) PROTECTION AND DIAGNOSTICS

Symbol	Parameter	Test Conditions	Min.	Typ.	Max.	Unit
V _{STAT} (•)	Status Voltage Output Low	I _{STAT} = 1.6 mA			0.4	V
V _{USD}	Under Voltage Shut Down			6.5		V
V _{SCL} ()	Status Clamp Voltage	I _{STAT} = 10 mA I _{STAT} = -10 mA		6 -0.7		V V
t _{SC}	Switch-off Time in Short Circuit Condition at Start-Up	R _{LOAD} < 10 mΩ T _c = 25 °C		1.5	5	ms
I _{OV}	Over Current	R _{LOAD} < 10 mΩ -40 T _c 125 °C			28	A
I _{AV}	Average Current in Short Circuit	R _{LOAD} < 10 mΩ T _c = 85 °C		0.9		A
I _{OL}	Open Load Current Level		5		70	mA
T _{TSD}	Thermal Shut-down Temperature		140			°C
T _R	Reset Temperature		125			°C

(*) The V_{IH} is internally clamped at 6V about. It is possible to connect this pin to an higher voltage via an external resistor calculated to not exceed 10 mA at the input pin. @NOTE = () Status determination > 100 μs after the switching edge.

FUNCTIONAL DESCRIPTION

The device has a diagnostic output which indicates open circuit (no load) and over temperature conditions. The output signals are processed by internal logic.

To protect the device against short circuit and over-current condition, the thermal protection turns the integrated Power MOS off at a minimum junction temperature of 140 °C. When the temperature returns to about 125 °C the switch is automatically turned on again.

In short circuit conditions the protection reacts with virtually no delay, the sensor being located in the region of the die where the heat is generated.

PROTECTING THE DEVICE AGAINST REVERSE BATTERY

The simplest way to protect the device against a continuous reverse battery voltage (-26V) is to insert a Schottky diode between pin 1 (GND) and ground, as shown in the typical application circuit (fig. 3).

The consequences of the voltage drop across this diode are as follows:

- If the input is pulled to power GND, a negative voltage of -V_F is seen by the device. (V_{IL}, V_{IH} thresholds and V_{STAT} are increased by V_F with respect to power GND).

The undervoltage shutdown level is increased by V_F.

If there is no need for the control unit to handle external analog signals referred to the power GND, the best approach is to connect the reference potential of the control unit to node [1] (see application circuit infig. 4), which becomes the common signal GND for the whole control board.

In this way no shift of V_{IH}, V_{IL} and V_{STAT} takes place and no negative voltage appears on the INPUT pin; this solution allows the use of a standard diode, with a breakdown voltage able to handle any ISO normalized negative pulses that occurs in the automotive environment.

TRUTH TABLE

	INPUT	OUTPUT	DIAGNOSTIC
Normal Operation	L	L	H
	H	H	H
Open Circuit (No Load)	H	H	L
Over-temperature	H	L	L
Under-voltage	X	L	H

Figure 1: Waveforms

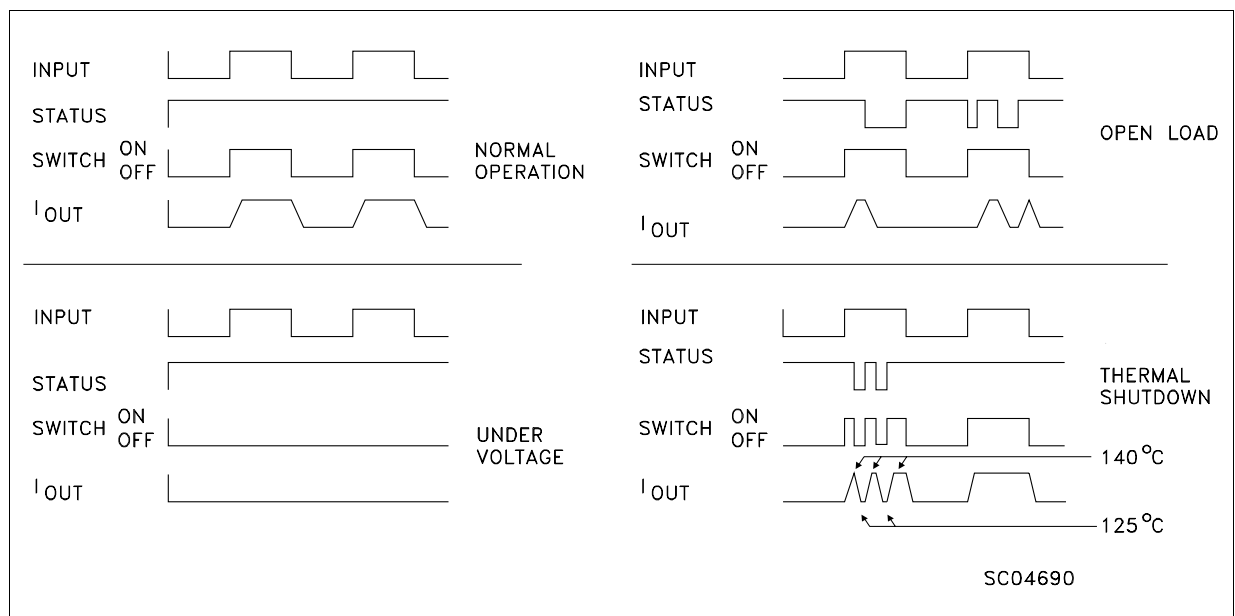
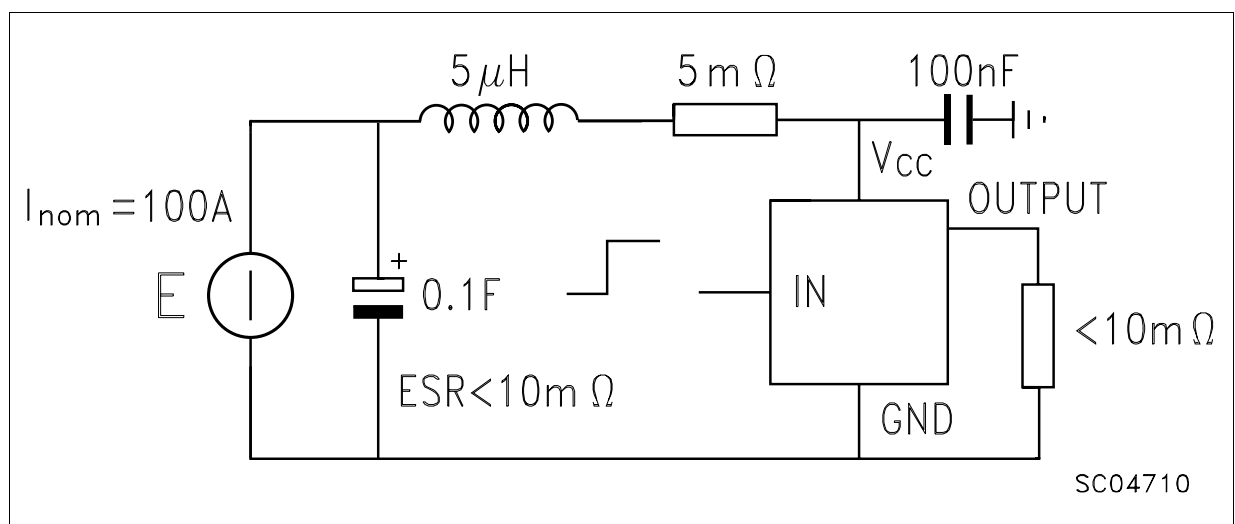


Figure 2: Over Current Test Circuit



VN02NSP/VN02NPT

Figure 3: Typical Application Circuit With A Schottky Diode For Reverse Supply Protection

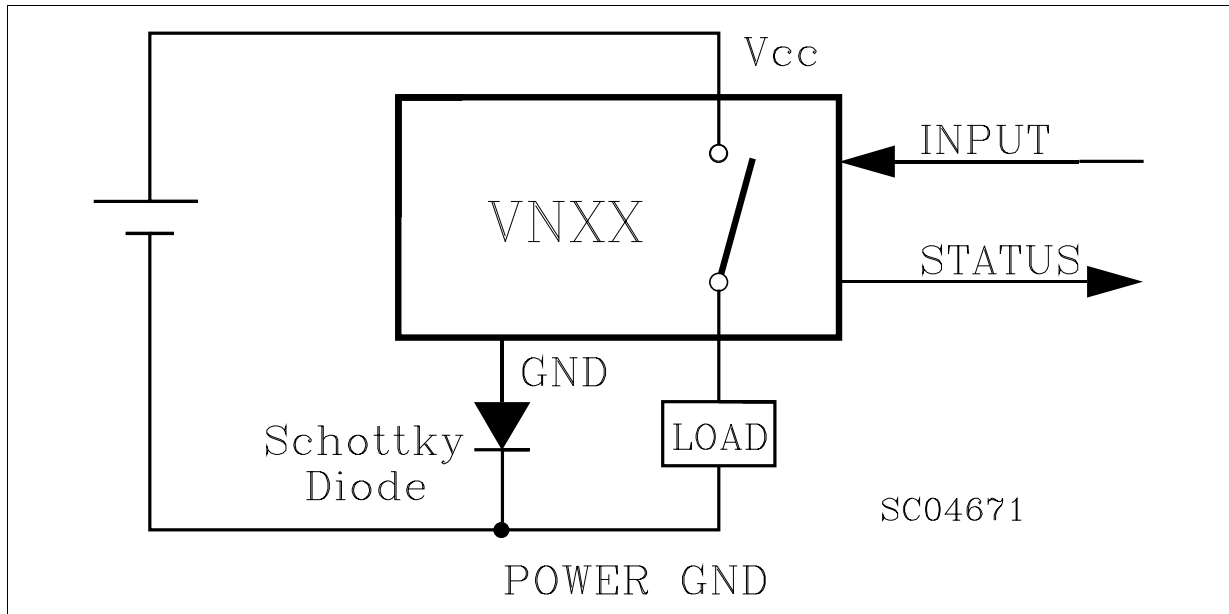
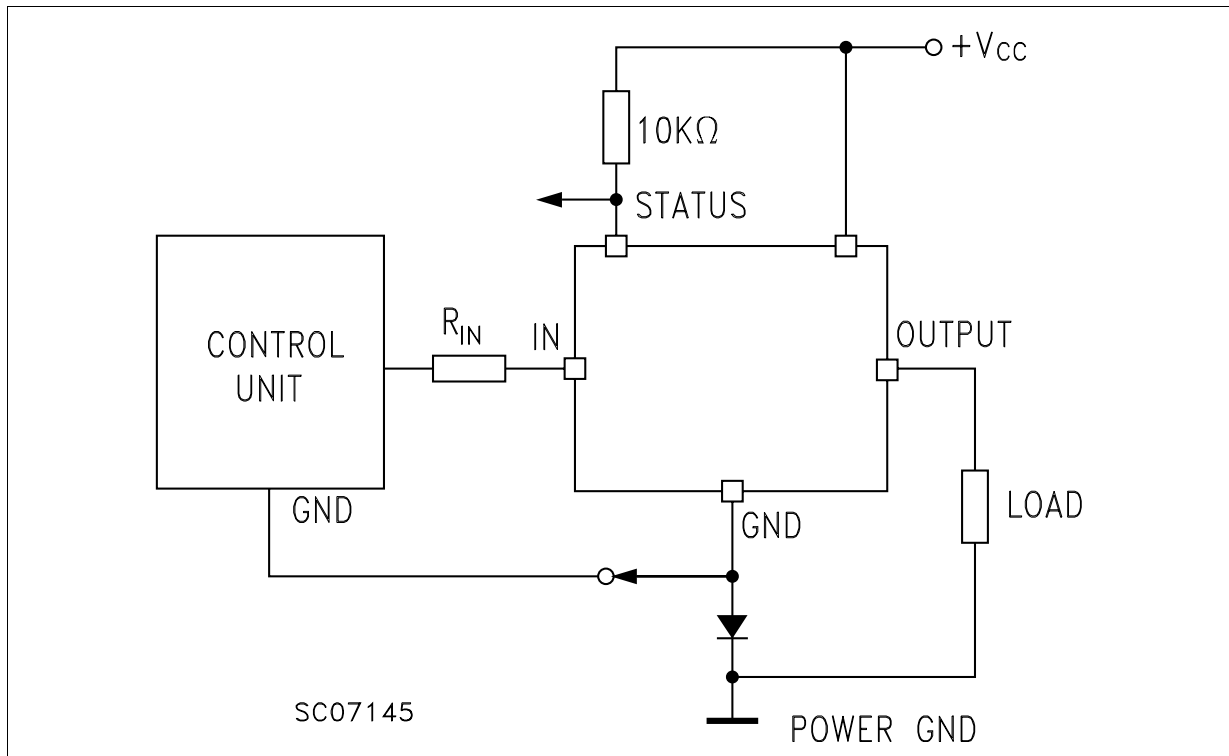
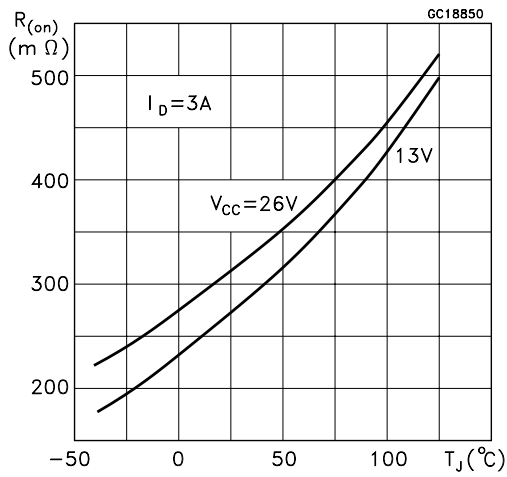


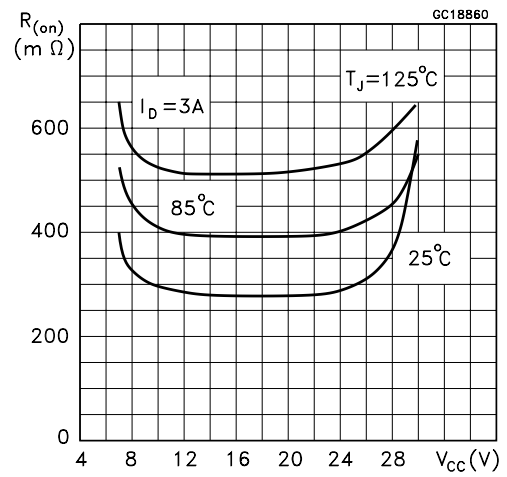
Figure 4: Typical Application Circuit With Separate Signal Ground



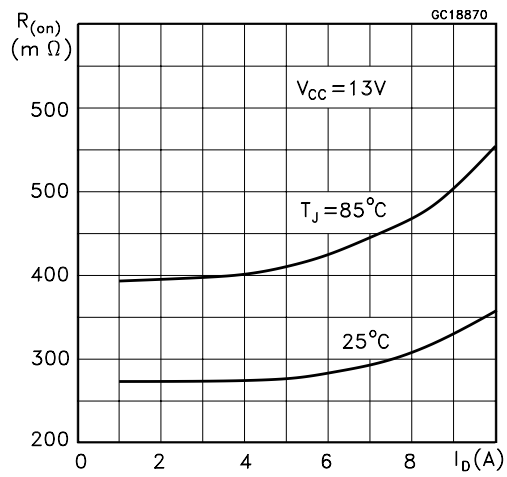
R_{DS(on)} vs Junction Temperature



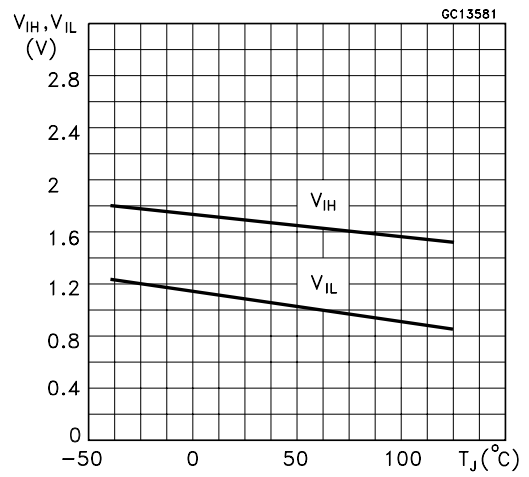
R_{DS(on)} Vs Supply Voltage



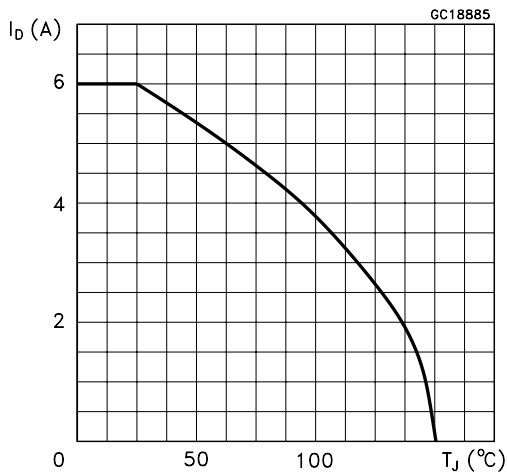
R_{DS(on)} Vs Output Current



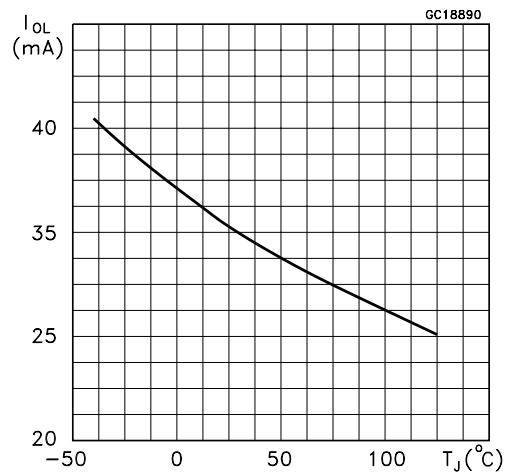
Input Voltage vs Junction Temperature



Output Current Derating



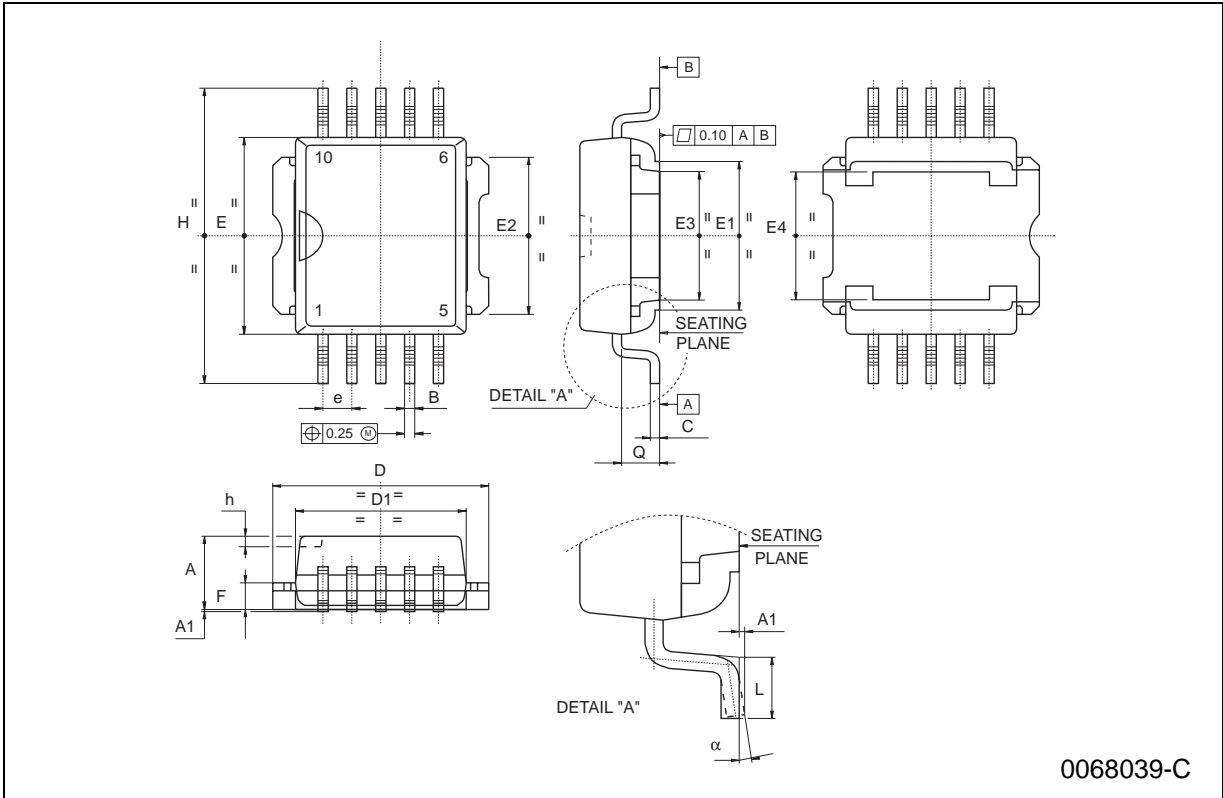
Open Load vs Junction Temperature



VN02NSP/VN02NPT

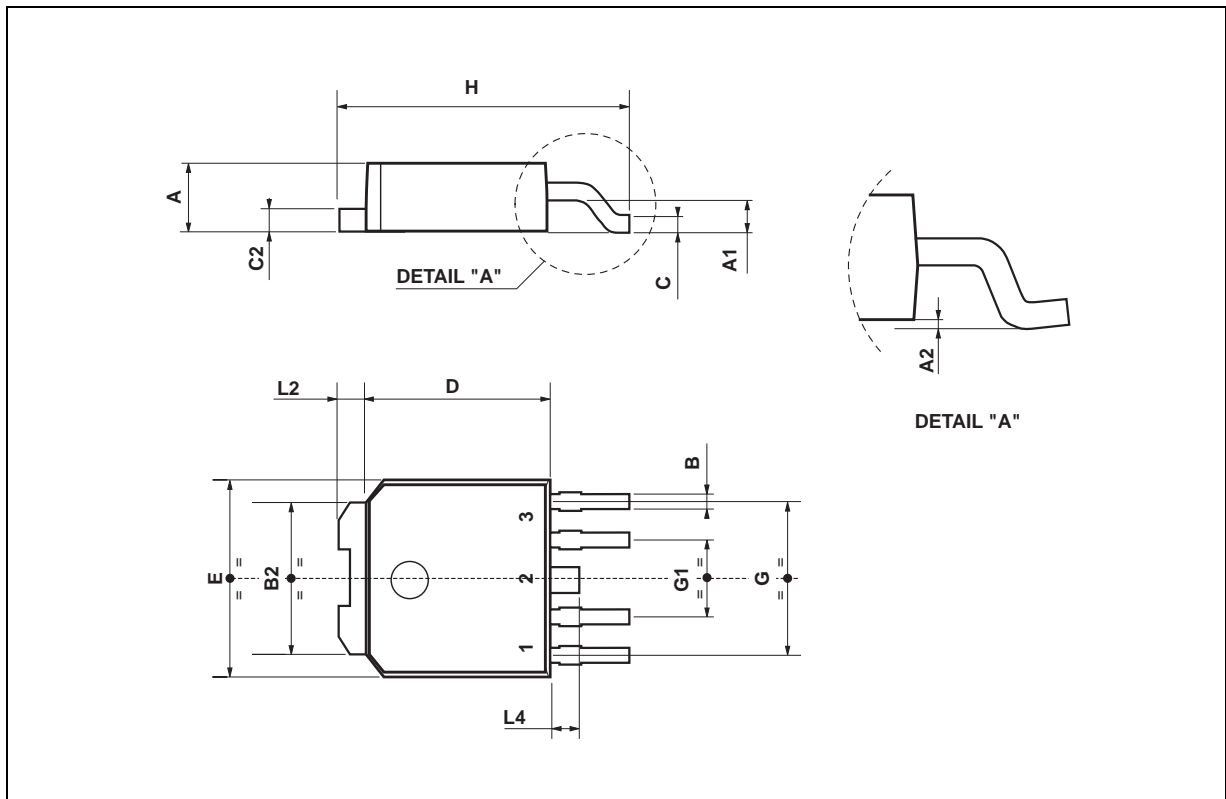
PowerSO-10 MECHANICAL DATA

DIM.	mm			inch		
	MIN.	TYP.	MAX.	MIN.	TYP.	MAX.
A	3.35		3.65	0.132		0.144
A1	0.00		0.10	0.000		0.004
B	0.40		0.60	0.016		0.024
c	0.35		0.55	0.013		0.022
D	9.40		9.60	0.370		0.378
D1	7.40		7.60	0.291		0.300
E	9.30		9.50	0.366		0.374
E1	7.20		7.40	0.283		0.291
E2	7.20		7.60	0.283		0.300
E3	6.10		6.35	0.240		0.250
E4	5.90		6.10	0.232		0.240
e		1.27			0.050	
F	1.25		1.35	0.049		0.053
H	13.80		14.40	0.543		0.567
h		0.50			0.002	
L	1.20		1.80	0.047		0.071
q		1.70			0.067	
α	0°		8°			



PPAK MECHANICAL DATA

DIM.	mm			inch		
	MIN.	TYP.	MAX.	MIN.	TYP.	MAX.
A	2.2		2.4	0.086		0.094
A1	0.9		1.1	0.035		0.043
A2	0.03		0.23	0.001		0.009
B		0.5			0.019	
B2	5.2		5.4	0.204		0.212
C	0.45		0.53	0.017		0.021
C2		0.5			0.019	
D	6		6.2	0.236		0.244
E	6.4		6.6	0.252		0.260
G		5.08			0.200	
G1		2.54			0.100	
H	9.35		10.1	0.368		0.397
L2		0.8			0.031	
L4	0.6		1	0.023		0.039



Information furnished is believed to be accurate and reliable. However, SGS-THOMSON Microelectronics assumes no responsibility for the consequences of use of such information nor for any infringement of patents or other rights of third parties which may result from its use. No license is granted by implication or otherwise under any patent or patent rights of SGS-THOMSON Microelectronics. Specifications mentioned in this publication are subject to change without notice. This publication supersedes and replaces all information previously supplied. SGS-THOMSON Microelectronics products are not authorized for use as critical components in life support devices or systems without express written approval of SGS-THOMSON Microelectronics.

© 1997 SGS-THOMSON Microelectronics - Printed in Italy - All Rights Reserved

SGS-THOMSON Microelectronics GROUP OF COMPANIES
Australia - Brazil - Canada - China - France - Germany - Hong Kong - Italy - Japan - Korea - Malaysia - Malta - Morocco - The Netherlands -
Singapore - Spain - Sweden - Switzerland - Taiwan - Thailand - United Kingdom - U.S.A