



# VN16B

## ISO HIGH SIDE SMART POWER SOLID STATE RELAY

### PRELIMINARY DATA

TYPE	V <sub>DSS</sub>	R <sub>DS(on)</sub>	I <sub>n</sub> (*)	V <sub>CC</sub>
VN16B	40 V	0.06 Ω	5.6 A	26 V

- MAXIMUM CONTINUOUS OUTPUT CURRENT (#): 20 A @ T<sub>c</sub>= 85°C
- 5V LOGIC LEVEL COMPATIBLE INPUT
- THERMAL SHUT-DOWN
- UNDER VOLTAGE PROTECTION
- OPEN DRAIN DIAGNOSTIC OUTPUT
- INDUCTIVE LOAD FAST DEMAGNETIZATION
- VERY LOW STAND-BY POWER DISSIPATION

### DESCRIPTION

The VN16B is a monolithic device made using SGS-THOMSON Vertical Intelligent Power Technology, intended for driving resistive or inductive loads with one side grounded.

Built-in thermal shut-down protects the chip from over temperature and short circuit.

The open drain diagnostic output indicates: open load in off state and in on state, output shorted to V<sub>CC</sub> and overtemperature. Fast demagnetization of inductive loads is achieved by negative (-18V) load voltage at turn-off.

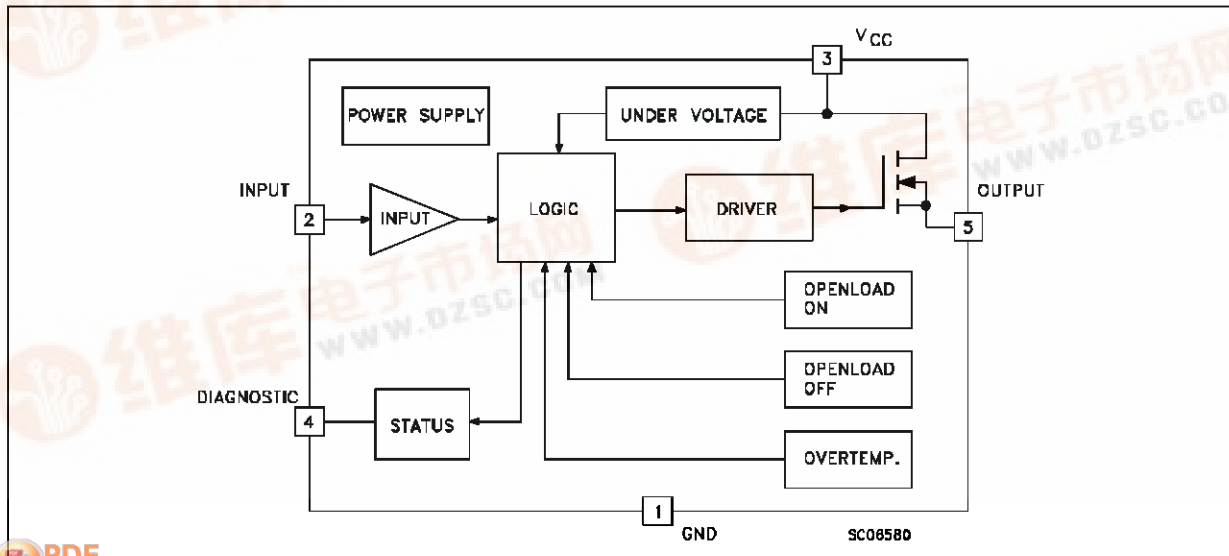
**PENTAWATT (vertical)**

**PENTAWATT (horizontal)**

**PENTAWATT (in-line)**

**ORDER CODES:**  
 PENTAWATT vertical VN16B  
 PENTAWATT horizontal VN16B (011Y)  
 PENTAWATT in-line VN16B (012Y)

### BLOCK DIAGRAM



In= Nominal current according to ISO definition for high side automotive switch (see note 1)  
 # The maximum continuous output current is the current at T<sub>c</sub> = 85 °C for a battery voltage of 13 V which does not activate self protection

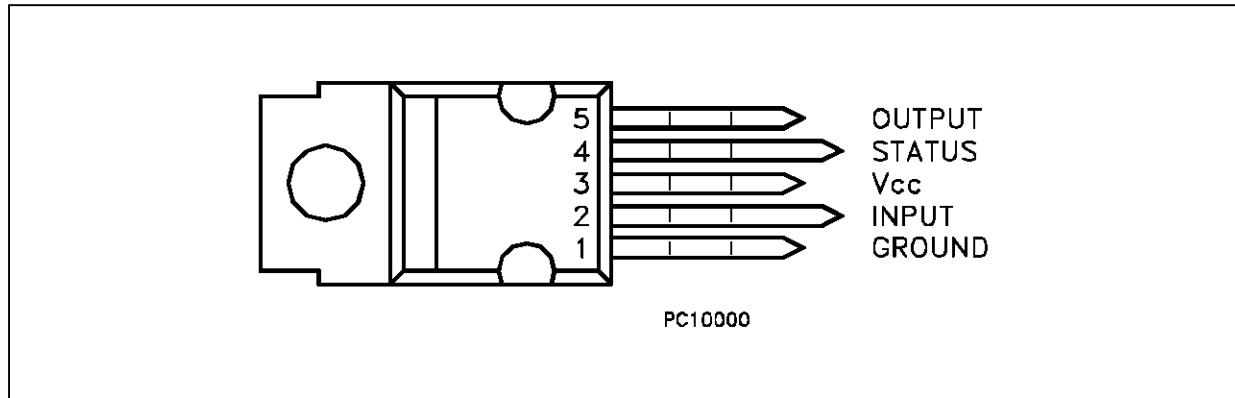


## VN16B

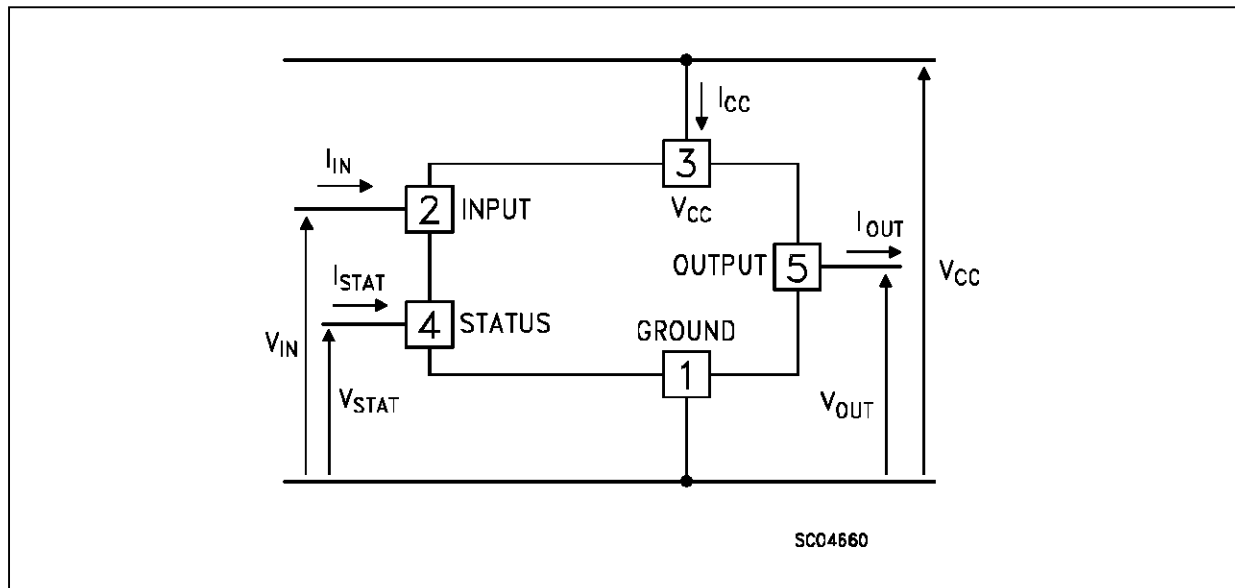
### ABSOLUTE MAXIMUM RATING

Symbol	Parameter	Value	Unit
$V_{(BR)DSS}$	Drain-Source Breakdown Voltage	40	V
$I_{OUT}$	Output Current (cont.) at $T_c = 85\text{ }^\circ\text{C}$	20	A
$I_{OUT(RMS)}$	RMS Output Current at $T_c = 85\text{ }^\circ\text{C}$	20	A
$I_R$	Reverse Output Current at $T_c = 85\text{ }^\circ\text{C}$ ( $f > 1\text{Hz}$ )	-20	A
$I_{IN}$	Input Current	$\pm 10$	mA
$-V_{CC}$	Reverse Supply Voltage	-4	V
$I_{STAT}$	Status Current	$\pm 10$	mA
$V_{ESD}$	Electrostatic Discharge (1.5 k $\Omega$ , 100 pF)	2000	V
$P_{tot}$	Power Dissipation at $T_c = 25\text{ }^\circ\text{C}$	82	W
$T_j$	Junction Operating Temperature	-40 to 150	$^\circ\text{C}$
$T_{stg}$	Storage Temperature	-55 to 150	$^\circ\text{C}$

### CONNECTION DIAGRAM



### CURRENT AND VOLTAGE CONVENTIONS



## THERMAL DATA

$R_{thj-case}$	Thermal Resistance Junction-case	Max	1.5	$^{\circ}C/W$
$R_{thj-amb}$	Thermal Resistance Junction-ambient	Max	60	$^{\circ}C/W$

ELECTRICAL CHARACTERISTICS ( $8 < V_{CC} < 16 V$ ;  $-40 \leq T_j \leq 125 ^{\circ}C$  unless otherwise specified)

## POWER

Symbol	Parameter	Test Conditions	Min.	Typ.	Max.	Unit
$V_{CC}$	Supply Voltage		6	13	26	V
$I_n$ (*)	Nominal Current	$T_c = 85 ^{\circ}C$ $V_{DS(on)} \leq 0.5 V_{CC} = 13 V$	5.6		8.8	A
$R_{on}$	On State Resistance	$I_{OUT} = I_n$ $V_{CC} = 13 V$ $T_j = 25 ^{\circ}C$	0.038		0.06	$\Omega$
$I_s$	Supply Current	Off State $V_{CC} = 13 V$ $T_j \geq 25 ^{\circ}C$		25	50	$\mu A$
$V_{DS(MAX)}$	Maximum Voltage Drop	$I_{OUT} = 20 A$ $V_{CC} = 13 V$ $T_c = 85 ^{\circ}C$	1		1.8	V
$R_i$	Output to GND Internal Impedance	$T_j = 25 ^{\circ}C$	5	10	20	K $\Omega$

## SWITCHING

Symbol	Parameter	Test Conditions	Min.	Typ.	Max.	Unit
$t_{d(on)}$ ( $\wedge$ )	Turn-on Delay Time Of Output Current	$R_{load} = 1.6 \Omega$	5	50	500	$\mu s$
$t_r$ ( $\wedge$ )	Rise Time Of Output Current	$R_{load} = 1.6 \Omega$	40	100	680	$\mu s$
$t_{d(off)}$ ( $\wedge$ )	Turn-off Delay Time Of Output Current	$R_{load} = 1.6 \Omega$	10	100	500	$\mu s$
$t_f$ ( $\wedge$ )	Fall Time Of Output Current	$R_{load} = 1.6 \Omega$	40	100	680	$\mu s$
$(di/dt)_{on}$	Turn-on Current Slope	$R_{load} = 1.6 \Omega$ $V_{CC} = 13 V$	0.008		0.1	A/ $\mu s$
$(di/dt)_{off}$	Turn-off Current Slope	$R_{load} = 1.6 \Omega$ $V_{CC} = 13 V$	0.008		0.1	A/ $\mu s$
$V_{demag}$	Inductive Load Clamp Voltage	$R_{load} = 1.6 \Omega$ $L = 1 mH$	-24	-18	-14	V

## LOGIC INPUT

Symbol	Parameter	Test Conditions	Min.	Typ.	Max.	Unit
$V_{IL}$	Input Low Level Voltage				1.5	V
$V_{IH}$	Input High Level Voltage		3.5		(•)	V
$V_{I(hyst.)}$	Input Hysteresis Voltage		0.2	1	1.5	V
$I_{IN}$	Input Current	$V_{IN} = 5 V$ $T_j = 25 ^{\circ}C$			100	$\mu A$
$V_{ICL}$	Input Clamp Voltage	$I_{IN} = 10 mA$ $I_{IN} = -10 mA$	5	6 -0.7	7	V V

# VN16B

## ELECTRICAL CHARACTERISTICS (continued) PROTECTION AND DIAGNOSTICS (continued)

Symbol	Parameter	Test Conditions	Min.	Typ.	Max.	Unit
$V_{STAT}$	Status Voltage Output Low	$I_{STAT} = 1.6 \text{ mA}$			0.4	V
$V_{USD}$	Under Voltage Shut Down		3.5	5	6	V
$V_{SCL}$	Status Clamp Voltage	$I_{STAT} = 10 \text{ mA}$ $I_{STAT} = -10 \text{ mA}$	5	6 -0.7	7	V V
$T_{TSD}$	Thermal Shut-down Temperature		140	160	180	°C
$T_{SD(hyst.)}$	Thermal Shut-down Hysteresis			15	50	°C
$T_R$	Reset Temperature		125			°C
$V_{OL}$	Open Voltage Level	Off-State (note 2)	2.5	3.8	5	V
$I_{OL}$	Open Load Current Level	On-State	0.15		0.85	A
$t_{povl}$	Status Delay	(note 3)		5	10	μs
$t_{pol}$	Status Delay	(note 3)	50	400	2500	μs

(\*)  $I_n$  = Nominal current according to ISO definition for high side automotive switch (see note 1)

(^) See Switching Time Waveforms

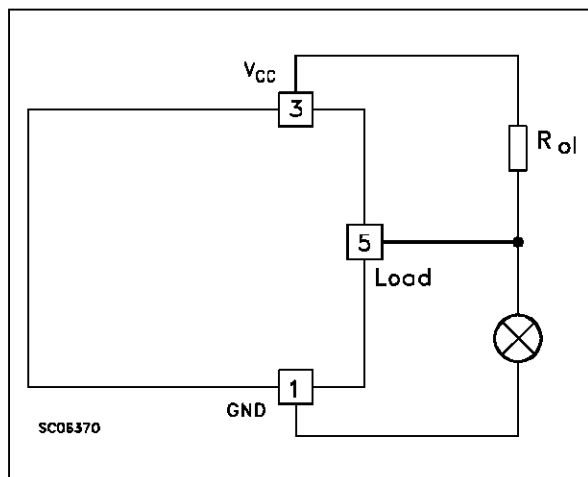
(•) The  $V_{IH}$  is internally clamped at 6V about. It is possible to connect this pin to an higher voltage via an external resistor calculated to not exceed 10 mA at the input pin.

note 1: The Nominal Current is the current at  $T_c = 85 \text{ °C}$  for battery voltage of 13V which produces a voltage drop of 0.5 V

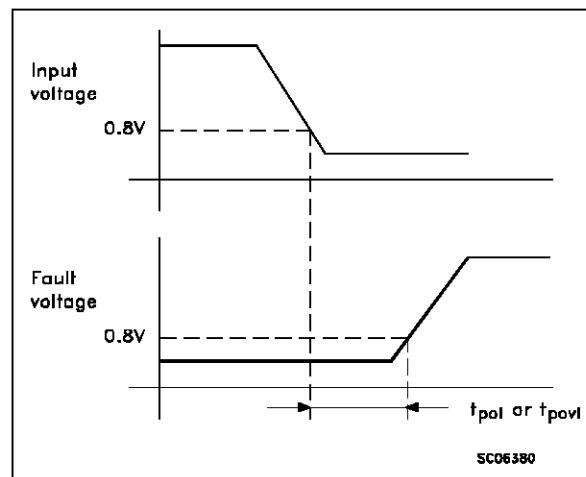
note 2:  $I_{OL(of)} = (V_{CC} - V_{OL})/R_{OL}$  (see figure)

note 3:  $t_{povl}$   $t_{pol}$ : ISO definition (see figure)

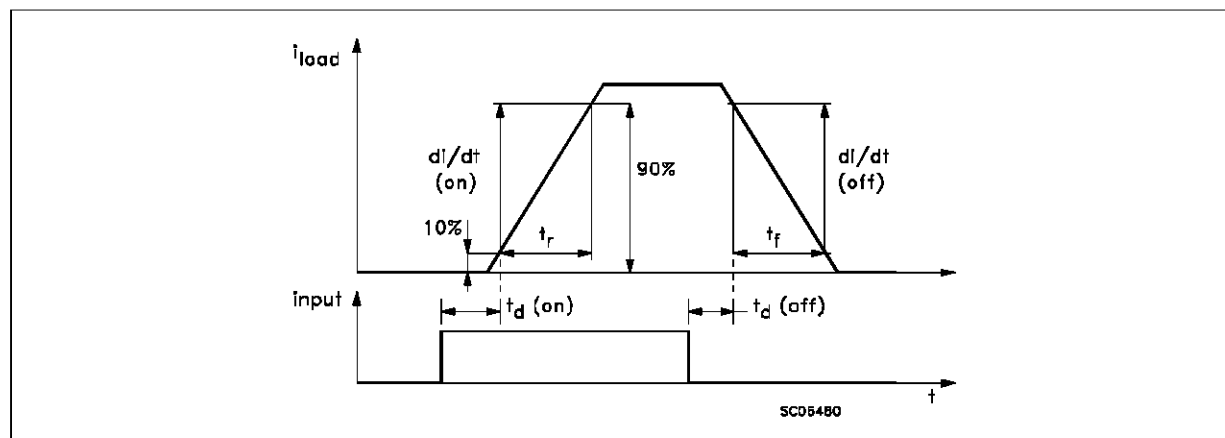
Note 2 Relevant Figure



Note 3 Relevant Figure



## Switching Time Waveforms

**FUNCTIONAL DESCRIPTION**

The device has a diagnostic output which indicates open load in on-state, open load in off-state, over temperature conditions and stuck-on to  $V_{CC}$ .

From the falling edge of the input signal, the status output, initially low to signal a fault condition (overtemperature or open load on-state), will go back to a high state with a different delay in case of overtemperature ( $t_{povl}$ ) and in case of open load ( $t_{pol}$ ) respectively. This feature allows to discriminate the nature of the detected fault. To protect the device against short circuit and over current condition, the thermal protection turns the integrated Power MOS off at a minimum junction temperature of 140 °C. When this temperature returns to 125 °C the switch is automatically turned on again. In short circuit the protection reacts with virtually no delay, the sensor being located inside the Power MOS area. An internal function of the devices ensures the fast demagnetization of inductive loads with a typical voltage ( $V_{demag}$ ) of -18V. This function allows to greatly reduce the power dissipation according to the formula:

$$P_{dem} = 0.5 \cdot L_{load} \cdot (I_{load})^2 \cdot [(V_{CC} + V_{demag}) / V_{demag}] \cdot f$$

where  $f$  = switching frequency and  
 $V_{demag}$  = demagnetization voltage.

The maximum inductance which causes the chip

temperature to reach the shut-down temperature in a specified thermal environment is a function of the load current for a fixed  $V_{CC}$ ,  $V_{demag}$  and  $f$  according to the above formula. In this device if the GND pin is disconnected, with  $V_{CC}$  not exceeding 16V, it will switch off.

**PROTECTING THE DEVICE AGAINST REVERSE BATTERY**

The simplest way to protect the device against a continuous reverse battery voltage (-26V) is to insert a Schottky diode between pin 1 (GND) and ground, as shown in the typical application circuit (fig.3).

The consequences of the voltage drop across this diode are as follows:

- If the input is pulled to power GND, a negative voltage of  $-V_f$  is seen by the device. ( $V_{il}$ ,  $V_{ih}$  thresholds and  $V_{stat}$  are increased by  $V_f$  with respect to power GND).
- The undervoltage shutdown level is increased by  $V_f$ .

If there is no need for the control unit to handle external analog signals referred to the power GND, the best approach is to connect the reference potential of the control unit to node [1] (see application circuit in fig. 3), which becomes the common signal GND for the whole control board avoiding shift of  $V_{ih}$ ,  $V_{il}$  and  $V_{stat}$ . This solution allows the use of a standard diode.

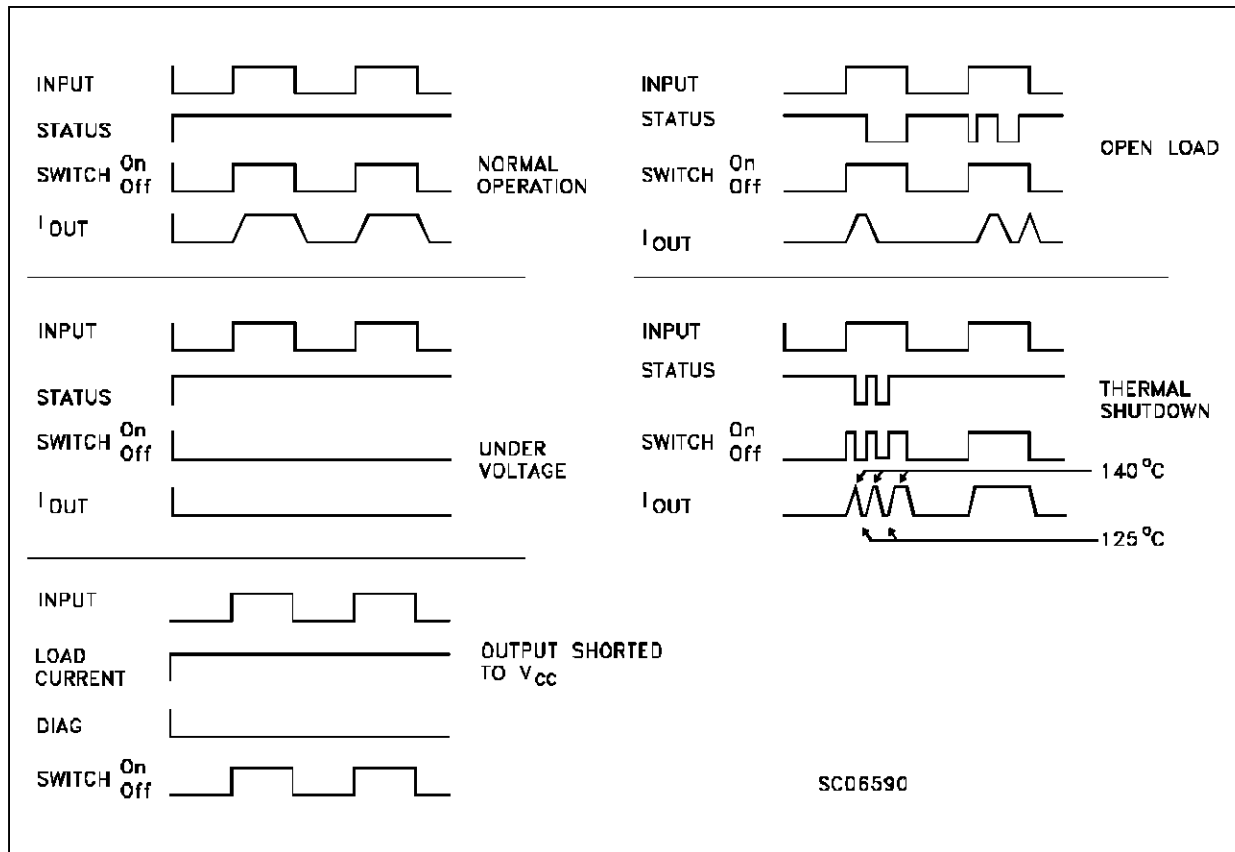
# VN16B

## TRUTH TABLE

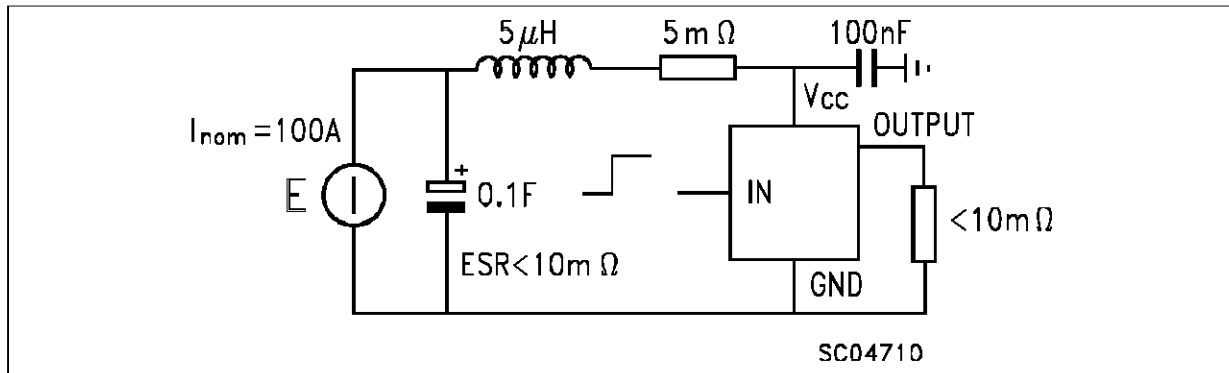
	INPUT	OUTPUT	DIAGNOSTIC
Normal Operation	L	L	H
	H	H	H
Over-temperature	X	L	L
Under-voltage	X	L	H
Short load to V <sub>CC</sub>	H	H	L
	L	H	L
Open Load	H	H	L
	L	L	L (#)

(#) With an additional external resistor

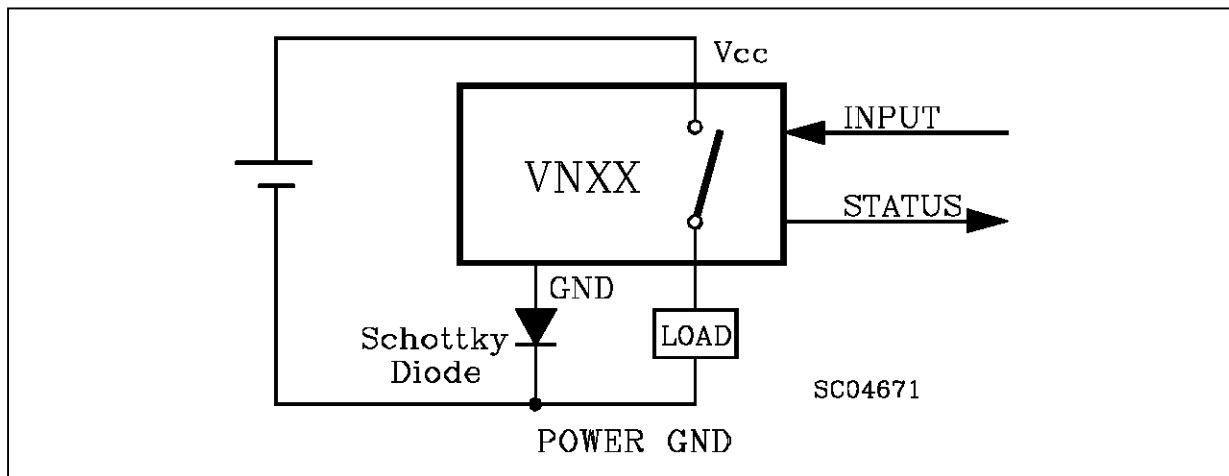
Figure 1: Waveforms



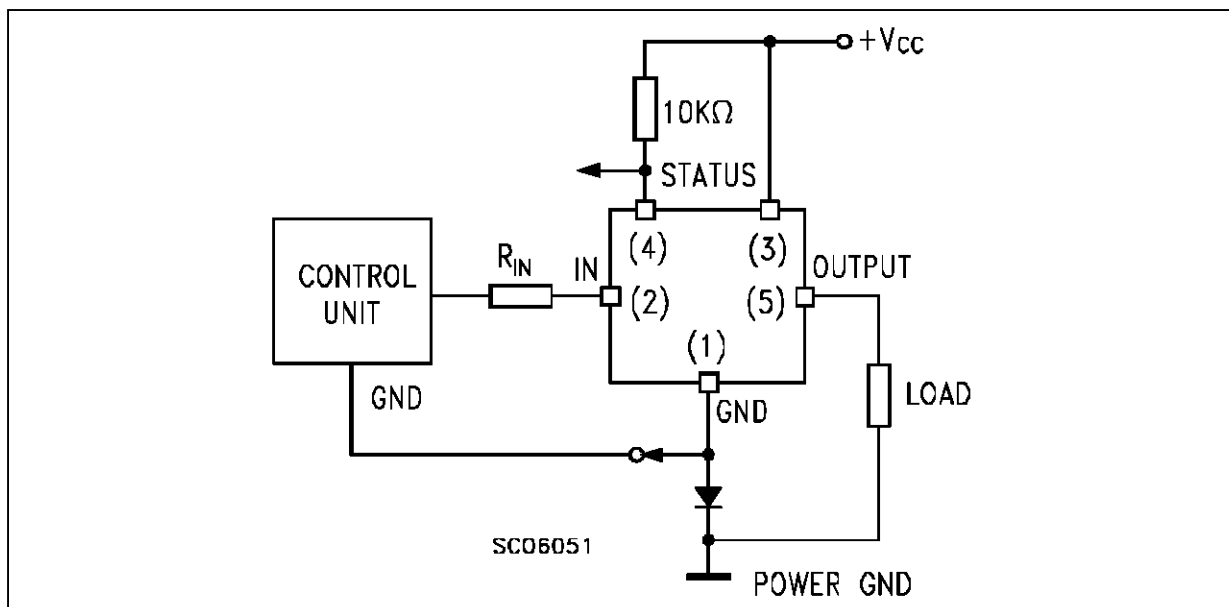
**Figure 2:** Over Current Test Circuit



**Figure 3:** Typical Application Circuit With A Schottky Diode For Reverse Supply Protection

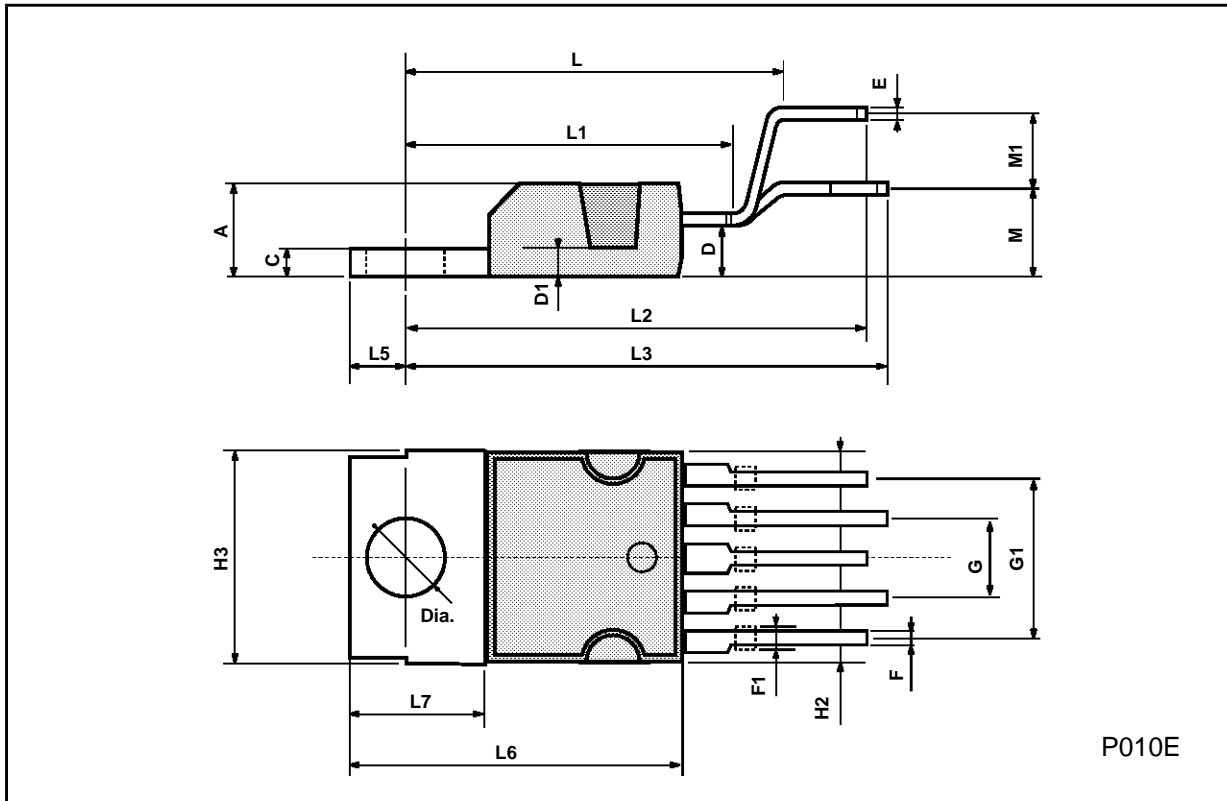


**Figure 4:** Typical Application Circuit With Separate Signal Ground



**Pentawatt (vertical) MECHANICAL DATA**

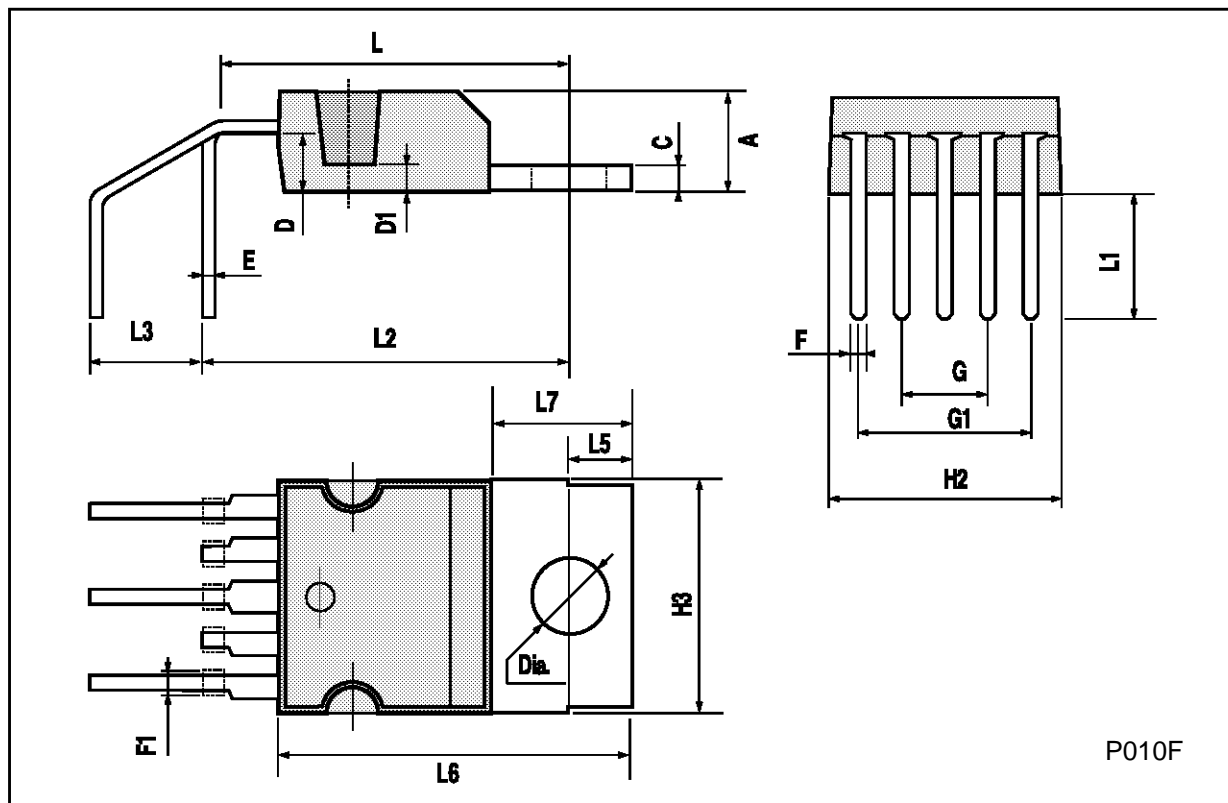
DIM.	mm			inch		
	MIN.	TYP.	MAX.	MIN.	TYP.	MAX.
A			4.8			0.189
C			1.37			0.054
D	2.4		2.8	0.094		0.110
D1	1.2		1.35	0.047		0.053
E	0.35		0.55	0.014		0.022
F	0.8		1.05	0.031		0.041
F1	1		1.4	0.039		0.055
G	3.2	3.4	3.6	0.126	0.134	0.142
G1	6.6	6.8	7	0.260	0.268	0.276
H2			10.4			0.409
H3	10.05		10.4	0.396		0.409
L		17.85			0.703	
L1		15.75			0.620	
L2		21.4			0.843	
L3		22.5			0.886	
L5	2.6		3	0.102		0.118
L6	15.1		15.8	0.594		0.622
L7	6		6.6	0.236		0.260
M		4.5			0.177	
M1		4			0.157	
Dia	3.65		3.85	0.144		0.152





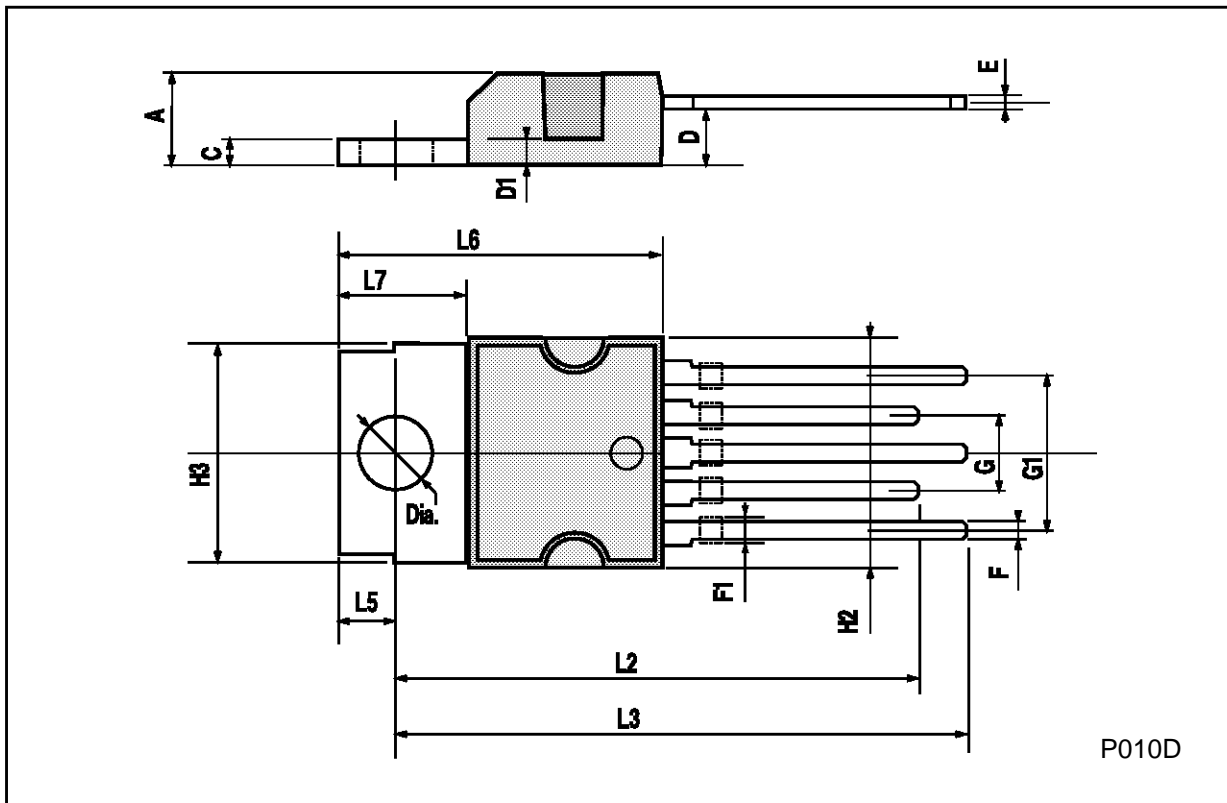
### Pentawatt (horizontal) MECHANICAL DATA

DIM.	mm			inch		
	MIN.	TYP.	MAX.	MIN.	TYP.	MAX.
A			4.8			0.189
C			1.37			0.054
D	2.4		2.8	0.094		0.110
D1	1.2		1.35	0.047		0.053
E	0.35		0.55	0.014		0.022
F	0.8		1.05	0.031		0.041
F1	1		1.4	0.039		0.055
G	3.2	3.4	3.6	0.126	0.134	0.142
G1	6.6	6.8	7	0.260	0.268	0.276
H2			10.4			0.409
H3	10.05		10.4	0.396		0.409
L	14.2		15	0.559		0.590
L1	5.7		6.2			0.244
L2	14.6		15.2			0.598
L3	3.5		4.1	0.137		0.161
L5	2.6		3	0.102		0.118
L6	15.1		15.8	0.594		0.622
L7	6		6.6	0.236		0.260
Dia	3.65		3.85	0.144		0.152



**Pentawatt (In- Line) MECHANICAL DATA**

DIM.	mm			inch		
	MIN.	TYP.	MAX.	MIN.	TYP.	MAX.
A			4.8			0.189
C			1.37			0.054
D	2.4		2.8	0.094		0.110
D1	1.2		1.35	0.047		0.053
E	0.35		0.55	0.014		0.022
F	0.8		1.05	0.031		0.041
F1	1		1.4	0.039		0.055
G	3.2	3.4	3.6	0.126	0.134	0.142
G1	6.6	6.8	7	0.260	0.268	0.276
H2			10.4			0.409
H3	10.05		10.4	0.396		0.409
L2	23.05	23.4	23.8	0.907	0.921	0.937
L3	25.3	25.65	26.1	0.996	1.010	1.028
L5	2.6		3	0.102		0.118
L6	15.1		15.8	0.594		0.622
L7	6		6.6	0.236		0.260
Dia	3.65		3.85	0.144		0.152



Information furnished is believed to be accurate and reliable. However, SGS-THOMSON Microelectronics assumes no responsibility for the consequences of use of such information nor for any infringement of patents or other rights of third parties which may result from its use. No license is granted by implication or otherwise under any patent or patent rights of SGS-THOMSON Microelectronics. Specifications mentioned in this publication are subject to change without notice. This publication supersedes and replaces all information previously supplied. SGS-THOMSON Microelectronics products are not authorized for use as critical components in life support devices or systems without express written approval of SGS-THOMSON Microelectronics.

© 1994 SGS-THOMSON Microelectronics - All Rights Reserved

SGS-THOMSON Microelectronics GROUP OF COMPANIES  
Australia - Brazil - France - Germany - Hong Kong - Italy - Japan - Korea - Malaysia - Malta - Morocco - The Netherlands -  
Singapore - Spain - Sweden - Switzerland - Taiwan - Thailand - United Kingdom - U.S.A