



# VP216

## Dual 90MHz 6-Bit Analog to Digital Converter with VCO

### Preliminary Information

DS4070 - 1.6 May 1996

The VP216 is a dual 90MHz 6-bit Analog to Digital Converter designed for use in consumer satellite receivers and decoders, video systems, multimedia and communications applications.

Operating from a single +5V supply, the VP216 includes an on-chip high bandwidth ADC driver amplifier, a 6-bit ADC, VCO or Ext. clock interface. The VP216 also has the necessary bias voltages for the reference resistor chain in the 'flash' architecture of the ADC.

#### FEATURES

- 90MHz Conversion Rate
- VCO or Ext. Clock Interface
- High Bandwidth ADC Driver Amplifier
- Internal ADC Reference
- TTL Data Outputs
- Single 5 Volt Supply
- Dual ADC System for good channel matching

#### APPLICATIONS

- Satellite Decoders
- Multimedia
- Communications

#### ORDERING INFORMATION

VP216A CG HP1S (Commercial - 44 pin PLCC)

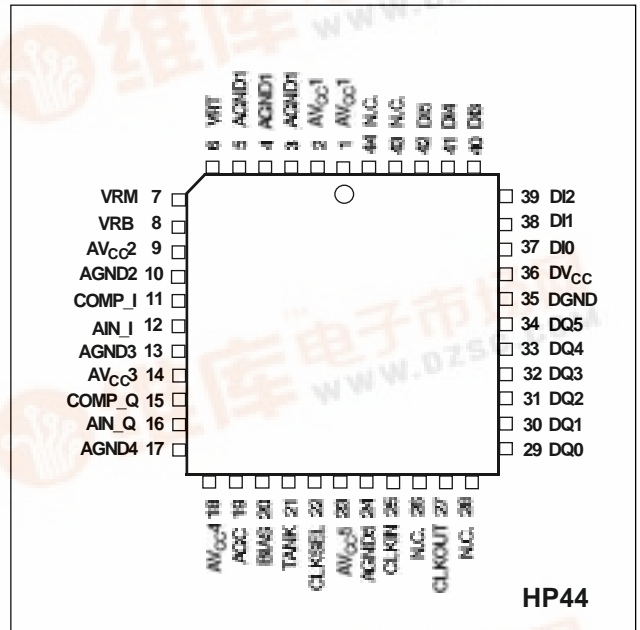


Fig.1 Pin connections - top view

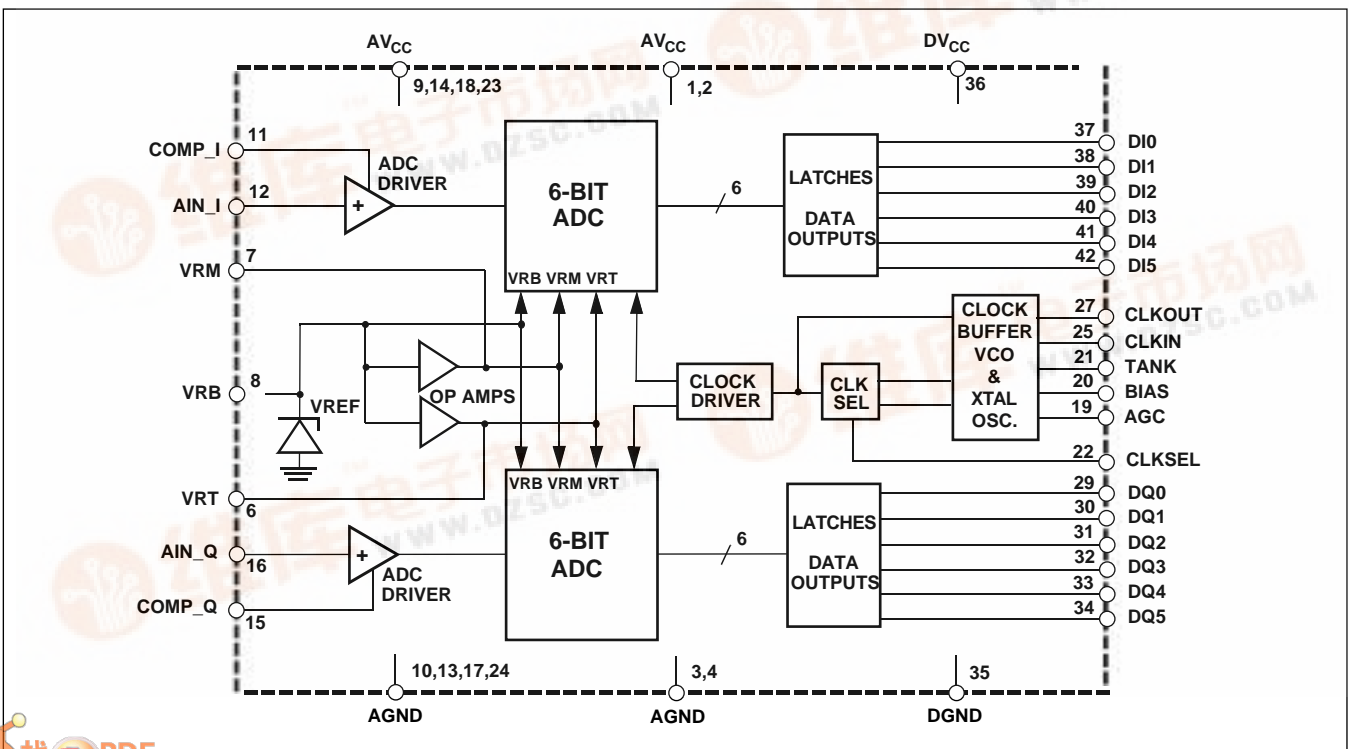


Fig.2 System block diagram



## VP216

### ABSOLUTE MAXIMUM RATINGS

DC supply voltage ( $V_{CC}$ )	-0.3 to +7V
Analog input voltage (AIN)	-0.3 to $V_{CC}+0.3V$
Digital inputs (CLKSEL, MSBSEL)	$V_{CC}$
Digital output current ( $I_{oh}$ , $I_{ol}$ , $I_{sc}$ )	-20 to +20mA
Ambient operating temperature ( $T_{amb}$ )	0°C to +70°C
Storage temperature ( $T_{storage}$ )	-55°C to +125°C

### THERMAL CHARACTERISTICS

#### THERMAL RESISTANCES

Junction to case( $\theta_{jc}$ )	19°C/W
Junction to ambient( $\theta_{ja}$ )	55°C/W

### ELECTRICAL CHARACTERISTICS

Test conditions (unless otherwise stated)  $T_{amb} = 25^\circ\text{C}$ ,  $AV_{CC} = DV_{CC} = +5V$ , full temperature range = 0°C to +70°C

DC CHARACTERISTICS All specifications apply to either of the two ADCs

Characteristic	Symbol	Temp.	Test Level	Value			Units	Conditions
				Min.	Typ.	Max.		
<b>Resolution</b>	-	-	-	6	-	-	Bits	
<b>Static performance</b>								
Differential non-linearity	DNL	+25°C	4	-	-	±0.5	LSB	
		Full	4	-	-	±0.5	LSB	
Integral non-linearity	INL	+25°C	4	-	-	±0.5	LSB	
		Full	4	-	-	±0.5	LSB	
Missing codes		Full	4	Guaranteed				
<b>Power supply</b>								
Analog supply voltage	$AV_{CC}$	Full	4	4.75	5.0	5.25	V	
Digital supply voltage	$DV_{CC}$	Full	4	4.75	5.0	5.25	V	
Analog supply current	$AI_{CC}$	+25°C	1	60	72	85	mA	
		Full	4	-	-	-	mA	
Digital supply current	$DI_{CC}$	+25°C	1	15	23	30	mA	
		Full	4	-	-	-	mA	
Power dissipation	P	+25°C	1	375	475	575	mW	
		Full	4	-	-	-	mW	
<b>Analog input</b>								
Input range	$V_{in}$	Full	5	-	1.0	-	V	Pk to Pk
Input resistance	$R_{in}$	+25°C	1	4.5k	5.75k	7.5k		
Input capacitance	$C_{in}$	+25°C	5	-	3.0	-	pF	
Gain matching	$A_{VH}$	+25°C	1	-	-	0.25	dB	
Input -3dB bandwidth	F3dB	+25°C	4	-	200	-	MHz	
Ain input voltage	$A_{indc}$	+25°C	1	3.6	3.85	4.1	V	
Comp output	$V_{comp}$	+25°C	1	1.6	1.8	2.0	V	
<b>CLKIN</b>								
Input voltage high	$V_{ih}$	+25°C	1	2.0	-	-	V	
		Full	4	-	-	-	V	
Input voltage low	$V_{il}$	+25°C	1	-	-	0.8	V	
		Full	4	-	-	-	V	
Input current high	$I_{ih}$	+25°C	1	-	-	1	µA	$DV_{CC} = 5.25V$
		Full	4	-	-	-		$V_{in} = 2.7V$
Input current low	$I_{il}$	+25°C	1	-0.2	-	-0.5	mA	$DV_{CC} = 5.25V$
		Full	4	-	-	-		$V_{in} = 0.4V$
<b>TTL digital outputs</b>								
Output voltage high	$V_{oh}$	+25°C	1	2.4	-	3.0	V	$DV_{CC} = 4.75V$
		Full	4	-	-	-	V	$I_{oh} = -400\mu A$
Output voltage low	$V_{ol}$	+25°C	1	-	-	0.4	V	$DV_{CC} = 4.75V$
		Full	4	-	-	-	V	$I_{ol} = 1mA$
Output current high	$I_{oh}$	+25°C	1	-	-	-400	µA	$DV_{CC} = 4.75V$
		Full	4	-	-	-	-	
Output current low	$I_{ol}$	+25°C	1	-	-	1	mA	$DV_{CC} = 4.75V$
		Full	4	-	-	-	-	

## DC CHARACTERISTICS (cont.)

Characteristic	Symbol	Temp.	Test Level	Value			Units	Conditions
				Min.	Typ.	Max.		
<b>CLKSEL</b>								
Input voltage high	$V_{ih}$	+25°C	1	2.0	-	-	V	$DV_{CC} = 5.25V$ $V_{ih} = 2.7V$ $DV_{CC} = 5.25V$ $V_{il} = 0.4V$
		Full	4	-	-	-	V	
Input voltage low	$V_{il}$	+25°C	1	-	-	0.8	V	
		Full	4	-	-	-	V	
Input current high	$I_{ih}$	+25°C	1	-	-	1.0	$\mu A$	
		Full	4	-	-	-		
Input current low	$I_{il}$	+25°C	1	-50	-100	-150	$\mu A$	
		Full	4	-	-	-		
<b>VCO</b>								
Input capacitance	$C_{tank}$	+25°C	5	-	2.0	-	pF	
Bias voltage	$V_{bias}$	+25°C	1	1.4	1.6	1.8	V	
AGC voltage	$V_{agc}$	+25°C	1	1.3	1.65	1.7	V	
<b>Reference voltage</b>								
REF 2.5	VRB	+25°C	1	2.374	2.525	2.677	V	} no load
REF 3.0	VRM	+25°C	1	2.848	3.03	3.212	V	
REF 3.5	VRT	+25°C	1	3.323	3.55	3.747	V	

## AC CHARACTERISTICS

Characteristic	Symbol	Temp.	Test Level	Value			Units	Conditions
				Min.	Typ.	Max.		
<b>Switching performance</b>								
Clock high pulse width	$T_{pw1}$	+25°C	4	30	50	70	%	$Load=10pF$ $Load=10pF$
Clock low pulse width	$T_{pw0}$	+25°C	4	30	50	70	%	
Max. conversion rate	$F_{max}$	+25°C	1	90	-	-	MHz	
Data setup time	$T_{su}$	Full	4	8	10	-	ns	
Data hold time	$T_h$	Full	4	2	4	-	ns	
Aperture delay	$T_{ad}$	+25°C	4	2	3	4	ns	
Aperture delay matching	$T_{ad}$	+25°C	4	-	0.2	0.5	ns	
Aperture jitter	$T_{aj}$	+25°C	4	10	25	50	ps rms	
<b>Dynamic performance</b>								
Differential non-linearity	DNL	+25°C	1	-0.95	-	+1.2	LSB	$A_{IN}=15MHz$
Integral non-linearity	INL	+25°C	1	-	-	$\pm 1$	LSB	
Signal to noise ratio	SNR	+25°C	1	31.8	-	-	dB	$A_{IN}=15MHz$
Total harmonic distortion	THD	+25°C	4	40	-	-	dBc	
Effective No. of bits	ENOB	+25°C	1	5.0	5.5	-	bits	
Crosstalk rejection	CTR	+25°C	5	-	50	-	dBc	
Input offset	$V_{os}$	+25°C	1	-	$\pm 0.5$	$\pm 1$	LSB	
Error rate	BER	+25°C	5	-	$10e^{-8}$	-		

## NOTES

1. An input voltage of 0.0 volts  $\pm 0.5$  LSB should nominally correspond to the '011111' to '100000'B transition edge.

## TEST LEVELS

**Level 1** - 100% production tested.

**Level 2** - 100% production tested at 25°C and sample tested at specified temperatures.

**Level 3** - Sample tested only.

**Level 4** - Parameter is guaranteed by design and characterisation testing.

**Level 5** - Parameter is typical value only.

## VP216

### PIN DESCRIPTIONS - 44 Pin J-lead PLCC package

Pin	Name	Description
1	AV <sub>CC</sub> 1	Analog voltage supply for the 6-bit ADCs
2	AV <sub>CC</sub> 1	Analog voltage supply for the 6-bit ADCs
3	AGND1	Analog ground
4	AGND1	Analog ground
5	AGND1	Analog ground
6	VRT	3.5V reference voltage - ladder top
7	VRM	Reference voltage - ladder middle
8	VRB	2.5V reference voltage - ladder bottom
9	AV <sub>CC</sub> 2	Analog voltage supply for the reference bias circuits
10	AGND2	Analog ground
11	COMP-I	Capacitor compensation - I channel
12	AIN-I	Analog signal input - I channel
13	AGND3	Analog ground for the I channel buffer amplifier
14	AV <sub>CC</sub> 3	Analog voltage supply for the I channel buffer amplifier
15	COMP-Q	Capacitor compensation - Q channel
16	AIN-Q	Analog signal input - Q channel
17	AGND4	Analog ground
18	AV <sub>CC</sub> 4	Analog voltage supply for the Q channel buffer amplifier
19	AGC	AGC control voltage
20	BIAS	Input bias voltage
21	TANK	Tank circuit connection
22	CLKSEL	Clock select - VCO or external clock
23	AV <sub>CC</sub> 5	Analog voltage supply for the VCO
24	AGND5	Analog ground
25	CLKIN	Clock input positive
26	N.C.	Not connected
27	CLKOUT	Clock output positive
28	N.C.	Not connected
29	DQ0	Digital TTL output - LSB -Q channel
30	DQ1	
31	DQ2	
32	DQ3	
33	DQ4	
34	DQ5	Digital TTL output - MSB - Q channel
35	DGND	Digital ground
36	DV <sub>CC</sub>	Digital voltage supply
37	DI0	Digital TTL output - LSB - I channel
38	DI1	
39	DI2	
40	DI3	
41	DI4	
42	DI5	Digital TTL output - MSB - I channel
43	N.C.	Not connected
44	N.C.	Not connected

Table 1: Pin descriptions

**Device Description**

The VP216 is a dual 90MHz 6-bit ADC system, (see Fig.2). Included on chip is a high bandwidth ADC driver amplifier, a 6-bit analog to digital converter, latches and TTL data outputs. The VP216 also has the necessary bias voltages for the reference resistor chain in the ‘flash’ architecture of the ADC and has an optional VCO or external oscillator interface.

**Analog Input**

The analog inputs, (AIN\_I,Q) are A.C. coupled into the non-inverting ADC driver amplifiers, which provide the necessary bandwidth, gain, offset and low impedance required to drive the ADC. The amplifier has been designed so that an input of 0 volts will produce an output level equal to the voltage present at the middle of the ADC resistor chain, (VRM = 3V typ.). This is achieved by an internal feedback loop within each amplifier which compares the amplifier output with VRM, (see Fig.3). This voltage will produce a transition binary code of 011111 to 100000 at the output of the ADC.

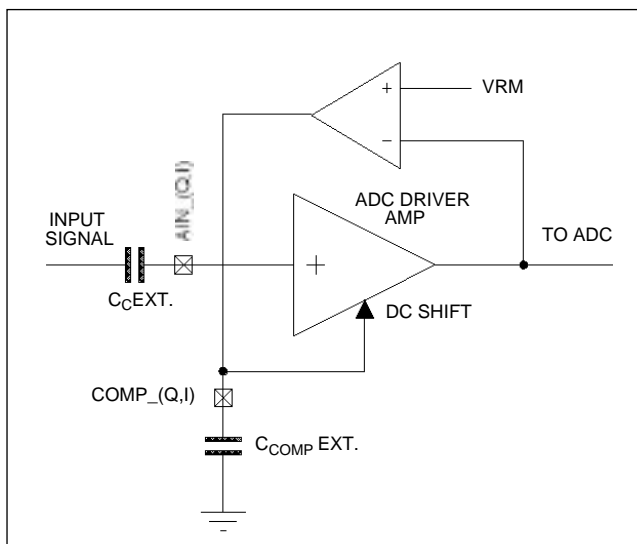


Fig.3 DC offset internal feedback loop.

**Reference Voltage**

An on chip band gap voltage reference circuit combined with two op-amps provides all the necessary bias voltages for the ADC reference resistor chain, (VRB), (VRM) and (VRT). VRB, VRM and VRT have been brought out to pins 8, 7 and 6 respectively and should be decoupled with 100nF capacitors close to the package pins.

**Digital Interface**

The TTL data output pins, (DI0-DI5) and (DQ0-DQ5) have been optimized to interface with devices in close proximity to the VP216 and are designed to provide satisfactory logic levels at speeds up to 90MHz into a fanout of one and a total load capacitance of 10pF. All data outputs should have approximately equivalent loading to ensure proper setup and hold timing. For capacitive loads in excess of 10pF, output buffers are recommended.

**Clock Interface**

The VP216 clock interface allows the ADC to be clocked in a number of ways. With the CLKSEL pin tied low the on chip VCO is selected. With the CLKSEL pin tied high the external TTL clock input is selected.

CLKSEL	Clock Source
1	External Clock
0	VCO

Table 2

The clock signal to the ADC synchronizes the sampling, conversion and output stages of the device as shown in the timing diagram (see Fig.4). The output of the ADC driver amp is sampled when the comparator array is latched after a rising edge of the input clock. Latched data is then presented to the TTL data outputs and latched on the falling edge of the input clock. The clock interface also provides a TTL clock output on pin 27. This output is limited to driving capacitive loads of 10pF. Output buffers are recommended for loads in excess of 10pF.

Code	Input Voltage	Binary
	1 Volt Full Scale 16mV = 1LSB	
00	Least +Ve Valid Input	000000
01	●	000001
●	●	●
31	●	011111
32	●	100000
33	●	100001
●	●	●
62	●	111110
63	Most +Ve Valid Input	111111

Table 3: Output coding

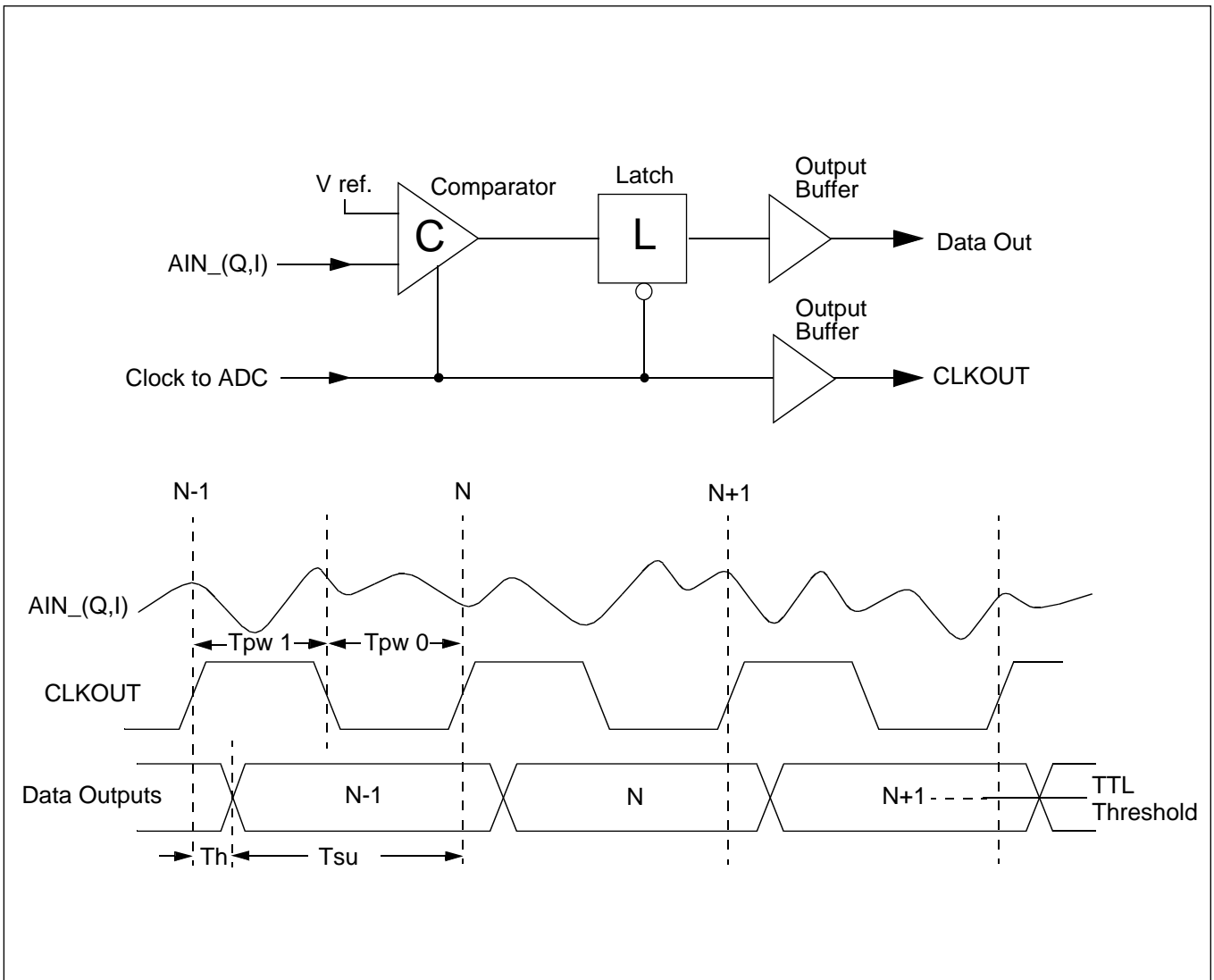


Fig.4 System timing diagram

**ELECTRICAL CHARACTERISTICS DEFINITIONS**

**Analog Bandwidth**

The analog input frequency at which the spectral power of the fundamental frequency, as determined by FFT analysis is reduced by 3dB.

**Aperture Delay**

The delay between the rising edge of the 90MHz clock signal and the instant the analog input signal is sampled.

**Aperture Jitter**

The sample to sample variation in aperture delay.

**Bit Error Rate (BER)**

The number of spurious code errors produced for any given input sine wave frequency at a given clock frequency. In this case it is the number of codes occurring outside the histogram cusp for a 1/2 FS sine wave.

**Data Outputs, Set-up and Hold Time**

Data output timings are measured from 2.4V and 0.4V to the 1.4V threshold on the rising edge of the output clock.

**Differential Non-linearity**

The deviation in any code width from an ideal 1 LSB step.

**Effective Number of Bits (ENOB)**

This is a measure of a device's dynamic performance and may be obtained from the SNR or from a sine wave curve test fit according to the following expressions:

$$ENOB = \frac{SNR - 1.76}{6.02} \quad \text{or}$$

$$ENOB = N - \log_2[\frac{\text{rms error (actual)}}{\text{rms error (ideal)}}]$$

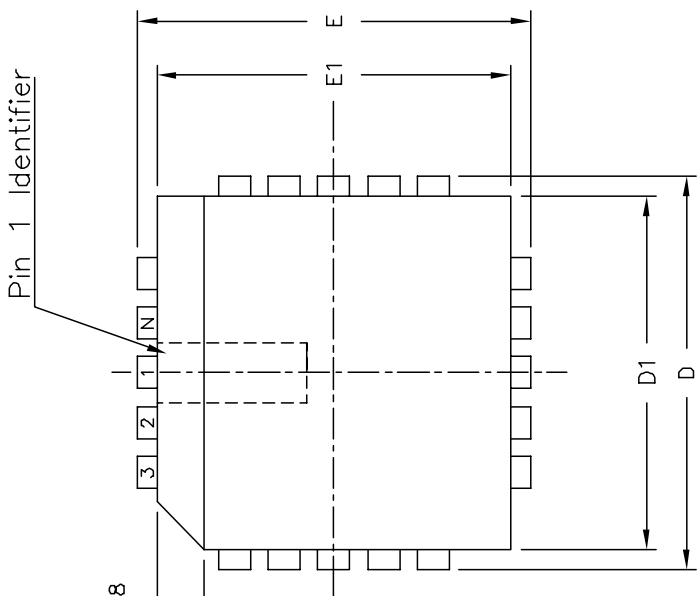
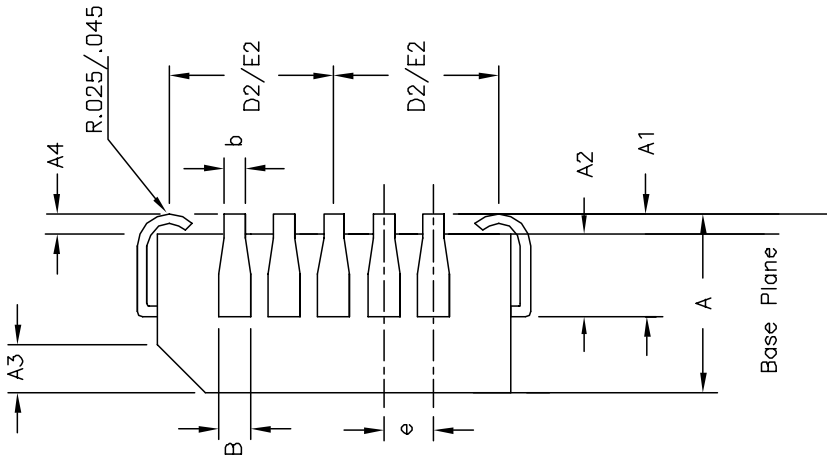
where N is the conversion resolution and the actual rms error is the deviation from an ideal sine wave, calculated from the converter outputs with a sine wave input.

**Integral Non-linearity (INL)**

The deviation of the centre of each code from a reference line which has been determined by a least squares curve fit.

**Signal-to-Noise Ratio (SNR)**

The ratio of the rms signal amplitude to the rms value of 'noise' which is defined as the sum of all other spectral components, including the harmonics, but excluding D.C. with a full-scale analog input signal.



Symbol	Control Dimensions in inches		Altern. Dimensions in millimetres	
	MIN	MAX	MIN	MAX
A	0.165	0.180	4.19	4.57
A1	0.090	0.120	2.29	3.05
A2	0.062	0.083	1.57	2.11
A3	0.042	0.056	1.07	1.42
A4	0.020	—	0.51	—
D	0.685	0.695	17.40	17.65
D1	0.650	0.656	16.51	16.66
D2	0.291	0.319	7.39	8.10
E	0.685	0.695	17.40	17.65
E1	0.650	0.656	16.51	16.66
E2	0.291	0.319	7.39	8.10
B	0.026	0.032	0.66	0.81
b	0.013	0.021	0.33	0.53
e	0.050	BSC	1.27	BSC
Pin features				
ND	11			
NE	11			
N	44			
Note	Square			
Conforms to JEDEC MS-018AC Iss. A				

Notes:

- All dimensions and tolerances conform to ANSI Y14.5M-1982
- Dimensions D1 and E1 do not include mould protrusions.
- Allowable mould protrusion is 0.010" per side. Dimensions D1 and E1 include mould protrusion mismatch and are determined at the parting line, that is D1 and E1 are measured at the extreme material condition at the upper or lower parting line.
- Controlling dimensions in inches.
- "N" is the number of terminals.
- Not To Scale
- Dimension R required for 120° minimum bend.

Title: Package Outline for 44 Lead PLCC		MITEL SEMICONDUCTOR	
Drawing Number GPD00003			
1	2	MITEL SEMICONDUCTOR	
5958	207470		
15AUG9410SEP99			
is an unpublished work the copyright in which vests in Mitel Semiconductor Limited. All rights reserved.			
ORIGINATING SITE: Swindon			



<http://www.mitelsemi.com>

**World Headquarters - Canada**

Tel: +1 (613) 592 2122

Fax: +1 (613) 592 6909

**North America**

Tel: +1 (770) 486 0194

Fax: +1 (770) 631 8213

**Asia/Pacific**

Tel: +65 333 6193

Fax: +65 333 6192

**Europe, Middle East,  
and Africa (EMEA)**

Tel: +44 (0) 1793 518528

Fax: +44 (0) 1793 518581

Information relating to products and services furnished herein by Mitel Corporation or its subsidiaries (collectively "Mitel") is believed to be reliable. However, Mitel assumes no liability for errors that may appear in this publication, or for liability otherwise arising from the application or use of any such information, product or service or for any infringement of patents or other intellectual property rights owned by third parties which may result from such application or use. Neither the supply of such information or purchase of product or service conveys any license, either express or implied, under patents or other intellectual property rights owned by Mitel or licensed from third parties by Mitel, whatsoever. Purchasers of products are also hereby notified that the use of product in certain ways or in combination with Mitel, or non-Mitel furnished goods or services may infringe patents or other intellectual property rights owned by Mitel.

This publication is issued to provide information only and (unless agreed by Mitel in writing) may not be used, applied or reproduced for any purpose nor form part of any order or contract nor to be regarded as a representation relating to the products or services concerned. The products, their specifications, services and other information appearing in this publication are subject to change by Mitel without notice. No warranty or guarantee express or implied is made regarding the capability, performance or suitability of any product or service. Information concerning possible methods of use is provided as a guide only and does not constitute any guarantee that such methods of use will be satisfactory in a specific piece of equipment. It is the user's responsibility to fully determine the performance and suitability of any equipment using such information and to ensure that any publication or data used is up to date and has not been superseded. Manufacturing does not necessarily include testing of all functions or parameters. These products are not suitable for use in any medical products whose failure to perform may result in significant injury or death to the user. All products and materials are sold and services provided subject to Mitel's conditions of sale which are available on request.

M Mitel (design) and ST-BUS are registered trademarks of MITEL Corporation

Mitel Semiconductor is an ISO 9001 Registered Company

Copyright 1999 MITEL Corporation

All Rights Reserved

Printed in CANADA

TECHNICAL DOCUMENTATION - NOT FOR RESALE