

SHINDENGEN

Varistor

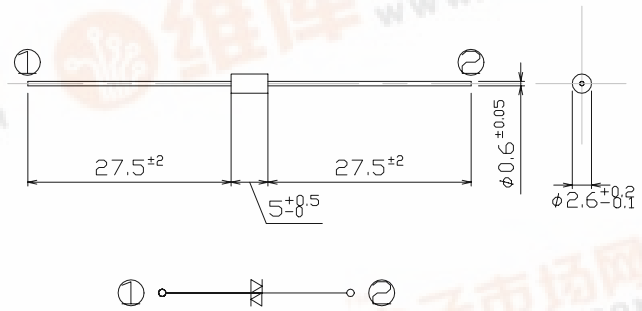
Axial Package

VR61B(A)

OUTLINE DIMENSIONS

Case : AX06

(Unit : mm)



RATINGS

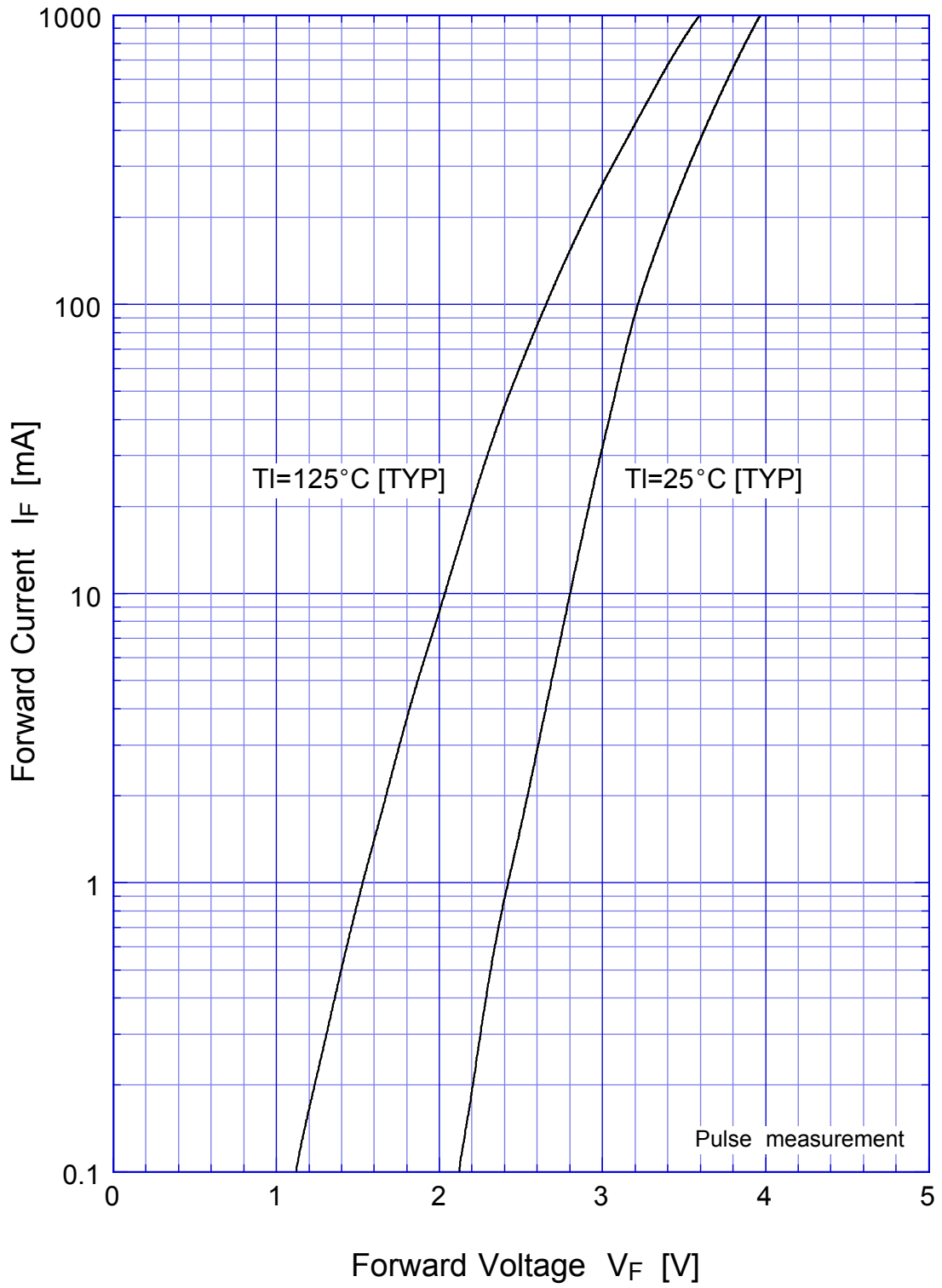
●Absolute Maximum Ratings

Item	Symbol	Conditions	Ratings	Unit
Storage Temperature	T _{stg}		-30~125	°C
Junction Temperature	T _j		125	°C
Average Rectified Forward Current	I _O	T _a = 40°C, Sine wave, R-load Commercial frequency, On glass-epoxy substrate	0.15	Arms
Peak Surge Forward Current	I _{FSM}	50Hz, Sine wave, 1 cycle, Non-repetitive, T _I = 25°C	7.5	Arms

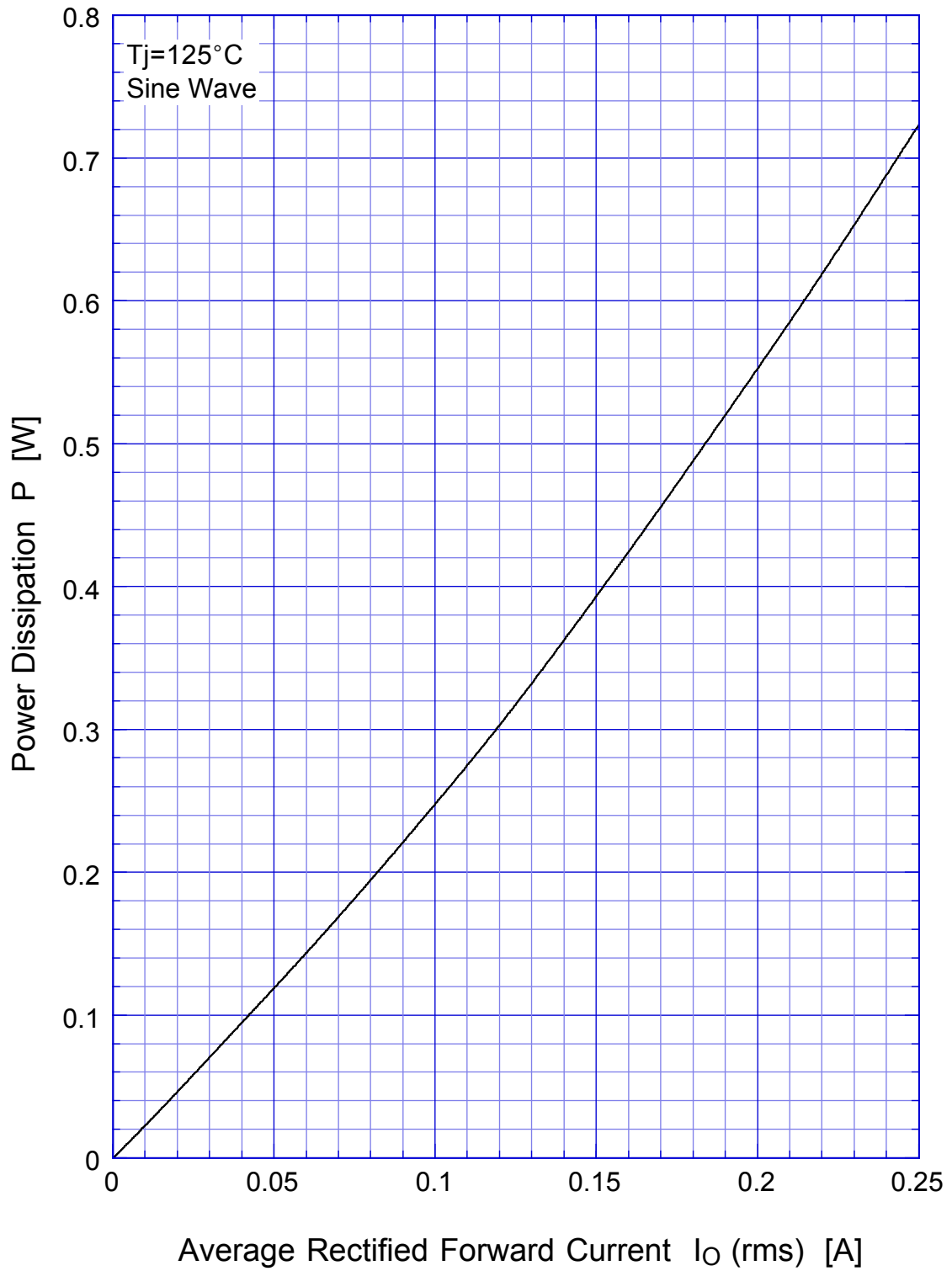
●Electrical Characteristics (T_I=25°C)

Item	Symbol	Conditions	Ratings	Unit
Forward Voltage	V _F	I _F = 1mA	2.05~2.55	V
		I _F = 10mA	2.50~3.00	
		I _F = 70mA	2.85~3.35	
Thermal Resistance	θ _{ja}	Junction to ambient	MAX 215	°C/W

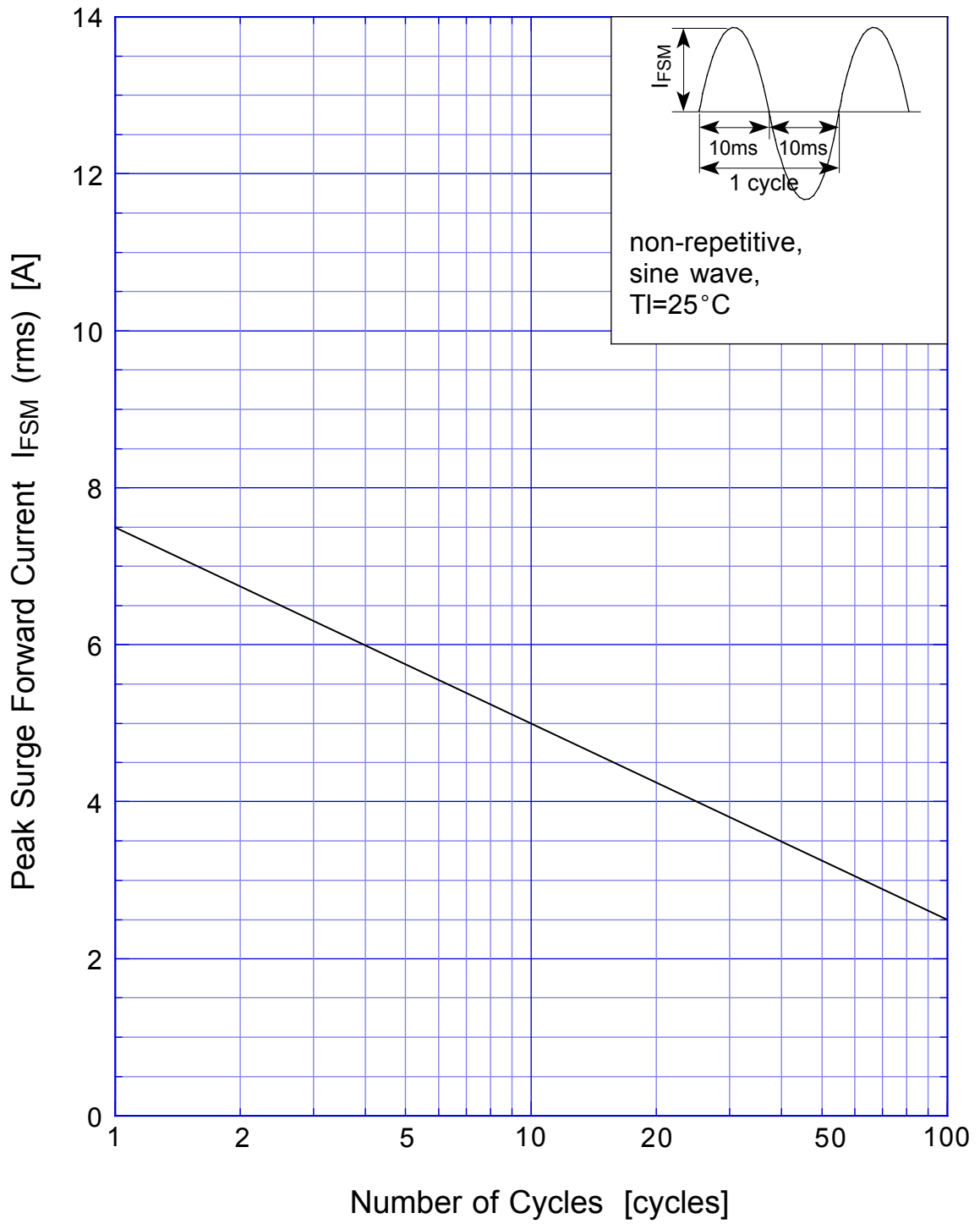
VR-61B(A) Forward Voltage



VR-61B(A) Forward Power Dissipation



VR-61B(A) Peak Surge Forward Capability



VR-61B(A)

Derating Curve

