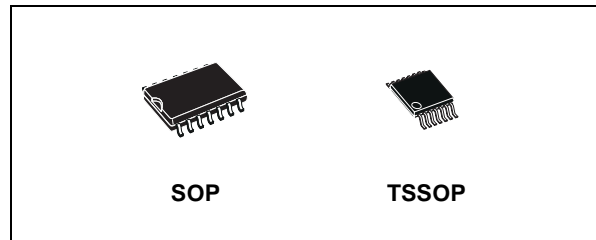




# 74LVX04

## LOW VOLTAGE CMOS HEX INVERTER WITH 5V TOLERANT INPUTS

- HIGH SPEED :  
 $t_{PD} = 4.1ns$  (TYP.) at  $V_{CC} = 3.3V$
- 5V TOLERANT INPUTS
- INPUT VOLTAGE LEVEL :  
 $V_{IL}=0.8V, V_{IH}=2V$  at  $V_{CC}=3V$
- LOW POWER DISSIPATION:  
 $I_{CC} = 2 \mu A$  (MAX.) at  $T_A=25^\circ C$
- LOW NOISE:  
 $V_{OLP} = 0.3V$  (TYP.) at  $V_{CC} = 3.3V$
- SYMMETRICAL OUTPUT IMPEDANCE:  
 $|I_{OH}| = I_{OL} = 4mA$  (MIN)
- BALANCED PROPAGATION DELAYS:  
 $t_{PLH} \cong t_{PHL}$
- OPERATING VOLTAGE RANGE:  
 $V_{CC}(OPR) = 2V$  to  $3.6V$  (1.2V Data Retention)
- PIN AND FUNCTION COMPATIBLE WITH 74 SERIES 04
- IMPROVED LATCH-UP IMMUNITY
- POWER DOWN PROTECTION ON INPUTS



### ORDER CODES

| PACKAGE | TUBE     | T & R      |
|---------|----------|------------|
| SOP     | 74LVX04M | 74LVX04MTR |
| TSSOP   |          | 74LVX04TTR |

### DESCRIPTION

The 74LVX04 is a low voltage CMOS HEX INVERTER fabricated with sub-micron silicon gate and double-layer metal wiring C<sup>2</sup>MOS technology. It is ideal for low power, battery operated and low noise 3.3V applications.

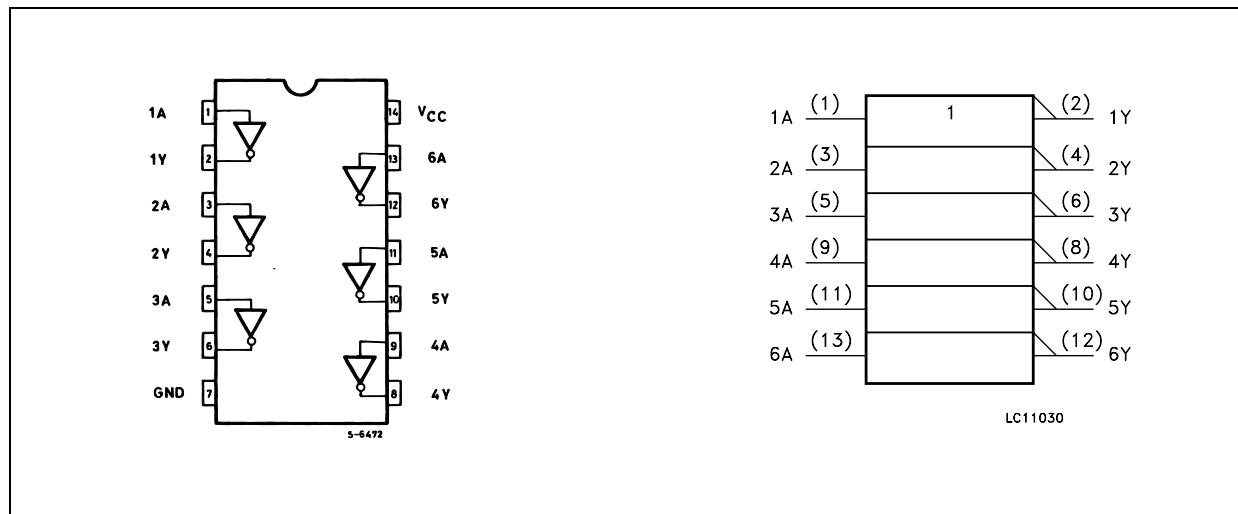
The internal circuit is composed of 3 stages including buffer output, which provides high noise immunity and stable output.

Power down protection is provided on all inputs and 0 to 7V can be accepted on inputs with no regard to the supply voltage.

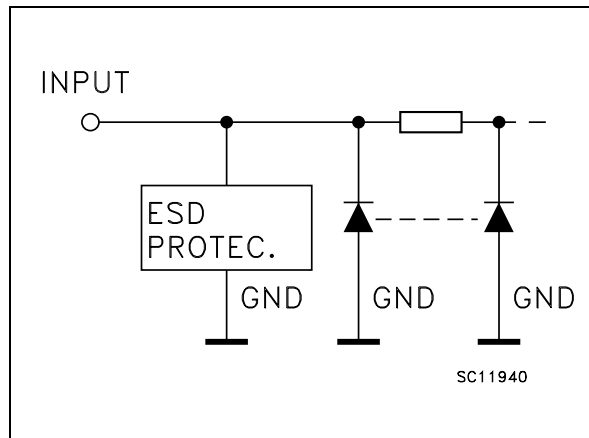
This device can be used to interface 5V to 3V system. It combines high speed performance with the true CMOS low power consumption.

All inputs and outputs are equipped with protection circuits against static discharge, giving them 2KV ESD immunity and transient excess voltage.

### PIN CONNECTION AND IEC LOGIC SYMBOLS



## INPUT EQUIVALENT CIRCUIT



## PIN DESCRIPTION

| PIN No             | SYMBOL          | NAME AND FUNCTION       |
|--------------------|-----------------|-------------------------|
| 1, 3, 5, 9, 11, 13 | 1A to 6A        | Data Inputs             |
| 2, 4, 6, 8, 10, 12 | 1Y to 6Y        | Data Outputs            |
| 7                  | GND             | Ground (0V)             |
| 14                 | V <sub>CC</sub> | Positive Supply Voltage |

## TRUTH TABLE

| A | Y |
|---|---|
| L | H |
| H | L |

## ABSOLUTE MAXIMUM RATINGS

| Symbol                              | Parameter                            | Value                         | Unit |
|-------------------------------------|--------------------------------------|-------------------------------|------|
| V <sub>CC</sub>                     | Supply Voltage                       | -0.5 to +7.0                  | V    |
| V <sub>I</sub>                      | DC Input Voltage                     | -0.5 to +7.0                  | V    |
| V <sub>O</sub>                      | DC Output Voltage                    | -0.5 to V <sub>CC</sub> + 0.5 | V    |
| I <sub>IK</sub>                     | DC Input Diode Current               | - 20                          | mA   |
| I <sub>OK</sub>                     | DC Output Diode Current              | ± 20                          | mA   |
| I <sub>O</sub>                      | DC Output Current                    | ± 25                          | mA   |
| I <sub>CC</sub> or I <sub>GND</sub> | DC V <sub>CC</sub> or Ground Current | ± 50                          | mA   |
| T <sub>stg</sub>                    | Storage Temperature                  | -65 to +150                   | °C   |
| T <sub>L</sub>                      | Lead Temperature (10 sec)            | 300                           | °C   |

Absolute Maximum Ratings are those values beyond which damage to the device may occur. Functional operation under these conditions is not implied.

## RECOMMENDED OPERATING CONDITIONS

| Symbol          | Parameter  | Value                | Unit |
|-----------------|--|----------------------|------|
| V <sub>CC</sub> | Supply Voltage (note 1)                                    | 2 to 3.6             | V    |
| V <sub>I</sub>  | Input Voltage  | 0 to 5.5             | V    |
| V <sub>O</sub>  | Output Voltage   | 0 to V <sub>CC</sub> | V    |
| T <sub>op</sub> | Operating Temperature                                      | -55 to 125           | °C   |
| dt/dv           | Input Rise and Fall Time (note 2) (V <sub>CC</sub> = 3.3V) | 0 to 100             | ns/V |

1) Truth Table guaranteed: 1.2V to 3.6V

2) V<sub>IN</sub> from 0.8V to 2.0V

## DC SPECIFICATIONS

| Symbol          | Parameter                 | Test Condition         |   | Value                 |      |       |             |      |              | Unit |      |
|-----------------|---------------------------|------------------------|---|-----------------------|------|-------|-------------|------|--------------|------|------|
|                 |                           | V <sub>CC</sub><br>(V) |   | T <sub>A</sub> = 25°C |      |       | -40 to 85°C |      | -55 to 125°C |      |      |
|                 |                           |                        |   | Min.                  | Typ. | Max.  | Min.        | Max. | Min.         |      | Max. |
| V <sub>IH</sub> | High Level Input Voltage  | 2.0                    |   | 1.5                   |      |       | 1.5         |      | 1.5          |      | V    |
|                 |                           | 3.0                    |   | 2.0                   |      |       | 2.0         |      | 2.0          |      |      |
|                 |                           | 3.6                    |   | 2.4                   |      |       | 2.4         |      | 2.4          |      |      |
| V <sub>IL</sub> | Low Level Input Voltage   | 2.0                    |   |                       |      | 0.5   |             | 0.5  |              | 0.5  | V    |
|                 |                           | 3.0                    |   |                       |      | 0.8   |             | 0.8  |              | 0.8  |      |
|                 |                           | 3.6                    |   |                       |      | 0.8   |             | 0.8  |              | 0.8  |      |
| V <sub>OH</sub> | High Level Output Voltage | 2.0                    | I <sub>O</sub> =-50 μA                  | 1.9                   | 2.0  |       | 1.9         |      | 1.9          |      | V    |
|                 |                           | 3.0                    | I <sub>O</sub> =-50 μA                  | 2.9                   | 3.0  |       | 2.9         |      | 2.9          |      |      |
|                 |                           | 3.0                    | I <sub>O</sub> =-4 mA                   | 2.58                  |      |       | 2.48        |      | 2.4          |      |      |
| V <sub>OL</sub> | Low Level Output Voltage  | 2.0                    | I <sub>O</sub> =50 μA                   |                       | 0.0  | 0.1   |             | 0.1  |              | 0.1  | V    |
|                 |                           | 3.0                    | I <sub>O</sub> =50 μA                   |                       | 0.0  | 0.1   |             | 0.1  |              | 0.1  |      |
|                 |                           | 3.0                    | I <sub>O</sub> =4 mA                    |                       |      | 0.36  |             | 0.44 |              | 0.55 |      |
| I <sub>I</sub>  | Input Leakage Current     | 3.6                    | V <sub>I</sub> = 5V or GND              |                       |      | ± 0.1 |             | ± 1  |              | ± 1  | μA   |
| I <sub>CC</sub> | Quiescent Supply Current  | 3.6                    | V <sub>I</sub> = V <sub>CC</sub> or GND |                       |      | 2     |             | 20   |              | 20   | μA   |

## DYNAMIC SWITCHING CHARACTERISTICS

| Symbol           | Parameter                                    | Test Condition         |                        | Value                 |      |      |             |      |              | Unit |      |
|------------------|--|------------------------|------------------------|-----------------------|------|------|-------------|------|--------------|------|------|
|                  |  | V <sub>CC</sub><br>(V) |                        | T <sub>A</sub> = 25°C |      |      | -40 to 85°C |      | -55 to 125°C |      |      |
|                  |  |                        |                        | Min.                  | Typ. | Max. | Min.        | Max. | Min.         |      | Max. |
| V <sub>OLP</sub> | Dynamic Low Voltage Quiet Output (note 1, 2) | 3.3                    | C <sub>L</sub> = 50 pF |                       | 0.3  | 0.5  |             |      |              |      | V    |
| V <sub>OLV</sub> |  |                        |                        | -0.5                  | -0.3 |      |             |      |              |      |      |
| V <sub>IHD</sub> | 2  |                        |                        |                       |      |      |             |      |              |      |      |
| V <sub>ILD</sub> |  |                        |                        | 0.8                   |      |      |             |      |              |      |      |

1) Worst case package.

2) Max number of outputs defined as (n). Data inputs are driven 0V to 3.3V, (n-1) outputs switching and one output at GND.

3) Max number of data inputs (n) switching. (n-1) switching 0V to 3.3V. Inputs under test switching: 3.3V to threshold (V<sub>ILD</sub>), 0V to threshold (V<sub>IHD</sub>), f=1MHz.

AC ELECTRICAL CHARACTERISTICS (Input  $t_r = t_f = 3\text{ns}$ )

| Symbol                   | Parameter                              | Test Condition  |               | Value                    |      |      |                             |      |                              |      |    | Unit |
|--------------------------|--|-----------------|---------------|--------------------------|------|------|-----------------------------|------|------------------------------|------|----|------|
|                          |  | $V_{CC}$<br>(V) | $C_L$<br>(pF) | $T_A = 25^\circ\text{C}$ |      |      | $-40$ to $85^\circ\text{C}$ |      | $-55$ to $125^\circ\text{C}$ |      |    |      |
|                          |  |                 |               | Min.                     | Typ. | Max. | Min.                        | Max. | Min.                         | Max. |    |      |
| $t_{PLH}$ $t_{PHL}$      | Propagation Delay Time                 | 2.7             | 15            |                          | 5.4  | 10.1 | 1.0                         | 12.5 | 1.0                          | 14.5 | ns |      |
|                          |  | 2.7             | 50            |                          | 7.9  | 13.6 | 1.0                         | 16.0 | 1.0                          | 18.0 |    |      |
|                          |  | 3.3(*)          | 15            |                          | 4.1  | 6.2  | 1.0                         | 7.5  | 1.0                          | 8.5  |    |      |
|                          |  | 3.3(*)          | 50            |                          | 6.6  | 9.7  | 1.0                         | 11.0 | 1.0                          | 12.0 |    |      |
| $t_{OSLH}$<br>$t_{OSHL}$ | Output To Output Skew Time (note 1, 2) | 2.7             | 50            |                          | 0.5  | 1.0  |                             | 1.5  |                              | 1.5  | ns |      |
|                          |  | 3.3(*)          | 50            |                          | 0.5  | 1.0  |                             | 1.5  |                              | 1.5  |    |      |

1) Skew is defined as the absolute value of the difference between the actual propagation delay for any two outputs of the same device switching in the same direction, either HIGH or LOW

2) Parameter guaranteed by design

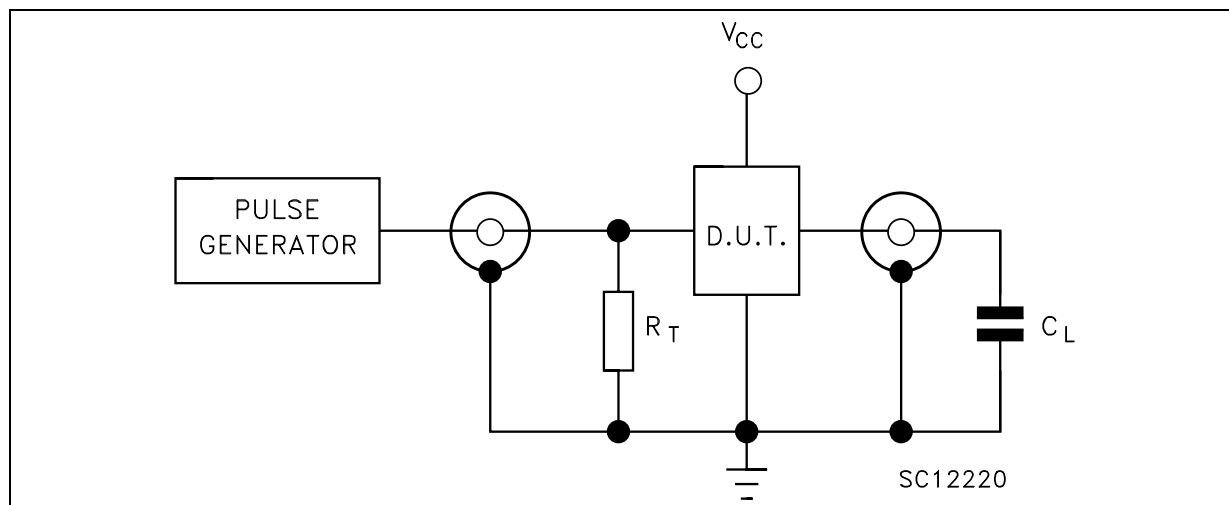
(\*) Voltage range is  $3.3\text{V} \pm 0.3\text{V}$

## CAPACITIVE CHARACTERISTICS

| Symbol   | Parameter                              | Test Condition  |  | Value                    |      |      |                             |      |                              |      |    | Unit |
|----------|--|-----------------|--|--------------------------|------|------|-----------------------------|------|------------------------------|------|----|------|
|          |  | $V_{CC}$<br>(V) |  | $T_A = 25^\circ\text{C}$ |      |      | $-40$ to $85^\circ\text{C}$ |      | $-55$ to $125^\circ\text{C}$ |      |    |      |
|          |  |                 |  | Min.                     | Typ. | Max. | Min.                        | Max. | Min.                         | Max. |    |      |
| $C_{IN}$ | Input Capacitance                      | 3.3             |  |                          | 4    | 10   |                             | 10   |                              | 10   | pF |      |
| $C_{PD}$ | Power Dissipation Capacitance (note 1) | 3.3             |  |                          | 18   |      |                             |      |                              |      | pF |      |

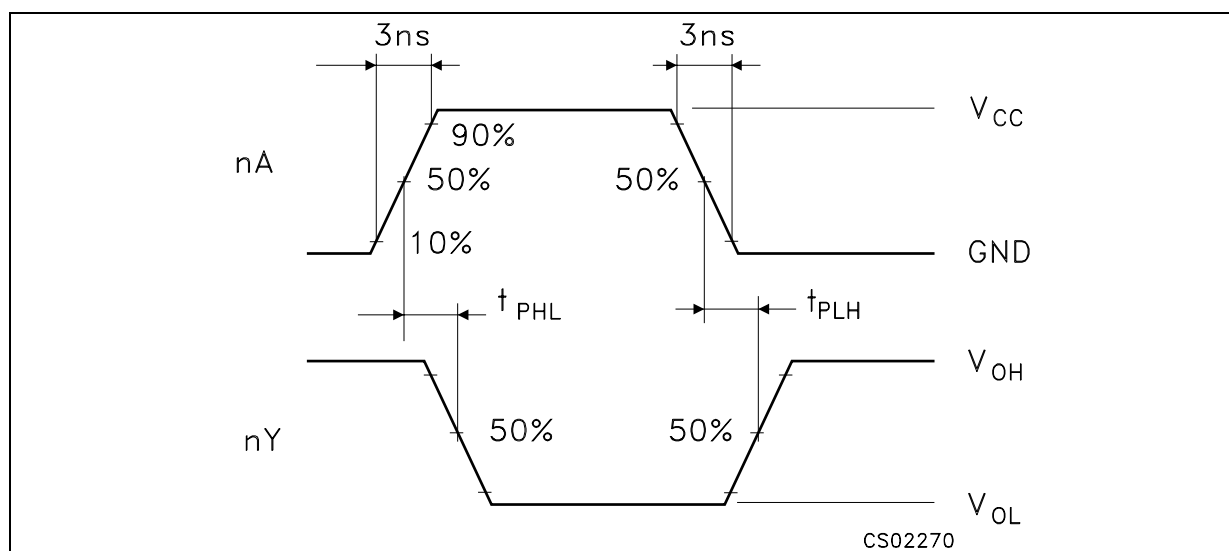
1)  $C_{PD}$  is defined as the value of the IC's internal equivalent capacitance which is calculated from the operating current consumption without load. (Refer to Test Circuit). Average operating current can be obtained by the following equation.  $I_{CC(opr)} = C_{PD} \times V_{CC} \times f_{IN} + I_{CC}/6$  (per gate)

## TEST CIRCUIT



$C_L = 15/50\text{pF}$  or equivalent (includes jig and probe capacitance)  
 $R_T = Z_{\text{OUT}}$  of pulse generator (typically  $50\Omega$ )

## WAVEFORM: PROPAGATION DELAYS (f=1MHz; 50% duty cycle)



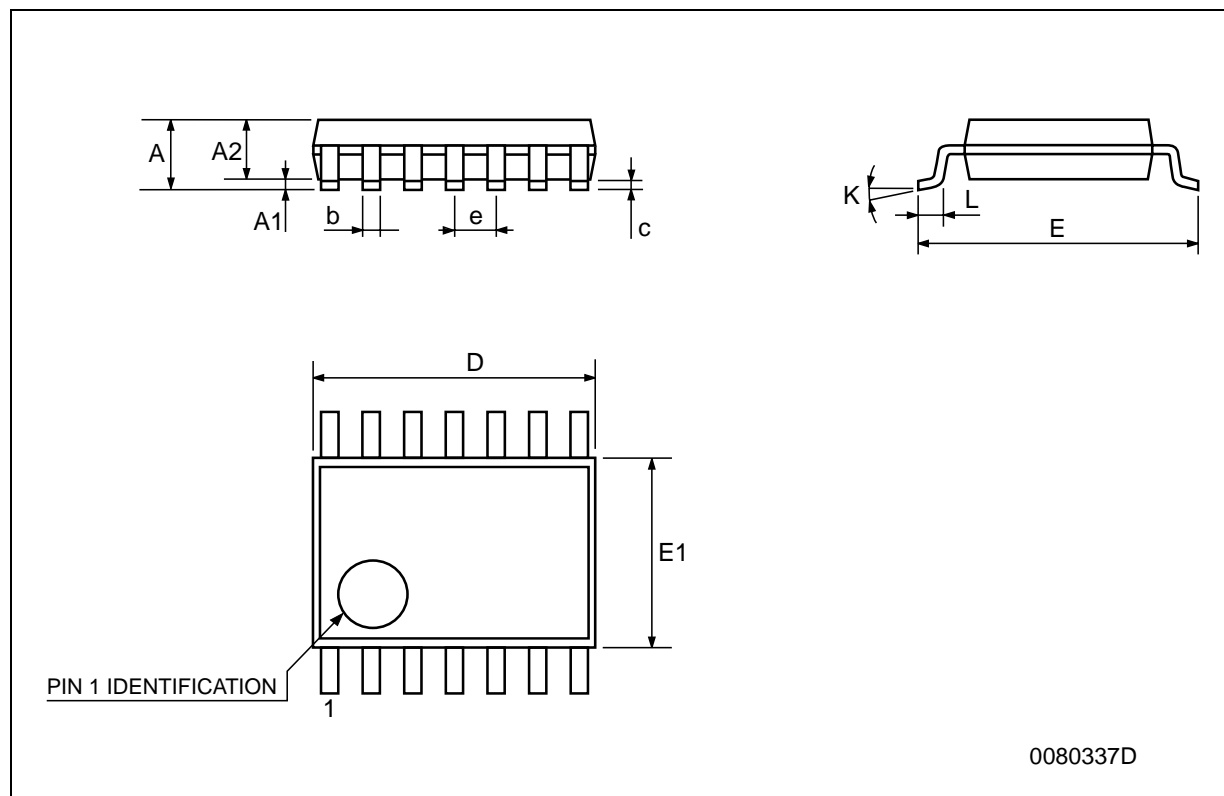
## SO-14 MECHANICAL DATA

| DIM. | mm.        |      |      | inch  |       |       |
|------|------------|------|------|-------|-------|-------|
|      | MIN.       | TYP. | MAX. | MIN.  | TYP.  | MAX.  |
| A    |            |      | 1.75 |       |       | 0.068 |
| a1   | 0.1        |      | 0.2  | 0.003 |       | 0.007 |
| a2   |            |      | 1.65 |       |       | 0.064 |
| b    | 0.35       |      | 0.46 | 0.013 |       | 0.018 |
| b1   | 0.19       |      | 0.25 | 0.007 |       | 0.010 |
| C    |            | 0.5  |      |       | 0.019 |       |
| c1   | 45° (typ.) |      |      |       |       |       |
| D    | 8.55       |      | 8.75 | 0.336 |       | 0.344 |
| E    | 5.8        |      | 6.2  | 0.228 |       | 0.244 |
| e    |            | 1.27 |      |       | 0.050 |       |
| e3   |            | 7.62 |      |       | 0.300 |       |
| F    | 3.8        |      | 4.0  | 0.149 |       | 0.157 |
| G    | 4.6        |      | 5.3  | 0.181 |       | 0.208 |
| L    | 0.5        |      | 1.27 | 0.019 |       | 0.050 |
| M    |            |      | 0.68 |       |       | 0.026 |
| S    | 8° (max.)  |      |      |       |       |       |



## TSSOP14 MECHANICAL DATA

| DIM. | mm.  |          |      | inch  |            |        |
|------|------|----------|------|-------|------------|--------|
|      | MIN. | TYP      | MAX. | MIN.  | TYP.       | MAX.   |
| A    |      |          | 1.2  |       |            | 0.047  |
| A1   | 0.05 |          | 0.15 | 0.002 | 0.004      | 0.006  |
| A2   | 0.8  | 1        | 1.05 | 0.031 | 0.039      | 0.041  |
| b    | 0.19 |          | 0.30 | 0.007 |            | 0.012  |
| c    | 0.09 |          | 0.20 | 0.004 |            | 0.0089 |
| D    | 4.9  | 5        | 5.1  | 0.193 | 0.197      | 0.201  |
| E    | 6.2  | 6.4      | 6.6  | 0.244 | 0.252      | 0.260  |
| E1   | 4.3  | 4.4      | 4.48 | 0.169 | 0.173      | 0.176  |
| e    |      | 0.65 BSC |      |       | 0.0256 BSC |        |
| K    | 0°   |          | 8°   | 0°    |            | 8°     |
| L    | 0.45 | 0.60     | 0.75 | 0.018 | 0.024      | 0.030  |



Information furnished is believed to be accurate and reliable. However, STMicroelectronics assumes no responsibility for the consequences of use of such information nor for any infringement of patents or other rights of third parties which may result from its use. No license is granted by implication or otherwise under any patent or patent rights of STMicroelectronics. Specifications mentioned in this publication are subject to change without notice. This publication supersedes and replaces all information previously supplied. STMicroelectronics products are not authorized for use as critical components in life support devices or systems without express written approval of STMicroelectronics.

© The ST logo is a registered trademark of STMicroelectronics

© 2001 STMicroelectronics - Printed in Italy - All Rights Reserved  
STMicroelectronics GROUP OF COMPANIES

Australia - Brazil - China - Finland - France - Germany - Hong Kong - India - Italy - Japan - Malaysia - Malta - Morocco  
Singapore - Spain - Sweden - Switzerland - United Kingdom

© <http://www.st.com>



Copyright © Each Manufacturing Company.

All Datasheets cannot be modified without permission.

This datasheet has been download from :

[www.AllDataSheet.com](http://www.AllDataSheet.com)

100% Free DataSheet Search Site.

Free Download.

No Register.

Fast Search System.

[www.AllDataSheet.com](http://www.AllDataSheet.com)