



Micro Commercial Components
 21201 Itasca Street Chatsworth
 CA 91311
 Phone: (818) 701-4933
 Fax: (818) 701-4939

**W005G
 THRU
 W10G**

Features

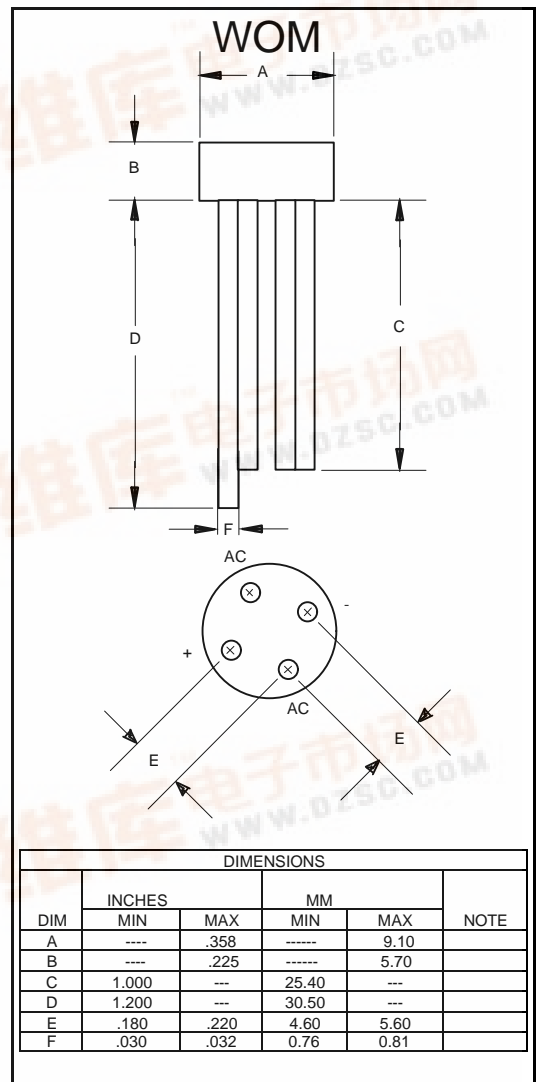
- High Current Capability
- Ideal for printed circuit boards
- High Temperature Soldering: 260°C for 10 seconds
- Reliable low cost construction technique results in inexpensive products

**1.5Amp Glass
 Passivated Bridge
 Rectifier
 50 to 1000 Volts**

Maximum Ratings

- Operating Temperature: -55°C to +150°C
- Storage Temperature: -55°C to +150°C
- For capacitive load. Derate current by 20%

MCC Part Number	Maximum Recurrent Peak Reverse Voltage	Maximum RMS Voltage	Maximum DC Blocking Voltage
W005G	50V	35V	50V
W01G	100V	70V	100V
W02G	200V	140V	200V
W04G	400V	280V	400V
W06G	600V	420V	600V
W08G	800V	560V	800V
W10G	1000V	700V	1000V



Electrical Characteristics @ 25°C Unless Otherwise Specified

Average Forward Current	$I_{F(AV)}$	1.5 A	$T_C = 50^\circ C$
Peak Forward Surge Current	I_{FSM}	50A	8.3ms, half sine
Maximum Instantaneous Forward Voltage	V_F	1.10V	$I_{FM} = 1.0A;$ $T_C = 25^\circ C$
Maximum DC Reverse Current At Rated DC Blocking Voltage	I_R	10µA 500uA	$T_C = 25^\circ C$ $T_C = 125^\circ C$



W005G thru W10G

