

W99132EX / W99132E / W99132P



VCD CONTROLLER

GENERAL DESCRIPTION

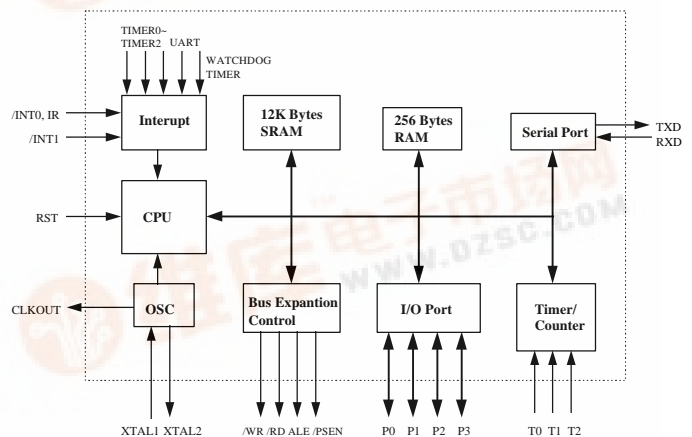
The W99132 is a VCD microcontroller with standard 80C32 core. It contains embedded 12KB SRAM without external memory anymore. It provides improved peripheral function as to communicate with other components conveniently. And a programmable Watchdog Timer is dedicated to supervising the system. It also support Remote Control Receiver to sense user command more rapidly and correctly. Additional direct block move operation with auto-increment on source or destination address provide an efficient data move ability.

FEATURES

- 8-Bit CMOS microcontroller
- Up to 50 MHz operation
- Additional instructions of memory to memory move with two 16-bit Data Pointers
- 256-byte Scratchpad RAM
- 12k-byte data memory embedded
- 64k-byte address space for external Program Memory
- 64k-byte address space for external Data Memory
- Three 16-bit timer/counter, the timer0 clock can be programmed
- Four 8-bit bidirectional ports
- A Seven-source interrupt structure with two priority levels
- An additional a programmable watchdog timer
- One enhanced programmable full duplex serial port
- NEC, PHILIPS and SANYO format remote control receiver
- Power-on reset
- Built-in power-saving modes - Idle mode & Power-down mode
- An additional system Clock Output (W99132E, W99132P)
- Operating voltage 4.5V ~ 5.5V
- 40-pin DIP package (W99132EX, W99132E)
- 44-pin PLCC package (W99132P)

W99132 Functional Block

Following figure shows the function block of W99132



APPLICATIONS

- VCD player
- DVD player
- Multimedia system

The following figure shows a typical VCD player connection diagram of W99132

