



TSM103W

Dual Operational Amplifier and Voltage Reference

OPERATIONAL AMPLIFIER

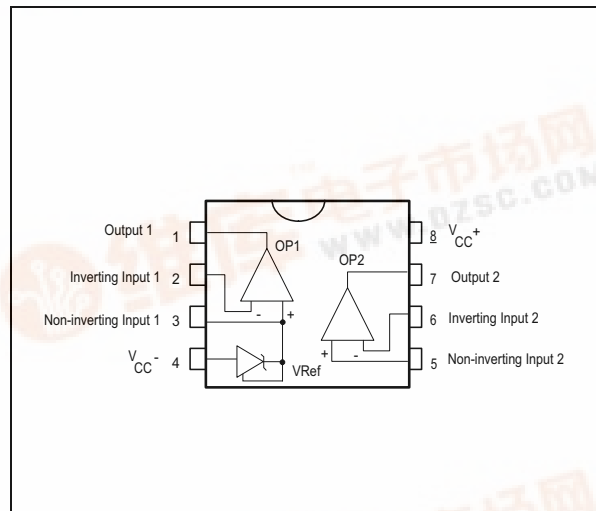
- **LOW INPUT OFFSET VOLTAGE** : 0.5mV typ.
- **LOW SUPPLY CURRENT** : 350µA/op. (@ $V_{CC} = 5V$)
- **MEDIUM BANDWIDTH** (unity gain) : 0.9MHz
- **LARGE OUTPUT VOLTAGE SWING** : 0V to ($V_{CC} - 1.5V$)
- **INPUT COMMON MODE VOLTAGE RANGE INCLUDES GROUND**
- **WIDE POWER SUPPLY RANGE** : 3 to 32V ± 1.5 TO $\pm 16V$
- **1.5kV ESD PROTECTION**
- **VOLTAGE REFERENCE**
- **FIXED OUTPUT VOLTAGE REFERENCE** 2.5V
- **$\pm 0.4\%$ OR $\pm 0.7\%$ VOLTAGE PRECISION**
- **SINK CURRENT CAPABILITY** : 1 to 100mA
- **TYPICAL OUTPUT IMPEDANCE** : 0.2Ω



DESCRIPTION

The TSM103W is a monolithic IC that includes one independent op-amp and another op-amp for which the non-inverting input is wired to a 2.5V fixed Voltage Reference. This device offers both space and cost savings in many applications such as power supply management or data acquisition systems.

PIN CONNECTIONS (top view)



ORDER CODE

| Part Number | Temperature Range | Package | Packaging |
|-------------|-------------------|---------|-------------|
| TSM103WID | -40, +105°C | SO-8 | Tube |
| TSM103WIDT | | | Tape & Reel |
| TSM103WAID | | | Tube |
| TSM103WAIDT | | | Tape & Reel |

1 ABSOLUTE MAXIMUM RATINGS

| Symbol | Parameter | Value | Unit |
|------------|---|-------------------------|------|
| V_{CC} | Supply Voltage | 36 | V |
| V_{id} | Differential Input Voltage | $V_{CC} + 0.6$ | V |
| V_i | Input VoltageL | -0.3 to $V_{CC} + 0.3V$ | V |
| T_{stg} | Storage temperature range | -65 to + 150 | °C |
| I_k | Continuous cathode current range | -100 to 150 | mA |
| T_j | Maximum Junction Temperature | 150 | °C |
| R_{thja} | Thermal Resistance Junction to Ambient (SO package) | 175 | °C/W |
| T_l | Maximum Lead Temperature (10 seconds maximum) | 260 | °C |
| ESD | Electrostatic Discharge Protection | 1.5 | kV |

OPERATING CONDITIONS

| Symbol | Parameter | Value | Unit |
|------------|--------------------------------------|---------------|------|
| V_{CC} | DC Supply Conditions | 3 to 32 | V |
| I_k | Vref Cathode Current | 1 to 100 | mA |
| T_{oper} | Operating Free-air Temperature Range | -40°C, +105°C | °C |

2 ELECTRICAL CHARACTERISTICS

| Symbol | Parameter | Min. | Typ. | Max. | Unit |
|----------|---|------|------|----------|------|
| I_{CC} | Total Supply Current, excluding Current in the Voltage Reference V _{CC+} = 5V, no load T _{min.} < T _{amb} < T _{max.} V _{CC+} = 30V, no load T _{min.} < T _{amb} < T _{max.} | | 0.7 | 1.2 2 | mA |

OPERATOR 2 (independent op-amp)V_{CC+} = +5V, V_{CC} = Ground, V_o = 1.4V, T_{amb} = 25°C (unless otherwise specified)

| Symbol | Parameter | Min. | Typ. | Max. | Unit |
|------------------|--|----------------------|----------|--|----------|
| V_{io} | Input Offset Voltage V _{icm} = 0V TSM103WA, T _{amb} = 25° T _{min.} ≤ T _{amb} ≤ T _{max.} TSM103W, T _{amb} = 25° T _{min.} ≤ T _{amb} ≤ T _{max.} | | 0.5 1 | 2 3 4 5 | mV |
| DV _{io} | Input Offset Voltage Drift | | 7 | | μV/°C |
| I_{io} | Input Offset Current T _{min.} ≤ T _{amb} ≤ T _{max.} | | 2 | 75 150 | nA |
| I_{ib} | Input Bias Current T _{min.} ≤ T _{amb} ≤ T _{max.} | | 20 | 150 200 | nA |
| Avd | Large Signal Voltage Gain V _{CC} = 15V, R _L = 2k, V _o = 1.4V to 11.4V T _{min.} ≤ T _{amb} ≤ T _{max.} | 50 25 | 100 | | V/mV |
| SVR | Supply Voltage Rejection Ratio V _{CC} = 5V to 30V | 65 | 100 | | dB |
| V _{icm} | Input Common Mode Voltage Range V _{CC} = +30V - see note ¹ T _{min.} ≤ T _{amb} ≤ T _{max.} | 0 0 | | (V _{CC+}) -1.5 (V _{CC+}) -2 | V |
| CMR | Common Mode Rejection Ratio T _{min.} ≤ T _{amb} ≤ T _{max.} | 70 60 | 85 | | dB |
| I_{source} | Output Current Source V _{CC} = +15V, V _o = 2V, V _{id} = +1V | 20 | 40 | | mA |
| I_o | Short Circuit to Ground V _{CC} = +15V | | 40 | 60 | mA |
| I_{sink} | Output Current Sink V _{id} = -1V, V _{CC} = +15V, V _o = 2V V _{CC} = +15V, V _o = 0.2V | 10 12 | 20 50 | | mA μA |
| V _{OH} | High Level Output Voltage V _{CC+} = 30V T _{amb} = 25°C, R _L = 2k T _{min.} ≤ T _{amb} ≤ T _{max.} T _{amb} = 25°C, R _L = 10k T _{min.} ≤ T _{amb} ≤ T _{max.} | 26 26 27 27 | 27 28 | | V |
| V _{OL} | Low Level Output Voltage R _L = 10k T _{min.} ≤ T _{amb} ≤ T _{max.} | | 5 | 20 20 | mV |
| SR | Slew Rate at Unity Gain V _i = 0.5 to 3V, V _{CC} = 15V R _L = 2k, C _L = 100pF, unity gain | 0.2 | 0.4 | | V/μs |

| Symbol | Parameter | Min. | Typ. | Max. | Unit |
|--------|---|------|------|------|-----------------|
| GBP | Gain Bandwidth Product $V_{CC} = 30V, R_L = 2k, C_L = 100pF$ $f = 100kHz, V_{in} = 10mV$ | 0.5 | 0.9 | | MHz |
| THD | Total Harmonic Distortion $f = 1kHz$ $A_V = 20dB, R_L = 2k, V_{CC} = 30V$ $C_L = 100pF, V_o = 2V_{pp}$ | | 0.02 | | % |
| e_n | Equivalent Input Noise Voltage $f = 1kHz, R_s = 100\Omega$ $V_{CC} = 30V$ | | 50 | | nV/ \sqrt{Hz} |

1) The input common-mode voltage of either input signal voltage should not be allowed to go negative by more than 0.3V. The upper end of the common-mode voltage range is $V_{CC}^+ - 1.5V$. Both inputs can go to $V_{CC} + 0.3V$ without damage.

OPERATOR 1 (op-amp with non-inverting input connected to the internal Vref)

$V_{CC}^+ = +5V, V_{CC}^- = \text{Ground}, T_{amb} = 25^\circ C$ (unless otherwise specified)

| Symbol | Parameter | Min. | Typ. | Max. | Unit |
|--------------|--|----------------------|----------|------------------|------------------|
| V_{io} | Input Offset Voltage $V_{icm} = 0V$ TSM103WA, $T_{amb} = 25^\circ$ $T_{min.} \leq T_{amb} \leq T_{max.}$ TSM103W, $T_{amb} = 25^\circ$ $T_{min.} \leq T_{amb} \leq T_{max.}$ | | 0.5 1 | 2 3 4 5 | mV |
| DV_{io} | Input Offset Voltage Drift | | 7 | | $\mu V/^\circ C$ |
| I_{ib} | Input Bias Current negative input | | 20 | | nA |
| A_{vd} | Large Signal Voltage Gain $V_{CC} = 15V, R_L = 2k, V_o = 1.4V \text{ to } 11.4V$ $T_{min.} \leq T_{amb} \leq T_{max.}$ | | 100 | | V/mV |
| SVR | Supply Voltage Rejection Ratio $V_{icm} = 0V$ $V_{CC}^+ = 5V \text{ to } 30V$ | 65 | 100 | | dB |
| I_{source} | Output Current Source $V_o = 2V$ $V_{CC} = +15V, V_{id} = +1V$ | 20 | 40 | | mA |
| I_o | Short Circuit to Ground $V_{CC} = +15V$ | | 40 | 60 | mA |
| I_{sink} | Output Current Sink $V_{id} = -1V,$ $V_{CC} = +15V, V_o = 2V$ $V_{CC} = +15V, V_o = 0.2V$ | 10 12 | 20 50 | | mA μA |
| V_{OH} | High Level Output Voltage $V_{CC}^+ = 30V$ $T_{amb} = 25^\circ C, R_L = 2k$ $T_{min.} \leq T_{amb} \leq T_{max.}$ $T_{amb} = 25^\circ C, R_L = 10k$ $T_{min.} \leq T_{amb} \leq T_{max.}$ | 26 26 27 27 | 27 28 | | V |
| V_{OL} | Low Level Output Voltage $R_L = 10k$ $T_{min.} \leq T_{amb} \leq T_{max.}$ | | 5 | 20 20 | mV |
| SR | Slew Rate at Unity Gain $V_i = 0.5 \text{ to } 2V, V_{CC} = 15V$ $R_L = 2k, C_L = 100pF, \text{ unity gain}$ | 0.2 | 0.4 | | V/ μs |

ELECTRICAL CHARACTERISTICS

TSM103W

| Symbol | Parameter | Min. | Typ. | Max. | Unit |
|--------|---|------|------|------|------|
| GBP | Gain Bandwidth Product $V_{CC} = 30V, R_L = 2k, C_L = 100pF$ $f = 100kHz, V_{in} = 10mV$ | 0.5 | 0.9 | | MHz |
| THD | Total Harmonic Distortion $f = 1kHz$ $A_V = 20dB, R_L = 2k, V_{CC} = 30V$ $C_L = 100pF, V_o = 2V_{pp}$ | | 0.02 | | % |

VOLTAGE REFERENCE

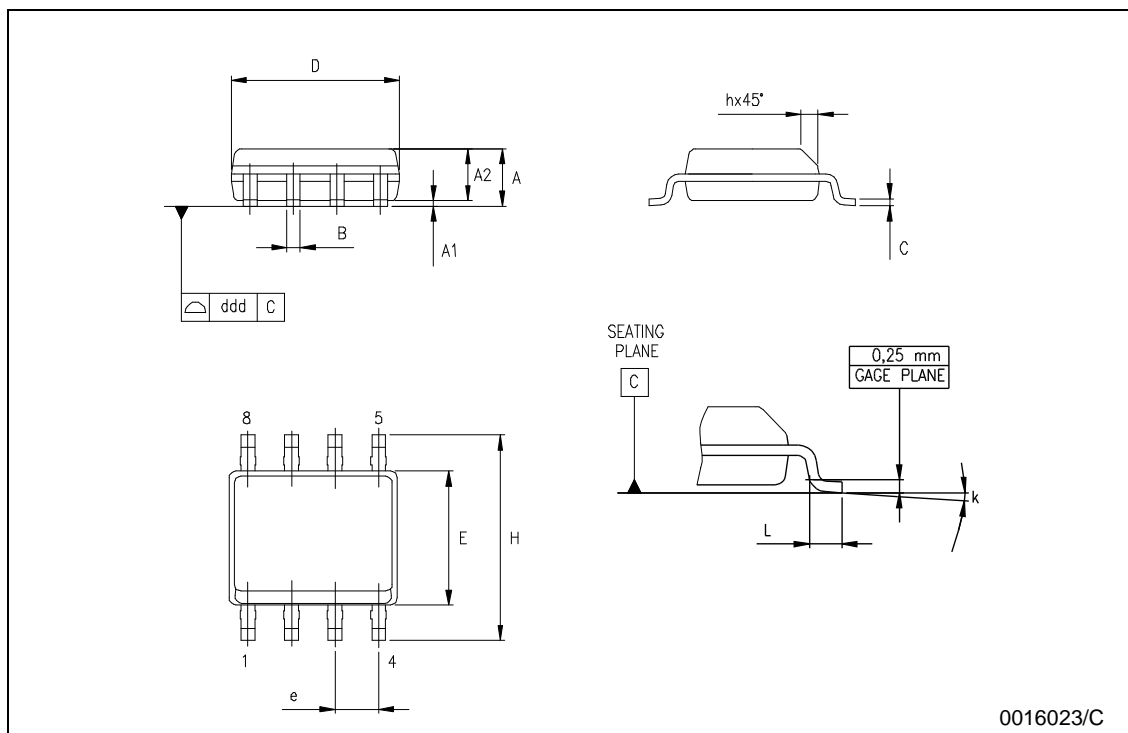
| Symbol | Parameter | Min. | Typ. | Max. | Unit |
|------------------|--|--------------------------------|--------------|--------------------------------|----------|
| V_{ref} | Reference Input Voltage, $I_k=10mA$ TSM103WA $\pm 0.4\%$ $T_{amb} = 25^\circ C$ $T_{min.} \leq T_{amb} \leq T_{max.}$ TSM103W $\pm 0.7\%$ $T_{amb} = 25^\circ C$ $T_{min.} \leq T_{amb} \leq T_{max.}$ | 2.49 2.48 2.482 2.465 | 2.5 2.500 | 2.51 2.52 2.518 2.535 | V |
| ΔV_{ref} | Reference Input Voltage Deviation Over Temperature Range $V_{KA} = V_{ref}; I_k = 10mA$ $T_{min.} \leq T_{amb} \leq T_{max.}$ | | 7 | 30 | mV |
| I_{min} | Minimum Cathode Current for Regulation $V_{KA} = V_{ref}$ | | 0.5 | 1 | mA |
| $ Z_{KA} $ | Dynamic Impedance - note ¹ $V_{KA} = V_{ref}, \Delta I_K = 1 \text{ to } 100mA, f < 1kHz$ | | 0.2 | 0.5 | Ω |

1) The dynamic impedance is defined as $|Z_{KA}| = \Delta V_{KA} / \Delta I_K$

PACKAGE MECHANICAL DATA

SO-8 MECHANICAL DATA

| DIM. | mm. | | | inch | | |
|------|-----------|------|------|-------|-------|-------|
| | MIN. | TYP. | MAX. | MIN. | TYP. | MAX. |
| A | 1.35 | | 1.75 | 0.053 | | 0.069 |
| A1 | 0.10 | | 0.25 | 0.04 | | 0.010 |
| A2 | 1.10 | | 1.65 | 0.043 | | 0.065 |
| B | 0.33 | | 0.51 | 0.013 | | 0.020 |
| C | 0.19 | | 0.25 | 0.007 | | 0.010 |
| D | 4.80 | | 5.00 | 0.189 | | 0.197 |
| E | 3.80 | | 4.00 | 0.150 | | 0.157 |
| e | | 1.27 | | | 0.050 | |
| H | 5.80 | | 6.20 | 0.228 | | 0.244 |
| h | 0.25 | | 0.50 | 0.010 | | 0.020 |
| L | 0.40 | | 1.27 | 0.016 | | 0.050 |
| k | 8° (max.) | | | | | |
| ddd | | | 0.1 | | | 0.04 |



3 SUMMARY OF CHANGES

| Date | Revision | Description of Changes |
|---------------|----------|---|
| | 1-2 | First Release |
| 02-April-2004 | 3 | 1 - Vid=Vcc+0.6 modified on AMR table - page 2 2 - Add Ik parameter on AMR table - page 2 3 - Avd test condition equal on both tables Operator 1 & Operator 2 - pages 3 & 4 |

Information furnished is believed to be accurate and reliable. However, STMicroelectronics assumes no responsibility for the consequences of use of such information nor for any infringement of patents or other rights of third parties which may result from its use. No license is granted by implication or otherwise under any patent or patent rights of STMicroelectronics. Specifications mentioned in this publication are subject to change without notice. This publication supersedes and replaces all information previously supplied. STMicroelectronics products are not authorized for use as critical components in life support devices or systems without express written approval of STMicroelectronics.

The ST logo is a registered trademark of STMicroelectronics
All other names are the property of their respective owners

© 2004 STMicroelectronics - All Rights Reserved

STMicroelectronics GROUP OF COMPANIES

Australia - Belgium - Brazil - Canada - China - Czech Republic - Finland - France - Germany - Hong Kong - India - Israel - Italy - Japan
Malaysia - Malta - Morocco - Singapore - Spain - Sweden - Switzerland - United Kingdom - United States

www.st.com