



February 1994
Revised May 2005

74LCX16244

Low Voltage 16-Bit Buffer/Line Driver with 5V Tolerant Inputs and Outputs

General Description

The LCX16244 contains sixteen non-inverting buffers with 3-STATE outputs designed to be employed as a memory and address driver, clock driver, or bus oriented transmitter/receiver. The device is nibble controlled. Each nibble has separate 3-STATE control inputs which can be shorted together for full 16-bit operation.

The LCX16244 is designed for low voltage (2.5 or 3.3V) V_{CC} applications with capability of interfacing to a 5V signal environment.

The LCX16244 is fabricated with an advanced CMOS technology to achieve high speed operation while maintaining CMOS low power dissipation.

Features

- 5V tolerant inputs and outputs
- 2.3V to 3.6V V_{CC} specifications provided
- 4.5 ns t_{PD} max, 10 μ A I_{CCQ} max
- Power down high impedance inputs and outputs
- Supports live insertion/withdrawal (Note 1)
- ± 24 mA output drive ($V_{CC} = 3.0V$)
- Uses patented noise/EMI reduction circuitry
- Latch-up performance exceeds 500 mA
- ESD performance:
 - Human body model > 2000V
 - Machine model > 200V
- Also packaged in plastic Fine-Pitch Ball Grid Array (FBGA)

Note 1: To ensure the high-impedance state during power up or down, \overline{OE} should be tied to V_{CC} through a pull-up resistor; the minimum value or the resistor is determined by the current-sourcing capability of the driver.

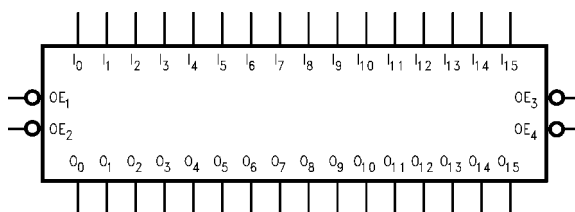
Ordering Code:

| Order Number | Package Number | Package Description |
|---------------------------------|----------------|---|
| 74LCX16244G (Note 2)(Note 3) | BGA54A | 54-Ball Fine-Pitch Ball Grid Array (FBGA), JEDEC MO-205, 5.5mm Wide |
| 74LCX16244MEA (Note 3) | MS48A | 48-Lead Small Shrink Outline Package (SSOP), JEDEC MO-118, 0.300" Wide |
| 74LCX16244MTD (Note 3) | MTD48 | 48-Lead Thin Shrink Small Outline Package (TSSOP), JEDEC MO-153, 6.1mm Wide |

Note 2: Ordering code "G" indicates Trays.

Note 3: Devices also available in Tape and Reel. Specify by appending the suffix letter "X" to the ordering code.

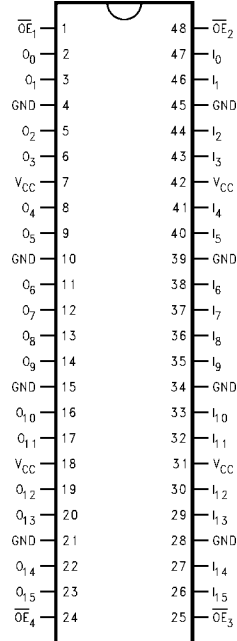
Logic Symbol



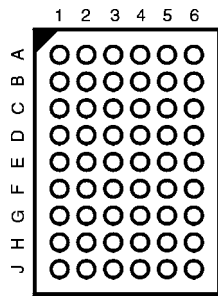
GTO™ is a trademark of Fairchild Semiconductor Corporation.

Connection Diagrams

Pin Assignment for SSOP and TSSOP



Pin Assignment for FBGA



(Top Thru View)

Pin Descriptions

| Pin Names | Description |
|-------------------|----------------------------------|
| \overline{OE}_n | Output Enable Input (Active LOW) |
| I_0-I_{15} | Inputs |
| O_0-O_{15} | Outputs |
| NC | No Connect |

FBGA Pin Assignments

| | 1 | 2 | 3 | 4 | 5 | 6 |
|----------|----------|----------|-------------------|-------------------|----------|----------|
| A | O_0 | NC | \overline{OE}_1 | \overline{OE}_2 | NC | I_0 |
| B | O_2 | O_1 | NC | NC | I_1 | I_2 |
| C | O_4 | O_3 | V_{CC} | V_{CC} | I_3 | I_4 |
| D | O_6 | O_5 | GND | GND | I_5 | I_6 |
| E | O_8 | O_7 | GND | GND | I_7 | I_8 |
| F | O_{10} | O_9 | GND | GND | I_9 | I_{10} |
| G | O_{12} | O_{11} | V_{CC} | V_{CC} | I_{11} | I_{12} |
| H | O_{14} | O_{13} | NC | NC | I_{13} | I_{14} |
| J | O_{15} | NC | \overline{OE}_4 | \overline{OE}_3 | NC | I_{15} |

Truth Tables

| Inputs | | Outputs |
|-------------------|-----------|-----------|
| \overline{OE}_1 | I_0-I_3 | O_0-O_3 |
| L | L | L |
| L | H | H |
| H | X | Z |

| Inputs | | Outputs |
|-------------------|-----------|-----------|
| \overline{OE}_2 | I_4-I_7 | O_4-O_7 |
| L | L | L |
| L | H | H |
| H | X | Z |

| Inputs | | Outputs |
|-------------------|--------------|--------------|
| \overline{OE}_3 | I_8-I_{11} | O_8-O_{11} |
| L | L | L |
| L | H | H |
| H | X | Z |

| Inputs | | Outputs |
|-------------------|-----------------|-----------------|
| \overline{OE}_4 | $I_{12}-I_{15}$ | $O_{12}-O_{15}$ |
| L | L | L |
| L | H | H |
| H | X | Z |

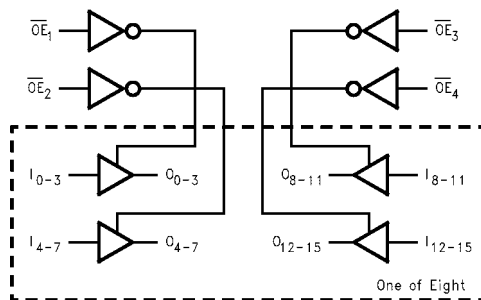
H = HIGH Voltage Level
 L = LOW Voltage Level
 X = Immaterial
 Z = High Impedance

Functional Description

The LCX16244 contains sixteen non-inverting buffers with 3-STATE standard outputs. The device is nibble (4 bits) controlled with each nibble functioning identically, but independent of the other. The control pins can be shorted together to obtain full 16-bit operation. The 3-STATE out-

puts are controlled by an Output Enable (\overline{OE}_n) input for each nibble. When \overline{OE}_n is LOW, the outputs are in 2-state mode. When \overline{OE}_n is HIGH, the outputs are in the high impedance mode, but this does not interfere with entering new data into the inputs.

Logic Diagram



| Absolute Maximum Ratings (Note 4) | | | | | | |
|---|--|---|--------------------------------------|--|-----------|---------------|
| Symbol | Parameter | Value | Conditions | Units | | |
| V_{CC} | Supply Voltage | -0.5 to +7.0 | | V | | |
| V_I | DC Input Voltage | -0.5 to +7.0 | | V | | |
| V_O | DC Output Voltage | -0.5 to +7.0 | Output in 3-STATE | V | | |
| | | -0.5 to $V_{CC} + 0.5$ | Output in HIGH or LOW State (Note 5) | | | |
| I_{IK} | DC Input Diode Current | -50 | $V_I < \text{GND}$ | mA | | |
| I_{OK} | DC Output Diode Current | -50 | $V_O < \text{GND}$ | mA | | |
| | | +50 | $V_O > V_{CC}$ | | | |
| I_O | DC Output Source/Sink Current | ± 50 | | mA | | |
| I_{CC} | DC Supply Current per Supply Pin | ± 100 | | mA | | |
| I_{GND} | DC Ground Current per Ground Pin | ± 100 | | mA | | |
| T_{STG} | Storage Temperature | -65 to +150 | | $^{\circ}\text{C}$ | | |
| Recommended Operating Conditions (Note 6) | | | | | | |
| Symbol | Parameter | Min | Max | Units | | |
| V_{CC} | Supply Voltage | Operating 2.0 | 3.6 | V | | |
| | | Data Retention 1.5 | 3.6 | | | |
| V_I | Input Voltage | 0 | 5.5 | V | | |
| V_O | Output Voltage | HIGH or LOW State 0 | V_{CC} | V | | |
| | | 3-STATE 0 | 5.5 | | | |
| I_{OH}/I_{OL} | Output Current | $V_{CC} = 3.0\text{V} - 3.6\text{V}$ | ± 24 | mA | | |
| | | $V_{CC} = 2.7\text{V} - 3.0\text{V}$ | ± 12 | | | |
| | | $V_{CC} = 2.3\text{V} - 2.7\text{V}$ | ± 8 | | | |
| T_A | Free-Air Operating Temperature | -40 | 85 | $^{\circ}\text{C}$ | | |
| $\Delta t/\Delta V$ | Input Edge Rate, $V_{IN} = 0.8\text{V} - 2.0\text{V}$, $V_{CC} = 3.0\text{V}$ | 0 | 10 | ns/V | | |
| <p>Note 4: The Absolute Maximum Ratings are those values beyond which the safety of the device cannot be guaranteed. The device should not be operated at these limits. The parametric values defined in the Electrical Characteristics tables are not guaranteed at the Absolute Maximum Ratings. The "Recommended Operating Conditions" table will define the conditions for actual device operation.</p> <p>Note 5: I_O Absolute Maximum Rating must be observed.</p> <p>Note 6: Unused inputs must be held HIGH or LOW. They may not float.</p> | | | | | | |
| DC Electrical Characteristics | | | | | | |
| Symbol | Parameter | Conditions | V_{CC} (V) | $T_A = -40^{\circ}\text{C}$ to $+85^{\circ}\text{C}$ | | Units |
| | | | | Min | Max | |
| V_{IH} | HIGH Level Input Voltage | | 2.3 - 2.7 | 1.7 | | V |
| | | | 2.7 - 3.6 | 2.0 | | |
| V_{IL} | LOW Level Input Voltage | | 2.3 - 2.7 | | 0.7 | V |
| | | | 2.7 - 3.6 | | 0.8 | |
| V_{OH} | HIGH Level Output Voltage | $I_{OH} = -100 \mu\text{A}$ | 2.3 - 3.6 | $V_{CC} - 0.2$ | | V |
| | | $I_{OH} = -8 \text{ mA}$ | 2.3 | 1.8 | | |
| | | $I_{OH} = -12 \text{ mA}$ | 2.7 | 2.2 | | |
| | | $I_{OH} = -18 \text{ mA}$ | 3.0 | 2.4 | | |
| | | $I_{OH} = -24 \text{ mA}$ | 3.0 | 2.2 | | |
| V_{OL} | LOW Level Output Voltage | $I_{OL} = 100 \mu\text{A}$ | 2.3 - 3.6 | | 0.2 | V |
| | | $I_{OL} = 8 \text{ mA}$ | 2.3 | | 0.6 | |
| | | $I_{OL} = 12 \text{ mA}$ | 2.7 | | 0.4 | |
| | | $I_{OL} = 16 \text{ mA}$ | 3.0 | | 0.4 | |
| | | $I_{OL} = 24 \text{ mA}$ | 3.0 | | 0.55 | |
| I_I | Input Leakage Current | $0 \leq V_I \leq 5.5\text{V}$ | 2.3 - 3.6 | | ± 5.0 | μA |
| I_{OZ} | 3-STATE Output Leakage | $0 \leq V_O \leq 5.5\text{V}$ $V_I = V_{IH}$ or V_{IL} | 2.3 - 3.6 | | ± 5.0 | μA |
| I_{OFF} | Power-Off Leakage Current | V_I or $V_O = 5.5\text{V}$ | 0 | | 10 | μA |

| DC Electrical Characteristics (Continued) | | | | | | | | |
|---|---|---|------------------------|---------------------------------|-----|------------------------------|-----|-------|
| Symbol | Parameter | Conditions | V _{CC} (V) | T _A = -40°C to +85°C | | Units | | |
| | | | | Min | Max | | | |
| I _{CC} | Quiescent Supply Current | V _I = V _{CC} or GND | 2.3 – 3.6 | | 20 | μA | | |
| | | 3.6V ≤ V _I , V _O ≤ 5.5V (Note 7) | 2.3 – 3.6 | | ±20 | | | |
| ΔI _{CC} | Increase in I _{CC} per Input | V _{IH} = V _{CC} - 0.6V | 2.3 – 3.6 | | 500 | μA | | |
| Note 7: Outputs disabled or 3-STATE only. | | | | | | | | |
| AC Electrical Characteristics | | | | | | | | |
| Symbol | Parameter | T _A = -40°C to +85°C, R _L = 500 Ω | | | | | | Units |
| | | V _{CC} = 3.3V ± 0.3V | | V _{CC} = 2.7V | | V _{CC} = 2.5 ± 0.2V | | |
| | | C _L = 50 pF | | C _L = 50 pF | | C _L = 30 pF | | |
| | | Min | Max | Min | Max | Min | Max | |
| t _{PHL} | Propagation Delay | 1.0 | 4.5 | 1.0 | 5.2 | 1.0 | 5.4 | ns |
| t _{PLH} | Data to Output | 1.0 | 4.5 | 1.0 | 5.2 | 1.0 | 5.4 | |
| t _{PZL} | Output Enable Time | 1.0 | 5.5 | 1.0 | 6.3 | 1.0 | 7.2 | ns |
| t _{PZH} | | 1.0 | 5.5 | 1.0 | 6.3 | 1.0 | 7.2 | |
| t _{PLZ} | Output Disable Time | 1.0 | 5.4 | 1.0 | 5.7 | 1.0 | 6.5 | ns |
| t _{PHZ} | | 1.0 | 5.4 | 1.0 | 5.7 | 1.0 | 6.5 | |
| t _{OSSL} | Output to Output Skew (Note 8) | | 1.0 | | | | | ns |
| t _{OSLH} | | | 1.0 | | | | | |
| Note 8: Skew is defined as the absolute value of the difference between the actual propagation delay for any two separate outputs of the same device. The specification applies to any outputs switching in the same direction, either HIGH-to-LOW (t _{OSSL}) or LOW-to-HIGH (t _{OSLH}). | | | | | | | | |
| Dynamic Switching Characteristics | | | | | | | | |
| Symbol | Parameter | Conditions | V _{CC} (V) | T _A = 25°C | | Unit | | |
| | | | | Typical | | | | |
| V _{OLP} | Quiet Output Dynamic Peak V _{OL} | C _L = 50 pF, V _{IH} = 3.3V, V _{IL} = 0V C _L = 30pF, V _{IH} = 2.5V, V _{IL} = 0V | 3.3 2.5 | 0.8 0.6 | | V | | |
| V _{OLV} | Quiet Output Dynamic Valley V _{OL} | C _L = 50 pF, V _{IH} = 3.3V, V _{IL} = 0V C _L = 30pF, V _{IH} = 2.5V, V _{IL} = 0V | 3.3 2.5 | -0.8 -0.6 | | | | |
| Capacitance | | | | | | | | |
| Symbol | Parameter | Conditions | Typical | Units | | | | |
| C _{IN} | Input Capacitance | V _{CC} = Open, V _I = 0V or V _{CC} | 7 | pF | | | | |
| C _{OUT} | Output Capacitance | V _{CC} = 3.3V, V _I = 0V or V _{CC} | 8 | pF | | | | |
| C _{PD} | Power Dissipation Capacitance | V _{CC} = 3.3V, V _I = 0V or V _{CC} , f = 10 MHz | 20 | pF | | | | |

AC LOADING and WAVEFORMS Generic for LCX Family

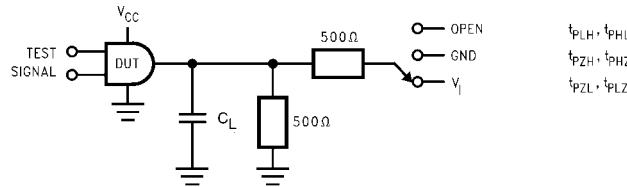
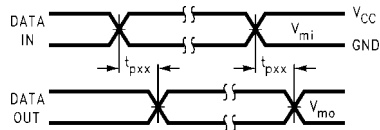
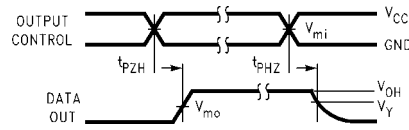


FIGURE 1. AC Test Circuit (C_L includes probe and jig capacitance)

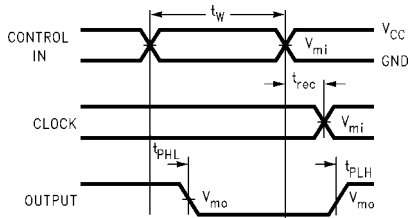
| Test | Switch |
|--------------------|---|
| t_{PLH}, t_{PHL} | Open |
| t_{PZL}, t_{PLZ} | 6V at $V_{CC} = 3.3 \pm 0.3V$ $V_{CC} \times 2$ at $V_{CC} = 2.5 \pm 0.2V$ |
| t_{PZH}, t_{PHZ} | GND |



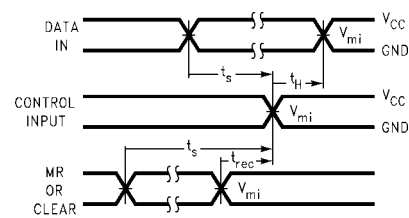
Waveform for Inverting and Non-Inverting Functions



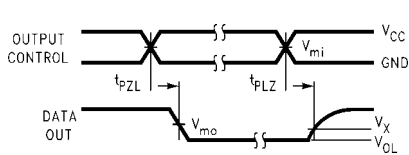
3-STATE Output High Enable and Disable Times for Logic



Propagation Delay, Pulse Width and t_{rec} Waveforms



Setup Time, Hold Time and Recovery Time for Logic



3-STATE Output Low Enable and Disable Times for Logic

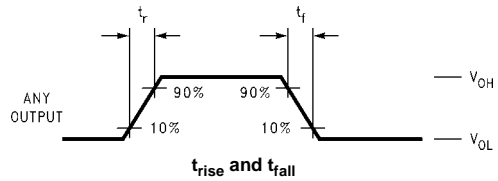
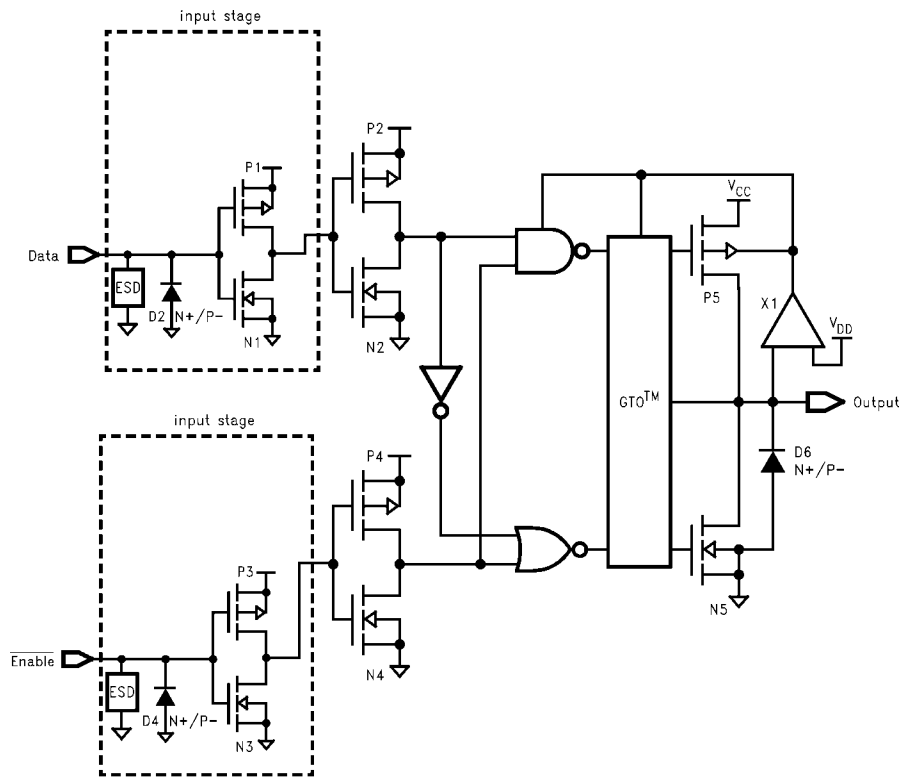


FIGURE 2. Waveforms
(Input Characteristics; $f = 1MHz, t_R = t_F = 3ns$)

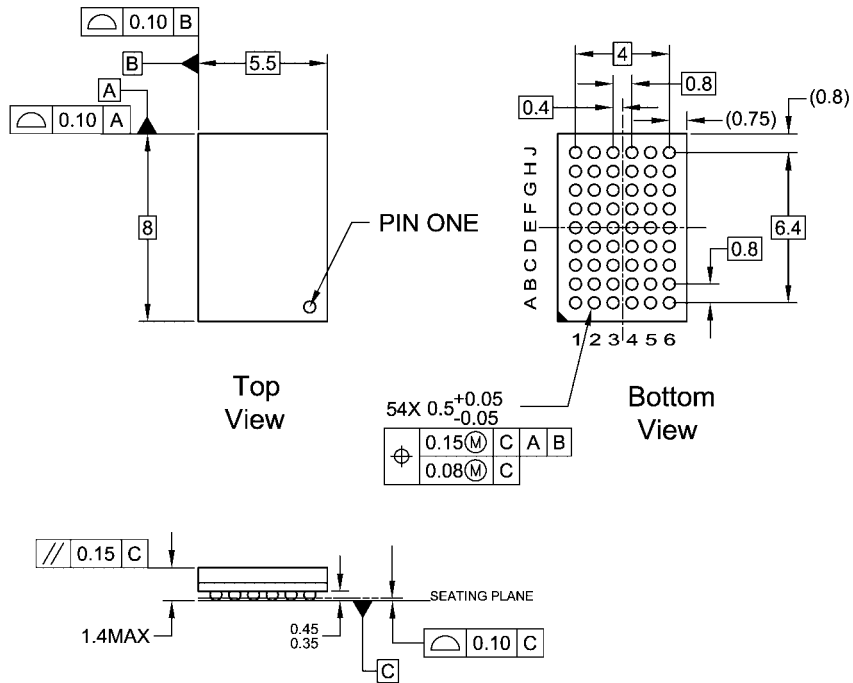
| Symbol | V_{CC} | | |
|----------|-----------------|-----------------|------------------|
| | $3.3V \pm 0.3V$ | $2.7V$ | $2.5V \pm 0.2V$ |
| V_{mi} | 1.5V | 1.5V | $V_{CC}/2$ |
| V_{mo} | 1.5V | 1.5V | $V_{CC}/2$ |
| V_x | $V_{OL} + 0.3V$ | $V_{OL} + 0.3V$ | $V_{OL} + 0.15V$ |
| V_y | $V_{OH} - 0.3V$ | $V_{OH} - 0.3V$ | $V_{OH} - 0.15V$ |

Schematic Diagram Generic for LCX Family



74LCX16244

Physical Dimensions inches (millimeters) unless otherwise noted



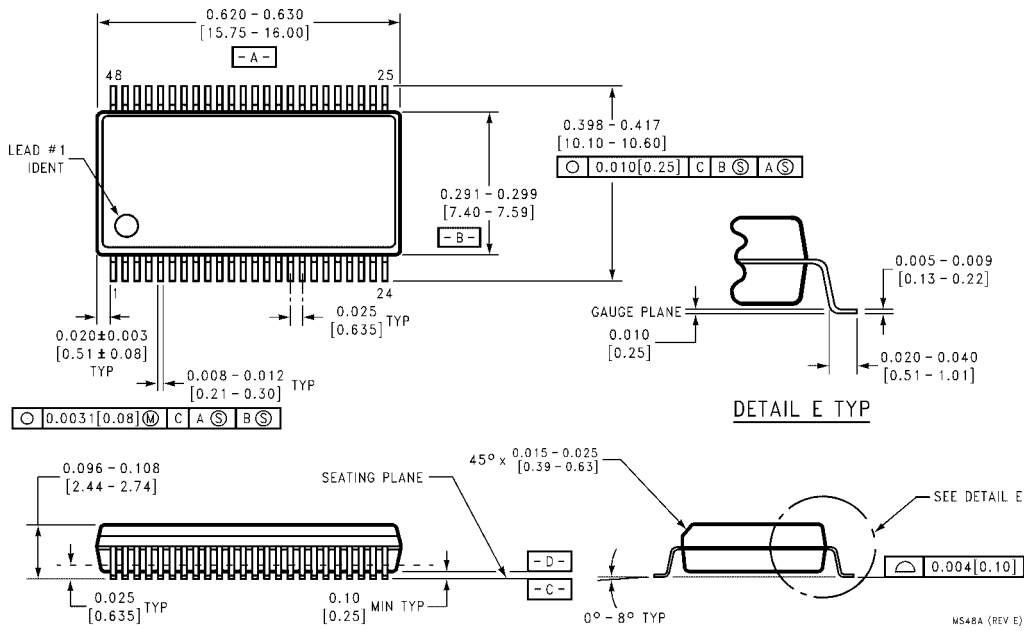
NOTES:

- A. THIS PACKAGE CONFORMS TO JEDEC M0-205
- B. ALL DIMENSIONS IN MILLIMETERS
- C. LAND PATTERN RECOMMENDATION: NSMD (Non Solder Mask Defined)
.35MM DIA PADS WITH A SOLDERMASK OPENING OF .45MM CONCENTRIC TO PADS
- D. DRAWING CONFORMS TO ASME Y14.5M-1994

BGA54ArevD

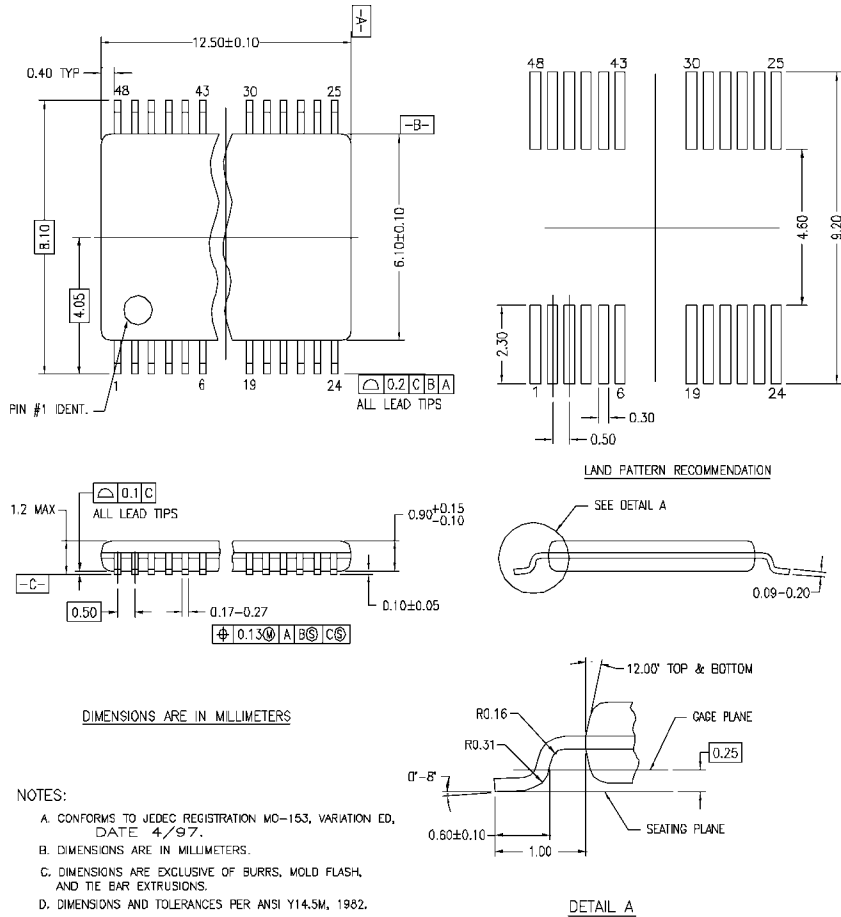
**54-Ball Fine-Pitch Ball Grid Array (FBGA), JEDEC MO-205, 5.5mm Wide
Package Number BGA54A**

Physical Dimensions inches (millimeters) unless otherwise noted (Continued)



**48-Lead Small Shrink Outline Package (SSOP), JEDEC MO-118, 0.300" Wide
Package Number MS48A**

Physical Dimensions inches (millimeters) unless otherwise noted (Continued)



MTD48REV C

**48-Lead Thin Shrink Small Outline Package (TSSOP), JEDEC MO-153, 6.1mm Wide
Package Number MTD48**

Fairchild does not assume any responsibility for use of any circuitry described, no circuit patent licenses are implied and Fairchild reserves the right at any time without notice to change said circuitry and specifications.

LIFE SUPPORT POLICY

FAIRCHILD'S PRODUCTS ARE NOT AUTHORIZED FOR USE AS CRITICAL COMPONENTS IN LIFE SUPPORT DEVICES OR SYSTEMS WITHOUT THE EXPRESS WRITTEN APPROVAL OF THE PRESIDENT OF FAIRCHILD SEMICONDUCTOR CORPORATION. As used herein:

1. Life support devices or systems are devices or systems which, (a) are intended for surgical implant into the body, or (b) support or sustain life, and (c) whose failure to perform when properly used in accordance with instructions for use provided in the labeling, can be reasonably expected to result in a significant injury to the user.
2. A critical component in any component of a life support device or system whose failure to perform can be reasonably expected to cause the failure of the life support device or system, or to affect its safety or effectiveness.

www.fairchildsemi.com

Copyright © Each Manufacturing Company.

All Datasheets cannot be modified without permission.

This datasheet has been download from :

www.AllDataSheet.com

100% Free DataSheet Search Site.

Free Download.

No Register.

Fast Search System.

www.AllDataSheet.com