



# Low-Voltage SIM/Smart Card Level Translators in $\mu$ MAX

MAX1840/MAX1841

## General Description

The MAX1840/MAX1841 subscriber identity module (SIM)/smart card level translators provide level shifting and electrostatic discharge (ESD) protection for SIM and smart card ports. These devices integrate two unidirectional level shifters for the reset and clock signals, a bidirectional level shifter for the serial data stream, and  $\pm 10\text{kV}$  ESD protection on all card contacts.

The MAX1840 includes a  $\overline{\text{SHDN}}$  control input to aid insertion and removal of SIM and smart cards, while the MAX1841 includes a system-side data driver to support system controllers without open-drain outputs. The logic supply voltage range is +1.4V to +5.5V for the "controller side" and +1.7V to +5.5V for the "card side." Total supply current is 1.0 $\mu\text{A}$ . Both devices automatically shut down when either power supply is removed.

For a complete SIM card interface, combine the MAX1840/MAX1841 with the MAX1686H 0V/3V/5V regulated charge pump.

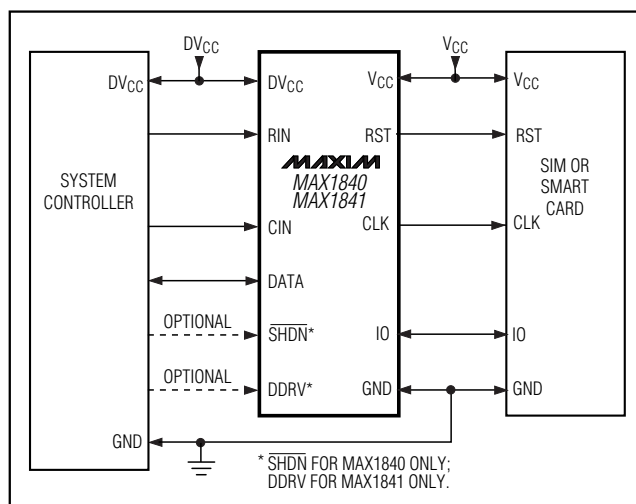
The MAX1840/MAX1841 are available in ultra-small 10-pin  $\mu$ MAX packages that are only 1.09mm high and half the area of an 8-pin SO.

The MAX1840/MAX1841 are compliant with GSM test specifications 11.11 and 11.12.

## Applications

- SIM Interface in GSM Cellular Telephones
- Smart Card Readers
- Logic Level Translation
- SPI™/QSPI™/MICROWIRE™ Level Translation

## Typical Operating Circuit



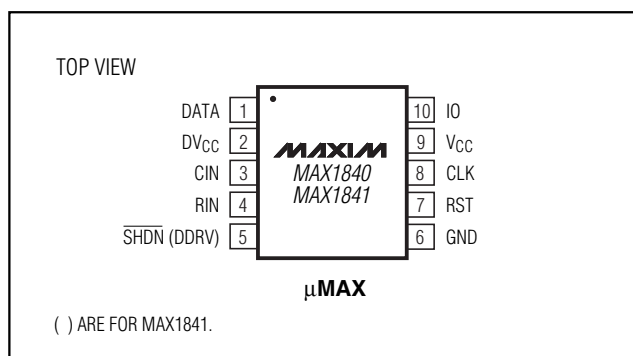
## Features

- ◆ SIM/Smart Card Level Shifting
- ◆ +1.4V to +5.5V Controller Voltage Range
- ◆ +1.7V to +5.5V Card Voltage Range
- ◆  $\pm 10\text{kV}$  ESD Card Socket Protection
- ◆ Allows Level Translation with  $DV_{CC} \geq V_{CC}$  or  $DV_{CC} \leq V_{CC}$
- ◆ Automatically Shuts Down When Either Supply Is Removed
- ◆ Card Contacts Actively Pulled Low During Shutdown
- ◆ 1 $\mu\text{A}$  Total Quiescent Supply Current
- ◆ 0.01 $\mu\text{A}$  Total Shutdown Supply Current
- ◆ Ultra-Small 10-Pin  $\mu$ MAX Package
- ◆ Compliant with GSM Test Specifications 11.11 and 11.12

## Ordering Information

PART	TEMP. RANGE	PIN-PACKAGE
MAX1840EUB	-40°C to +85°C	10 $\mu$ MAX
MAX1841EUB	-40°C to +85°C	10 $\mu$ MAX

## Pin Configuration



SPI and QSPI are trademarks of Motorola, Inc.  
MICROWIRE is a trademark of National Semiconductor Corp.



# Low-Voltage SIM/Smart Card Level Translators in $\mu$ MAX

## ABSOLUTE MAXIMUM RATINGS

DV <sub>CC</sub> , V <sub>CC</sub> to GND.....	-0.3V to +6.0V	Operating Temperature Range .....	-40°C to +85°C
RIN, CIN, DATA, DDRV, SHDN to GND .....	-0.3V to (DV <sub>CC</sub> + 0.3V)	Storage Temperature Range .....	-65°C to +150°C
RST, CLK, IO to GND .....	-0.3V to (V <sub>CC</sub> + 0.3V)	Junction Temperature .....	+150°C
Continuous Power Dissipation (T <sub>A</sub> = +70°C)		Lead Temperature (soldering, 10s) .....	+300°C
10-Pin $\mu$ MAX (derate 5.6mW/°C above +70°C) .....	444mW		

Stresses beyond those listed under "Absolute Maximum Ratings" may cause permanent damage to the device. These are stress ratings only, and functional operation of the device at these or any other conditions beyond those indicated in the operational sections of the specifications is not implied. Exposure to absolute maximum rating conditions for extended periods may affect device reliability.

## ELECTRICAL CHARACTERISTICS

(Figure 1, DV<sub>CC</sub> = +1.8V; V<sub>CC</sub> = +1.8V, +3.0V, or +5.0V; SHDN = DV<sub>CC</sub>, CIN = RIN = GND or DV<sub>CC</sub>, IO = V<sub>CC</sub>, DATA = DDRV = DV<sub>CC</sub>, CIO = CCLK = CRST = C<sub>DATA</sub> = 30pF, T<sub>A</sub> = -40°C to +85°C, unless otherwise noted. Typical values are at T<sub>A</sub> = +25°C.) (Note1)

PARAMETER	SYMBOL	CONDITIONS	MIN	TYP	MAX	UNITS
<b>POWER SUPPLIES</b>						
DV <sub>CC</sub> Operating Range	DV <sub>CC</sub>		1.4		5.5	V
V <sub>CC</sub> Operating Range	V <sub>CC</sub>		1.7		5.5	V
DV <sub>CC</sub> Operating Current	IDVCC	CIN static		0.1	0.5	$\mu$ A
		CIN clocked at 1.625MHz from GND to DV <sub>CC</sub> with 50% duty cycle		2.5		
		CIN clocked at 3.25MHz from GND to DV <sub>CC</sub> with 50% duty cycle		5		
V <sub>CC</sub> Operating Current	IVCC	CIN static		0.9	3.0	$\mu$ A
		CIN clocked at 1.625MHz from GND to DV <sub>CC</sub> with 50% duty cycle		0.4		mA
		CIN clocked at 3.25MHz from GND to DV <sub>CC</sub> with 50% duty cycle		0.8		
Total Shutdown Current	ISHDN	I <sub>OFF</sub> = IVCC + IDVCC, SHDN = GND (MAX1840 only), or DV <sub>CC</sub> = GND or V <sub>CC</sub> = GND		0.01	1	$\mu$ A
<b>CIN, RIN, SHDN, DDRV LOGIC INPUTS</b>						
Digital Input Low Threshold	V <sub>IL</sub>		0.2 × DV <sub>CC</sub>			V
Digital Input High Threshold	V <sub>IH</sub>		0.7 × DV <sub>CC</sub>			V
Input Leakage Current			0.01	1		$\mu$ A
<b>CLK, RST OUTPUTS</b>						
Digital Output Low Level	V <sub>OL</sub>	I <sub>SINK</sub> = 200 $\mu$ A		0.4		V
Digital Output High Level	V <sub>OH</sub>	I <sub>SOURCE</sub> = 20 $\mu$ A	0.9 × V <sub>CC</sub>			V
		I <sub>SOURCE</sub> = 200 $\mu$ A	0.8 × V <sub>CC</sub>			
<b>DATA INPUT/OUTPUT</b>						
DATA Pullup Resistance	R <sub>DATA</sub>	Between DATA and DV <sub>CC</sub>	13	20	28	k $\Omega$
Input Low Threshold	V <sub>IL</sub> (DATA)	(Note 2)	0.3			V
Input High Threshold	V <sub>IH</sub> (DATA)	(Note 3)		DV <sub>CC</sub> - 0.6		V
Input Low Current	I <sub>IL</sub>	V <sub>CC</sub> = 5.0V		1		mA
Input High Current	I <sub>IH</sub>			2		$\mu$ A

# Low-Voltage SIM/Smart Card Level Translators in $\mu$ MAX

MAX1840/MAX1841

## ELECTRICAL CHARACTERISTICS (continued)

(Figure 1,  $DV_{CC} = +1.8V$ ;  $V_{CC} = +1.8V, +3.0V, \text{ or } +5.0V$ ;  $\overline{SHDN} = DV_{CC}$ ,  $CIN = RIN = GND \text{ or } DV_{CC}$ ,  $IO = V_{CC}$ ,  $DATA = DDRV = DV_{CC}$ ,  $CIO = CCLK = CRST = CDATA = 30pF$ ,  $T_A = -40^{\circ}C \text{ to } +85^{\circ}C$ , unless otherwise noted. Typical values are at  $T_A = +25^{\circ}C$ .) (Note1)

PARAMETER	SYMBOL	CONDITIONS	MIN	TYP	MAX	UNITS
Output Low Level	$V_{OL(DATA)}$	$IO = GND, I_{SINK} = 100\mu A$			0.4	V
		$DV_{CC} = 3.0V, IO = GND, I_{SINK} = 200\mu A$			0.4	
Output High Level	$V_{OH(DATA)}$	$I_{SOURCE} = 10\mu A$	$0.7 \times DV_{CC}$			V
		$DV_{CC} = 3.0V, I_{SOURCE} = 20\mu A$	$0.7 \times DV_{CC}$			
<b>IO (INPUT/OUTPUT)</b>						
IO Pullup Resistance	$R_{IO}$	Between IO and $V_{CC}$	6.5	10	14	$k\Omega$
Input Low Threshold	$V_{IL(IO)}$	$I_{IL(MAX)} = 1mA$ (Note 2)	0.3			V
Input High Threshold	$V_{IH(IO)}$	$I_{IH(MAX)} = \pm 20\mu A$ (Note 3)		$0.7 \times V_{CC}$		V
Input Low Current	$I_{IL}$				1	mA
Input High Current	$I_{IH}$				20	$\mu A$
Output Low Level	$V_{OL(IO)}$	$DATA = GND \text{ or } DDRV = GND,$ $I_{SINK} = 200\mu A$			0.4	V
Output High Level	$V_{OH(IO)}$	$I_{SOURCE} = 20\mu A$	$0.8 \times V_{CC}$			V
<b>SHUTDOWN OUTPUT LEVELS</b>						
Shutdown Output Levels (IO, CLK, RST)		$I_{SINK} = 200\mu A, \overline{SHDN} = GND, DATA = CIN =$ $RIN = DV_{CC}$ (MAX1840 only)			0.4	V
		$I_{SINK} = 200\mu A, DV_{CC} = GND, \overline{SHDN}$ (MAX1840) = $DDRV$ (MAX1841) = $DATA =$ $CIN = RIN = DV_{CC}$			0.4	V
		$I_{SINK} = 200\mu A, V_{CC} = GND, \overline{SHDN}$ (MAX1840) = $DDRV$ (MAX1841) = $DATA =$ $CIN = RIN = DV_{CC}$			0.4	V
<b>TIMING</b>						
Maximum CLK Frequency (Notes 4, 5)	$f_{CLK}$	$V_{CC} = 2.7V \text{ to } 5.5V, DV_{CC} = 1.4V \text{ to } 2.7V$	5	20		MHz
		$V_{CC} = 1.7V \text{ to } 3.6V, DV_{CC} = 1.4V \text{ to } 2.25V$	5	15		

**Note 1:** Specifications to  $-40^{\circ}C$  are guaranteed by design, not production tested.

**Note 2:**  $V_{IL}$  is defined as the voltage at which the output (DATA/IO) voltage equals 0.5V.

**Note 3:**  $V_{IH}$  is defined as the voltage at which the output (DATA/IO) voltage exceeds the input (IO/DATA) voltage by 100mV.

**Note 4:** Timing specifications are guaranteed by design, not production tested.

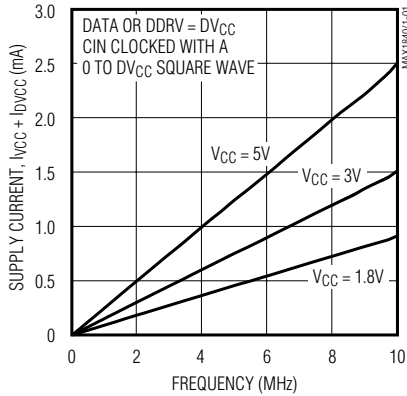
**Note 5:** The maximum CLK frequency is defined as the output duty cycle remaining in the 40% to 60% range when the 50% CIN is applied. CIN has 5ns rise and fall times; levels are GND to  $DV_{CC}$ . Input and output levels are measured at 50% of the waveform.

# Low-Voltage SIM/Smart Card Level Translators in $\mu$ MAX

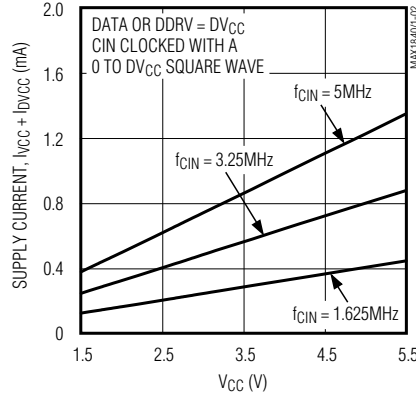
## Typical Operating Characteristics

(Circuit of Figure 1,  $DV_{CC} = 3.0V$ ,  $V_{CC} = +5.0V$ ,  $DDR\bar{V}$  or  $DATA = DV_{CC}$ ,  $RIN = CIN = GND$ ,  $T_A = +25^\circ C$ , unless otherwise noted.)

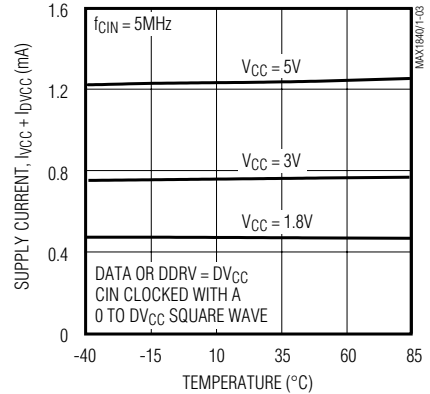
**TOTAL OPERATING SUPPLY CURRENT vs. CLOCK FREQUENCY (DATA STATIC)**



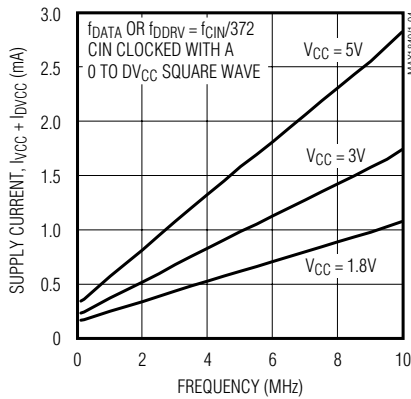
**TOTAL OPERATING SUPPLY CURRENT vs. CARD-SIDE SUPPLY VOLTAGE (DATA STATIC)**



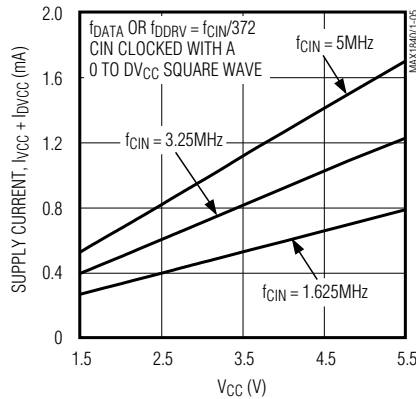
**TOTAL OPERATING SUPPLY CURRENT vs. TEMPERATURE (DATA STATIC)**



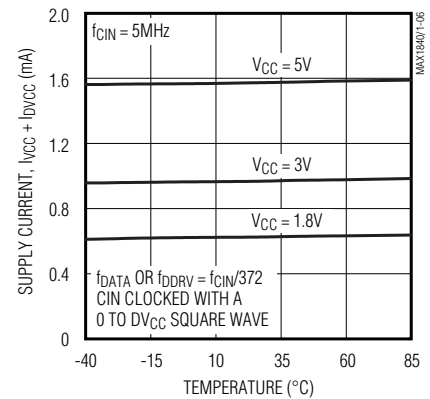
**TOTAL OPERATING SUPPLY CURRENT vs. CLOCK FREQUENCY (DATA ACTIVE)**



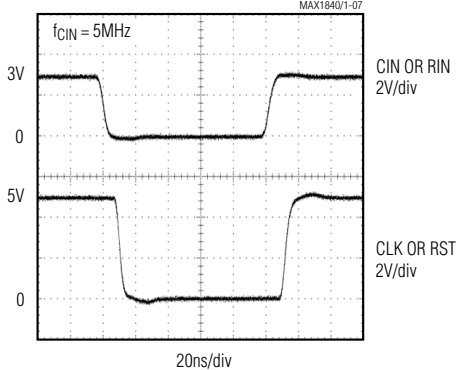
**TOTAL OPERATING SUPPLY CURRENT vs. CARD-SIDE SUPPLY VOLTAGE (DATA ACTIVE)**



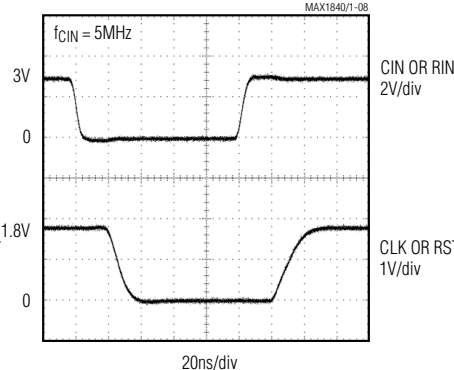
**TOTAL OPERATING SUPPLY CURRENT vs. TEMPERATURE (DATA ACTIVE)**



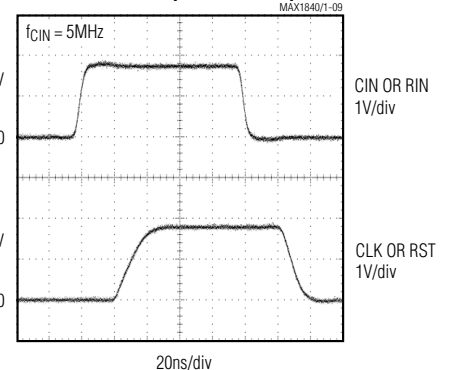
**CIN TO CLK OR RIN TO RST WAVEFORM (3V TO 5V)**



**CIN TO CLK OR RIN TO RST WAVEFORM (3V TO 1.8V)**



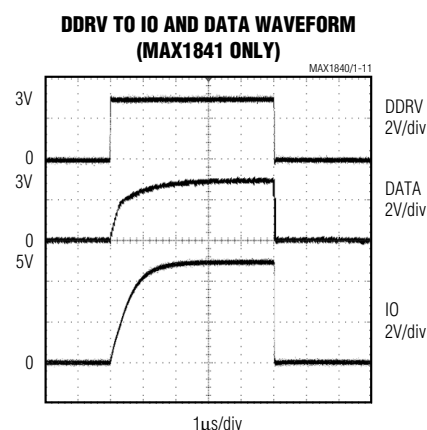
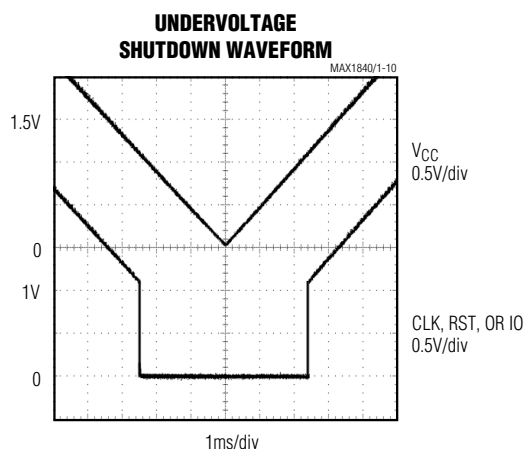
**CIN TO CLK OR RIN TO RST WAVEFORM (1.8V TO 1.8V)**



# Low-Voltage SIM/Smart Card Level Translators in $\mu$ MAX

## Typical Operating Characteristics (continued)

(Circuit of Figure 1,  $DV_{CC} = 3.0V$ ,  $V_{CC} = +5.0V$ ,  $DDRV$  or  $DATA = DV_{CC}$ ,  $RIN = CIN = GND$ ,  $T_A = +25^{\circ}C$ , unless otherwise noted.)



MAX1840/MAX1841

## Pin Description

PIN		NAME	FUNCTION
MAX1840	MAX1841		
1	1	DATA	System Controller Data Input/Output. An open-drain IO with a 20k $\Omega$ pull-up resistor to $DV_{CC}$ . For bidirectional data transfer, connect to an open-drain controller output capable of sinking 1mA while pulling DATA low. If the controller is not open-drain, use $DDRV$ to send data and DATA to receive data.
2	2	$DV_{CC}$	Supply Voltage for System Controller Digital Pins. Set at +1.4V to +5.5V.
3	3	CIN	System Controller Clock Input
4	4	RIN	System Controller Reset Input
—	5	$DDRV$	Optional System Controller Data Input. Connect to controllers without an open-drain output. When not used, connect $DDRV$ to $DV_{CC}$ .
5	—	$\overline{SHDN}$	Shutdown Mode Input. Driving $\overline{SHDN}$ low reduces the total supply current to less than 1 $\mu$ A. In shutdown mode, RST, CLK, and IO are actively pulled low and the transfer gate between DATA and IO is disabled. When not used, connect $\overline{SHDN}$ to $DV_{CC}$ .
6	6	GND	System Controller and Card Ground
7	7	RST	Reset Output to Card. Actively pulled low during shutdown.
8	8	CLK	Clock Output to Card. Actively pulled low during shutdown.
9	9	$V_{CC}$	Supply Voltage for Card-Side Digital Pins. Set at +1.7V to +5.5V. Proper supply bypassing is required to meet $\pm 10kV$ ESD specifications.
10	10	IO	Card-Side Bidirectional Input/Output. An open-drain output with a 10k $\Omega$ pull-up resistor to $V_{CC}$ . For bidirectional data transfer, connect to an open-drain card output capable of sinking 1mA while pulling IO low. Actively pulled low during shutdown.

# Low-Voltage SIM/Smart Card Level Translators in $\mu$ MAX

## Detailed Description

The MAX1840/MAX1841 provide the necessary level translation for interfacing with SIMs and smart cards in multivoltage systems. These devices operate with logic supply voltages between +1.4V and +5.5V on the controller side ( $DV_{CC}$ ) and between +1.7V and +5.5V on the card side ( $V_{CC}$ ). The total supply current ( $I_{DV_{CC}} + I_{V_{CC}}$ ) is  $1\mu\text{A}$  while operating in an idle state (see *Electrical Characteristics*). Figure 1 shows the MAX1840/MAX1841 test circuit. The *Typical Application Circuit* appears at the end of this data sheet.

### Level Translation

The MAX1840/MAX1841 provide level translators for a clock input, a reset input, and a bidirectional data IO. The clock and reset inputs (CIN and RIN) are level shifted from the controller-side supply rails ( $DV_{CC}$  to GND) to the card-side supply rails ( $V_{CC}$  to GND). When connected to an open-drain controller output, DATA and IO provide bidirectional level translation. All level translation is valid for  $DV_{CC} \geq V_{CC}$  or  $DV_{CC} \leq V_{CC}$ . The MAX1840/MAX1841 contain internal pull up resistors from DATA to the controller-side supply ( $DV_{CC}$ ) and from IO to the card-side supply ( $V_{CC}$ ). For push-pull controller outputs, see the *Data Driver* section for bidirectional data translation.

### Data Driver (MAX1841 Only)

When using a microcontroller ( $\mu\text{C}$ ) without an open-drain output, use the data driver (DDRV) input to send data to the SIM/smart card, while DATA provides the controller-side output for bidirectional data transfer. When not used, connect DDRV to  $DV_{CC}$  to reduce total supply current.

### Shutdown Mode

For the MAX1840, drive  $\overline{\text{SHDN}}$  low to activate shutdown. Connect  $\overline{\text{SHDN}}$  to  $DV_{CC}$  or drive high for normal operation. To allow for card insertion and removal, shutdown mode actively pulls CLK, RST, and IO low; it also disconnects the internal  $10\text{k}\Omega$  pull up resistor from  $V_{CC}$  to prevent excessive current draw. Shutdown mode reduces the total supply current ( $I_{DV_{CC}} + I_{V_{CC}}$ ) to  $0.01\mu\text{A}$ .

### SIM/Smart Card Insertion/Removal

The SIM/smart card specifications require that the card-side pins ( $V_{CC}$ , CLK, RST, IO) be at ground potential prior to inserting the SIM/smart card. For applications using the MAX1686H (Figure 3), the easiest way to achieve this is by shutting down the MAX1686H or by

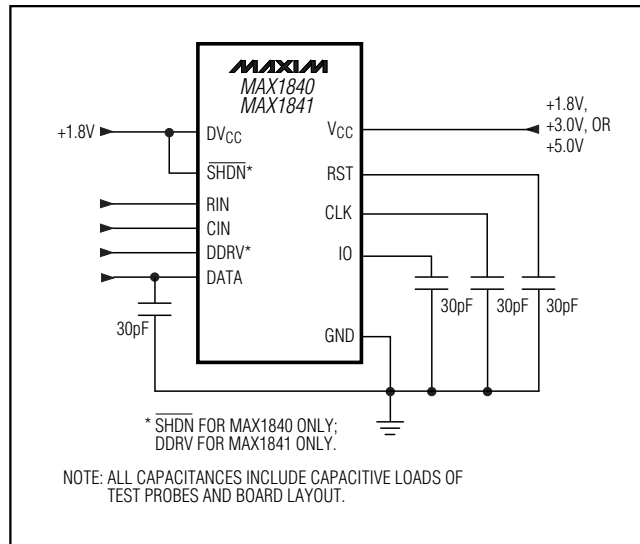


Figure 1. MAX1840/MAX1841 Test Circuit

driving  $\overline{\text{SHDN}}$  (MAX1840 only) low. If specific sequencing is desired, pull IO low by driving either DATA or DDRV (MAX1841 only) low, and pull CLK and RST low by driving CIN and RIN low, respectively.

### ESD Protection

As with all Maxim devices, ESD-protection structures on all pins protect against ESDs encountered during handling and assembly. For further protection during card insertion and removal, the pins that connect to the card socket (CLK, RST, IO,  $V_{CC}$ , and GND) provide protection against  $\pm 10\text{kV}$  of ESD. The ESD structures withstand high ESD in all states: normal operation, shutdown, and power-down. After an ESD event, the MAX1840/MAX1841 continue working without latchup. A  $1\mu\text{F}$  bypass capacitor from  $V_{CC}$  to GND is required to exceed  $\pm 10\text{kV}$  ESD specifications.

### ESD Test Conditions

ESD performance depends on a variety of conditions. Contact Maxim for a reliability report documenting test setup, test methodology, and test results.

## Applications Information

### SIM/Smart Card Interface

To provide 5V when interfacing with a 5V SIM/smart card, +3V systems require a DC-DC converter. The MAX1686H +5V regulating charge pump for SIM cards provides

# Low-Voltage SIM/Smart Card Level Translators in $\mu$ MAX

MAX1840/MAX1841

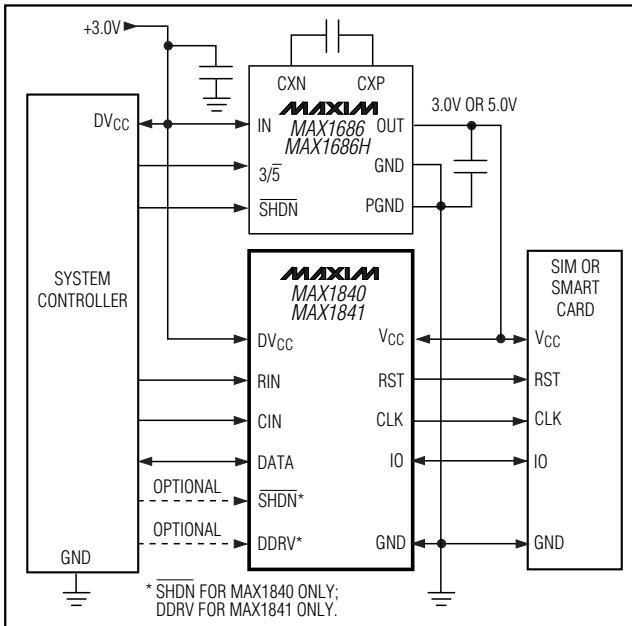


Figure 2. Using MAX1840/MAX1841 and MAX1686/MAX1686H Charge Pump for SIM Card Applications

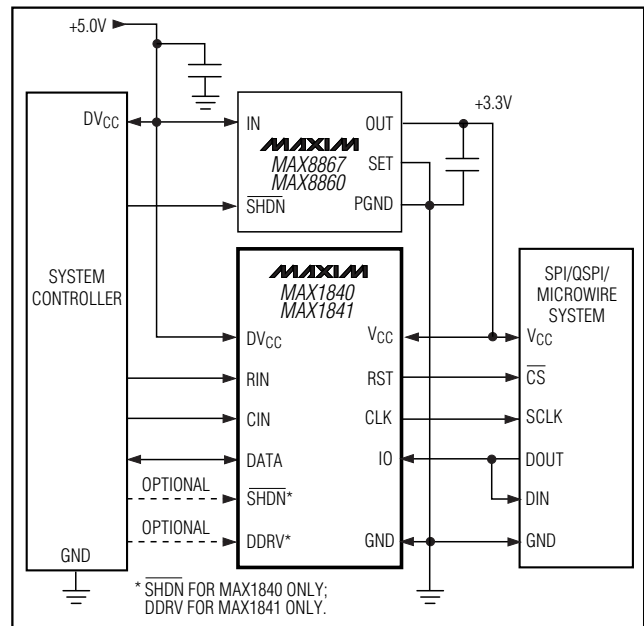


Figure 3. MAX1840/MAX1841 with SPI/QSPI/MICROWIRE Interfaces

0V/3V/5V for full compatibility with SIM/smart-card specifications. Figure 2 shows the charge pump for SIM card applications. Alternatively, the MAX619 generates a regulated 5V from input voltages as low as 2V.

## SPI/QSPI/MICROWIRE Interface

The MAX1840/MAX1841 are also useful as 3V/5V level shifters in SPI, QSPI, and MICROWIRE applications (Figure 3). On the slave side, connect CLK to SCLK, RST to  $\overline{CS}$ , and IO to DOUT and DIN. The unidirectional

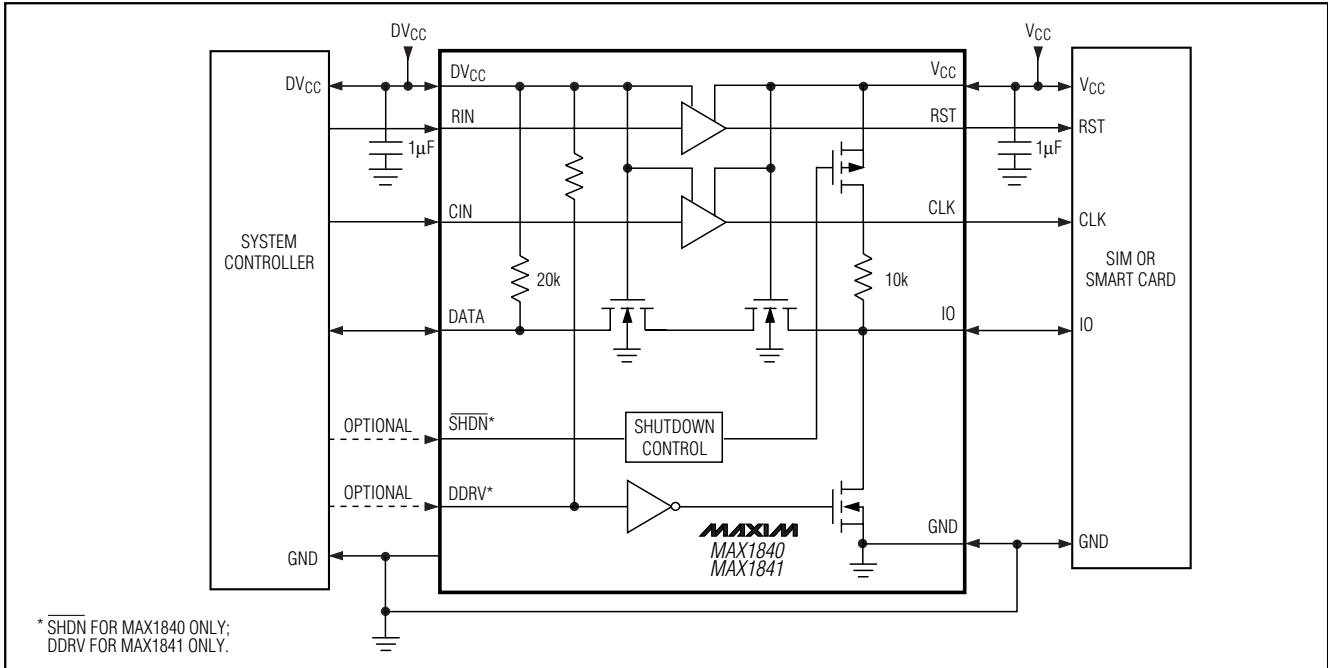
level shifters transfer chip select and clock signals to the slave device(s), while the bidirectional level shifter transfers data.

## Chip Information

TRANSISTOR COUNT: 211

# Low-Voltage SIM/Smart Card Level Translators in $\mu$ MAX

## Typical Application Circuit



## Packaging Information

DIM	INCHES		MILLIMETERS	
	MIN	MAX	MIN	MAX
A	0.037	0.043	0.94	1.10
A1	0.002	0.006	0.05	0.15
A2	0.030	0.037	0.75	0.95
D1	0.116	0.120	2.95	3.05
D2	0.114	0.118	2.89	3.00
E1	0.116	0.120	2.95	3.05
E2	0.114	0.118	2.89	3.00
E	0.187	0.199	4.75	5.05
L	0.0157	0.0275	0.40	0.70
L1	0.037	REF	0.940	REF
b	0.007	0.0106	0.177	0.270
e	0.0197	BSC	500	BSC
c	0.0035	0.0078	0.090	0.200
S	0.0196	REF	498	REF
$\alpha$	0°	6°	0°	6°
*X	0.087	0.099	2.210	2.515
*Y	0.062	0.074	1.575	1.880

\* EXPOSED PAD (Note 4)

**NOTES:**  
 1. D&E DO NOT INCLUDE MOLD FLASH.  
 2. MOLD FLASH OR PROTRUSIONS NOT TO EXCEED .15 MM (.006").  
 3. CONTROLLING DIMENSION: MILLIMETERS.  
 4. DIMENSIONS X & Y APPLY TO EXPOSED PAD (EP) VERSIONS ONLY. SEE INDIVIDUAL PRODUCT DATASHEET TO DETERMINE IF A PRODUCT USES EXPOSED PAD PACKAGE.  
 5. EXPOSED PAD FLUSH WITH BOTTOM OF PACKAGE WITHIN .002".

**MAXIM**  
 PROPRIETARY INFORMATION  
 TITLE: PACKAGE OUTLINE, 10L  $\mu$ MAX WITH EP OPTION  
 APPROVAL: [Signature] REG. CONTROL NO: 21-0061 REV: F 1/1

**Note:** The MAX1840/MAX1841 do not have an exposed pad.

Maxim cannot assume responsibility for use of any circuitry other than circuitry entirely embodied in a Maxim product. No circuit patent licenses are implied. Maxim reserves the right to change the circuitry and specifications without notice at any time.

8 **Maxim Integrated Products, 120 San Gabriel Drive, Sunnyvale, CA 94086 408-737-7600**



Copyright © Each Manufacturing Company.

All Datasheets cannot be modified without permission.

This datasheet has been download from :

[www.AllDataSheet.com](http://www.AllDataSheet.com)

100% Free DataSheet Search Site.

Free Download.

No Register.

Fast Search System.

[www.AllDataSheet.com](http://www.AllDataSheet.com)