



Dual, Audio, Log Taper Digital Potentiometers

General Description

The MAX5408–MAX5411 dual, logarithmic taper digital potentiometers, with 32-tap points each, replace mechanical potentiometers in audio applications requiring digitally controlled resistors. The MAX5408/MAX5410 are dual potentiometers with one wiper per potentiometer. The MAX5409/MAX5411 are dual potentiometers with two wipers per potentiometer (see *Functional Diagram*). An SPI™-compatible serial interface controls the wiper positions. The MAX5408–MAX5411 have a factory-set resistance of 10kΩ per potentiometer. A zero-crossing detect feature minimizes the audible noise generated by wiper transitions. The MAX5408–MAX5411 have nominal temperature coefficients of 35ppm/°C end-to-end and 5ppm/°C ratiometric. The MAX5408–MAX5411 are available in 16-pin QSOP and 16-pin thin QFN packages and are specified over the extended temperature range (-40°C to +85°C).

Applications

- Stereo Volume Control
- Fading and Balancing Stereo Signals
- Mechanical Potentiometer Replacement

Functional Diagram appears at end of data sheet.
 SPI is a trademark of Motorola, Inc.

Features

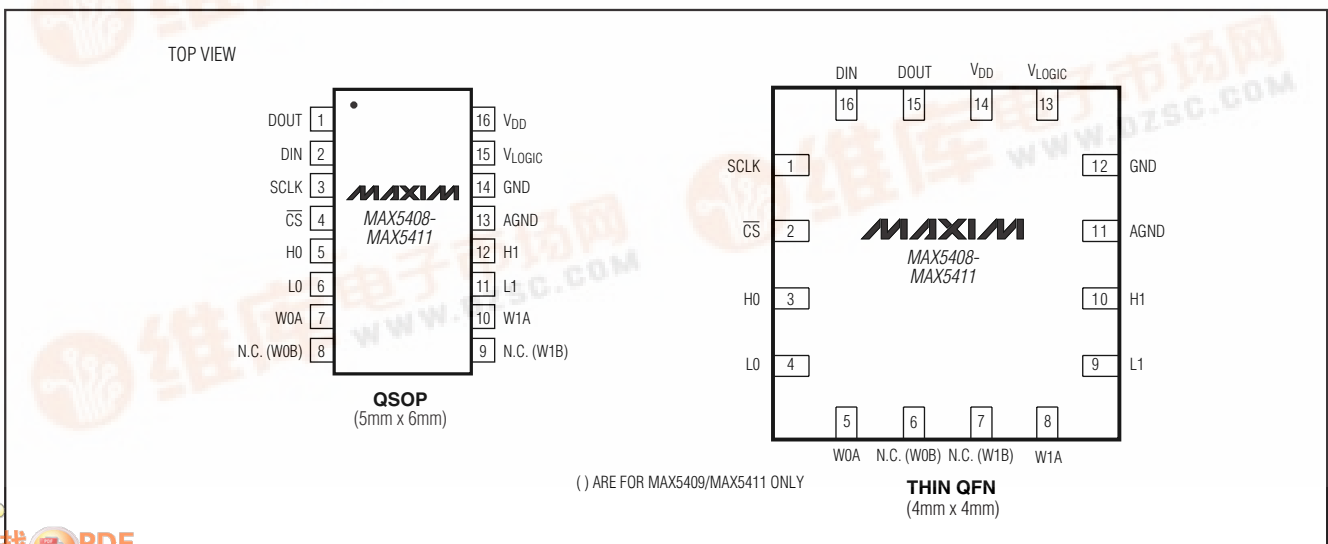
- ◆ Log Taper with 2dB Steps Between Taps
- ◆ 32-Tap Positions for Each Wiper
- ◆ Small 16-Pin QSOP/QFN Packages
- ◆ Single-Supply Voltage Operation
 - +2.7V to +3.6V (MAX5408/MAX5409)
 - +4.5V to +5.5V (MAX5410/MAX5411)
- ◆ Low 0.5μA Standby Supply Current
- ◆ Zero-Crossing Detection for Clickless Switching
- ◆ Mute Function to -90dB
- ◆ 10kΩ Fixed Resistance Value
- ◆ 3-Wire SPI-Compatible Serial Data Interface
- ◆ Power-On Reset: Wiper Goes to Maximum Attenuation
- ◆ Digital Output for Readback and Daisy-Chaining Capabilities

Ordering Information

| PART | TEMP RANGE | PIN-PACKAGE | WIPERS PER RESISTOR |
|------------|----------------|-------------|---------------------|
| MAX5408EEE | -40°C to +85°C | 16 QSOP | 1 |
| MAX5408ETE | -40°C to +85°C | 16 Thin QFN | 1 |
| MAX5409EEE | -40°C to +85°C | 16 QSOP | 2 |

Ordering Information continued at end of data sheet.

Pin Configurations



MAX5408-MAX5411

Dual, Audio, Log Taper Digital Potentiometers

ABSOLUTE MAXIMUM RATINGS

V_{DD} , V_{LOGIC} , \overline{CS} , SCLK, DIN to GND -0.3V to +6V
 H_{-} , L_{-} , and W_{-} to GND -0.3V to ($V_{DD} + 0.3V$)
 DOOUT to GND -0.3V to ($V_{DD} + 0.3V$)
 AGND to GND -0.3V to +0.3V
 Input and Output Latchup Immunity $\pm 200mA$
 Maximum Continuous Current into H_{-} , L_{-} , and W_{-} $\pm 500\mu A$

Continuous Power Dissipation ($T_A = +70^{\circ}C$)
 16-Pin QSOP (derate 8.3mW/ $^{\circ}C$ above $+70^{\circ}C$) 666.7mW
 16-Pin QFN (derate 18.5mW/ $^{\circ}C$ above $+70^{\circ}C$) 1481mW
 Operating Temperature Range $-40^{\circ}C$ to $+85^{\circ}C$
 Storage Temperature Range $-60^{\circ}C$ to $+150^{\circ}C$
 Maximum Junction Temperature $+150^{\circ}C$
 Lead Temperature (soldering, 10s) $+300^{\circ}C$

Stresses beyond those listed under "Absolute Maximum Ratings" may cause permanent damage to the device. These are stress ratings only, and functional operation of the device at these or any other conditions beyond those indicated in the operational sections of the specifications is not implied. Exposure to absolute maximum rating conditions for extended periods may affect device reliability.

ELECTRICAL CHARACTERISTICS

($V_{DD} = +2.7V$ to $+3.6V$ (MAX5408/MAX5409), $V_{DD} = +4.5V$ to $+5.5V$ (MAX5410/MAX5411), $V_{H_{-}} = V_{DD}$, $V_{L_{-}} = 0$, $T_A = T_{MIN}$ to T_{MAX} . Typical values are at $T_A = +25^{\circ}C$, unless otherwise specified.)

| PARAMETER | SYMBOL | CONDITIONS | MIN | TYP | MAX | UNITS |
|--|----------|---|------------------------|------------|------------------------|------------------|
| End-to-End Resistance | | | 7 | 10 | 13 | k Ω |
| Maximum Bandwidth | | (Note 1) $C_{W_{-}} = 50pF$ | 100 | | | kHz |
| Absolute Tolerance | | | | ± 0.25 | | dB |
| Tap-to-Tap Tolerance | | | | ± 0.1 | | dB |
| Total Harmonic Distortion + Noise | THD+N | $V_{IN} = 1V_{RMS}$, $f = 1kHz$, tap = -6dB | | 0.002 | | % |
| Channel Isolation | | | | -100 | | dB |
| Interchannel Matching | | $f = 20Hz$ to $20kHz$, tap = -6dB | | ± 0.5 | | dB |
| Mute Attenuation | | | | -90 | | dB |
| Power-Supply Rejection Ratio | PSRR | | | -80 | | dB |
| Wiper Resistance | R_W | | | 1000 | 1700 | Ω |
| Wiper Capacitance | C_W | | | 10 | | pF |
| Digital Clock Feedthrough | | $f_{SCLK} = 20Hz$ to $20kHz$, tap = -6dB | | -90 | | dB |
| End-to-End Resistance Temperature Coefficient | | | | 35 | | ppm/ $^{\circ}C$ |
| Ratiometric Resistance Temperature Coefficient | | | | 5 | | ppm/ $^{\circ}C$ |
| DIGITAL INPUTS ($V_{LOGIC} > 4.5V$) | | | | | | |
| Input High Voltage | V_{IH} | | 2.4 | | | V |
| Input Low Voltage | V_{IL} | | | | 0.8 | V |
| Input Leakage Current | | | | | ± 1 | μA |
| Input Capacitance | | | | 5 | | pF |
| DIGITAL INPUTS ($V_{LOGIC} < 4.5V$) | | | | | | |
| Input High Voltage | V_{IH} | | $0.7 \times V_{LOGIC}$ | | | V |
| Input Low Voltage | V_{IL} | | | | $0.3 \times V_{LOGIC}$ | V |
| Input Leakage Current | | | | | ± 1 | μA |
| Input Capacitance | | | | 5 | | pF |

Dual, Audio, Log Taper Digital Potentiometers

MAX5408-MAX5411

ELECTRICAL CHARACTERISTICS (continued)

($V_{DD} = +2.7V$ to $+3.6V$ (MAX5408/MAX5409), $V_{DD} = +4.5V$ to $+5.5V$ (MAX5410/MAX5411), $V_{H_} = V_{DD}$, $V_{L_} = 0$, $T_A = T_{MIN}$ to T_{MAX} . Typical values are at $T_A = +25^\circ C$, unless otherwise specified.)

| PARAMETER | SYMBOL | CONDITIONS | MIN | TYP | MAX | UNITS |
|--|-------------|--|-------------------|-----|-----|---------|
| DIGITAL OUTPUT | | | | | | |
| Output High Voltage | V_{OH} | $I_{SOURCE} = 0.5mA$ | $V_{LOGIC} - 0.5$ | | | V |
| Output Low Voltage | V_{OL} | $I_{SINK} = 2mA$ | | | 0.4 | V |
| TIMING CHARACTERISTICS (Figure 1) | | | | | | |
| SCLK Clock Period | t_{CP} | | 100 | | | ns |
| SCLK Pulse Width High | t_{CH} | | 40 | | | ns |
| SCLK Pulse Width Low | t_{CL} | | 40 | | | ns |
| \overline{CS} Fall to SCLK Rise Setup Time | t_{CSS} | | 40 | | | ns |
| SCLK Rise to \overline{CS} Rise Hold Time | t_{CSH} | | 0 | | | ns |
| DIN Setup Time | t_{DS} | | 40 | | | ns |
| DIN Hold Time | t_{DH} | | 0 | | | ns |
| SCLK Fall to DOUT Valid Propagation Delay | t_{DO} | $C_{LOAD} = 200pF$ | | | 80 | ns |
| \overline{CS} Rise to SCLK Rise Hold Time | t_{CS1} | | 40 | | | ns |
| \overline{CS} Pulse Width High | t_{CSW} | | 100 | | | ns |
| Wiper Settling Time | t_{tW} | Zero-crossing detect disabled | | 1 | | μs |
| POWER SUPPLIES | | | | | | |
| Supply Voltage | V_{DD} | MAX5408/MAX5409 | 2.7 | | 3.6 | V |
| | | MAX5410/MAX5411 | 4.5 | | 5.5 | |
| Active Supply Current | I_{DD} | $f_{SCLK} = 2MHz$ (Note 2) | | | 100 | μA |
| Standby Supply Current | | (Note 3) | | 0.2 | 10 | |
| Logic Supply Voltage | V_{LOGIC} | | 2.7 | | 5.5 | V |
| Logic Active Supply Current | I_{LOGIC} | $f_{SCLK} = 2MHz$, DOUT = floating (Note 2) | | | 120 | μA |
| Logic Standby Supply Current | | DOUT = floating (Note 3) | | 0.5 | 10 | |

Note 1: Guaranteed by design, not production tested.

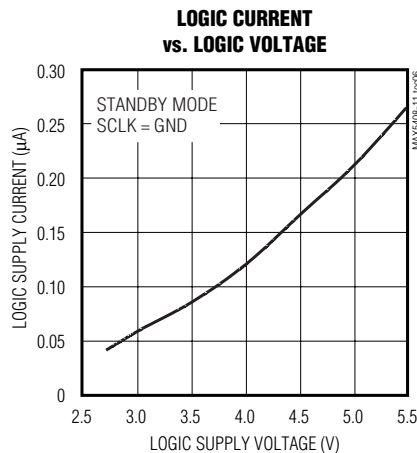
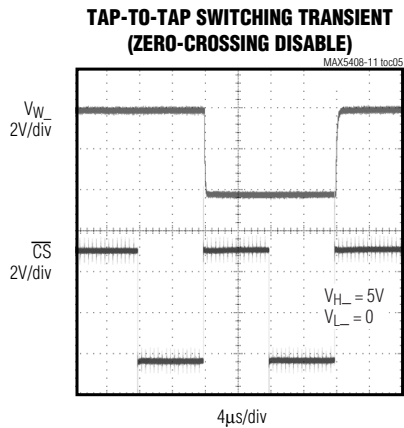
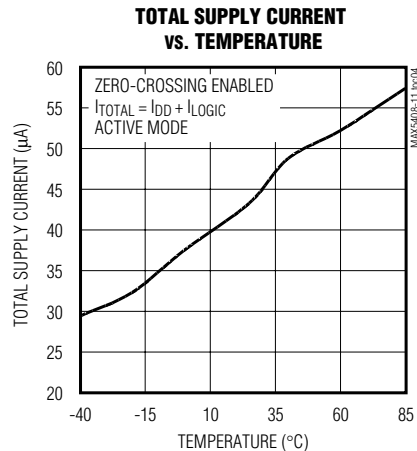
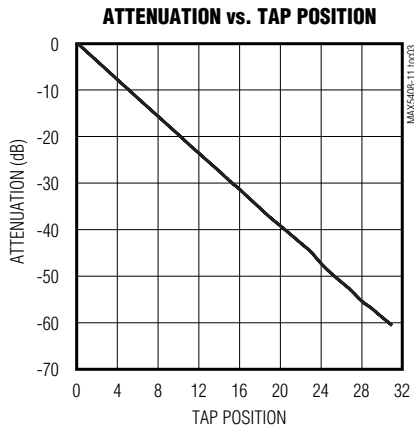
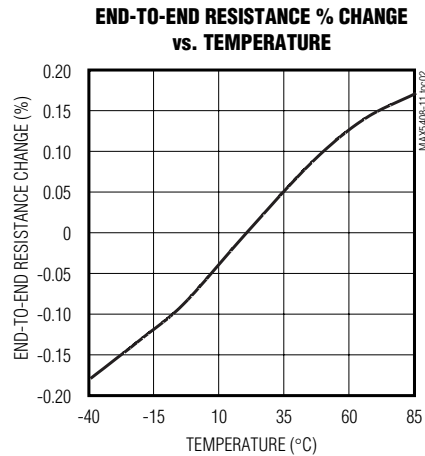
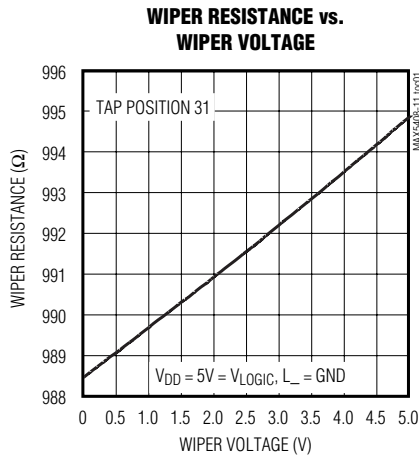
Note 2: Supply current measured while changing wiper position with zero crossing enabled.

Note 3: Supply current measured while wiper position is fixed.

Dual, Audio, Log Taper Digital Potentiometers

Typical Operating Characteristics

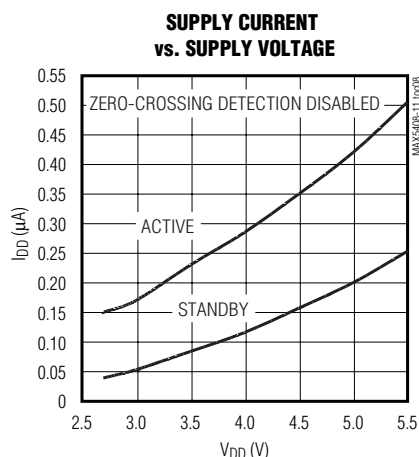
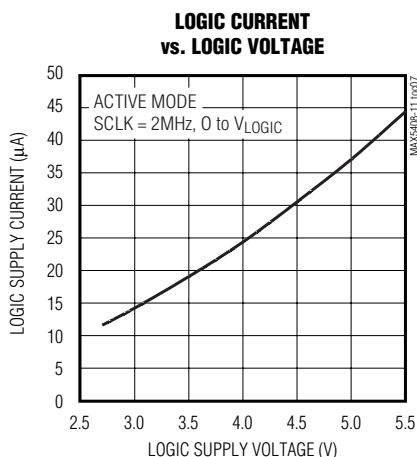
($V_{DD} = +3V$ (MAX5408/MAX5409), $V_{DD} = +5V$ (MAX5410/MAX5411), DOUT = floating)



Dual, Audio, Log Taper Digital Potentiometers

Typical Operating Characteristics (continued)

($V_{DD} = +3V$ (MAX5408/MAX5409), $V_{DD} = +5V$ (MAX5410/MAX5411), DOUT = floating)



MAX5408-MAX5411

Pin Description

| PIN | | | | NAME | FUNCTION |
|---------------------------|----------------------------|---------------------------|----------------------------|-----------------|--|
| MAX5408/ MAX5410 (QFN) | MAX5408/ MAX5410 (QSOP) | MAX5409/ MAX5411 (QFN) | MAX5409/ MAX5411 (QSOP) | | |
| 1 | 3 | 1 | 3 | SCLK | Serial Clock Input |
| 2 | 4 | 2 | 4 | \overline{CS} | Chip-Select Input |
| 3 | 5 | 3 | 5 | H0 | High Terminal of Resistor 0 |
| 4 | 6 | 4 | 6 | L0 | Low Terminal of Resistor 0 |
| 5 | 7 | 5 | 7 | W0A | Wiper Terminal A of Resistor 0 |
| — | — | 6 | 8 | W0B | Wiper Terminal B of Resistor 0 |
| — | — | 7 | 9 | W1B | Wiper Terminal B of Resistor 1 |
| 8 | 10 | 8 | 10 | W1A | Wiper Terminal A of Resistor 1 |
| 9 | 11 | 9 | 11 | L1 | Low Terminal of Resistor 1 |
| 10 | 12 | 10 | 12 | H1 | High Terminal of Resistor 1 |
| 11 | 13 | 11 | 13 | AGND | Analog Ground |
| 12 | 14 | 12 | 14 | GND | Ground |
| 13 | 15 | 13 | 15 | V_{LOGIC} | Digital Logic Power Supply |
| 14 | 16 | 14 | 16 | V_{DD} | Analog Power Supply |
| 15 | 1 | 15 | 1 | DOUT | Serial Data Output |
| 16 | 2 | 16 | 2 | DIN | Serial Data Input |
| 6, 7 | 8, 9 | — | — | N.C. | No Connection. Not internally connected. |

Dual, Audio, Log Taper Digital Potentiometers

Table 1. Serial Interface Programming Commands for MAX5408/MAX5410

| 8-BIT SERIAL WORD | | | | FUNCTION |
|-------------------|----|----|---|--|
| A0 | A1 | A2 | D4-D0 | |
| 0 | 0 | 0 | 5-bit DAC data | Set position of wiper W0A |
| 0 | 0 | 1 | 5-bit DAC data | No change |
| 0 | 1 | 0 | 5-bit DAC data | Set position of wiper W1A |
| 0 | 1 | 1 | 5-bit DAC data | No change |
| 1 | 0 | 0 | 4-bit mute data, D0 = "don't care" | Data for mute register (see Table 3) |
| 1 | 0 | 1 | 4-bit zero-crossing detection data, D0 = "don't care" | Data for zero-crossing detection register (see Table 5) |
| 1 | 1 | 0 | 00000 | Readback contents of wiper register for W0A at DOUT |
| 1 | 1 | 0 | 00001 | No change |
| 1 | 1 | 0 | 00010 | Readback contents of wiper register for W1A at DOUT |
| 1 | 1 | 0 | 00011 | No change |
| 1 | 1 | 0 | 00100 | Readback contents of mute register at DOUT |
| 1 | 1 | 0 | 00101 | Readback contents of zero-crossing detection register at DOUT |
| 1 | 1 | 1 | D4 = 0, D3-D0 = "don't care" | Immediate update then analog power-down when zero crossing is enabled. No effect when zero crossing is disabled. |

Detailed Description

Digital Serial Interface

An SPI-compatible serial interface controls the MAX5408-MAX5411. The input word to the device is eight bits long, composed of three address bits (A0, A1, and A2), followed by five data bits, with MSB first (see Tables 1 and 2). The first three address bits set the value of internal registers. The five data bits control the wiper position. For certain commands, some of the five data bits are "don't cares", but must be sent to the device.

The serial data is listed in Tables 1 and 2.

The control code determines:

- Potentiometer to update or register to set.
- Data for mute register (Tables 3 and 4).
- Data for zero-crossing detection register (Tables 5 and 6).

The data bits control the position of the wiper (Table 7). A logic low on the chip-select input (\overline{CS}) enables the device's serial interface. A logic high on \overline{CS} disables the interface control circuitry. See Figure 1 for serial-interface timing description.

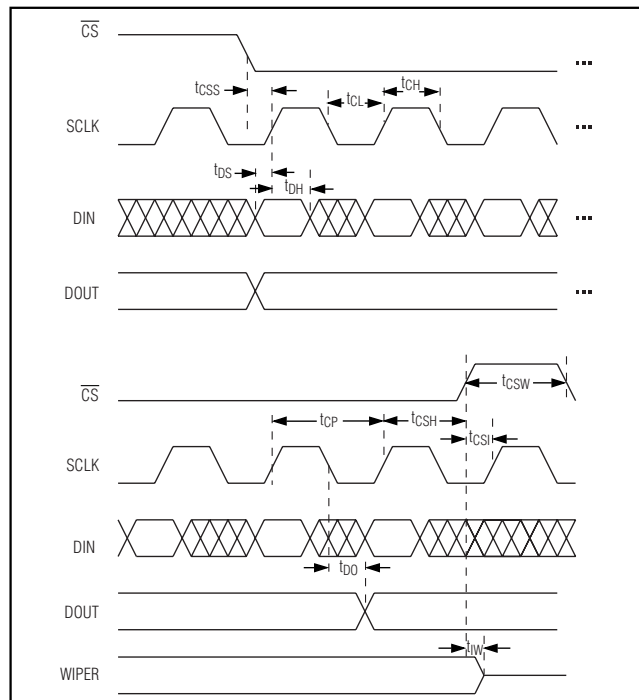


Figure 1. Serial Timing Diagram

Dual, Audio, Log Taper Digital Potentiometers

MAX5408-MAX5411

Table 2. Serial Interface Programming Commands for MAX5409/MAX5411

| 8-BIT SERIAL WORD | | | | FUNCTION |
|-------------------|----|----|---|---|
| A0 | A1 | A2 | D4–D0 | |
| 0 | 0 | 0 | 5-bit DAC data | Set position of wiper W0A |
| 0 | 0 | 1 | 5-bit DAC data | Set position of wiper W0B |
| 0 | 1 | 0 | 5-bit DAC data | Set position of wiper W1A |
| 0 | 1 | 1 | 5-bit DAC data | Set position of wiper W1B |
| 1 | 0 | 0 | 4-bit mute data, D0 = “don’t care” | Data for mute register (see Table 4) |
| 1 | 0 | 1 | 4-bit zero-crossing detection data, D0 = “don’t care” | Data for zero-crossing detection register (see Table 6) |
| 1 | 1 | 0 | 00000 | Readback contents of wiper register for W0A at DOUT |
| 1 | 1 | 0 | 00001 | Readback contents of wiper register for W0B at DOUT |
| 1 | 1 | 0 | 00010 | Readback contents of wiper register for W1A at DOUT |
| 1 | 1 | 0 | 00011 | Readback contents of wiper register for W1B at DOUT |
| 1 | 1 | 0 | 00100 | Readback contents of mute register at DOUT |
| 1 | 1 | 0 | 00101 | Readback contents of zero-crossing detection register at DOUT |
| 1 | 1 | 1 | D4 = 0, D3–D0 = “don’t care” | Analog power-down |
| 1 | 1 | 1 | D4 = 1, D3–D0 = “don’t care” | Analog power-up |

Table 3. Mute Register Bit Definitions for MAX5408/MAX5410

| DATA BIT | VALUE | FUNCTION |
|----------|--------------|--|
| D4 | 0 | Set wiper W0A to preprogrammed value (-62dB on power-up) |
| | 1 | Set wiper W0A to mute (-90dB) |
| D3 | “don’t care” | No change |
| D2 | 0 | Set wiper W1A to preprogrammed value (-62dB on power-up) |
| | 1 | Set wiper W1A to mute (-90dB) |
| D1 | “don’t care” | No change |
| D0 | “don’t care” | No change |

Table 4. Mute Register Bit Definitions for MAX5409/MAX5411

| DATA BIT | VALUE | FUNCTION |
|----------|--------------|--|
| D4 | 0 | Set wiper W0A to preprogrammed value (-62dB on power-up) |
| | 1 | Set wiper W0A to mute (-90dB) |
| D3 | 0 | Set wiper W0B to preprogrammed value (-62dB on power-up) |
| | 1 | Set wiper W0B to mute (-90dB) |
| D2 | 0 | Set wiper W1A to preprogrammed value (-62dB on power-up) |
| | 1 | Set wiper W1A to mute (-90dB) |
| D1 | 0 | Set wiper W1B to preprogrammed value (-62dB on power-up) |
| | 1 | Set wiper W1B to mute (-90dB) |
| D0 | “don’t care” | No change |

Dual, Audio, Log Taper Digital Potentiometers

Table 5. Zero-Crossing Detection Register Bit Definitions for MAX5408/MAX5410

| DATA BIT | VALUE | FUNCTION |
|----------|--------------|---|
| D4 | 0 | Disable wiper W0A zero-crossing detection circuit |
| | 1 | Enable wiper W0A zero-crossing detection circuit |
| D3 | “don't care” | No change |
| D2 | 0 | Disable wiper W1A zero-crossing detection circuit |
| | 1 | Enable wiper W1A zero-crossing detection circuit |
| D1 | “don't care” | No change |
| D0 | “don't care” | No change |

Table 6. Zero-Crossing Detection Register Bit Definitions for MAX5409/MAX5411

| DATA BIT | VALUE | FUNCTION |
|----------|--------------|---|
| D4 | 0 | Disable wiper W0A zero-crossing detection circuit |
| | 1 | Enable wiper W0A zero-crossing detection circuit |
| D3 | 0 | Disable wiper W0B zero-crossing detection circuit |
| | 1 | Enable wiper W0B zero-crossing detection circuit |
| D2 | 0 | Disable wiper W1A zero-crossing detection circuit |
| | 1 | Enable wiper W1A zero-crossing detection circuit |
| D1 | 0 | Disable wiper W1B zero-crossing detection circuit |
| | 1 | Enable wiper W1B zero-crossing detection circuit |
| D0 | “don't care” | No change |

Table 7. Attenuation and Wiper Position

| POSITION | OUTPUT LEVEL (dB) |
|----------|-------------------|
| 0 | 0 |
| 1 | -2 |
| 2 | -4 |
| 3 | -6 |
| 4 | -8 |
| ⋮ | ⋮ |
| ⋮ | ⋮ |
| 30 | -60 |
| 31 | -62 |
| MUTE | <-90 |

The digital output, DOUT, lags the digital input signal, DIN by 8.5 clock cycles. Force \overline{CS} high to disable DOUT, placing DOUT in three-state mode. Force \overline{CS} low to enable DOUT and disable three-state mode.

Force \overline{CS} high, after a word has been written to the MAX5408–MAX5411 to make a readback request. The next \overline{CS} low period writes the requested data to DOUT.

A readback request overwrites any previous data in the shift register. Note that the data appears at DOUT in the order: A0, A1, A2, D4, D3, D2, D1, D0. A0 will be available after the first high-to-low transition of SCLK when \overline{CS} is low. The input continues to load the shift register while data is being read out of the MAX5408–MAX5411. The input data appears at DOUT 8.5 clock cycles later. A \overline{CS} transition from low-to-high latches the input data. For any control byte, the state of SCLK must be the same for both \overline{CS} low-to-high transitions and \overline{CS} high-to-low transitions in order to preserve the data at DOUT while \overline{CS} transitions.

Zero-Crossing Detection

The zero-crossing detection register enables the zero-crossing detect feature. The zero-crossing detect feature reduces the audible noise (“clicks and pops”) that result from wiper transitions. The wiper changes position only when the voltage at L_{-} is the same as the voltage at H_{-} . Each wiper has a zero-crossing and timeout circuit (see Figure 2). With zero-crossing enabled, the MAX5408–MAX5411 change wiper position after 50ms or when zero crossing is detected.

Dual, Audio, Log Taper Digital Potentiometers

MAX5408-MAX5411

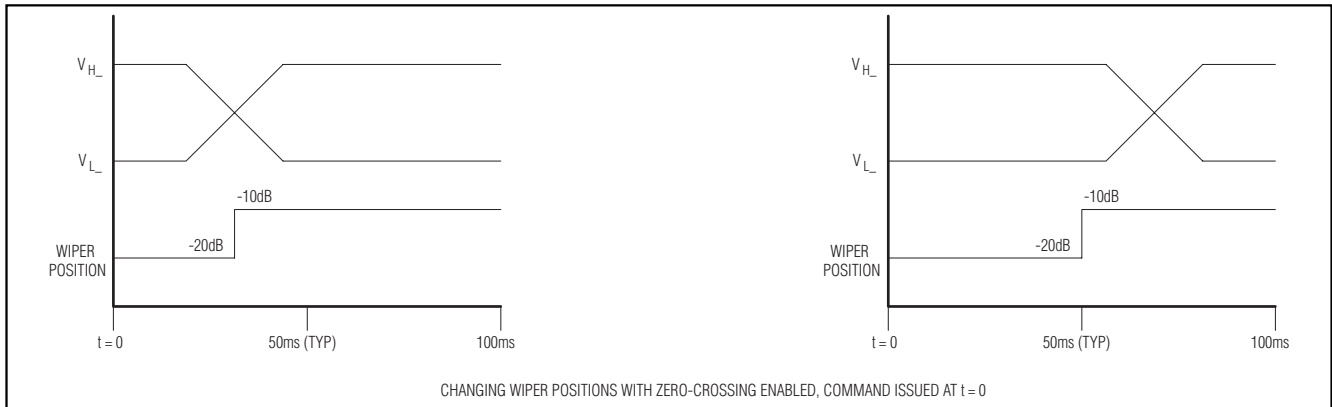


Figure 2. Zero-Crossing Timing Diagram

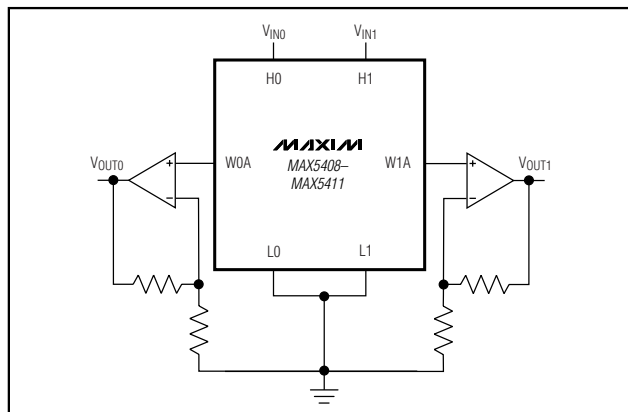


Figure 3. Attenuation Control

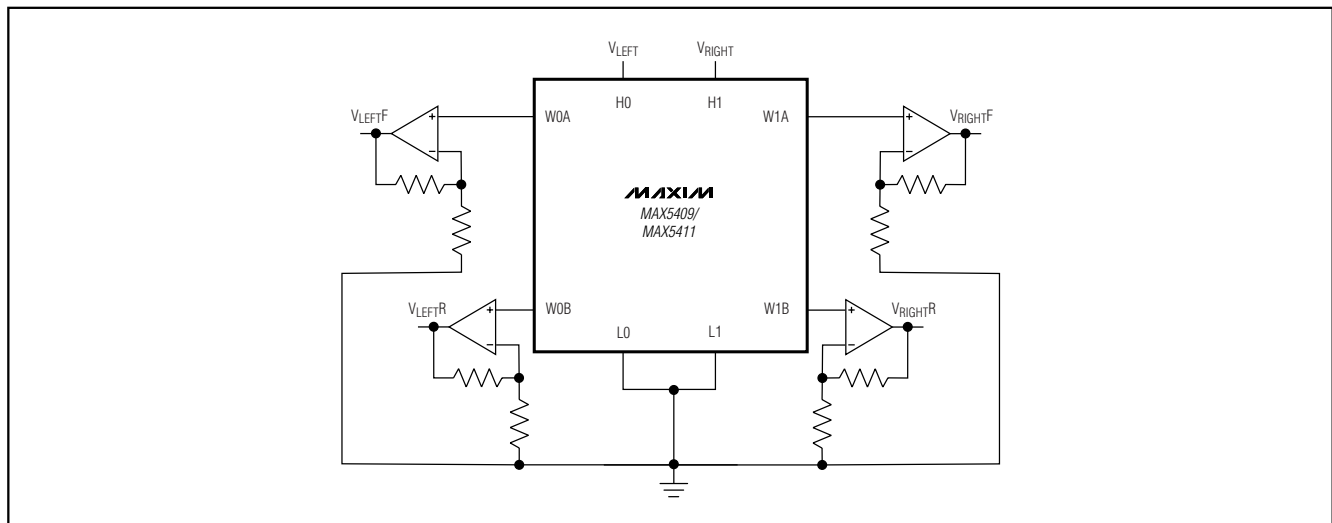


Figure 4. Stereo Volume Control with Front and Rear Fade

Dual, Audio, Log Taper Digital Potentiometers

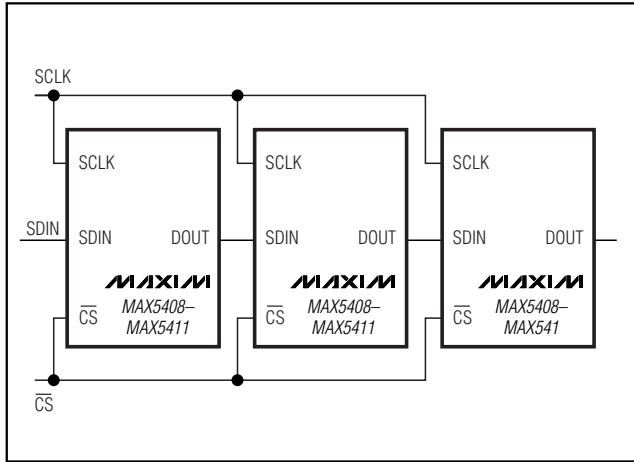


Figure 5. Daisy-Chaining of Serial Interfaces

Power-On Reset

The power-on reset (POR) feature sets all the wipers to the maximum attenuation (tap position 31, -62dB) at power-up. If either V_{DD} or V_{LOGIC} is zero volts, a power-on reset initiates when one of the supplies is brought back to the operating voltage.

Mute Function

When mute is enabled, the wipers go to -90dB attenuation. When mute is disabled, the wiper returns to its position before mute was enabled. All wipers can be muted simultaneously or independently.

Applications Information

Attenuation Control

Figure 3 shows the application of an attenuation control. The op amps are connected in a follower configuration with a fixed gain. The digitally controlled potentiometer attenuates the input signal.

Stereo Volume Control

Figure 4 shows the application of stereo volume control using MAX5409/MAX5411. The op amps are connected in a follower configuration with fixed gain. The digitally controlled potentiometer attenuates the input signals. The second wiper of each potentiometer controls the signal amplitude at the rear set of speakers.

Daisy-Chaining

Figure 5 shows an application daisy-chaining the serial-interfaces of the MAX5408-MAX5411. A single-write command updates multiple devices from a single digital port in this configuration (see *Digital Serial Interface* section).

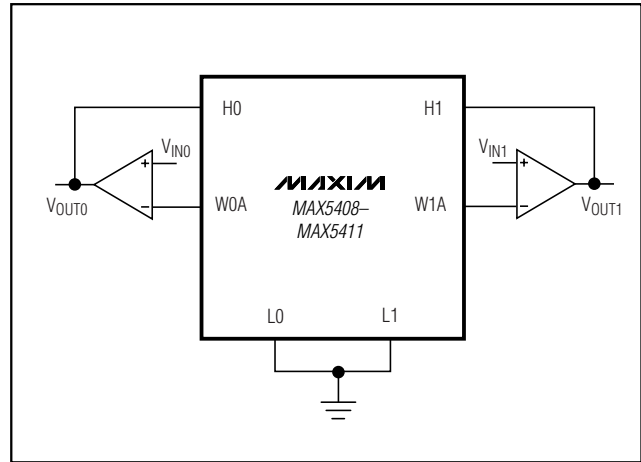


Figure 6. Gain Control

Gain Control

Figure 6 shows the application of a gain control. **Note:** Muting the potentiometer creates unpredictable behavior at the output of the op amp, and may seriously degrade the performance of the op amp.

Ordering Information (continued)

| PART | TEMP RANGE | PIN-PACKAGE | WIPERS PER RESISTOR |
|------------|----------------|-------------|---------------------|
| MAX5409ETE | -40°C to +85°C | 16 Thin QFN | 2 |
| MAX5410EEE | -40°C to +85°C | 16 QSOP | 1 |
| MAX5410ETE | -40°C to +85°C | 16 Thin QFN | 1 |
| MAX5411EEE | -40°C to +85°C | 16 QSOP | 2 |
| MAX5411ETE | -40°C to +85°C | 16 Thin QFN | 2 |

Chip Information

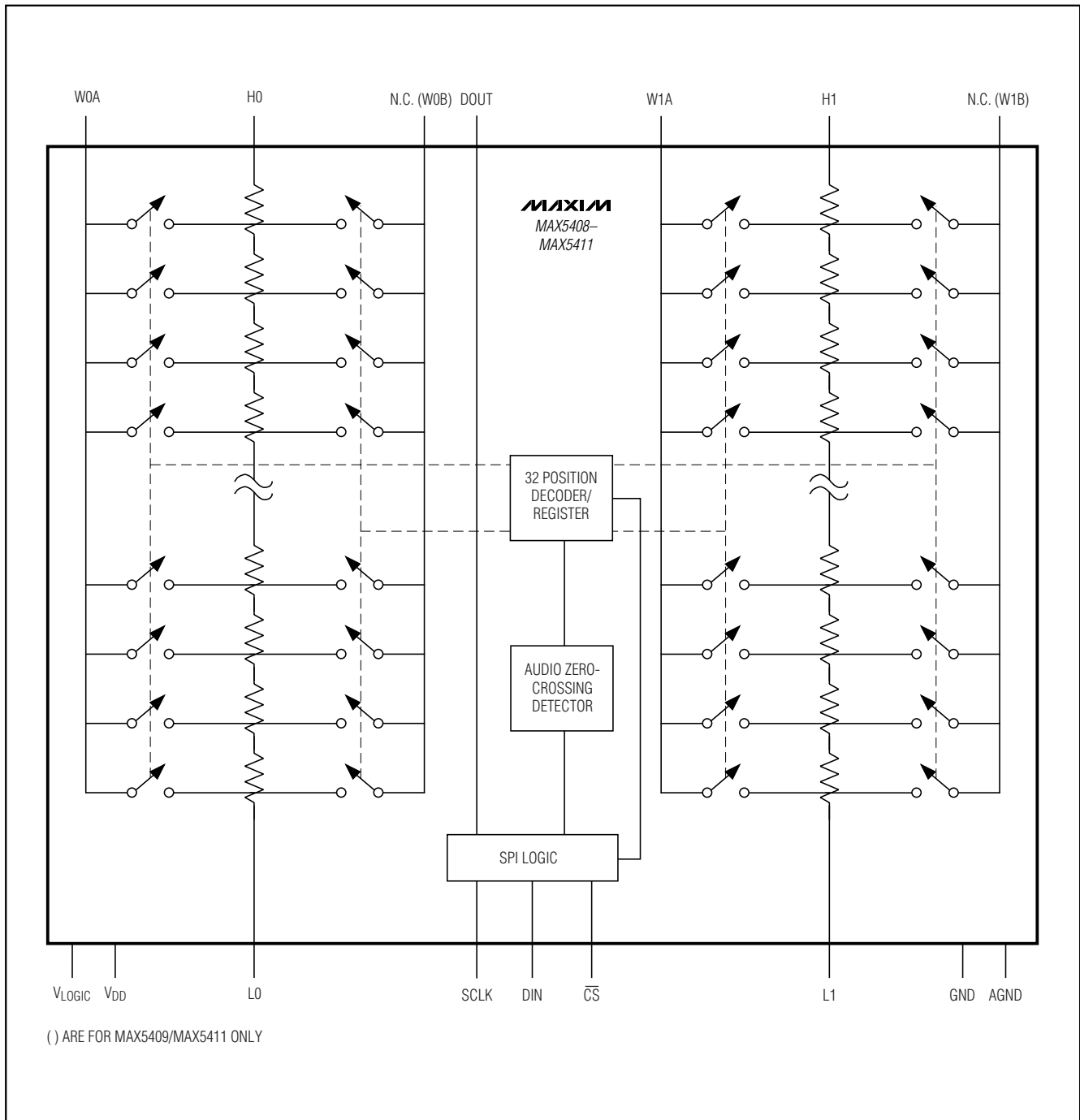
TRANSISTOR COUNT: 12,875

PROCESS: BiCMOS

Dual, Audio, Log Taper Digital Potentiometers

Functional Diagram

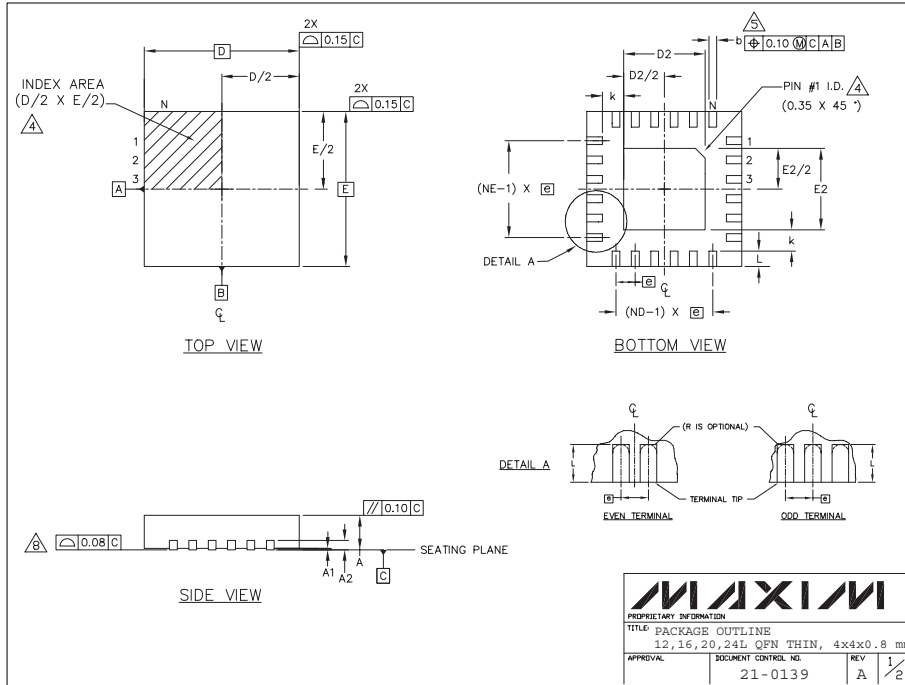
MAX5408-MAX5411



Dual, Audio, Log Taper Digital Potentiometers

Package Information

(The package drawing(s) in this data sheet may not reflect the most current specifications. For the latest package outline information, go to www.maxim-ic.com/packages.)



| COMMON DIMENSIONS | | | | | | | | | | | | |
|-------------------|-----------|------|------|-----------|------|------|-----------|------|------|-----------|------|------|
| PKG | 12L 4x4 | | | 16L 4x4 | | | 20L 4x4 | | | 24L 4x4 | | |
| REF. | MIN. | NDM. | MAX. | MIN. | NDM. | MAX. | MIN. | NDM. | MAX. | MIN. | NDM. | MAX. |
| A | 0.70 | 0.75 | 0.80 | 0.70 | 0.75 | 0.80 | 0.70 | 0.75 | 0.80 | 0.70 | 0.75 | 0.80 |
| A1 | 0.0 | 0.02 | 0.05 | 0.0 | 0.02 | 0.05 | 0.0 | 0.02 | 0.05 | 0.0 | 0.02 | 0.05 |
| A2 | 0.20 REF | | | 0.20 REF | | | 0.20 REF | | | 0.20 REF | | |
| b | 0.25 | 0.30 | 0.35 | 0.25 | 0.30 | 0.35 | 0.20 | 0.25 | 0.30 | 0.18 | 0.23 | 0.30 |
| D | 3.90 | 4.00 | 4.10 | 3.90 | 4.00 | 4.10 | 3.90 | 4.00 | 4.10 | 3.90 | 4.00 | 4.10 |
| E | 3.90 | 4.00 | 4.10 | 3.90 | 4.00 | 4.10 | 3.90 | 4.00 | 4.10 | 3.90 | 4.00 | 4.10 |
| e | 0.80 BSC. | | | 0.65 BSC. | | | 0.50 BSC. | | | 0.50 BSC. | | |
| k | 0.25 | - | - | 0.25 | - | - | 0.25 | - | - | 0.25 | - | - |
| L | 0.45 | 0.55 | 0.65 | 0.45 | 0.55 | 0.65 | 0.45 | 0.55 | 0.65 | 0.30 | 0.40 | 0.50 |
| N | 12 | | | 16 | | | 20 | | | 24 | | |
| ND | 3 | | | 4 | | | 5 | | | 6 | | |
| NE | 3 | | | 4 | | | 5 | | | 6 | | |
| Jedec Var. | VGGB | | | WGGC | | | WGGD-1 | | | WGGD-2 | | |

| EXPOSED PAD VARIATIONS | | | | | | |
|------------------------|------|------|------|------|------|------|
| PKG. CODES | D2 | | | E2 | | |
| | MIN. | NDM. | MAX. | MIN. | NDM. | MAX. |
| T1244-2 | 1.95 | 2.10 | 2.25 | 1.95 | 2.10 | 2.25 |
| T1644-2 | 1.95 | 2.10 | 2.25 | 1.95 | 2.10 | 2.25 |
| T2044-1 | 1.95 | 2.10 | 2.25 | 1.95 | 2.10 | 2.25 |
| T2444-1 | 2.45 | 2.60 | 2.63 | 2.45 | 2.60 | 2.63 |

NOTES:

- DIMENSIONING & TOLERANCING CONFORM TO ASME Y14.5M-1994.
- ALL DIMENSIONS ARE IN MILLIMETERS. ANGLES ARE IN DEGREES.
- N IS THE TOTAL NUMBER OF TERMINALS.
- THE TERMINAL #1 IDENTIFIER AND TERMINAL NUMBERING CONVENTION SHALL CONFORM TO JEDEC 95-1 SPP-012. DETAILS OF TERMINAL #1 IDENTIFIER ARE OPTIONAL, BUT MUST BE LOCATED WITHIN THE ZONE INDICATED. THE TERMINAL #1 IDENTIFIER MAY BE EITHER A MOLD OR MARKED FEATURE.
- DIMENSION b APPLIES TO METALLIZED TERMINAL AND IS MEASURED BETWEEN 0.25 mm AND 0.30 mm FROM TERMINAL TIP.
- ND AND NE REFER TO THE NUMBER OF TERMINALS ON EACH D AND E SIDE RESPECTIVELY.
- DEPOPULATION IS POSSIBLE IN A SYMMETRICAL FASHION.
- COPLANARITY APPLIES TO THE EXPOSED HEAT SINK SLUG AS WELL AS THE TERMINALS.
- DRAWING CONFORMS TO JEDEC MO220.

| | | | |
|--------------------------------------|----------------------|-----|-----|
| MAXIM | | | |
| PROPRIETARY INFORMATION | | | |
| TITLE: PACKAGE OUTLINE | | | |
| 12, 16, 20, 24L QFN THIN, 4x4x0.8 mm | | | |
| APPROVAL: | DOCUMENT CONTROL NO. | REV | 2/2 |
| | 21-0139 | A | |

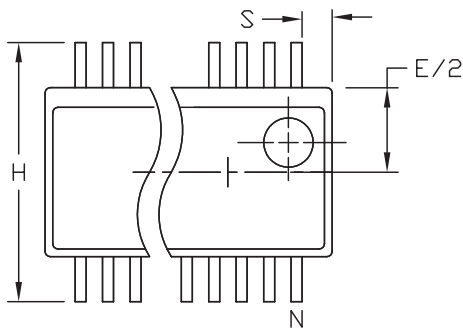
Dual, Audio, Log Taper Digital Potentiometers

Package Information (continued)

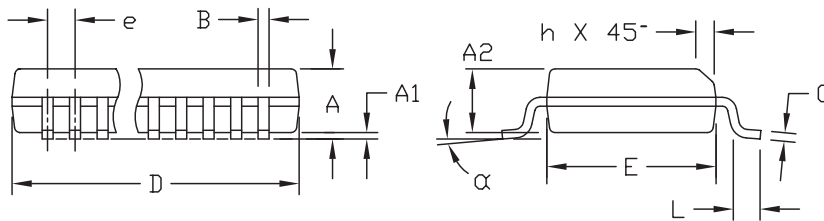
(The package drawing(s) in this data sheet may not reflect the most current specifications. For the latest package outline information, go to www.maxim-ic.com/packages.)

MAX5408-MAX5411

QSOP-EPS



| DIM | INCHES | | MILLIMETERS | |
|----------|----------------|-------|-------------|-------|
| | MIN | MAX | MIN | MAX |
| A | .061 | .068 | 1.55 | 1.73 |
| A1 | .004 | .0098 | 0.102 | 0.249 |
| A2 | .055 | .061 | 1.40 | 1.55 |
| B | .008 | .012 | 0.20 | 0.31 |
| C | .0075 | .0098 | 0.191 | 0.249 |
| D | SEE VARIATIONS | | | |
| E | .150 | .157 | 3.81 | 3.99 |
| e | .025 BSC | | 0.635 BSC | |
| H | .230 | .244 | 5.84 | 6.20 |
| h | .010 | .016 | 0.25 | 0.41 |
| L | .016 | .035 | 0.41 | 0.89 |
| N | SEE VARIATIONS | | | |
| α | 0° | 8° | 0° | 8° |



VARIATIONS:

| DIM | INCHES | | MILLIMETERS | | N |
|-----|--------|-------|-------------|-------|-------|
| | MIN. | MAX. | MIN. | MAX. | |
| D | .189 | .196 | 4.80 | 4.98 | 16 AA |
| S | .0020 | .0070 | 0.05 | 0.18 | |
| D | .337 | .344 | 8.56 | 8.74 | 20 AB |
| S | .0500 | .0550 | 1.270 | 1.397 | |
| D | .337 | .344 | 8.56 | 8.74 | 24 AC |
| S | .0250 | .0300 | 0.635 | 0.762 | |
| D | .386 | .393 | 9.80 | 9.98 | 28 AD |
| S | .0250 | .0300 | 0.635 | 0.762 | |

NOTES:

- 1). D & E DO NOT INCLUDE MOLD FLASH OR PROTRUSIONS.
- 2). MOLD FLASH OR PROTRUSIONS NOT TO EXCEED .006" PER SIDE.
- 3). CONTROLLING DIMENSIONS: INCHES.
- 4). MEETS JEDEC MO137.

| | | | |
|--|-------------------------------------|--------------------|--------------------|
| MAXIM | | | |
| <small>PROPRIETARY INFORMATION</small> | | | |
| <small>TITLE:</small> | | | |
| PACKAGE OUTLINE, QSOP, .150", .025" LEAD PITCH | | | |
| <small>APPROVAL</small> | <small>DOCUMENT CONTROL NO.</small> | <small>REV</small> | <small>1/1</small> |
| | 21-0055 | D | |

Maxim cannot assume responsibility for use of any circuitry other than circuitry entirely embodied in a Maxim product. No circuit patent licenses are implied. Maxim reserves the right to change the circuitry and specifications without notice at any time.