

XC25BS5 Series



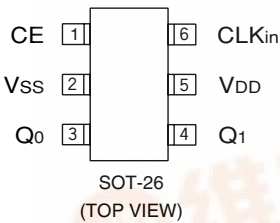
PLL Clock Generator ICs with Built-In Divider/Multiplier Circuits (For Low Frequency range)

- ◆CMOS Low Power Consumption
- ◆Input Frequency : 12KHz to 35MHz
- ◆Divider Ratio : 1, 3 ~ 2047 divisions
(laser trimming)
- ◆Multiplier Ratio : 6 ~ 2047 multiplications
(laser trimming)
- ◆Comparative Frequency : 12KHz ~ 500KHz
- ◆Output Frequency : 3MHz ~ 30MHz
- ◆Mini Mold SOT-26 Package

General Description

The XC25BS5 series are high frequency, low power consumption PLL clock generator ICs with divider circuit & multiplier PLL circuit. Laser trimming gives the option of being able to select from divider ratios (M) of 1,3 to 2047 and multiplier ratios (N) of 6 to 2047. Output frequency (Q0) is equal to reference oscillation (fCLKin) multiplied by N/M, within a range of 3MHz to 30MHz. Q1 output is selectable from input reference frequency (f0), input reference frequency/2 (f0/2), ground (GND), and comparative frequency (f0/M). Further, comparative frequencies, within a range of 12KHz to 500KHz, can be obtained by dividing the reference oscillation. By halting operation via the CE pin, consumption current can be controlled and output will be one of high-impedance.

Pin Configuration



Function List

- CE, Q0/Q1 Pin Function

Pin	FUNCTION
1	CE, Q0, Q1 clock output
3	Standby. Output pin = high impedance
Open	Standby. Output pin = high impedance

Applications

- Crystal Oscillation Modules
- Personal Computers
- PDAs
- Portable Audio Systems
- Various System Clocks

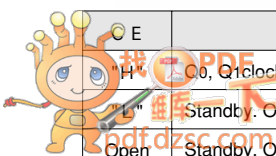
Features

- Output Frequency** : 3MHz ~ 30MHz (Q0=fCLKin × N/M)
- Reference Oscillation (fCLKin)** : 12KHz ~ 35MHz
- Divider Ratio (M)** : Selectable from divisions of 1, 3 ~ 2047
- Multiplier Ratio (N)** : Selectable from multiplications of 6 ~ 2047
- Output** : 3-State
Q1 output selectable from input reference oscillation, input reference oscillation/2, GND, comparative frequency.
- Operating Voltage Range**: 2.97V ~ 5.5V
- Low Power Consumption** : CMOS (stand-by function included)*1
- Ultra Small Package** : SOT-26 mini mold
*1 High output impedance during standby

Pin Assignment

PIN NUMBER	PIN NAME	FUNCTION
1	CE	Chip Enable
2	VSS	GND
3	Q0	PLL Output
4	Q1	Reference Oscillation, Reference Oscillation/2, GND, or Comparative Frequency Output
5	VDD	Power Supply
6	CLKin	Reference Clock Input

"H" = High level



Product Classification

Ordering Information

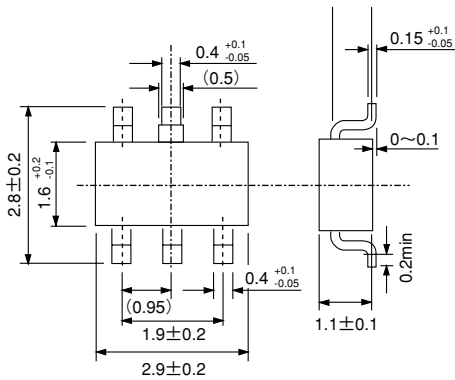
XC25BS5 ①②③④⑤

1

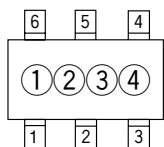
DESTINATION	DESCRIPTION
①②③	Denotes Product Number (Based on internal standards) e.g. Product Number 001 → ①②③ = 001
④	Package M : SOT-26
⑤	Device Orientation R : Embossed Tape : Standard Feed L : Embossed Tape : Reverse Feed

Packaging Information

SOT-26



■ Marking



SOT-26
(TOP VIEW)

① Represents the Series name

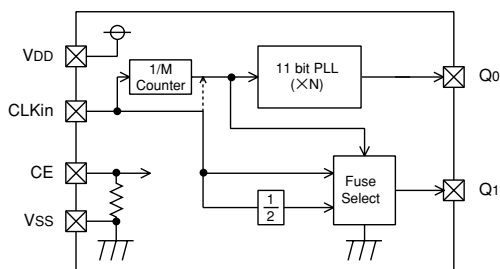
MARK	
5	

②③ Represents the second and third figure of the Product Number.

MARK	
②	③
0	7

④ Represents the Assembly Lot No.
(Based on internal standards)

■ Block Diagram



■ Absolute Maximum Ratings

Ta = 25°C

PARAMETER	SYMBOL	CONDITIONS	UNITS
Supply Voltage	VDD	Vss-0.3~Vss+7.0	V
CLKin Pin Voltage	VCK	Vss-0.3~VDD+0.3	V
CE Pin Voltage	VCE	Vss-0.3~VDD+0.3	V
Q0 Pin Voltage	VQ0	Vss-0.3~VDD+0.3	V
Q1 Pin Voltage	VQ1	Vss-0.3~VDD+0.3	V
Q0 Output Current	I _{Q0}	± 50	mA
Q0 Output Current	I _{Q1}	± 50	mA
Power Dissipation	PD	150	mW
Ambient Temp.	Topr	- 30~ +80	°C
Storage Temp.	Tstg	- 40~ +125	°C

Frequency Configuration : Example 1

PARAMETER	SYMBOL	MIN.	TYP.	MAX.	UNITS
Input Frequency	f CLKin	11.0000	-	16.9344	MHz
Multiplier/Divider Ratio	N/M	-	1.594	-	-
PLL Output Frequency	fQ0	17.5383	-	27.0000	MHz
Q1 Output Frequency	Q1	GND			-

Electrical Characteristics (DC)

fCLKin = 16.9344MHz, Multiplier/Divider Ratio = 1.594, Ta = 25°C, No Load

PARAMETER	SYMBOL	CONDITIONS	MIN.	TYP.	MAX.	UNITS
Supply Voltage	VDD		2.97	3.3	3.63	V
Input Voltage "High"	VIH		2.7	-	-	V
Input Voltage "Low"	VIL		-	-	0.6	V
Input Current "High"	IiH	VCK = 3.3V	-	-	3.0	μA
Input Current "Low"	IiL	VCK = 0V	-3.0	-	-	μA
Output Voltage "High"	VOH	VDD = 2.97V, IOH = -8mA	2.5	-	-	V
Output Voltage "Low"	VOL	VDD = 2.97V, IOL = 8mA	-	-	0.4	V
Supply Current 1	IDD1	CE = 3.3V	-	3.0	6.0	mA
Supply Current 2	IDD2	CE = 0V	-	-	5.0	μA
CE "High" Voltage	VCEH		2.7	-	-	V
CE "Low" Voltage	VCEL		-	-	0.45	V
CE Pull down Resistance 1	Rp1	CE = 3.3V	0.5	1.5	2.5	MΩ
CE Pull down Resistance 2	Rp2	CE = 0.3V	20.0	50.0	80.0	KΩ

Electrical Characteristics (AC)

fCLKin=16.9344MHz, Multiplier/Divider Ratio=1.594, Ta=25°C, CL=15pF

PARAMETER	SYMBOL	CONDITIONS	MIN.	TYP.	MAX.	UNITS
Output Rise Time	TTLH	VDD=3.3V(20% to 80%)*2	-	5.0	-	ns
Output Fall Time	TTHL	VDD=3.3V(20% to 80%)*2	-	5.0	-	ns
Duty Ratio	DUTY		40	50	60	%
Output Start Time	Ton	*2	-	-	20	ms
PLL Output Jitter	Tj	1σ *2	-	40	-	ps

*2 R&D guarantee

■ Frequency Configuration : Example 2

PARAMETER	SYMBOL	MIN.	TYP.	MAX.	UNITS
Input Frequency	f CLKin	52.0000	-	78.0000	kHz
Multiplier/Divider Ratio	N/M	-	256.000	-	-
PLL Output Frequency	fQ0	13.312	-	19.968	MHz
Q1 Output Frequency	Q1	GND			-

1

●Electrical Characteristics (DC)

fCLKin=78kHz, Multiplier/Divider Ratio=256, Ta=25°C, No Load

PARAMETER	SYMBOL	CONDITIONS	MIN.	TYP.	MAX.	UNITS
Supply Voltage	VDD		2.97	3.3	3.63	V
Input Voltage "High"	VIH		2.7	-	-	V
Input Voltage "Low"	VIL		-	-	0.6	V
Input Current "High"	IiH	VCK=3.3V	-	-	3.0	μA
Input Current "Low"	IiL	VCK=0V	- 3.0	-	-	μA
Output Voltage "High"	VOH	VDD=2.97V, IOH= - 8mA	2.5	-	-	V
Output Voltage "Low"	VOL	VDD=2.97V, IOL=8mA	-	-	0.4	V
Supply Current 1	IDD1	CE=3.3V	-	2.0	4.0	mA
Supply Current 2	IDD2	CE=0V	-	-	5.0	μA
CE "High" Voltage	VCEH		2.7	-	-	V
CE "Low" Voltage	VCEL		-	-	0.45	V
CE Pull down Resistance 1	Rp1	CE=3.3V	0.5	1.5	2.5	MΩ
CE Pull down Resistance 2	Rp2	CE=0.3V	20.0	50.0	80.0	KΩ

●Electrical Characteristics (AC)

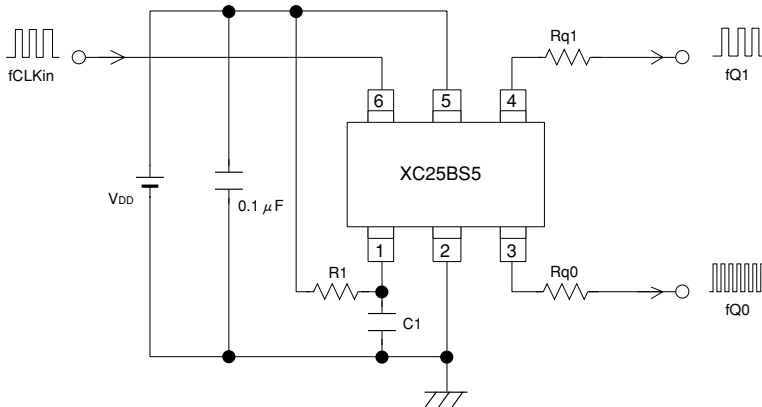
fCLKin=78KHz, Multiplier/Divider Ratio=256, Ta=25°C, CL=15pF

PARAMETER	SYMBOL	CONDITIONS	MIN.	TYP.	MAX.	UNITS
Output Rise Time	TTLH	VDD=3.3V(20% to 80%)*2	-	5.0	-	ns
Output Fall Time	TTHL	VDD=3.3V(20% to 80%)*2	-	5.0	-	ns
Duty Ratio	DUTY		40	50	60	%
Output Start Time	Ton	*2	-	-	20	ms
PLL Output Jitter	Tj	1σ *2	-	20	-	ps

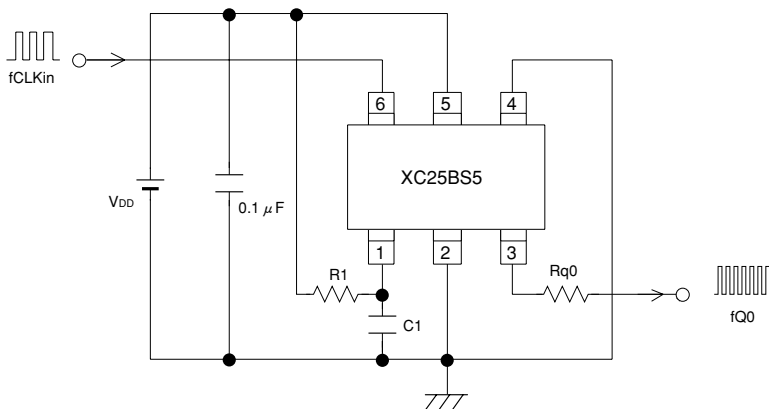
*2 R&D guarantee

Typical Application Circuits

① Q1 Pin - reference oscillation, reference oscillation/2, comparative frequency.



② Q1 Pin - GND

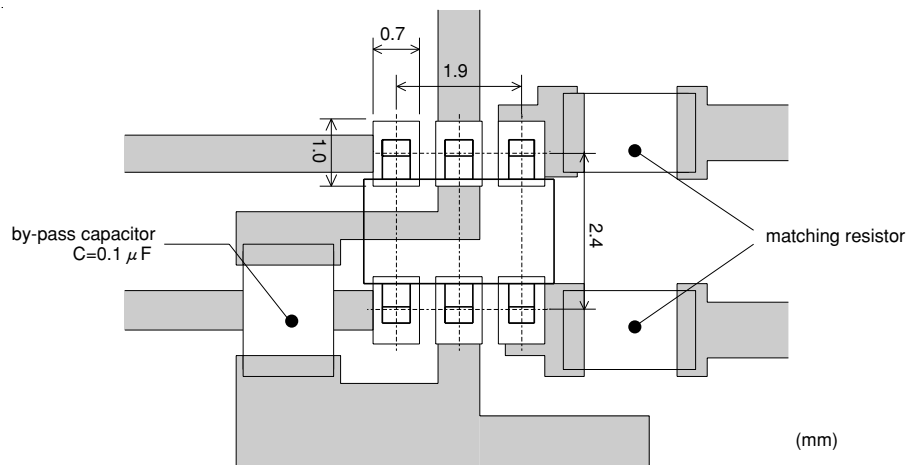


Note:

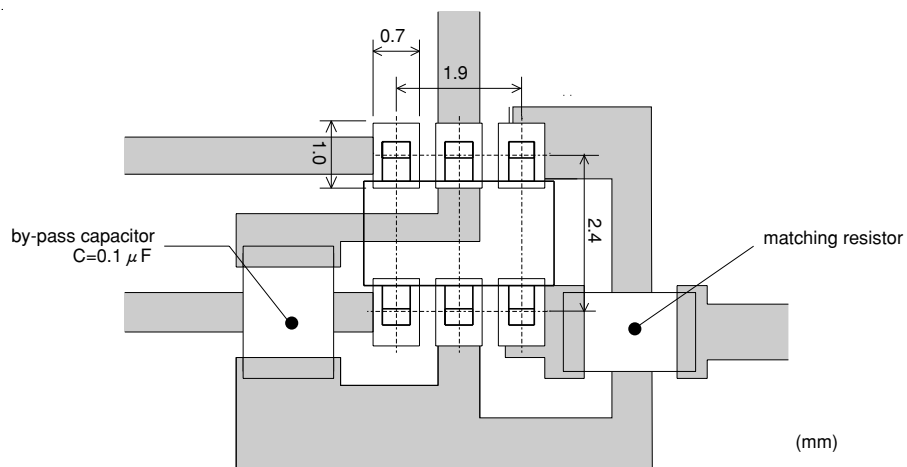
- (1) Please insert a by-pass capacitor of 0.1μF.
- (2) Rq0 and Rq1 are matching resistors. Their use is recommended in order to counter unwanted radiations.
- (3) Please place a by-pass capacitor and matching resistors as close to the IC as possible. It may be that the output cannot be locked if the by-pass capacitor is not close enough to the IC. Further, there is a possibility of unwanted radiation occurrence between the resistor and the IC pin if the matching resistor is not close enough to the IC.
- (4) When selecting GND for the Q1 pin, although the output of Q1 pin is GND level, it is also recommended that the Q1 pin is connected to GND pattern on the PCB.
- (5) When the CE pin is not controlled by external signals, it is recommended that a time constant circuit of $R1=1k\Omega \times C0.1\mu F$ be added for stability.
- (6) With this IC, output is achieved by dividing and multiplying the reference oscillation by means of the PLL circuit. In cases where this output is further used as a reference oscillation of another PLL circuit, it may be that the final output signal's jitter increases, so all necessary precautions should be taken to avoid this.
- (7) It is recommended that a low noise power supply, such as a series regulator, be used for the supply voltage. Using a power supply such as a switching regulator might lead to a larger jitter which in turn may lead to an inability to lock due to the ripple of the switching regulator.

Reference Land Pattern

- ① Q1 Pin - reference oscillation, reference oscillation/2, comparative frequency.

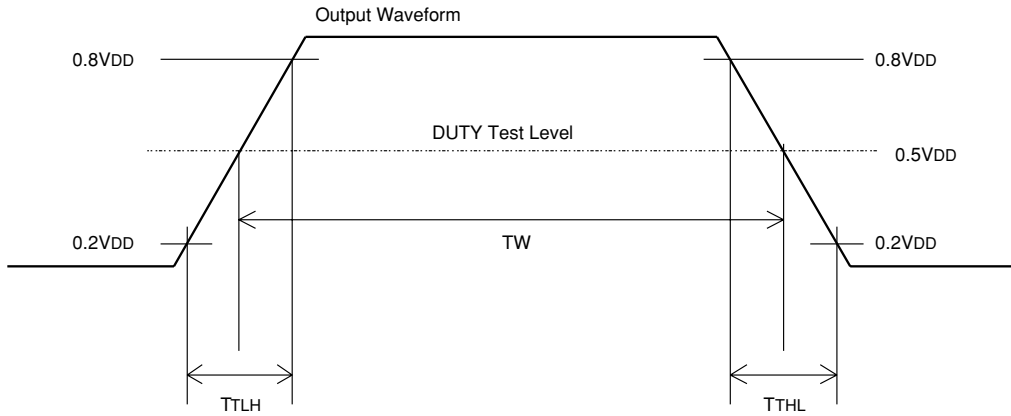


- ② Q1 Pin - GND

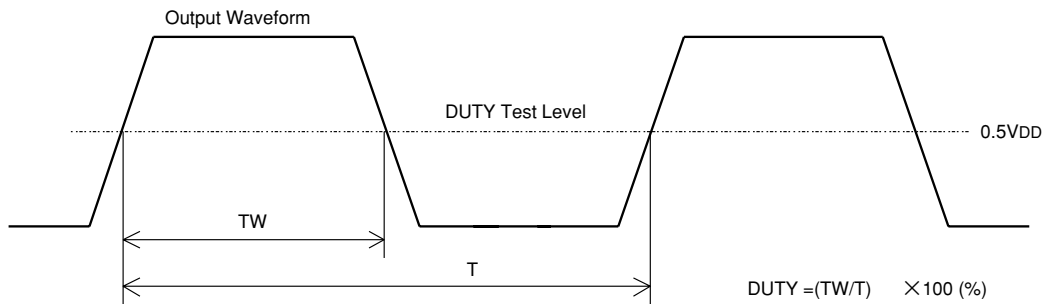


AC Characteristic Waveforms

1) Output Rise Time / Output Fall Time



2) Duty Ratio



3) Output Start Time

