

YAMAHA LSI

YSD917

DIR5

Digital Audio Interface Receiver 5

■ Outline

YSD917 is an LSI that receives and demodulates signals with the digital audio interface format that conform to EIAJ CP1201 and IEC958 standards (hereafter referred to as "DAIF signal").

This LSI can be used for various application such as AV amplifiers because it is capable of accepting DAIF signal which sampling frequency ranges from 32 kHz to 96 kHz and the demodulated serial data output is capable of being selected from various formats.

■ Features

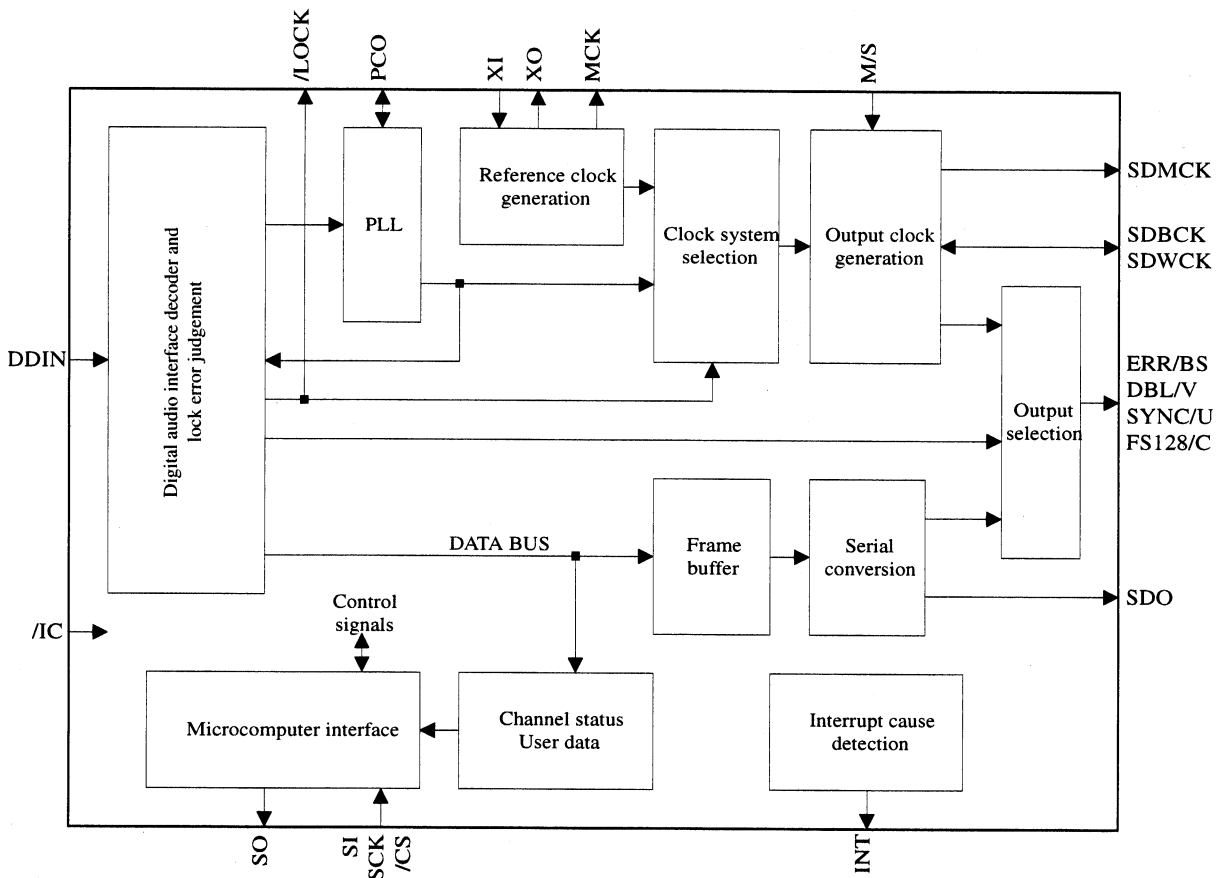
[Fundamental Functions]

- Sampling frequency : Two ranges are available including;
32 kHz to 48 kHz (hereafter referred to as "normal rate") and
64 kHz to 96 kHz (hereafter referred to as "double rate")
- Can select and provide various clocks to peripheral devices such as DAC and ADC as a master clock.
- Can supply clock to ADC and DAC in any case including when DAIF signal is not present.
- The device checks the DAIF signal at all times including when it supplies clock to ADC. Thus, it is capable of reading status information as necessary.
- Has a terminal that outputs a signal indicating the double rate operation.
- Every channel status and user data can be read through the microcomputer interface.
- Has an output terminal for interrupt that informs external devices of the changes of the status information.
- Can be adaptable to various serial data output formats by setting a register.
- The relationship between the word clock and data is maintained at all times including the moment of transfer from PLL unlock to lock or lock to unlock so that the effect of the transfer to peripheral devices is suppressed.
- Two or more devices can be used synchronously when in the slave mode.

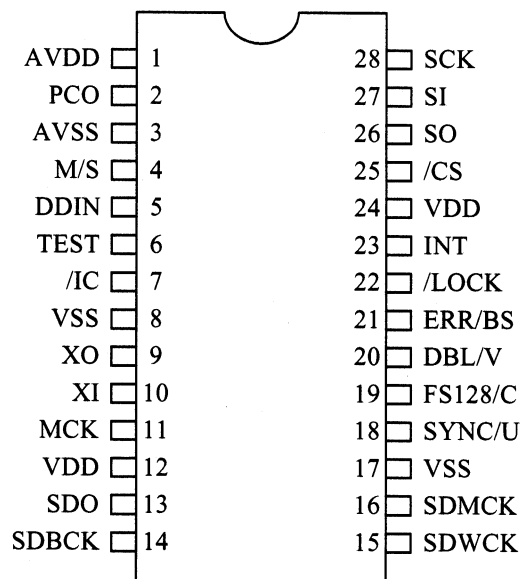
[Other features]

- Microcomputer interface with four wire serial system.
- Internal operating frequency of 25 MHz
- Power down mode
- Single power supply voltage of 5.0 V
- Si-gate CMOS process
- 28 pin SOP package (YSD917-M)

■ Block Diagram



■ Pin Assignment



< 28pin SOP Top View >

■ Terminal Function List

No.	Name	I/O	Function
1	AVDD	-	Analog power supply for PLL (+5V)
2	PCO	A	PLL filter connection terminal
3	AVSS	-	Analog ground
4	M/S	I+	Master/slave mode selection
5	DDIN	Is	Digital audio interface data input
6	TEST	Is+	Test terminal (To be open.)
7	/IC	Is	Initial clear input
8	VSS	-	Ground
9	XO	O	24.576MHz crystal oscillator connection terminal (output)
10	XI	I	24.576MHz crystal oscillator connection terminal (input)
11	MCK	O	12.288MHz clock output
12	VDD	-	+5 V power supply
13	SDO	O	Serial data output
14	SDBCK	Is/O	Serial data bit clock input/output 64 fs
15	SDWCK	I/O	Serial data word clock input/output fs
16	SDMCK	O	Serial data master clock output 256 fs or 128 fs
17	VSS	-	Ground
18	SYNC/U	O	Serial data synchronization timing output / User data output
19	FS128/C	O	Serial data master clock 128 fs output / Channel status output
20	DBL/V	O	Double rate output / Validity flag output
21	ERR/BS	O	Data error detection output / Block start output
22	/LOCK	O	PLL lock detection output
23	INT	O	Interrupt output
24	VDD	-	+5 V power supply
25	/CS	I	Microcomputer interface chip select input
26	SO	Ot	Microcomputer interface data output
27	SI	I	Microcomputer interface data input
28	SCK	Is	Microcomputer interface bit clock input

Note

- Is : Schmitt trigger input terminal
- I+ : Input terminal with pull-up resistor
- O : Digital output terminal
- Ot : Three-state digital output terminal
- A : Analog terminal

For SYNC/U, FS128, DBL/V and ERR/BS, their functions are selected by setting a register.

■ Terminal Function

1. System clock: XI, XO, MCK SDMCK

The crystal oscillator (24.576 MHz) is connected to the terminals XI and XO to form an oscillation circuit.

Use the crystal oscillator of fundamental mode.

When using an external clock, input it to XI terminal.

This LSI supplies a master clock to the peripheral devices such as DAC, ADC and DSP.

MCK outputs the clock of 12.288 MHz (i.e. 256fs when fs=48 kHz) that is obtained by dividing the clock of XI.

For SDMCK, the operation is selected depending on the state of the PLL lock and the setting of a control register.

- When PLL is not locked (/LOCK=H) (1)
SDMCK outputs 12.288 MHz.
- When PLL is locked (/LOCK = L) and register CKMOD = 1 (2)
SDMCK outputs 12.288 MHz.
- When PLL is locked (/LOCK = L) and register CKMOD = 0
SDMCK is selected as follows according to the setting of the register LOCKMOD1-0.

LOCKMOD1	LOCKMOD0	Normal rate	Double rate
0	0	256fs	256fs
0	1	256fs	128fs
1	-	256fs	12.288MHz -(3)

The mode like the above (1) ,(2)and (3) in which the clock of 12.288 MHz that is obtained by dividing the clock of XI is outputted from SDMCK, is referred to as "free-run mode".

In the slave mode, SDMCK is fixed to "L".

2. Initial Clear: /IC

Initializes the internal registers and internal circuit. When the power supply is turned on, this terminal must be set to "L" once.

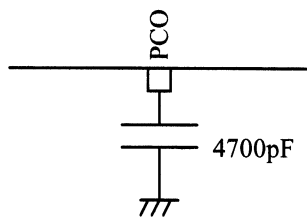
The clocks of MCK, SDMCK, SDBCK, SDWCK, FS128 and SYNC are outputted at all times including when /IC = "L".

3. Digital Audio Interface Input: DDIN

Digital Audio Interface Format signal (DAIF signal) is inputted through this terminal.

4. Analog circuit for PLL: PCO

The capacitor for PLL is connected here. Connect a capacitor of 4700pF between the terminals PCO and AVSS.



5. Serial data interface: SDBCK, SDWCK, FS128, SYNC, SDO

Supplies clocks to the peripheral devices such as DAC, ADC and DSP.

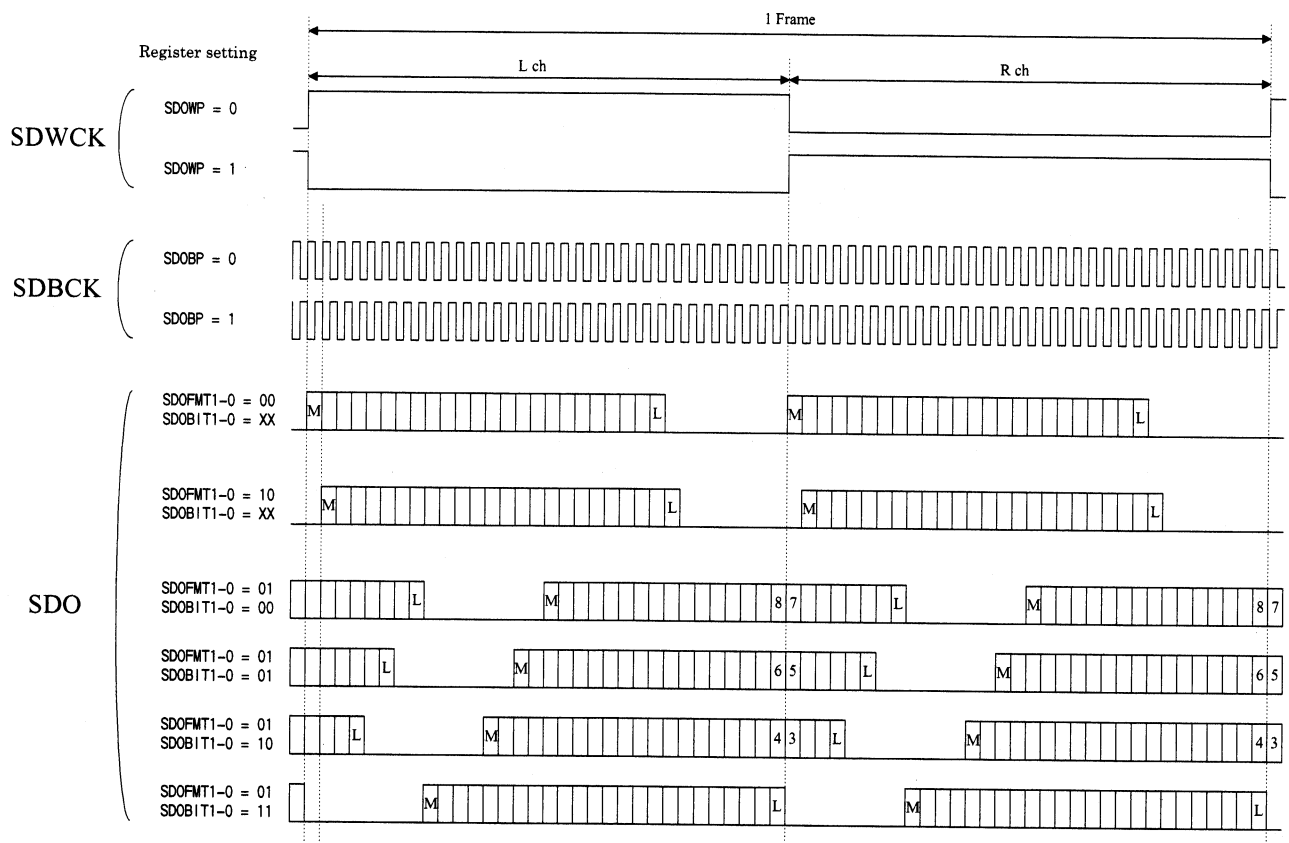
The period of SDBCK, SDWCK and FS128 is obtained as follows by dividing the clock of SDMCK.

- SDBCK ⇒ 64fs
- SDWCK ⇒ fs
- FS128 ⇒ 128fs

In the slave mode, SDBCK and SDWCK are input terminals and FS128 and SYNC are fixed to “L”.

SDO is the demodulated data output of DAIF signal. The data is always 24 bit wide including auxiliary sample bits.

The timing of serial data interface signal can be selected from the following formats by setting a control register.



M : MSB DATA L : LSB DATA

6. Output terminals for channel status and others: BS, V, U, C

The signals obtained from DAIF signal including block start, validity flag, user data and channel status are outputted through BS, V, U and C terminals respectively.

7. Status information monitor terminals: /LOCK, ERR, DBL, INT

/LOCK outputs "L" when PLL is locked to DDIN input.

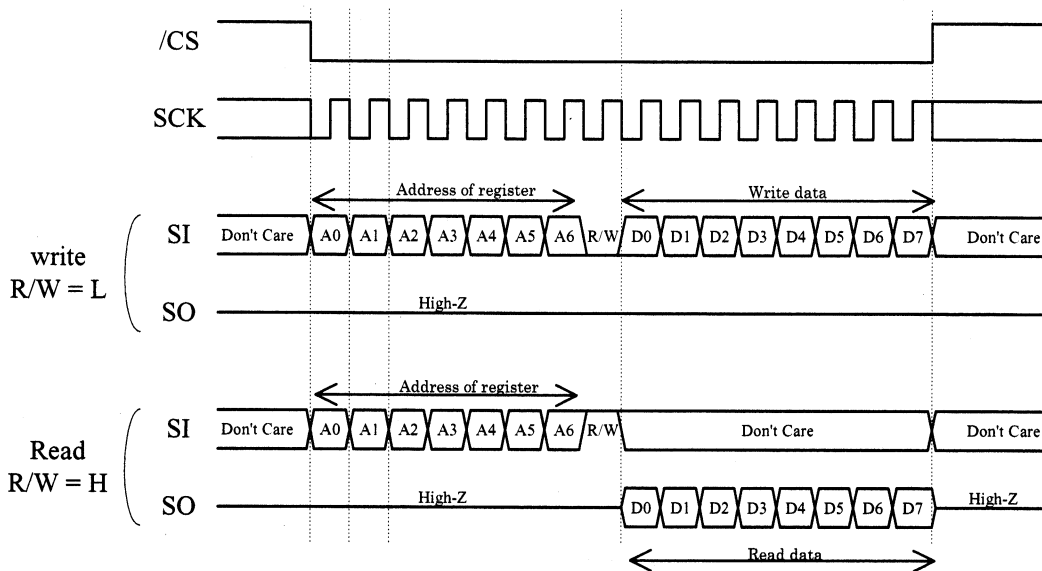
ERR terminal outputs "H" when PLL is not locked to DDIN input or if a parity error is detected.

DBL outputs "H" when PLL is locked at double rate ($f_s = 64$ to 96 kHz) and when this device is not in free-run mode. It outputs "L" when PLL is locked at normal rate ($f_s = 32$ to 48 kHz) or when this device is in free-run mode.

INT outputs "H" when the cause of an interrupt is detected.

8. Serial microcomputer interface: /CS, SCK, SI, SO

This is a four wire serial interface for reading or writing the control registers.



SO becomes an output terminal only when all of the following conditions are met.

- /CS = L
- When reading the valid addresses
- Timing of 8 bits data output

If any of the above condition is not met, SO outputs High-Z. Thus SO, SI and SCK can be used jointly with other devices that has the similar interface.

The microcomputer interface functions at all times including power down mode.

9. Other terminals: M/S, TEST

M/S selects the master or slave mode when two or more of this LSI are used.

When this terminal is open or connected with VDD, this device operates in master mode, or in slave mode when connected with VSS.

TEST is a terminal for testing the LSI. Keep it open when using this device.

■ Electrical Characteristics

1. Absolute maximum ratings

Item	Symbol	Conditions	Min.	Max.	Unit
Supply voltage	VDD AVDD		$V_{SS}-0.5$	$V_{SS}+7.0$	V
Input voltage	V _I		-0.5	$V_{DD}+0.5$	V
Storage temperature	T _{stg}		-50	125	°C

2. Recommended operating conditions

Item	Symbol	Conditions	Min.	Typ.	Max.	Unit
Supply voltage	VDD AVDD		4.75	5.0	5.25	V
Operating temperature	T _{op}		0	25	70	°C
XI clock frequency	f _{xin}			24.576		MHz

3. DC characteristics

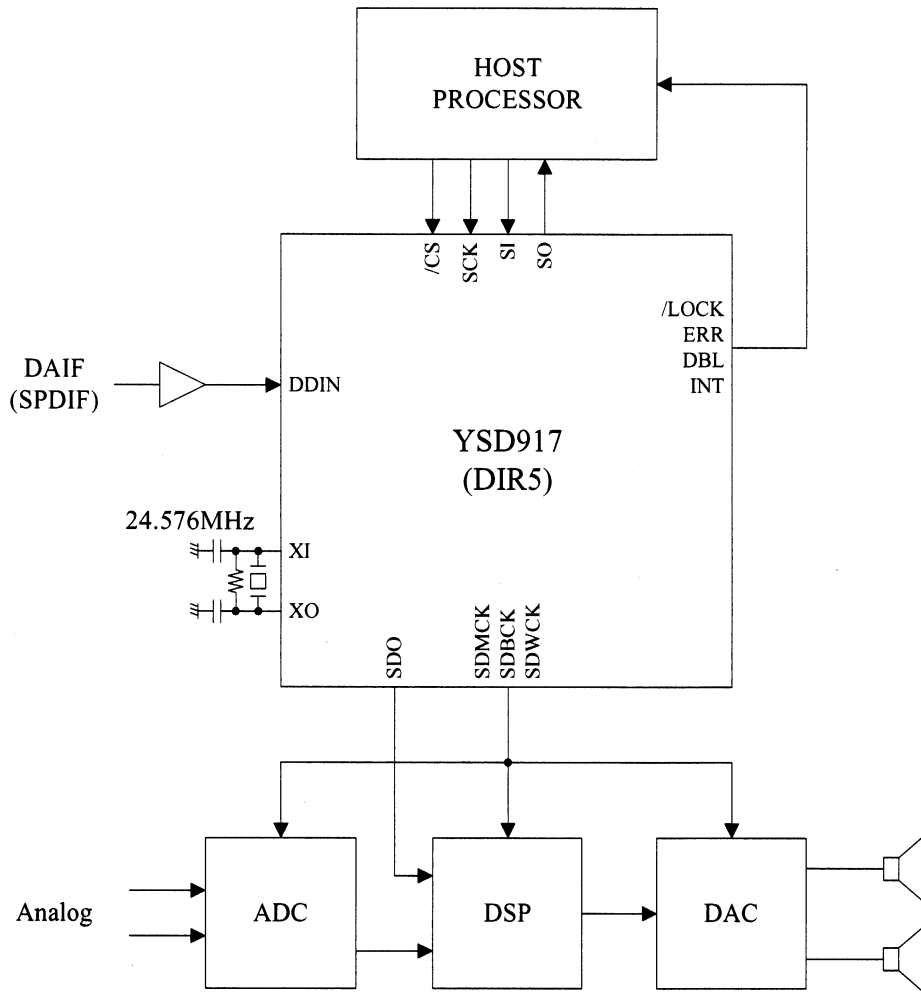
Condition: Under recommended operating conditions

Item	Symbol	Conditions	Min.	Typ.	Max.	Unit
H level input voltage (1)	V _{IH1}	*1	0.7V _{DD}			V
H level input voltage (2)	V _{IH2}	*2	2.2			V
L level input voltage (1)	V _{IL1}	*1			0.3V _{DD}	V
L level input voltage (2)	V _{IL2}	*2			0.8	V
H level output voltage	V _{OH}	I _{OH} = -80μA	V _{DD} -1.0			V
L level output voltage	V _{OL}	I _{OL} = 1.6 mA			0.4	V
Input leakage current	I _{LI}	Terminal without pull up resistor	-10		10	μA
Pull up resistor	R _U		25		100	kΩ
Power consumption	P _D	Locked at 96kHz.		120	150	mW

*1 : Applies to input terminals of XI, DDIN, /IC and M/S.

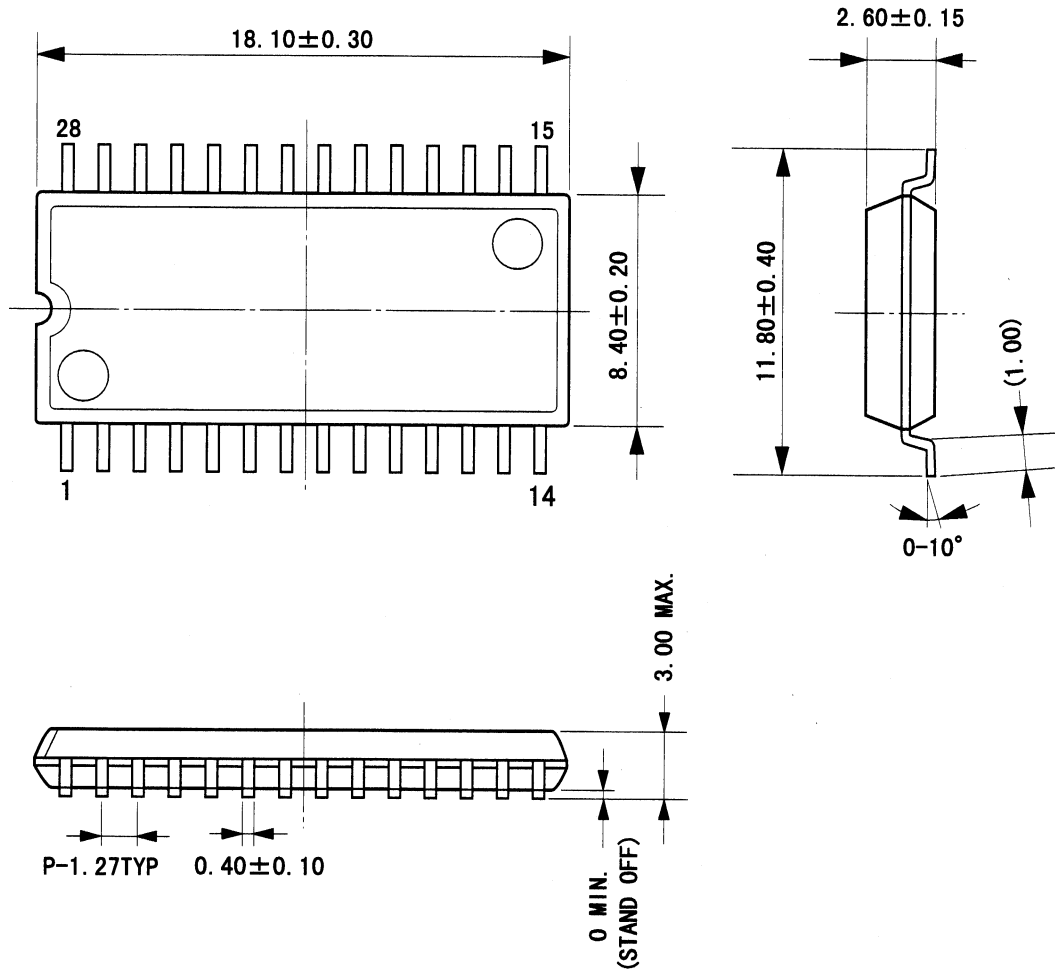
*2 : Applies to input terminals other than the above.

■ Example of System Configuration



External Dimensions of Package

C-PK28MP-1



端子厚さ : 0.15 ± 0.10
(LEAD THICKNESS)

カッコ内の寸法値は参考値とする
単位 (UNIT) : mm (millimeters)

The figure in the parenthesis ()
should be used as a reference.
UNIT: mm

IMPORTANT NOTICE

1. Yamaha reserves the right to make changes to its Products and to this document without notice. The information contained in this document has been carefully checked and is believed to be reliable. However, Yamaha assumes no responsibilities for inaccuracies and makes no commitment to update or to keep current the information contained in this document.

2. These Yamaha Products are designed only for commercial and normal industrial applications, and are not suitable for other uses, such as medical life support equipment, nuclear facilities, critical care equipment or any other application the failure of which could lead to death, personal injury or environmental or property damage. Use of the Products in any such application is at the customer's sole risk and expense.

3. YAMAHA ASSUMES NO LIABILITY FOR INCIDENTAL, CONSEQUENTIAL, OR SPECIAL DAMAGES OR INJURY THAT MAY RESULT FROM MISAPPLICATION OR IMPROPER USE OR OPERATION OF THE PRODUCTS.

4. YAMAHA MAKES NO WARRANTY OR REPRESENTATION THAT THE PRODUCTS ARE SUBJECT TO INTELLECTUAL PROPERTY LICENSE FROM YAMAHA OR ANY THIRD PARTY, AND YAMAHA MAKES NO WARRANTY OR REPRESENTATION OF NON-INFRINGEMENT WITH RESPECT TO THE PRODUCTS. YAMAHA SPECIALLY EXCLUDES ANY LIABILITY TO THE CUSTOMER OR ANY THIRD PARTY ARISING FROM OR RELATED TO THE PRODUCTS' INFRINGEMENT OF ANY THIRD PARTY'S INTELLECTUAL PROPERTY RIGHTS, INCLUDING THE PATENT, COPYRIGHT, TRADEMARK OR TRADE SECRET RIGHTS OF ANY THIRD PARTY.

5. EXAMPLES OF USE DESCRIBED HEREIN ARE MERELY TO INDICATE THE CHARACTERISTICS AND PERFORMANCE OF YAMAHA PRODUCTS. YAMAHA ASSUMES NO RESPONSIBILITY FOR ANY INTELLECTUAL PROPERTY CLAIMS OR OTHER PROBLEMS THAT MAY RESULT FROM APPLICATIONS BASED ON THE EXAMPLES DESCRIBED HEREIN. YAMAHA MAKES NO WARRANTY WITH RESPECT TO THE PRODUCTS, EXPRESS OR IMPLIED, INCLUDING, BUT NOT LIMITED TO THE WARRANTIES OF MERCHANTABILITY, FITNESS FOR A PARTICULAR USE AND TITLE.

The specifications of this product are subject to improvement changes without prior notice.

AGENCY

YAMAHA CORPORATION

Address inquiries to:
Semiconductor Sales & Marketing Department

- **Head Office** 203, Matsunokijima, Toyooka-mura
Iwata-gun, Shizuoka-ken, 438-0192
Tel. +81-539-62-4918 Fax. +81-539-62-5054
- **Tokyo Office** 2-17-11, Takanawa, Minato-ku,
Tokyo, 108-8568
Tel. +81-3-5488-5431 Fax. +81-3-5488-5088
- **Osaka Office** Namba Tsujimoto Nissei Bldg., 4F
1-13-17, Namba Naka, Naniwa-ku,
Osaka City, Osaka, 556-0011
Tel. +81-6-6633-3690 Fax. +81-6-6633-3691
- **U.S.A. Office** YAMAHA Systems Technology
100 Century Center Court, San Jose, CA 95112
Tel. +1-408-467-2300 Fax. +1-408-437-8791