



PRELIMINARY PRODUCT SPECIFICATION

# Z80189/Z8L189

## GENERAL-PURPOSE EMBEDDED CONTROLLERS

### FEATURES

Part	CPU	UART	I/O	Speed (MHz)
Z80189	S180*	16550	24	33
Z8L189	S180*	16550	24	20

- Fully Static Z180™ MPU Core\*
  - On-Chip 1 MByte MMU
  - Two Enhanced UART Channels (up to 512 Kbps)†
  - Two Chain-Linked DMA Channels†
  - x 2 Clock Multiplier
  - Low-Power Consumption Modes
  - Two 16-Bit Timer/Counters
  - Clocked Serial I/O
  - On-Chip Wait State Generator (WSG)
  - On-Chip Interrupt Controller
  - On-Chip Clock Oscillator/Generator
- 16550 Compatible MIMIC Interface
  - 16 mA MIMIC Output Drive Capability

- Com Port Decode
- PC DMA Mailbox Registers
- Host I/O Mailbox
- Programmable Fixed /ROMCS and /RAMCS Boundaries
- 100-Pin QFP and VQFP Packages
- 3.3 and 5.0-Volt Operating Ranges
- 0°C to +70°C Temperature Range

Notes:

† Enhancements from the Discrete S180 device.

### GENERAL DESCRIPTION

The Z80189/Z8L189 are cost-effective modem controllers that address a new generation of data pumps having the HDLC formatting feature. Data pumps of these types do not require an HDLC interface; therefore, the Z80189 does not need the ESCC™. The addition of the PC DMA Mailbox Registers allow DMA data transfer between the PC memory and the modem speaker/microphone CODEC. The Z80189 is a smart peripheral controller chip for modem (in particular V.34 applications), fax, voice messaging, and other communications applications.

The Z80189/Z8L189 consists of an enhanced Z8S180 microprocessor, a 16550 MIMIC with increased MIMIC drive capability for direct connection to the IBM PC, XT, AT bus, and 24 bits of parallel I/O. Current PC modem software compatibility can be maintained with the Z80189's ability to mimic the 16550 UART chip. The Z80180 core is the intelligent controller between the data pump and 16550 MIMIC interface when used in internal applications. This intelligent controller performs the data compression and error correction on outgoing and incoming data.

The integration of COM Port Decode circuitry to the Z80189 allows the MIMIC to be selected for a specific COM Port Address (PC COM Port Address 1-4). COM Port Decode circuitry is simplified by allowing the user to select the MIMIC COM Port addresses through software, in addition to eliminating the need for external circuitry required for COM Port Decode logic.

The PC DMA and I/O Mailbox Interface can be used to provide communication paths between the PC Host and the Z80189. These new communication paths can be used for voice, DTAD, or jumperless COM Port selection.

Notes:

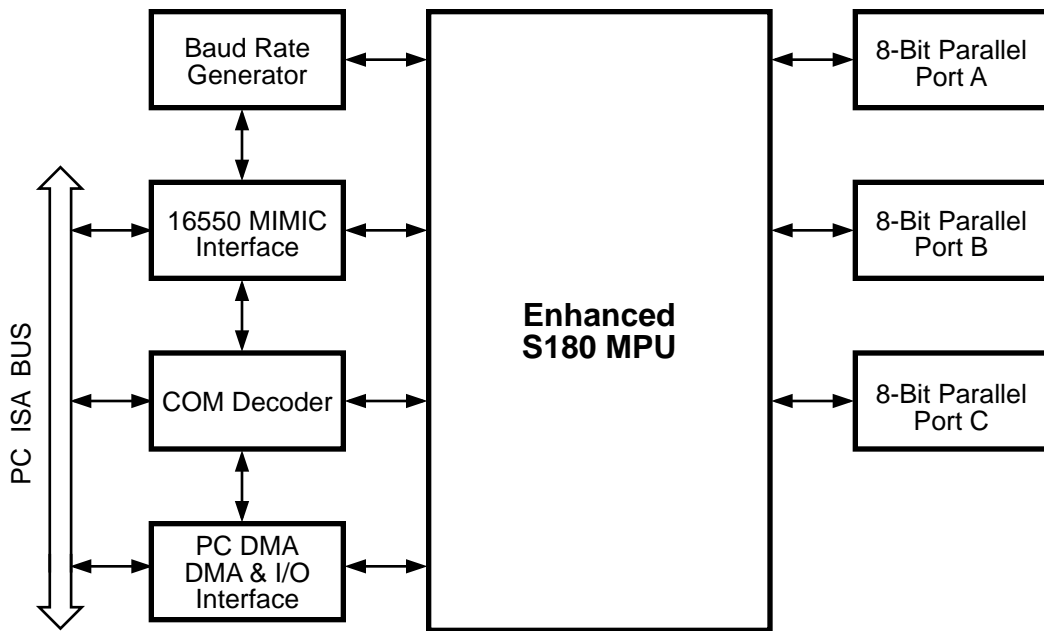
All Signals with a preceding front slash, "/", are active Low, e.g.: B//W (WORD is active Low); /B/W (BYTE is active Low, only).

Power connections follow conventional descriptions below:

Connection	Circuit	Device
Power Ground	V <sub>CC</sub> GND	V <sub>DD</sub> V <sub>SS</sub>

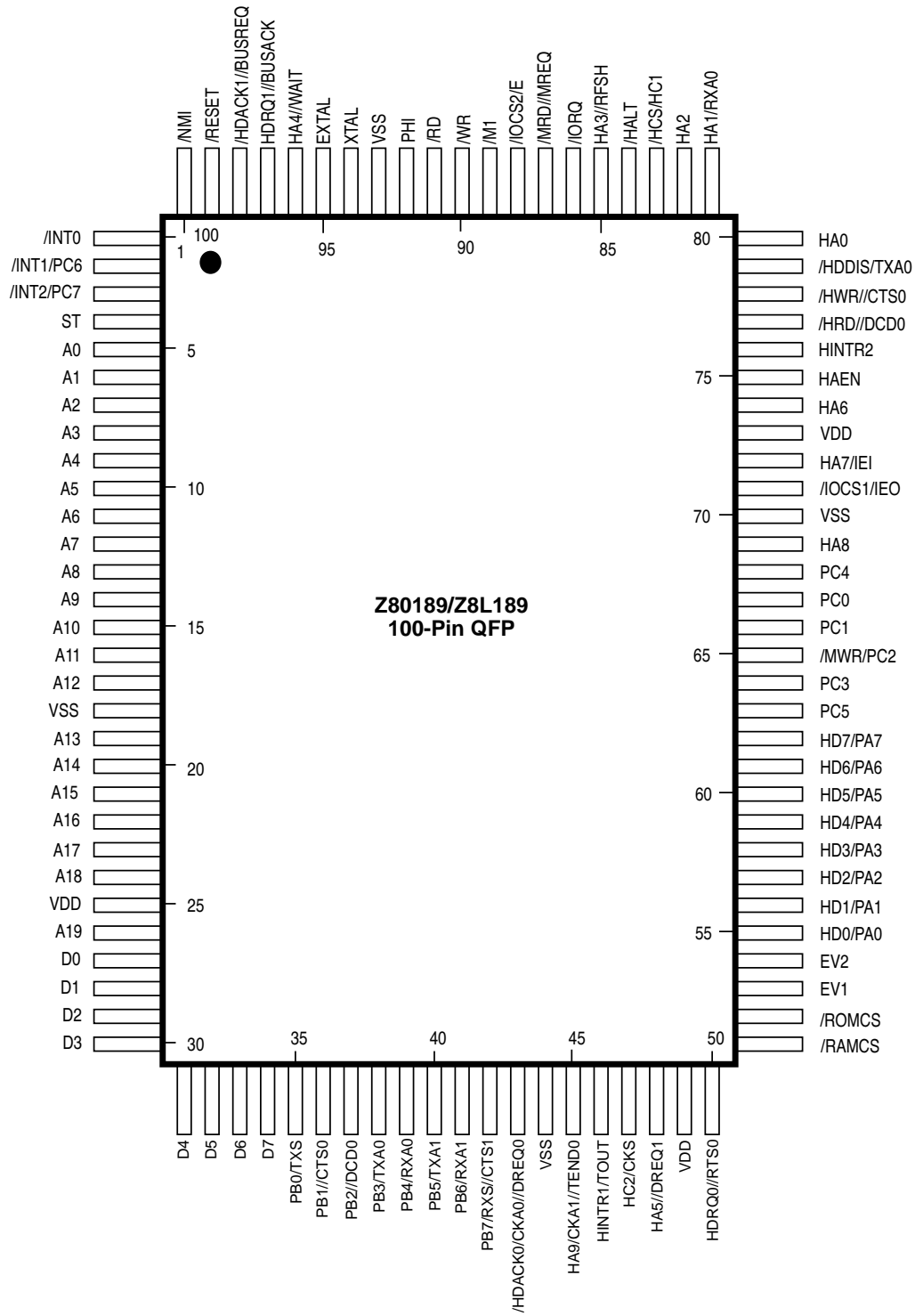


**GENERAL DESCRIPTION** (Continued)



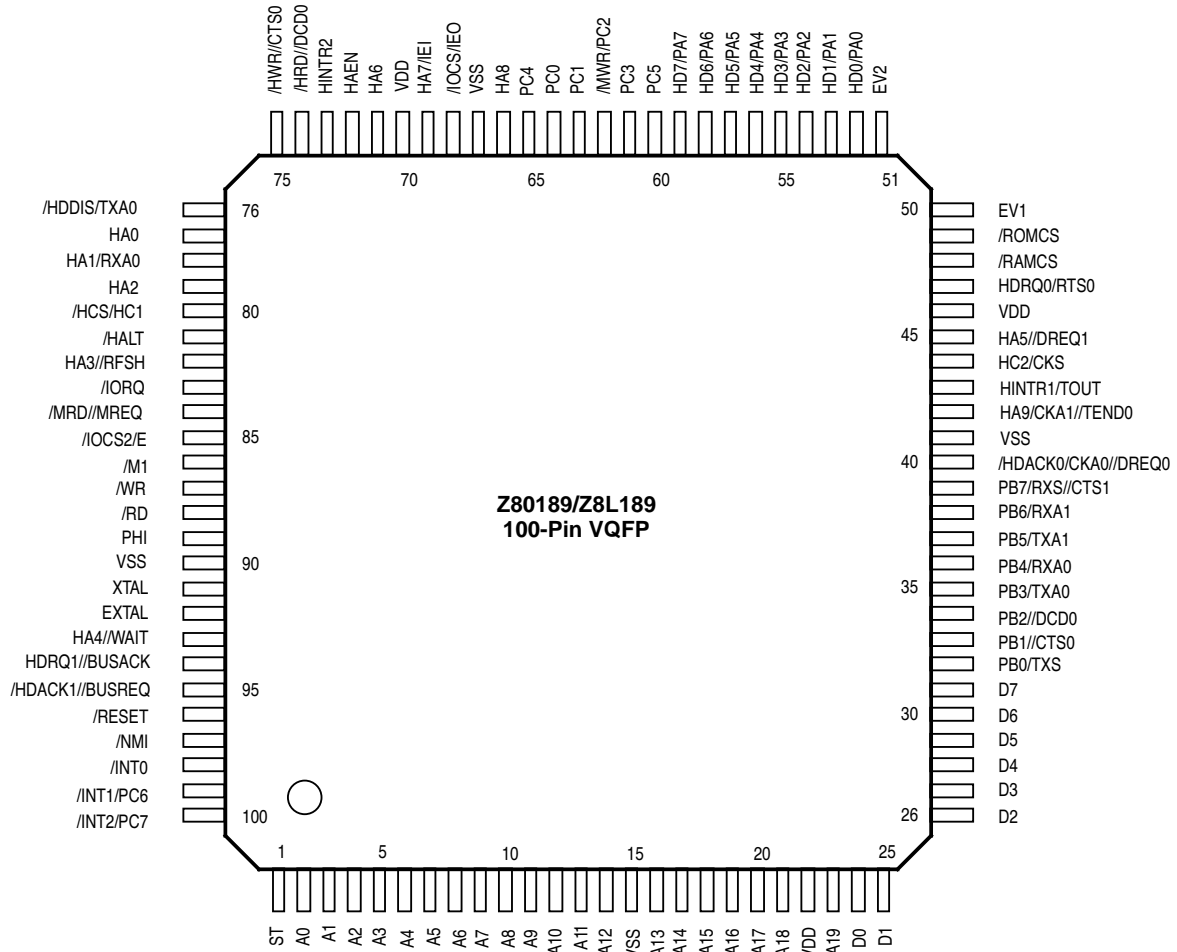
**Figure 1. Z80189 Block Diagram**

**PIN DESCRIPTION**



**Figure 2. Z80189/Z8L189 100-Lead QFP Pin Identification**

**PIN DESCRIPTION** (Continued)



**Figure 3. Z80189/Z8L189 100-Lead VQFP Pin Identification**

## ABSOLUTE MAXIMUM RATINGS

Symbol	Description	Min	Max	Units
$V_{CC}$	Supply Voltage (*)	-0.3	+7.0	V
$V_{IN}$	Input Voltage	-0.3	$V_{CC}+0.3$	V
$T_{OPR}$	Operating Temp.	0	70	°C
$T_{STG}$	Storage Temp.	-55	+150	°C

### Notes:

(\*) Voltage on all pins with respect to GND.

Stresses greater than those listed under Absolute Maximum Ratings may cause permanent damage to the device. This is a stress rating only; operation of the device at any condition above those indicated in the operational sections of these specifications is not implied. Exposure to absolute maximum rating conditions for extended periods may affect device reliability.

## STANDARD TEST CONDITIONS

The DC Characteristics and capacitance sections below apply for the following standard test conditions, unless otherwise noted. All voltages are referenced to GND (0V). Positive current flows into the referenced pin (Test Load).

Available operating temperature range is:  
S=0°C to 70°C

Voltage Supply Range:  
 $+4.5V \leq V_{CC} \leq +5.5V$   
 $+3.0V \leq V_{CC} \leq +3.6V$

All AC parameters assume a load capacitance of 50 pF. Add 10 ns delay for each 50 pF increase in load up to a maximum of 150 pF for the data bus and 100 pF for address and control lines. AC timing measurements are referenced to 1.5 volts (except for clock, which is referenced to the 10% and 90% points). Maximum capacitive load for PHI is 125 pF.

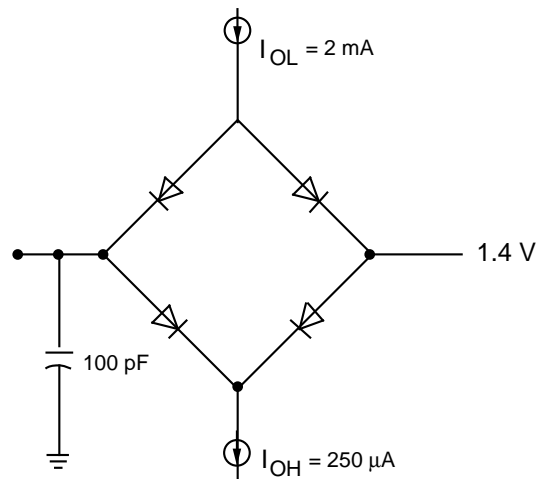


Figure 4. Test Load Diagram

**DC CHARACTERISTICS**

Z80189

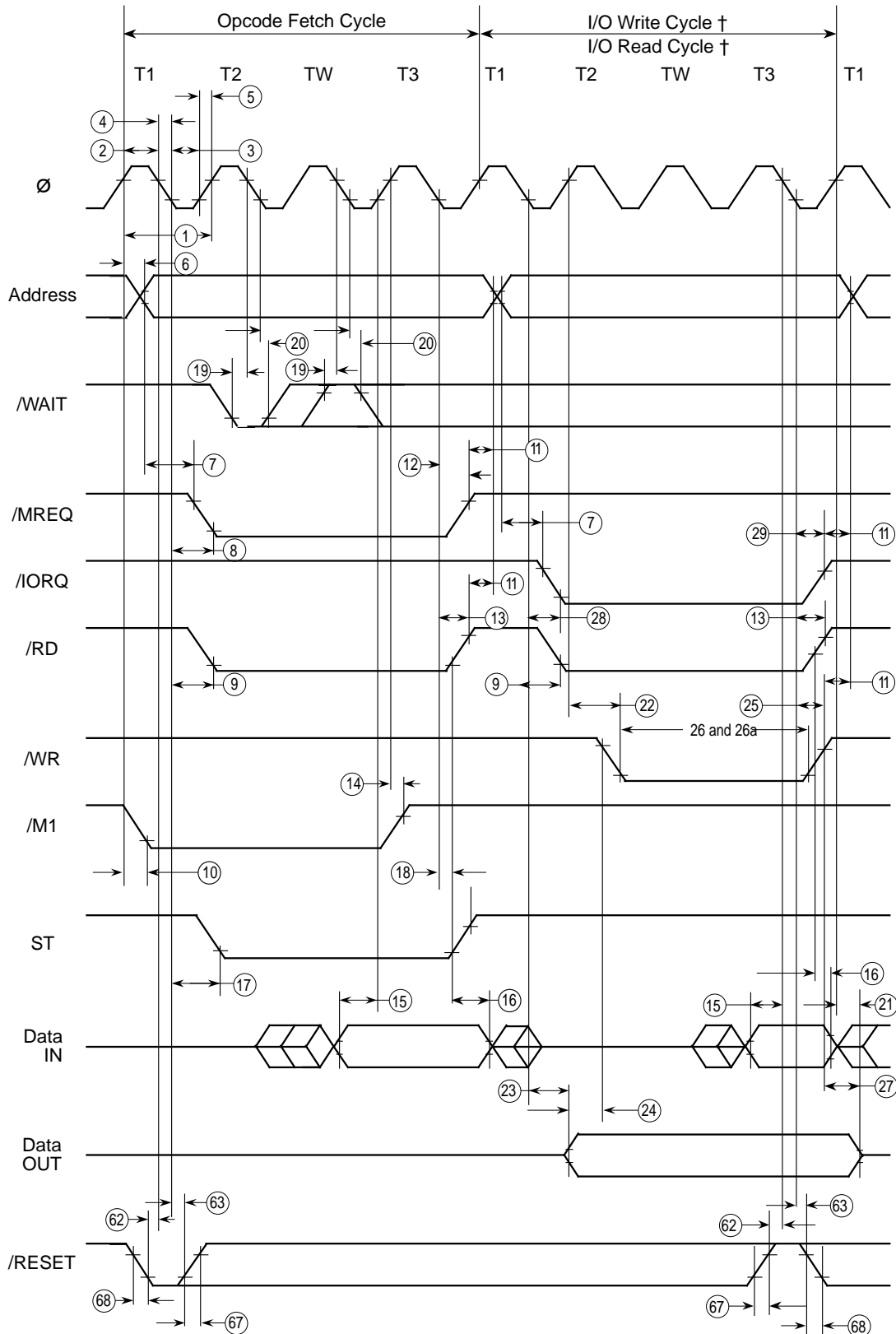
(V<sub>CC</sub> = 5.0V ± 10% or V<sub>CC</sub> = 3.3v ± 10%, over specified temperature range unless otherwise noted.)

Symbol	Parameter	Min	Typ	Max	Unit	Condition
V <sub>IH1</sub>	Input H Voltage RESET, EXTAL, NMI, INT0, INT1, INT2	V <sub>CC</sub> - 0.6		V <sub>CC</sub> + 0.3	V	
V <sub>IH2</sub>	Input H Voltage Except RESET, EXTAL, NMI, INT0, INT1, INT2	2.0		V <sub>CC</sub> + 0.3	V	
V <sub>IL1</sub>	Input L Voltage RESET, EXTAL, NMI, INT0, INT1, INT2	-0.3		0.6	V	
V <sub>IL2</sub>	Input L Voltage Except RESET, EXTAL, NMI, INT0, INT1, INT2	-0.3		0.8	V	
V <sub>OH1</sub>	Output H Voltage All outputs	2.4			V	I <sub>OH</sub> = -200 μA
V <sub>OH2</sub>	Output H PHI	V <sub>CC</sub> - 0.6			V	I <sub>OH</sub> = -200 μA
V <sub>OL1</sub>	Output L Voltage All outputs			0.40	V	I <sub>OL</sub> = 2.2 mA
V <sub>OL2</sub>	Output L PHI			0.40	V	I <sub>OL</sub> = 2.2 mA
V <sub>OH</sub>	All MIMIC Outputs	2.4			V	I <sub>OH</sub> = 16 mA, **
V <sub>OL</sub>	All MIMIC Outputs			0.4	V	I <sub>OL</sub> = 16 mA, **
V <sub>OH</sub>	All MIMIC Outputs	2.4			V	I <sub>OH</sub> = 8 mA, V <sub>CC</sub> = 3.3 V**
V <sub>OL</sub>	All MIMIC Outputs			0.4	V	I <sub>OL</sub> = 8 mA, V <sub>CC</sub> = 3.3 V**
I <sub>IL</sub>	Input Leakage Current All Inputs Except XTAL, EXTAL			10	μA	V <sub>IN</sub> = 0 to V <sub>CC</sub> 5
I <sub>TL</sub>	Tri-State Leakage Current			10	μA	V <sub>IN</sub> = 0 to V <sub>CC</sub> 5
I <sub>CC</sub> *	Power Dissipation* Normal Operation		18 80	30 120	mA mA	f = 20 MHz, 3.3v f = 33 MHz, 5v
I <sub>CC</sub> *	Power Dissipation* (System STOP Mode)		1.8 6	3.6 9	mA mA	f = 20 MHz, 3.3v f = 33 MHz, 5v
I <sub>CC</sub> *	Power Dissipation (Standby Mode)		15	50	μA	

**Notes:**\* V<sub>IH</sub> Min = V<sub>CC</sub> - 1.0 V, V<sub>IL</sub> Max = 0.8 V (all output terminals are at no load).

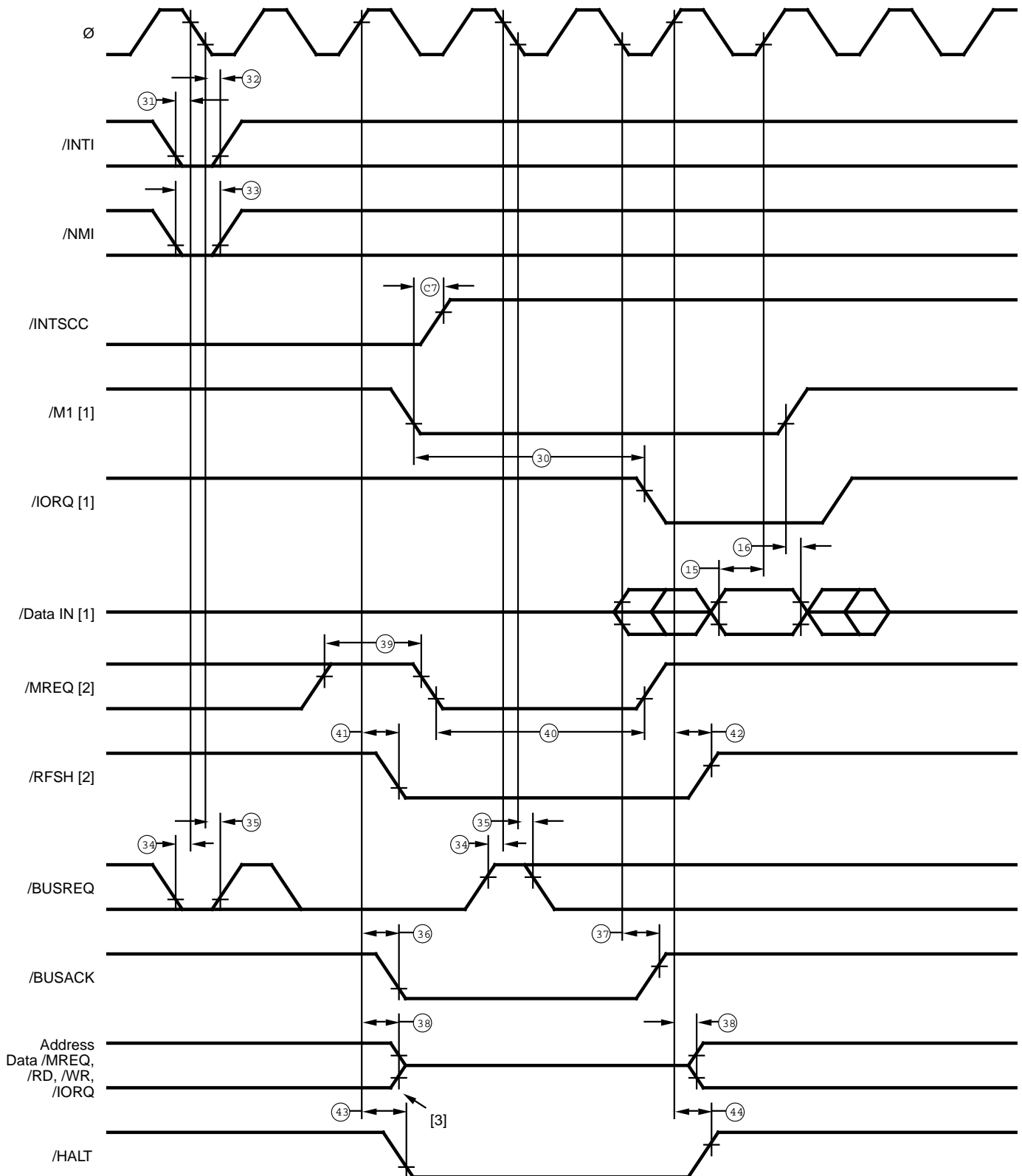
\*\* Total loading current in or out of the Z189 cannot exceed 150 mA from pins 41 to 70.

**TIMING DIAGRAMS**



**Figure 5. CPU Timing**  
(Opcode Fetch Cycle, Memory Read/Write Cycle I/O Read/Write Cycle)

**TIMING DIAGRAMS** (Continued)

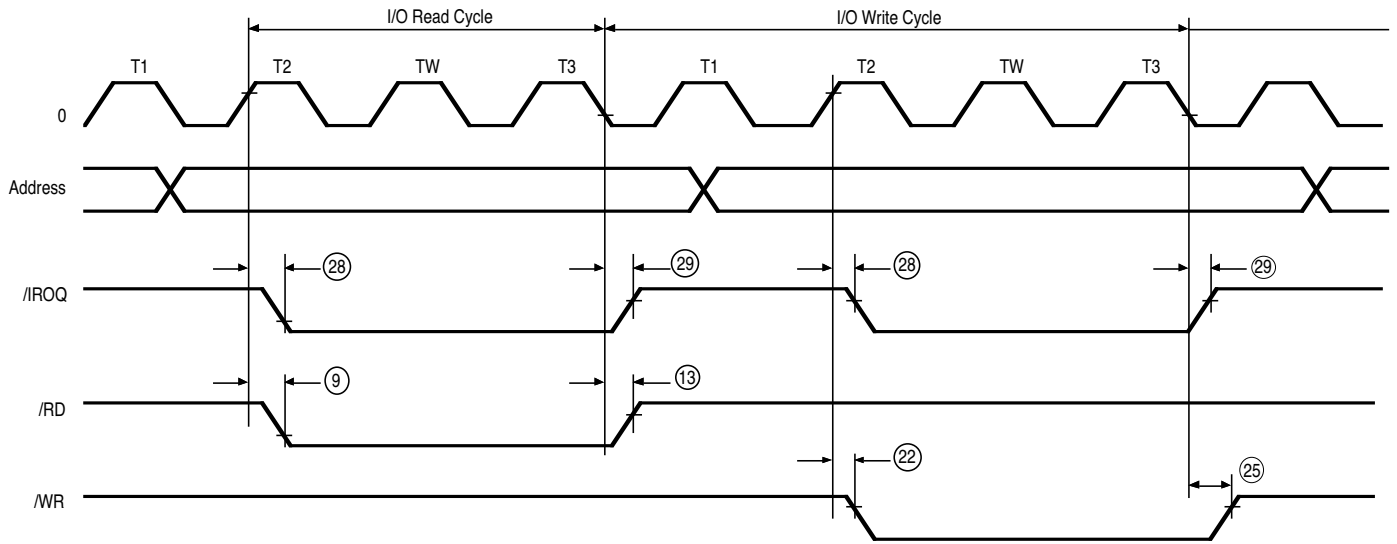


Notes:  
 [1] During  $\overline{/INT0}$  acknowledge cycle [3] Output buffer is off at this point  
 [2] During refresh cycle

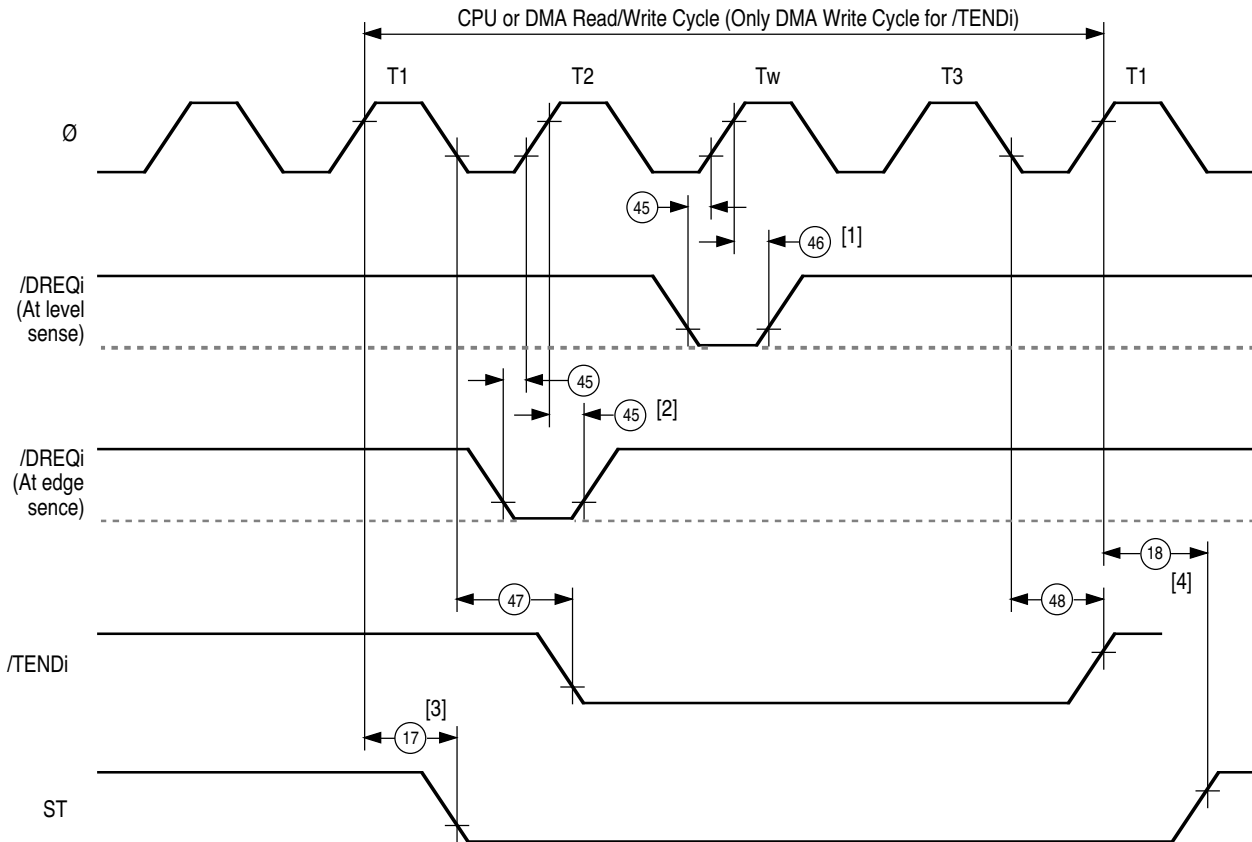
**Figure 6. CPU Timing**  
 ( $\overline{/INT0}$  Acknowledge Cycle, Refresh Cycle, BUS RELEASE Mode  
 HALT Mode, SLEEP Mode, SYSTEM STOP Mode)



**TIMING DIAGRAMS** (Continued)



**Figure 7. CPU Timing**

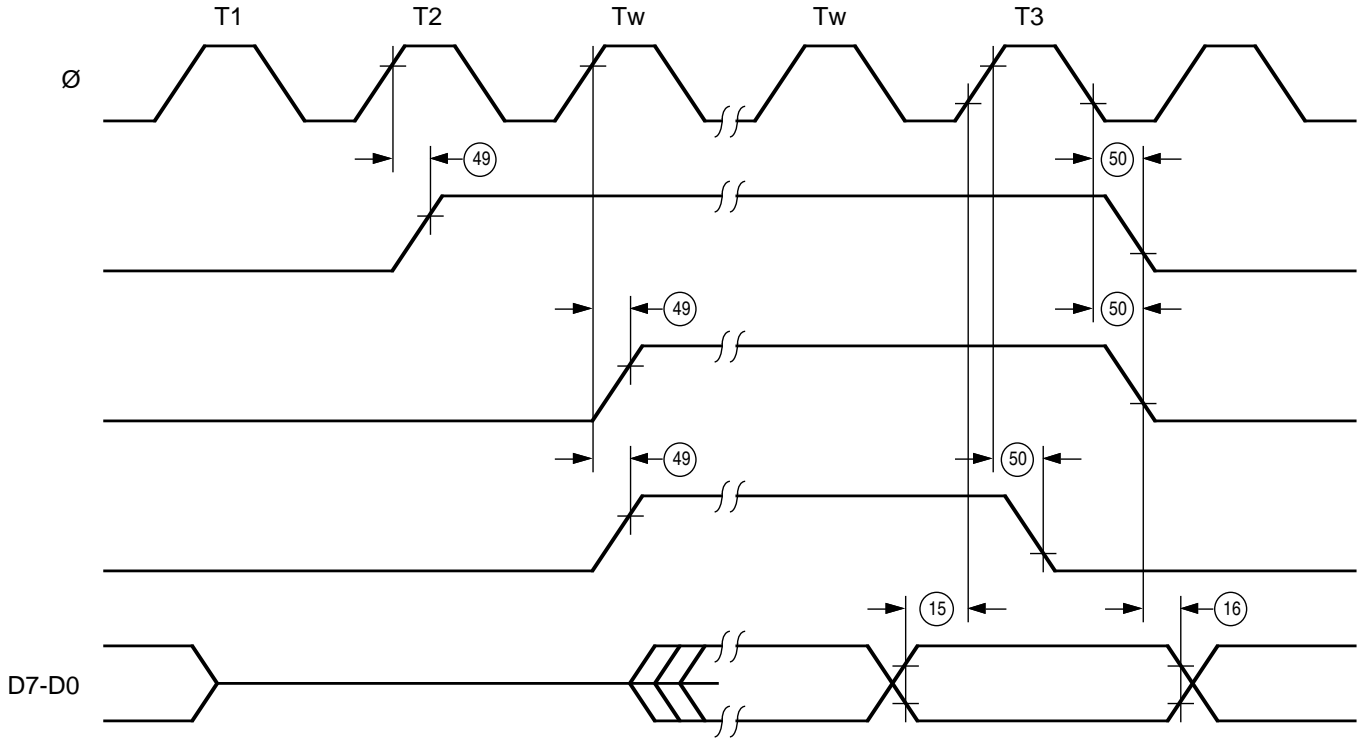


**DMA Control Signals**

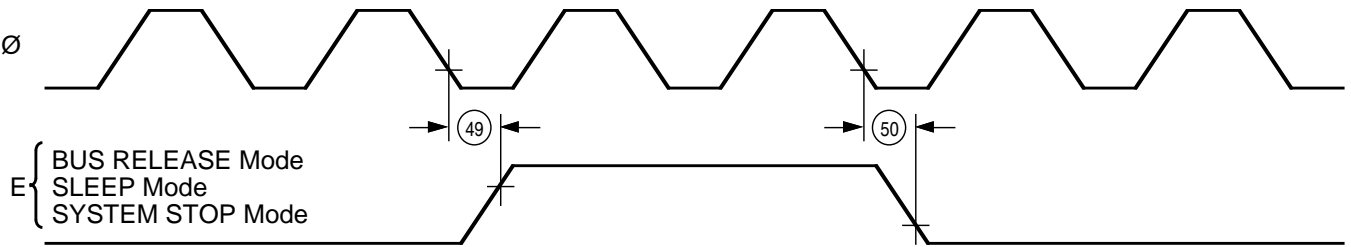
- [1] tDRQS and tDRQH are specified for the rising edge of clock followed by T3.
- [2] tDRQS and tDRQH are specified for the rising edge of clock.
- [3] DMA cycle starts.
- [4] CPU cycle starts.

**Figure 8. DMA Control Signals**

**TIMING DIAGRAMS** (Continued)

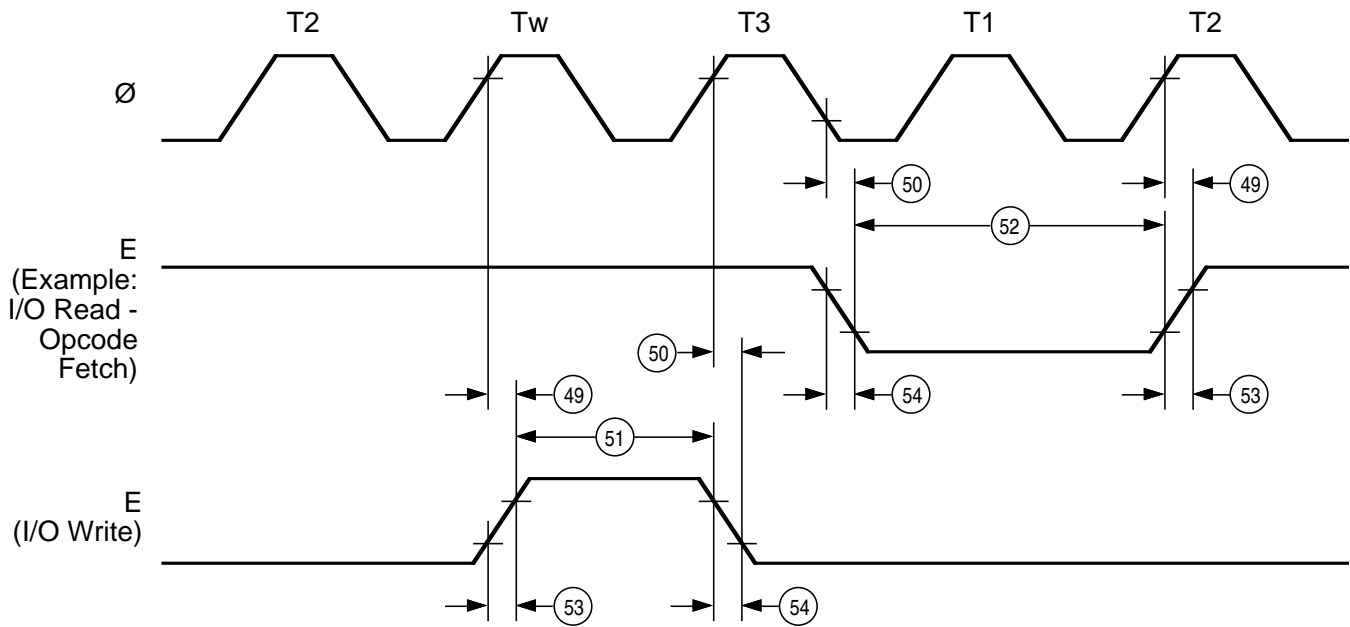


**Figure 9. E Clock Timing**  
(Memory Read/Write Cycle  
I/O Read/Write Cycle)

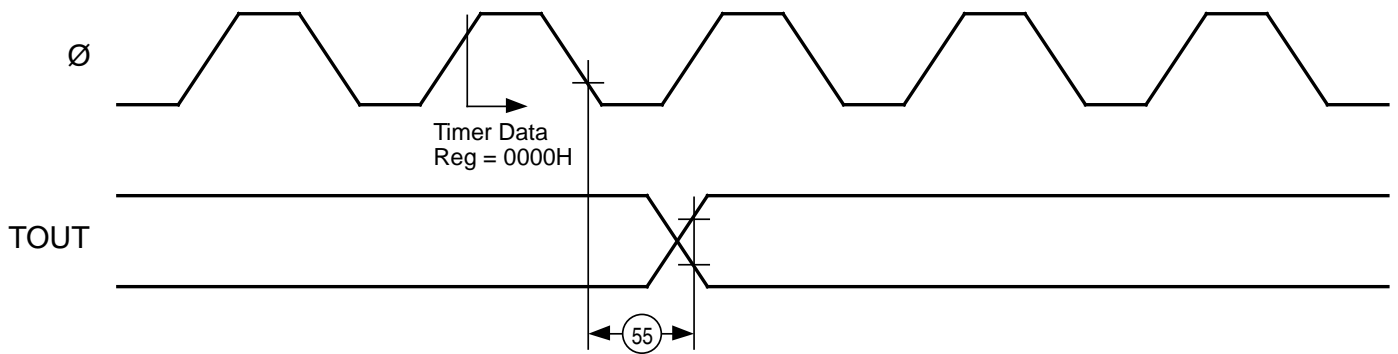


**Figure 10. E Clock Timing**

**TIMING DIAGRAMS** (Continued)

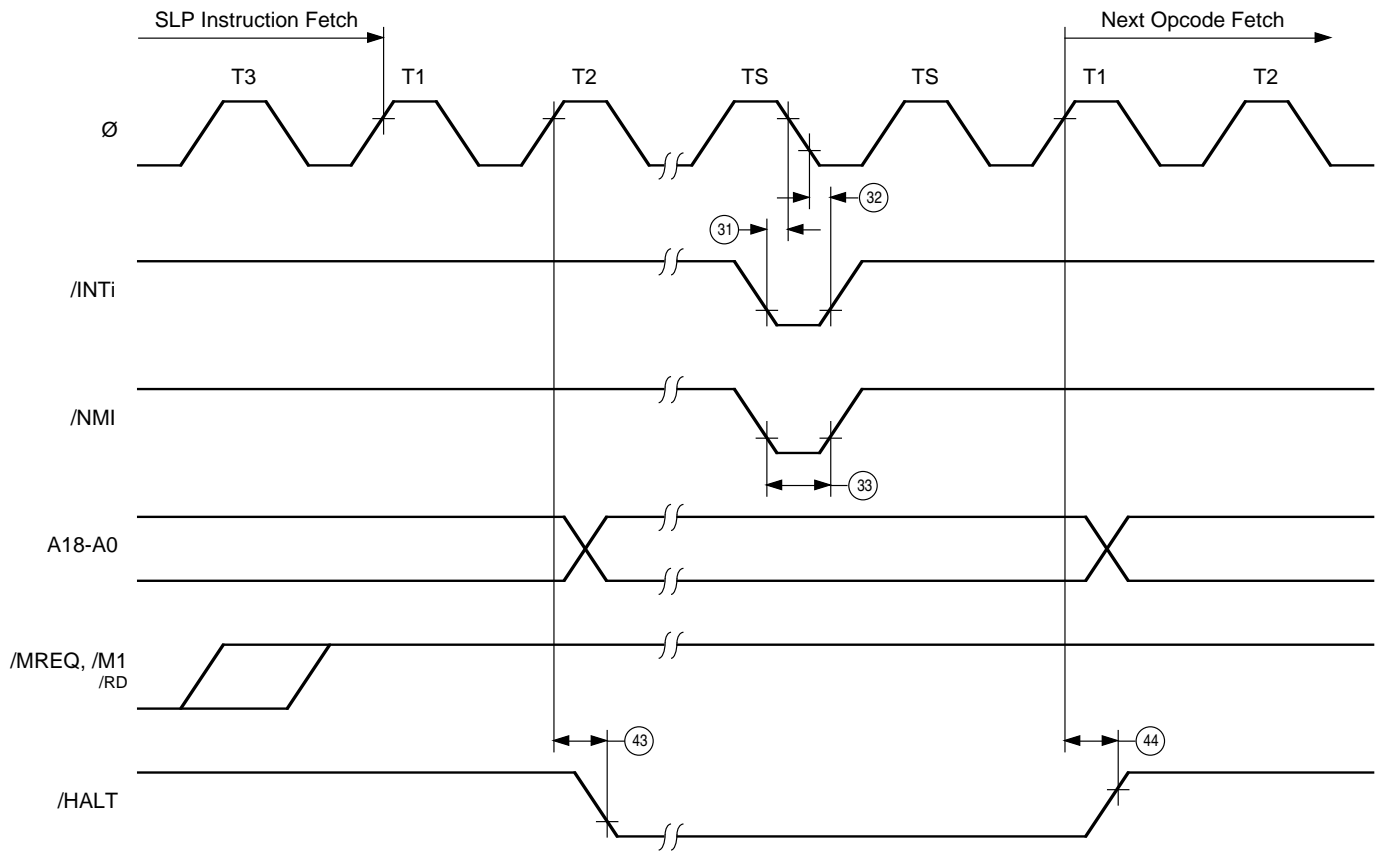


**Figure 11. E Clock Timing**  
(Minimum timing example of PWEL and PWEH)



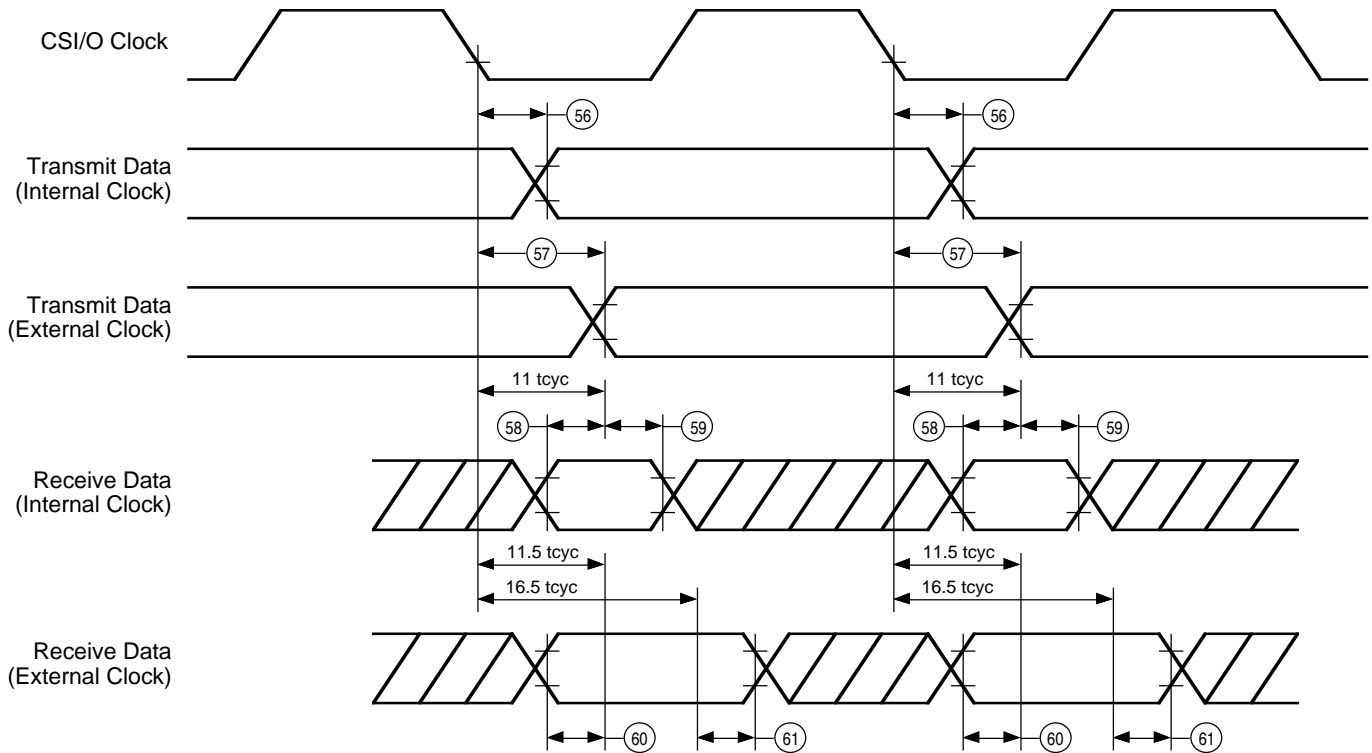
**Figure 12. Timer Output Timing**

**TIMING DIAGRAMS** (Continued)

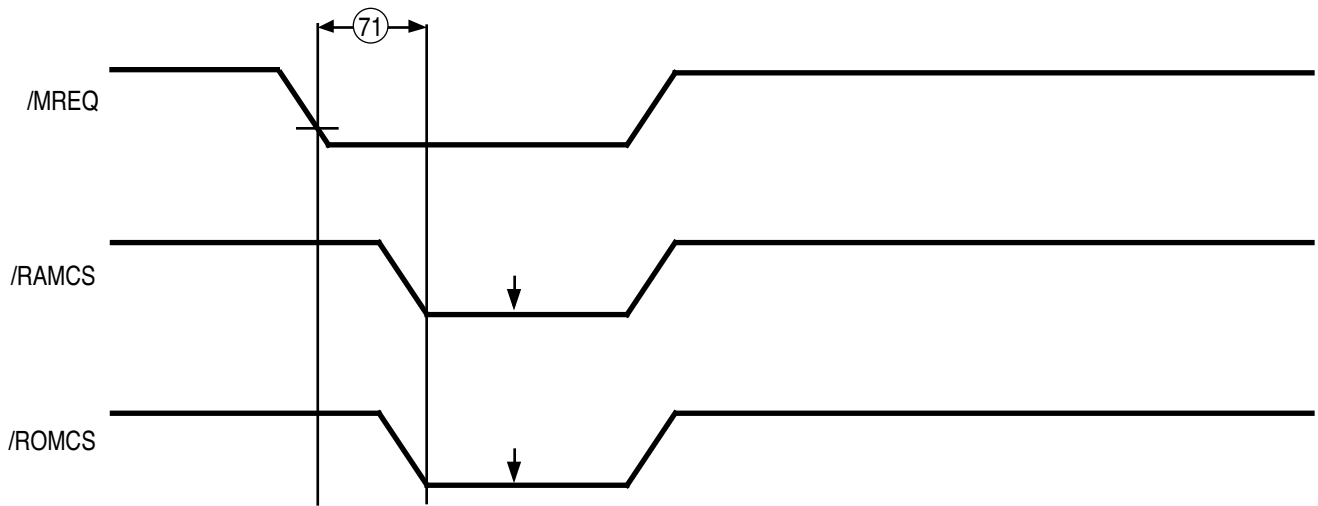


**Figure 13. SLEEP Execution Cycle**

**TIMING DIAGRAMS** (Continued)

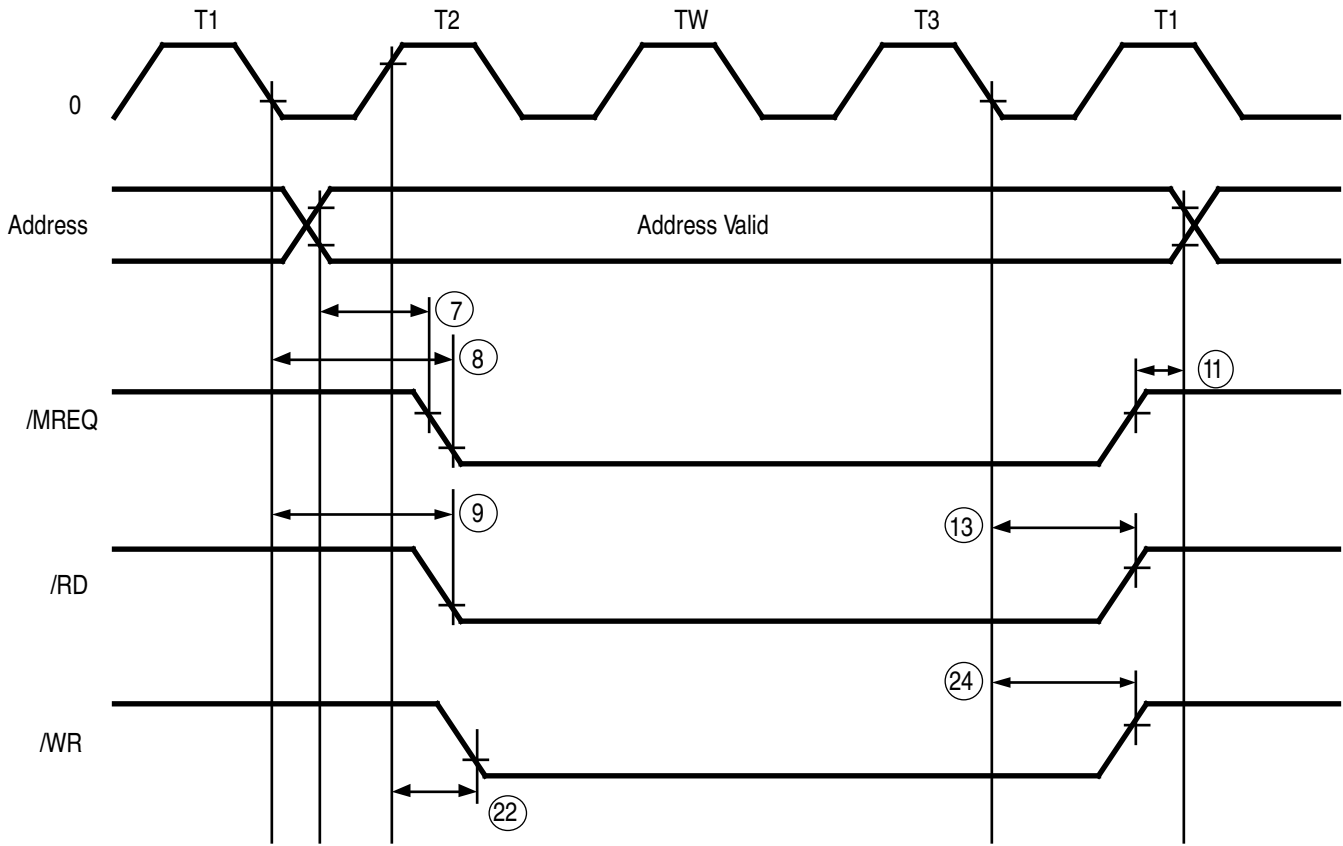


**Figure 14. CSI/O Receive/Transmit Timing**

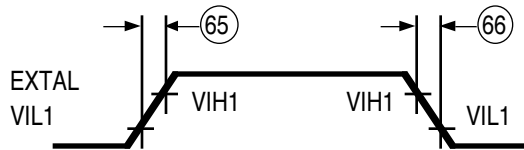


**Figure 15. /ROMCS and /RAMCS Timing**

**TIMING DIAGRAMS** (Continued)



**Figure 16. /MWR and /MRD Timing**



**Figure 17. External Clock Rise Time and Fall Time**



**Figure 18. Input Rise and Fall Time**  
(Except EXTAL, /RESET)

**AC CHARACTERISTICS**

( $V_{CC} = 5V \pm 10\%$  or  $V_{CC} = 3.3V \pm 10\%$ , over specified temperature range unless otherwise noted  
33 MHz Characteristics Apply Only to 5V Operation.)

No	Sym	Parameter	Z8L189-20 MHz		Z80189-33 MHz		Unit	Notes
			Min	Max	Min	Max		
1	t <sub>cy</sub>	Clock Cycle Time	50	2000	33	2000	ns	[1]
2	t <sub>CHW</sub>	Clock H Pulse Width	15		10		ns	[1]
3	t <sub>CLW</sub>	Clock L Pulse Width	15		10		ns	[1]
4	t <sub>cf</sub>	Clock Fall Time		10		5	ns	[1]
5	t <sub>cr</sub>	Clock Rise Time		10		5	ns	[1]
6	t <sub>AD</sub>	/PHI to Address Valid		15		15	ns	
7	t <sub>AS</sub>	Address Valid to /MREQ, /IRQ	5		5		ns	
8	t <sub>MED1</sub>	/PHI to /MREQ Delay		3		3	ns	[3]
9	t <sub>RDD1</sub>	/PHI to /RD Delay (IOC=1)		25		15	ns	
		/PHI to /RD Delay (IOC=0)		25		15	ns	
10	t <sub>M1D1</sub>	/PHI to /M1 Delay		35		15	ns	
11	t <sub>AH</sub>	Address Hold Time from (MREQ, IOREQ, RD, WR)	5		5		ns	
12	t <sub>MED2</sub>	/PHI to /MREQ Delay		25		15	ns	
13	t <sub>RDD2</sub>	/PHI to /RD Delay		25		15	ns	
14	t <sub>M1D2</sub>	/PHI to /M1 Delay		40		15	ns	
15	t <sub>DRS</sub>	Data Read Setup Time	10		10		ns	[3]
16	t <sub>DRH</sub>	Data Read Hold Time	0		0		ns	
17	t <sub>STD1</sub>	/PHI to /ST Delay		30		15	ns	
18	t <sub>STD2</sub>	/PHI to /ST Delay		30		15	ns	
19	t <sub>WS</sub>	WAIT Setup Time to /PHI	15		10		ns	[2]
20	t <sub>WH</sub>	WAIT Hold Time from /PHI	10		5		ns	
21	t <sub>WDZ</sub>	/PHI to Data Float Display		35		20	ns	
22	t <sub>WRD1</sub>	/PHI to /WR Delay		25		15	ns	
23	t <sub>WDD</sub>	/PHI to Write Data Delay Time		25		15	ns	
24	t <sub>WDS</sub>	Write Data Setup Time to /WR	10		10		ns	
25	t <sub>WRD2</sub>	/PHI to /WR Delay		25		15	ns	
26	t <sub>WRP</sub>	Write Pulse Width (Memory Write Cycle)	75		45		ns	
26a	t <sub>WRP</sub>	Write Pulse Width (I/O Write Cycle)	130		70		ns	
27	t <sub>WDH</sub>	Write Data Hold Time from /WR	10		5		ns	
28	t <sub>IOD</sub>	/PHI to /IORQ Delay (IOC=1)		25		15	ns	
		/PHI to /IORQ Delay (IOC=0)		25		15	ns	
29	t <sub>IOD2</sub>	/PHI to /IORQ Delay		25		15	ns	
30	t <sub>IOD3</sub>	/M1 to /IORQ Delay	100		80		ns	
31	t <sub>INTS</sub>	/INT Setup Time to /PHI	20		15		ns	
32	t <sub>INTH</sub>	/INT Hold Time from /PHI	10		10		ns	
33	t <sub>NMIW</sub>	NMI Pulse Width	35		25		ns	
34	t <sub>BRS</sub>	BUSREQ Setup Time to /PHI	10		10		ns	
35	t <sub>BRH</sub>	BUSREQ Hold Time from /PHI	10		10		ns	
36	t <sub>BAD1</sub>	/PHI to /BUSACK Delay		25		15	ns	
37	t <sub>BAD2</sub>	/PHI to /BUSACK Delay		25		15	ns	
38	t <sub>BZD</sub>	/PHI to Bus Floating Delay Time		40		30	ns	
39	t <sub>MEWH</sub>	MREQ Pulse Width (High)	35		25		ns	
40	t <sub>MEWL</sub>	MREQ Pulse Width (Low)	35		25		ns	

**AC CHARACTERISTICS** (Continued)

( $V_{CC} = 5V \pm 10\%$  or  $V_{CC} = 3.3V \pm 10\%$ , over specified temperature range unless otherwise noted  
33 MHz Characteristics Apply Only to 5V Operation.)

No	Sym	Parameter	Z8L189-20 MHz		Z80189-33 MHz		Unit Notes
			Min	Max	Min	Max	
41	tRFD1	/PHI to /RFSH Delay		20		15	ns
42	tRFD2	/PHI to /RFSH Delay		20		15	ns
43	tHAD1	/PHI to /HALT Delay		15		15	ns
44	tHAD2	/PHI to /HALT Delay		15		15	ns
45	tDRQS	DREQ Setup Time to /PHI	20		15		ns
46	tDRQH	DREQ Hold Time from /PHI	20		15		ns
47	tTED1	/PHI to /TEND Delay		25		15	ns
48	tTED2	/PHI to /TEND Delay		25		15	ns
49	tED1	/PHI to /E Delay		30		15	ns
50	tED2	/PHI /or to /E Delay		30		15	ns
51	PWEH	E Pulse Width (High)	25		20		ns
52	PWEL	E Pulse Width (Low)	50		40		ns
53	tEr	Enable Rise Time		10		10	ns
54	tEf	Enable Fall Time		10		10	ns
55	tTOD	/PHI to Timer Output Delay		75		50	ns
56	tSTDI	CSI/O Transmit Data Delay (Internal Clock Operation)		75		60	ns
57	tSTDE	CSI/O Transmit Data Delay (External Clock Operation)		7.5 tcyc+75		7.5 tcyc+60	ns
58	tSRSI	CSI/O Receive Data Setup Time (Internal Clock Operation)		1		1	phi cycles
59	tSRHI	CSI/O Receive Data Hold Time (Internal Clock Operation)		1		1	phi cycles
60	tSRSE	CSI/O Receive Data Setup Time (External Clock Operation)		1		1	phi cycles
61	tSRHE	CSI/O Receive Data Hold Time (External Clock Operation)		1		1	phi cycles
62	tRES	RESET Setup Time to /PHI	40		25		ns
63	tREH	RESET Hold Time from /PHI	25		15		ns
64	tOSC	Oscillator Stabilization Time		20		20	ns
65	tEXr	External Clock Rise Time (EXTAL)		10		5	ns
66	tEXf	External Clock Fall Time (EXTAL)		10		5	ns
67	tRr	Reset Rise Time		50		50	ms [2]
68	tRf	Reset Fall Time		50		50	ms [2]
69	tIr	Input Rise Time (Except EXTAL, RESET)		50		50	ns [2]
70	tIf	Input Fall Time (Except EXTAL, RESET)		50		50	ns [2]
71	tDCS	MREQ Valid to RAMCS and ROMCS Valid Delay		5		5	ns [3]

**Notes:**

[1]  $tcyc = tCHW + tCLW + tcf + tcr$ .

[2] If the rise and fall times are greater than the specified maximums, other specifications will not be met.

[3] SL1832 is test screened such that specifications 8, 15, and 71 are tested to 18 ns ( $Tmeol + Tors + Trlcs = 18$  ns).



**AC CHARACTERISTICS** (Continued)  
Read/Write External Bus Master Timing

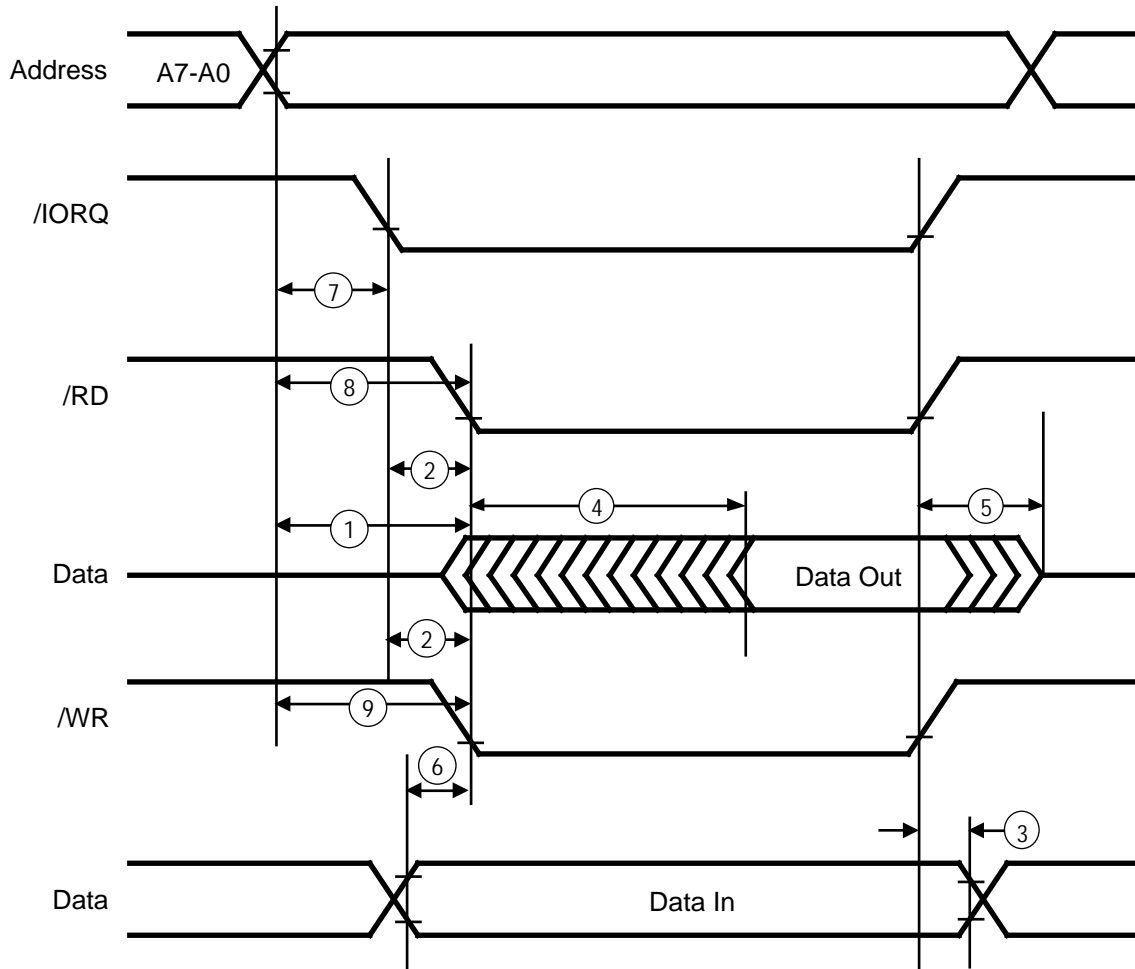


Figure 19. Read/Write External Bus Master Timing

**AC CHARACTERISTICS** (Continued)  
Read/Write External Bus Master Timing**Table 1. External Bus Master Timing**

No	Sym	Parameter	Z8L189-20 MHz		Z80189-33 MHz		Unit	Notes
			Min	Max	Min	Max		
1	TsA(wf)(rf)	Address to WR or RD Fall Time	20		20		ns	
2	TsIO(wf)(rf)	IORQ Fall to WR or RD Fall Time	20		20		ns	
3	Th	Data Hold Time (from WR Rise)	0		0		ns	
4	TdRD(DO)	RD Fall to Data Out Delay	35		35		ns	
5	TdRlr(DOz)	RD, IORQ Rise to Data Float Time	0		0		ns	
6	TsDI(WRf)	Data In to WR Fall Setup Time	20		20		ns	
7	TsA(IORQf)	Address to IORQ Fall Setup Time	35		35		ns	
8	TsA(RDf)	Address to RD Fall Setup Time	35		35		ns	
9	TsA(WRf)	Address to WR Fall Setup Time	35		35		ns	

**Table 2. 16550 MIMIC Timing**

No	Sym	Parameter	Z8L189-20 MHz		Z80189-33 MHz		Unit	Notes
			Min	Max	Min	Max		
1	TsAR	Address Setup to HRD Fall Time	30		30		ns	
2	TsCSR	Address Setup to CS Fall Time	30		30		ns	
3	TsAW	Address Setup to HWR Fall Time	30		30		ns	
4	TsCSW	HCS Setup to HWR Fall Time	30		30		ns	
5	tAh	Address Hold Time	20		20		ns	
6	tCSh	HCS Hold Time	20		20		ns	
7	tDs	Data Setup Time	30		30		ns	
8	tDh	Data Hold Time	30		30		ns	
9	tWc	Write Cycle Delay	2.5		2.5		phi cycles	
10	tRvD	Delay from HRD Fall to Data Valid		125		125	ns	
11	tHz	HRD Rise to Data Float Delay		100		100	ns	
12	tRc	Read Cycle Delay	125		125		ns	
13	tRDD	HRD Toggle to Driver Enable/Disable		60		60	ns	
14	tSINT	Delay fromwr RBR Reg. to Assert HINTR		2.0		2.0	phi cycles	
15	tRINT	Delay from /HRD of RBR to Deassert HINTR		2.0		2.0	phi cycles	
16	tHR	Delay from /WR THR to Reset HINTR		2.5		2.5	phi cycles	
17	TSTI	Delay from MPU /RD of THR to Assert HINTR		2.0		2.0	phi cycles	
18	TIR	Delay from /RD to Reset Interrupt		75		75	ns	

## 16550 MIMIC TIMING

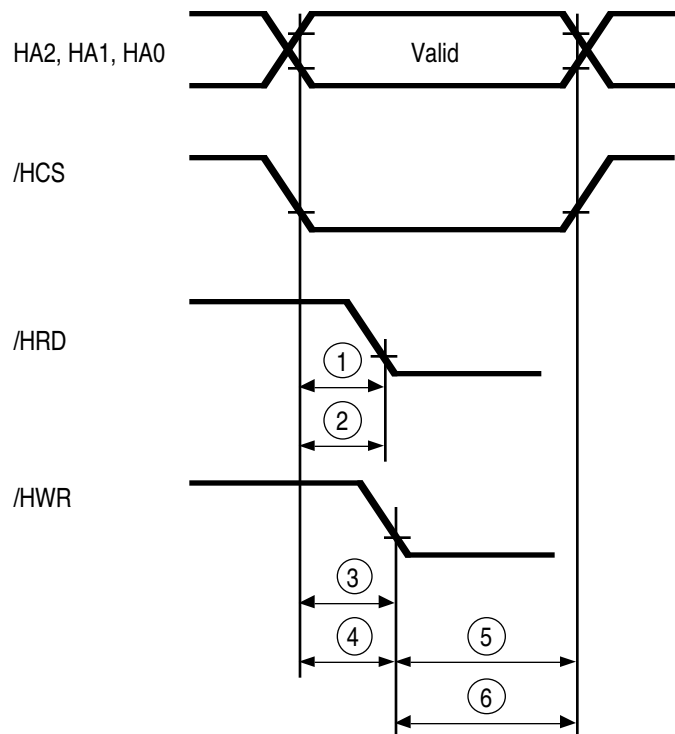
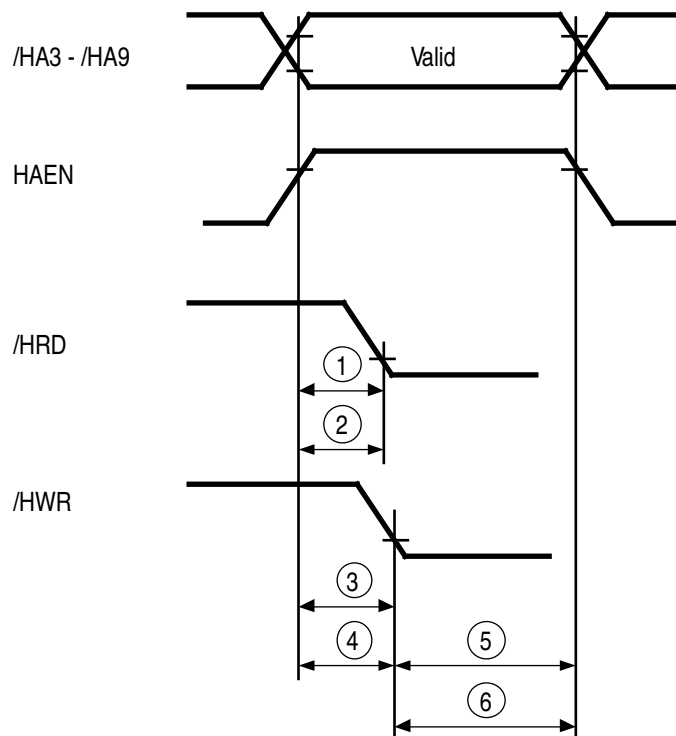


Figure 20. PC Host /RD /WR Timing

Table 3. PC Host /RD /WR Timing Table

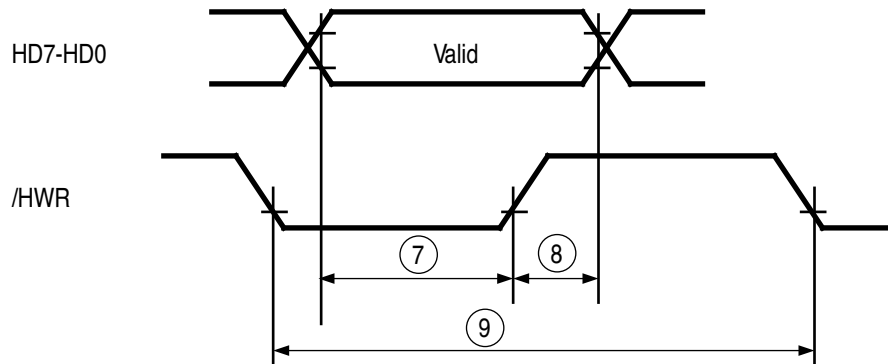
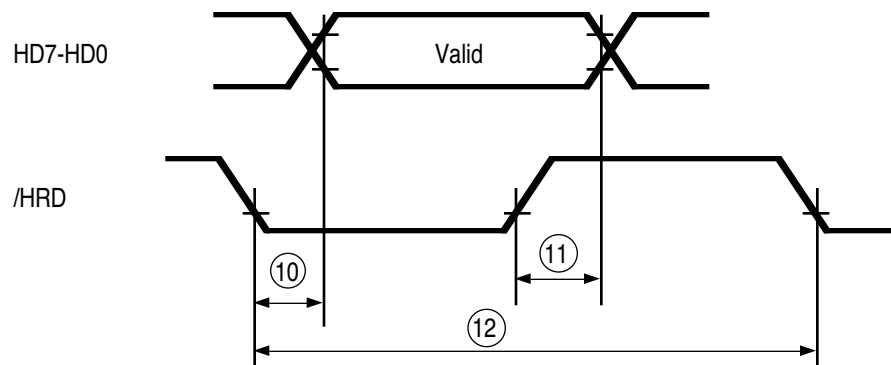
No	Symbol	Parameter	Z80L189-20 MHz		Z80189-33 MHz		Units
			Min	Max	Min	Max	
1	TsAR	H Address to /HRD Fall Setup	30		30		ns
2	tsCSR	/HCS to /HRD Fall Setup	30		30		ns
3	tsAW	H Address to /HWR Fall Setup	30		30		ns
4	tsCSW	/HCS to /HRD Fall Setup	30		30		ns
5	tAh	H Address from /HRD /HWR Hold	20		20		ns
6	tCSh	/HCS from /HRD /HWR Hold	20		20		ns

**16550 MIMIC TIMING** (Continued)

**Figure 21. Com Port Decode Mode  
PC Host /RD /WR Timing**

**Table 4. Com Port Decode Mode  
PC Host /RD /WR Timing Table**

No	Symbol	Parameter	Z8L189-20 MHz		Z80189-33 MHz		Units
			Min	Max	Min	Max	
1	tsAR	H Address to /HRD Fall Setup	30		30		ns
2	tsCSR	/HCS to /HRD Fall Setup	30		30		ns
3	tsAW	H Address to /HWR Fall Setup	30		30		ns
4	tsCSW	/HCS to /HWR Fall Setup	30		30		ns
5	tAh	H Address from /HRD /HWR Hold	20		20		ns
6	tCSh	/HCS from /HRD /HWR Hold	20		20		ns

**16550 MIMIC TIMING** (Continued)**Figure 22. Data Setup and Hold, Output Delay, Write Cycle****Figure 23. Data Setup and Hold, Output Delay, Read Cycle****Table 5. Data Setup and Hold, Output Delay, Read Cycle Table**

No	Sym	Parameter	Z8L189-20 MHz		Z80189-33 MHz		Units
			Min	Max	Min	Max	
7	tDs	Data In to /HWR Rise Setup	30		30		ns
8	tDh	Data In from /HWR Rise Hold	30		30		ns
9	tWc	Write Cycle Delay	2.5		2.5		phi cycles
10	tRvd	/HRD Fall to Data Out Valid Delay		125		125	ns
11	THz	/HRD Rise to Data Out Float Delay		100		100	ns
12	tRc	Read Cycle Delay	2.5		2.5		phi cycles

16550 MIMIC TIMING (Continued)

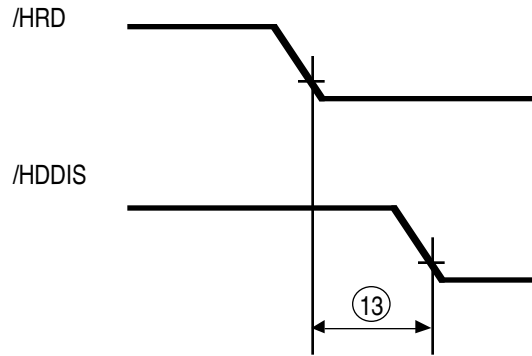


Figure 24. Driver Enable Timing

Table 6. Driver Enable Timing Table

No	Sym	Parameter	Z8L189-20 MHz		Z80189-33 MHz		Units
			Min	Max	Min	Max	
13	tRDD	/HRD to Driver Enable/Disable		60	60		ns

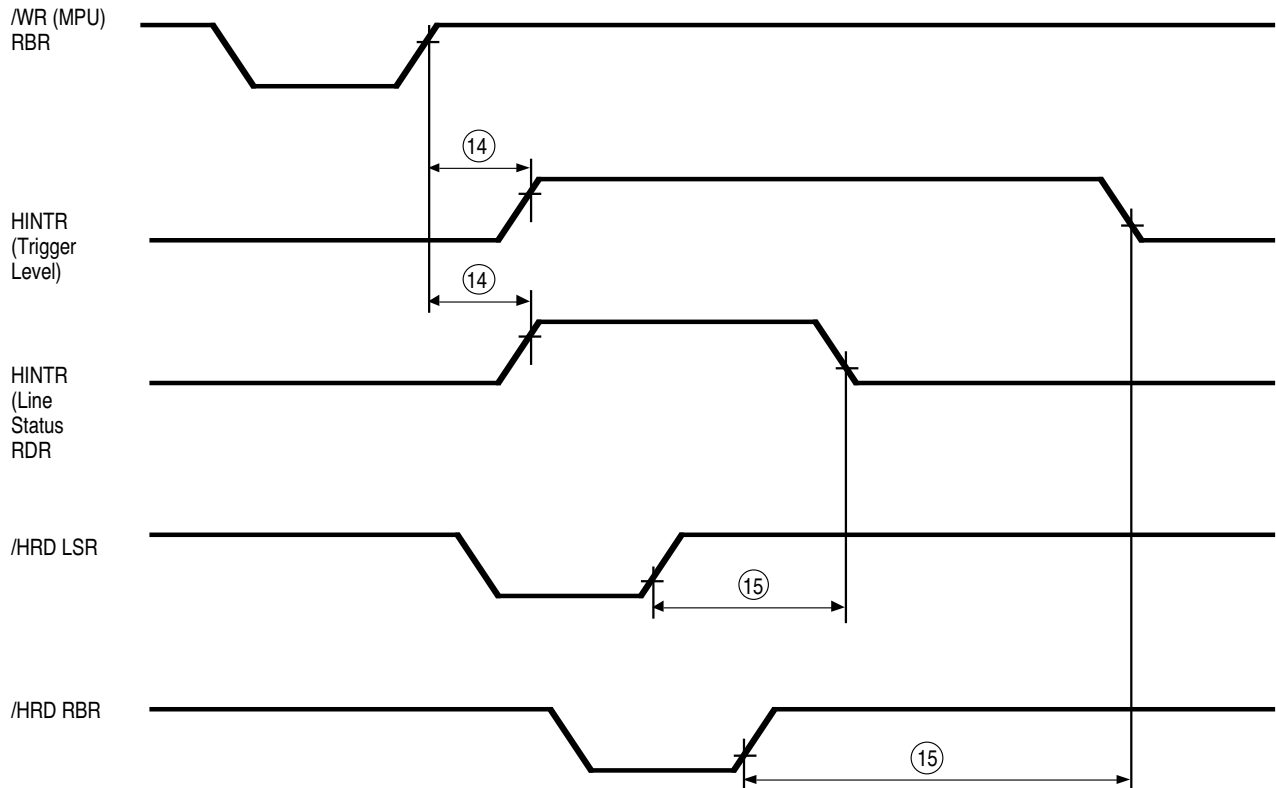
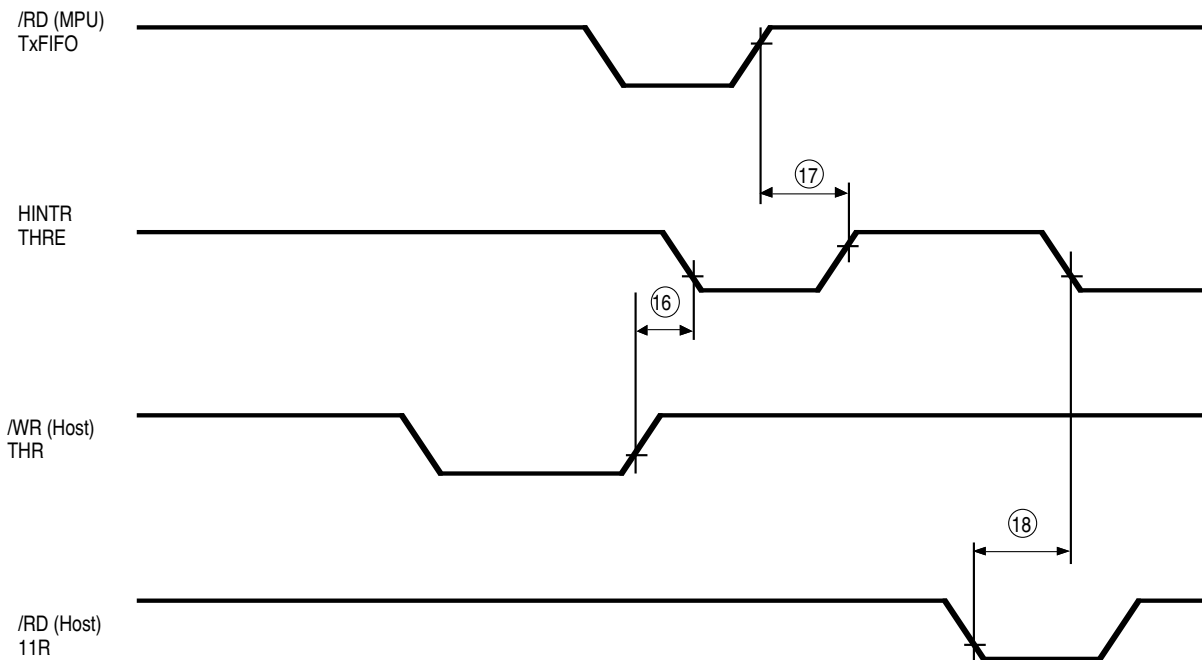


Figure 25. Interrupt Timing RCVR FIFO

**16550 MIMIC TIMING** (Continued)**Table 7. Interrupt Timing RCVR FIFO Table**

No	Sym	Parameter	Z8L189-20 MHz		Z80189-33 MHz		Units
			Min	Max	Min	Max	
14	tSINT	Delay from Stop to Set Interrupt		2		2	phi cycles
15	tRINT	Delay from /HRD (RD RBR or RD LSR) to Reset Interrupt		2		2	phi cycles

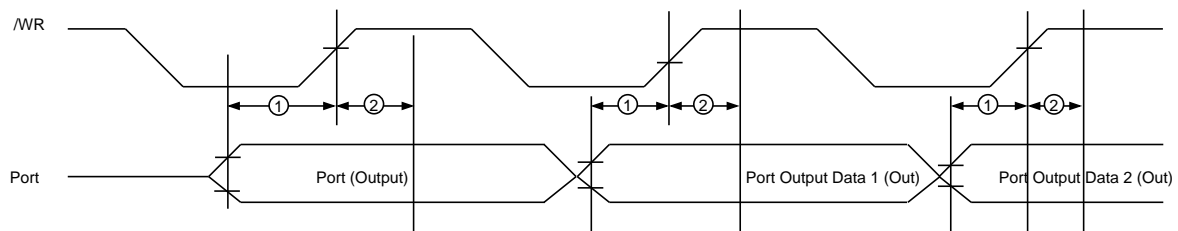
**Figure 26. Interrupt Timing Transmitter FIFO**

**16550 MIMIC TIMING** (Continued)**Table 8. Interrupt Timing Transmitter FIFO Table**

No	Sym	Parameter	Z8L189-20 MHz		Z80189-33 MHz		Units
			Min	Max	Min	Max	
16	tHR	Delay from /WR (WR THR) to Reset Interrupt		2.5		2.5	phi cycles
17	TSTI	Delay from Stop to Interrupt (THRE)		2		2	phi cycles
18	TIR	Delay from /RD to Reset Interrupt		2.5		2.5	phi cycles

**Table 9. I/O Port Timing Table**

No	Sym	Parameter	Z8L189-20 MHz		Z80189-33 MHz		Units
			Min	Max	Min	Max	
1	TsPIA(WR)	Data Setup Time to (Port) WR Fall	20		20		ns
2	TdWR(PIA)	Data Valid Delay from WR Rise		60		60	ns

**Figure 27. I/O Port Timing Diagram**



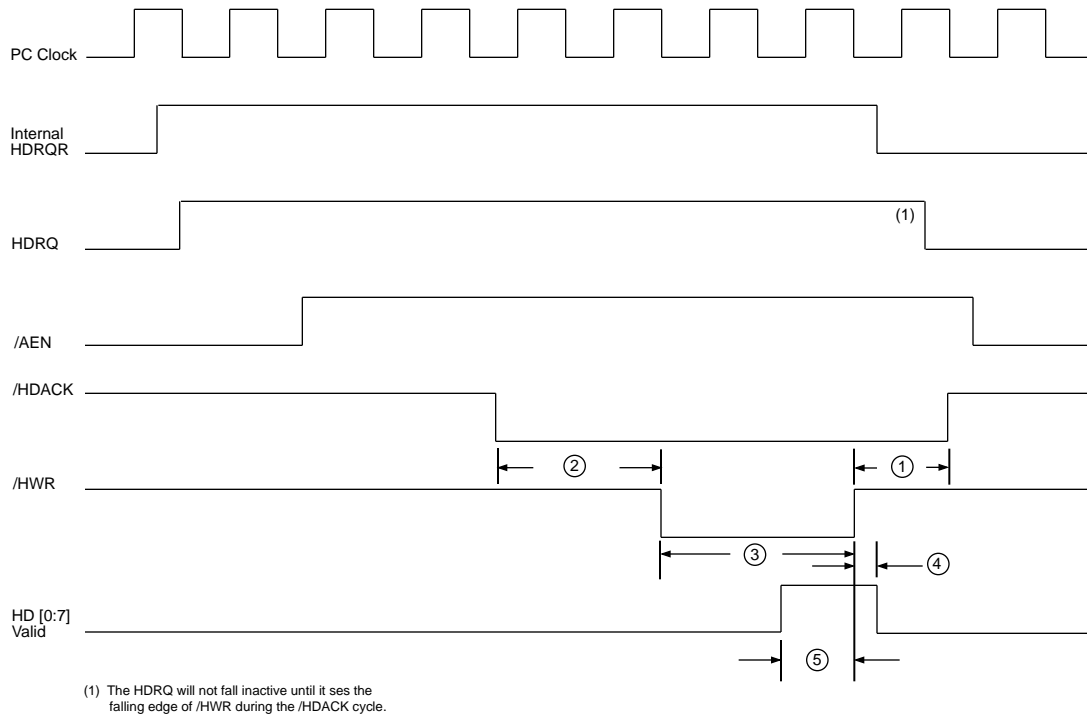
**PC DMA TIMING****Table 10. PC DMA Mailbox Timing  
PD DMA Write: Memory-Read, I/O Write DMA Bus Cycle**

No	Sym	Parameter	Z8L189-20 MHz		Z80189-33 MHz		Units
			Min	Max	Min	Max	
1	tACKWh	/HDACK Active Hold /HWR Inactive	144		144		ns
2	tWRs	/HDACK Active to /HWR Active	301		301		ns
3	tWR	/HWR Active to Inactive	454		454		ns
4	tvWR	Data Valid to /HWR Inactive	133		133		ns
5	tDWRh	Write Data Valid Hold from /HWR Inactive	25		25		ns

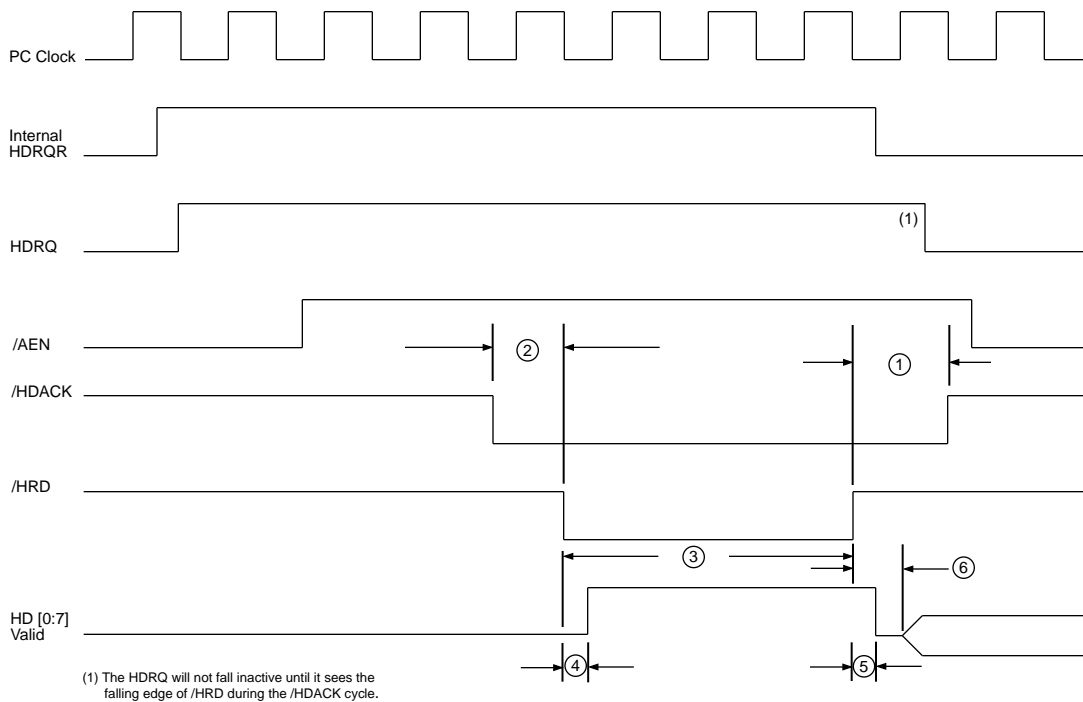
**Table 11. PC DMA Mailbox Timing  
PD DMA Read: I/O-Read, Memory-Write DMA Bus Cycle**

No	Sym	Parameter	Z8L189-20 MHz		Z80189-33 MHz		Units
			Min	Max	Min	Max	
1	tACKRh	/HDACK Active Hold /HRD Inactive	89		89		ns
2	tRDs	/HDACK Active to /HRD Active	62		62		ns
3	tRD	/HRD Active to Inactive	749		749		ns
4	tvRD	Data Valid from /HRD Active		215		215	ns
5	tDRDh	Read Data Valid Hold from /HRD Inactive	0		0		ns
6	tDZ	Data Float from /HRD Inactive		50		50	ns

**PC DMA TIMING DIAGRAMS**



**Figure 28. PC DMA Write: Memory-Read, I/O Write  
DMA Bus Cycle on PC AT Bus**



**Figure 29. PC DMA Read: I/O-Read, Memory-Write  
DMA Bus Cycle on PC AT Bus**

## PIN DESCRIPTION

### CPU Signals

**A19-A0.** Address Bus (Input/Output, active High, tri-state). A0-A19 form a 20-bit address bus. The Address Bus provides the address for memory data bus exchanges, up to 1 Mbyte, and I/O data bus exchanges, up to 64K. The address bus enters a high impedance state during reset and external bus acknowledge cycles, as well as during SLEEP and HALT states. This bus is an input when the external bus master is accessing the on-chip peripherals.

**D7-D0.** Data Bus (Bidirectional, active High, tri-state). D0-D7 constitute an 8-bit bidirectional data bus, used for the transfer of information to and from I/O and memory devices. The data bus enters the high impedance state during reset and external bus acknowledge cycles, as well as during SLEEP and HALT states.

**/RD.** Read (Input/Output, active Low, tri-state). /RD indicates that the CPU wants to read data from memory or an I/O device. The addressed I/O or memory device should use this signal to gate data onto the CPU data bus.

**/WR.** Write (Output, active Low, tri-state). /WR indicates that the CPU data bus holds valid data to be stored at the addressed I/O or memory location.

**/IORQ.** I/O Request (Input/Output, active Low, tri-state). /IORQ indicates that the address bus contains a valid I/O address for an I/O read or I/O write operation. /IORQ is also generated, along with /M1, during the acknowledgment of the /INT0 input signal to indicate that an interrupt response vector can be placed onto the data bus.

**/M1.** Machine Cycle 1 (Input/Output, active Low). Together with /MREQ, /M1 indicates that the current cycle is the opcode fetch cycle of an instruction execution. Together with /IORQ, /M1 indicates that the current cycle is for an interrupt acknowledge. It is also used with the /HALT and ST signal to decode status of the CPU machine cycle.

**/MREQ.** Memory Request (Input/Output, active Low, tri-state). /MREQ indicates that the address bus holds a valid address for a memory read or memory write operation.

**/WAIT.** (Input, active Low). /WAIT indicates to the MPU that the addressed memory or I/O devices are not ready for a data transfer. This input is used to induce additional clock cycles into the current machine cycle. The /WAIT input is sampled on the falling edge of t<sub>2</sub> (and subsequent wait states). If the input is sampled low, then additional wait states are inserted until the /WAIT input is sampled high, at which time execution will continue.

**/HALT.** Halt/Sleep Status (Output, active Low). This output is asserted after the CPU has executed either the HALT or SLP instruction, and is waiting for either non-maskable or maskable interrupt before operation can resume. It is also used with the /M1 and ST signals to decode status of the CPU machine cycle. On exit of Halt/Sleep, the first instruction fetch is delayed 16 clock cycles after the /HALT pin goes high.

**/BUSACK.** Bus Acknowledge (Output, active Low tri-state). /BUSACK indicates to the requesting device, the MPU address and data bus, and some control signals, have entered their high-impedance state.

**/BUSREQ.** Bus Request (Input, active Low). This input is used by external devices (such as DMA controllers) to request access to the system bus. This request has a higher priority than /NMI and is always recognized at the end of the current machine cycle. This signal will stop the CPU from executing further instructions and places the address and data buses, and other control signals, into the high impedance state.

**/NMI.** Non-maskable interrupt (Input, negative edge triggered). /NMI has a higher priority than /INT and is always recognized at the end of an instruction, regardless of the state of the interrupt enable flip-flops. This signal forces CPU execution to continue at location 0066H.

**/INT0.** Maskable Interrupt Request 0 (Input, active Low). This signal is generated by external I/O devices. The CPU will honor this request at the end of the current instruction cycle as long as the /NMI and /BUSREQ signals are inactive. The CPU acknowledges this interrupt request with an interrupt acknowledge cycle. During this cycle, both the /M1 and /IORQ signals will become active.

**/INT1, /INT2.** Maskable Interrupt Requests 1 and 2 (inputs, active Low). This signal is generated by external I/O devices. The CPU will honor these requests at the end of the current instruction cycle as long as the /NMI, /BUSREQ, and /INT0 signals are inactive. The CPU will acknowledge these interrupt requests with an interrupt acknowledge cycle. Unlike the acknowledgment for /INT0, during this cycle neither the /M1 or /IORQ signals will become active. These pins may be programmed to provide active low level, rising or falling edge interrupts. The level of the external /INT1 and /INT2 pins may be read through bits PC6 and PC7 of parallel port C.

## PIN DESCRIPTION (Continued)

**/RFSH.** Refresh (Output, active Low, tri-state). Together with /MREQ, /RFSH indicates that the current CPU machine cycle and the contents of the address bus should be used for refresh of dynamic memories. The low order 8 bits of the address bus (A7-A0) contain the refresh address.

**/MRD.** Memory Read (Output, active Low, tri-state). /MRD is active when both the internal /MREQ and /RD signals are active.

**/MWR.** Memory write (output, active Low, tri-state). /MWR is active when both the internal /MREQ and /WR signals are active.

### Z180™ MPU UART and SIO Signals

**CKA0, CKA1.** Asynchronous Clock 0 and 1 (Bidirectional, active High). When in output mode, these pins are the transmit and receive clock outputs from the ASCI baud rate generators. When in input mode, these pins serve as the external clock inputs for the ASCI baud rate generators.

**CKS.** Serial Clock (Bidirectional, active High). This line is the clock for the CSIO channel.

**/DCD0.** Data Carrier Detect 0 (Input, active Low). This is a programmable modem control signal for ASCI channel 0.

**/RTS0.** Request to Send 0 (Output, active Low, tri-state). This is a programmable modem control signal for ASCI channel 0.

**/CTS0/CTS1.** Clear to Send 0 (Input, active Low). This line is a modem control signal for the ASCI channel 0 and 1.

**TXA0.** Transmit Data 0 (Output, active High). This signal is the transmitted data from the ASCI channel 0.

**TXS.** Clocked Serial Transmit Data (Output, active High). This line is the transmitted data from the CSIO channel.

**RXA0.** Receive Data 0 (Input, active High). This signal is the receive data to ASCI channel 0.

**RXS.** Clocked Serial Receive Data (Input, active High). This line is the receiver data for the CSIO channel.

**RXA1.** Received Data ASCI Channel 1.

**TXA1.** Transmitted Data ASCI Channel 1.

### Z180™ MPU DMA Signals

**/TEND0.** Transfer End 0 (outputs, active Low). This output is asserted active during the last write cycle of a DMA operation. It is used to indicate the end of the block transfer.

**/DREQ0, /DREQ1.** DMA request 0 and 1 (Input, active Low). /DREQ is used to request a DMA transfer from one of the on-chip DMA channels. The DMA channels monitor these inputs to determine when an external device is ready for a read or write operation. These inputs can be programmed to be either level or edge sensed.

### Z180™ MPU Timer Signals

**T<sub>OUT</sub>.** Timer Out (Output, active High). T<sub>OUT</sub> is the pulse output from PRT channel 1. This line is multiplexed with HINTR1 of the 16550 MIMIC.

### 16550 MIMIC Interface Signals

**HD7-HD0.** Host Data Bus (Input/Output, tri-state). In Z80189, the host data bus is used to communicate between the 16550 MIMIC interface and the PC/XT/AT. It is multiplexed with the PA7-PA0 of parallel port A.

**/HDDIS.** Host Driver Disable (Output, active Low). In Z80189, this signal goes low whenever the PC/XT/AT is reading data from the 16550 MIMIC interface. The /HDDIS pin should also go active low on each PC DMA read cycle.

**HA2-HA0.** Host Address (Input). In Z80189, these pins are the address inputs to the 16550 MIMIC interface. This address determines which register the PC/XT/AT accesses.

**HA9-HA3, HAEN.** Host COM Port Decode Address (Input). In Z80189, these pins are multiplexed when COM Port Decode is enabled (default). These pins are used to provide internal MIMIC Enable when HA9-HA3 match the programmed MIMIC address field. HAEN is also used to access the PC DMA Mailbox registers.

**/HCS.** Host Chip Select (Input, active Low). In Z80189, this input is used by the PC/XT/AT to select the 16550 MIMIC interface for an access. The /HCS input is disabled when using the internal COM Port Decoder. When setting the /HCS Force bit in the CDR register, the /HCS output is asserted when HA3-HA9 is within the boundaries programmed by bits 3-4 of the CDR register and /HRD or /HWR is asserted. /HCS is NOT asserted for PC DMA Mailbox accesses.

**/HWR.** Host Write (Input, active Low). In Z80189, this input is used by the PC/XT/AT to signal the 16550 MIMIC interface that a write operation is taking place.

**/HRD.** Host Read (Input, active Low). In Z80189, this input is used by the PC/XT/AT to signal the 16550 MIMIC interface that a read operation is taking place.

**HINTR1, HINTR2.** Host Interrupt (Output, active High tri-state). In Z80189, this output is used by the 16550 MIMIC interface to signal the PC/XT/AT that an interrupt is pending. In Z80189 COM Port Decode mode, the MIMIC interrupt request can be routed to either HINTR1 or 2 depending on the COM Port Decode selected. The deselected HINTR line will be forced to tri-state, while the selected HINTR will follow what is programmed in the MIMIC Master Control Register.

**HC1, HC2.** Host COM Select Pin 1&2 (Input). HC1 and HC2 are general-purpose inputs that can be used for COM Port selection. The status of these pins are read by use of the CDR register. The status of these pins can be used by firmware to select the appropriate COM Port address decode range.

## PC DMA Mailbox Signals

**/HDACK0, /HDACK1.** Host DMA Acknowledge (Input, active Low). This input signal indicates to the Z80189 that the PC DMA controller has acknowledged the request and will begin data transfer. /HDACK0 is multiplexed with /CKA0 and /DREQ0. /HDACK1 is multiplexed with /BUSREQ.

**HDRQ0, HDRQ1.** Host DMA Request (output, active high, tri-state). This output requests to the PC DMA controller that the Z80189 is ready for a DMA data transfer. HDRQ is multiplexed with /RTS0. HDRQ1 is multiplexed with /BUSACK.

## Parallel Ports

**PA7-PA0.** Parallel Port A (Input/Output). These lines can be configured as inputs or outputs on a bit-by-bit basis when the Z80189 is operated in mode 0.

**PB7-PB0.** Parallel Port B (Input/Output). These lines can be configured as inputs or outputs on a bit-by-bit basis when the port function is selected in the System Configuration register.

**PC7-PC0.** Parallel Port C (Input/Output). These lines can be configured as inputs or outputs on a bit by bit basis for bits PC5-PC0. Bits PC7 and PC6 are input only and read the level of the external /INT2 and /INT1 pins. When /INT2 and/or /INT1 are in edge capture mode writing a '1' to the respective PC7, PC6 bit clears the interrupt capture latch. Writing a '0' has no effect.

## Emulation Signals

**EV1, EV2.** Emulation Select (Input). These two pins determine the emulation mode the Z180 MPU is in. They are as follows:

	EV2	EV1	
Mode 0	0	0	Normal mode, on-chip Z180 bus master.
Mode 1	0	1	Emulation Adapter Mode
Mode 2	1	0	Emulator Probe Mode
Mode 3	1	1	Reserved

## System Control Signals

**ST.** Status (Output, active High). This signal is used with the M1 and /HALT output to decode the status of the CPU machine cycle.

**/RESET.** Reset Signal (Input, Active Low). /RESET signal is used for initializing the MPU and other devices in the system. It must be kept in the active state for a period of at least 6 system clock cycles.

**IEI.** Interrupt Enable Signal (Input, active High). IEI is used with the IEO to form a priority daisy chain when there is more than one interrupt driven peripheral.

**IEO.** Interrupt Enable Output Signal (Output, active High). In the daisy-chain interrupt control, IEO controls the interrupt of external peripherals. IEO is active when IEI is "1" and the CPU is not servicing an interrupt from the on-chip peripherals. This pin is multiplexed with /IOCS1.

**/IOCS1.** I/O Chip Select 1 (output, active Low) is an auxiliary chip select that decodes A7, A6, /IORQ, /M1 and effectively decodes the address space XX80 to XXBF for I/O transactions. A15 through A8 are not decoded so that the chip select is active in all pages of I/O address space. The /IOCS1 function is the default on power on or reset condition and is changed by programming bit 2 in the Interrupt Edge/Pin Mux Register.

## System Control Signals (Continued)

**/IOCS2.** I/O Chip Select 2 (output, active Low) This pin is a secondary peripheral I/O chip select. This pin is active for I/O accesses between XXC0H to XXC7H or XXC8H to XXCFH (programmable by bit 1 of the IOBRG register).

**/RAMCS.** RAM Chip Select (Output, active Low). Signal used to access RAM based upon the address and the RAMLBR and RAMUBR registers.

**/ROMCS.** ROM Chip Select (Output, active Low). Signal used to access ROM based upon the address and the ROMBR register.

**XTAL.** Crystal (Output, active High). Crystal oscillator connection. This pin should be left open if an external clock

is used instead of a crystal. The oscillator input is not a TTL level (reference DC characteristics).

**EXTAL.** External Clock/Crystal (Input, active High). Crystal oscillator connections. An external clock can be input to the Z80189 on this pin when a crystal is not used. This input is Schmitt-triggered.

**PHI.** System Clock (Output, active High). The output is used as a reference clock of the MPU and the external system.

**V<sub>cc</sub>.** Power Supply. +5 Volts

**V<sub>ss</sub>.** Power Supply. 0 Volts

---

## PIN MULTIPLEXING

To allow for COM Port decode and omission of ESCC core, Pin Multiplexing is changed with respect to the Z182.

ESCC CH.A pins will be replaced by COM Decode and ASCI CH.A pins as follows:

RxDA	→	HA6
/TRxCA	→	HAEN
TxDA	→	HINTR2
DCDB	→	/HRD//DCD0
/CTSB	→	/HWR//CTS0

Note that ASCI channel 0 functions can be found in two places. These pins are ORed with ASCI channel 0 functions that are multiplexed with Port B (pins 35-39 QFP). /DCD0, /CTS0, RXA0 inputs will come from 78, 79, 81 (respectively) when Port B (0-4) is enabled. When MIMIC is disabled, /HDDIS pin doubles as TXA0 output. Note that /RTS0 has also been changed to pin 50.

When COM decode bit is set (enabled during reset) the following pins become multiplexed as follows.

/RFSH	→	HA3
/WAIT	→	HA4
/DREQ1	→	HA5
/HA6	→	HA6
IEI	→	HA7
/HA8	→	HA8
CKA1/TEND0	→	HA9
/HAEN	→	HAEN

These pins are selected such that they are all high-z inputs at power up to prevent any problems with connecting address lines directly to PC bus. Although, the COM decode multiplexing is enabled on power-up, the COM address decoding is disabled.

**Table 12. Z80189 Pin-Out**  
**Multiplexed Pin Descriptions Primary, Secondary Pin Functions**

PIN # VQFP	PIN # QFP	DEFAULT FUNCTION	SECONDARY FUNCTION	CONTROL
1	4	ST		
2	5	A0		
3	6	A1		
4	7	A2		
5	8	A3		
6	9	A4		
7	10	A5		
8	11	A6		
9	12	A7		
10	13	A8		
11	14	A9		
12	15	A10		
13	16	A11		
14	17	A12		
15	18	V <sub>SS</sub>		
16	19	A13		
17	20	A14		
18	21	A15		
19	22	A16		
20	23	A17		
21	24	A18		
22	25	V <sub>DD</sub>		
23	26	A19		
24	27	D0		
25	28	D1		
26	29	D2		
27	30	D3		
28	31	D4		
29	32	D5		
30	33	D6		

**PIN MULTIPLEXING** (Continued)**Table 12. Z80189 Pin-Out (Continued)**  
**Multiplexed Pin Descriptions Primary, Secondary Pin Functions**

PIN # VQFP	PIN # QFP	DEFAULT FUNCTION	SECONDARY FUNCTION	CONTROL
31	34	D7		
32	35	PB0	TXS	System Config Reg bit 5
33	36	PB1	/CTS0	System Config Reg bit 5
34	37	PB2	/DCD0	System Config Reg bit 5
35	38	PB3	TXA0	System Config Reg bit 5
36	39	PB4	RXA0	System Config Reg bit 5
37	40	PB5	TXA1	System Config Reg bit 6
38	41	PB6	RXA1	System Config Reg bit 6
39	42	PB7	RXS//CTS1	System Config Reg bit 6
40	43	/HDACK0	CKA0//DREQ0	Host DMA Enable Reg bit 3
41	44	V <sub>SS</sub>		
42	45	HA9	CKA1//TENDO	COM Decode Reg bit 0
43	46	HINTR1	T <sub>OUT</sub>	System Config Reg bit 2
44	47	HC2	CKS	COM Decode Reg bit 0
45	48	HA5	/DREQ1	(4)
46	49	V <sub>DD</sub>		
47	50	HDRQ0	/RTSO	(6) Host DMA Enable Reg bit 3
48	51	/RAMCS		
49	52	/ROMCS		
50	53	EV1		
51	54	EV2		
52	55	HD0	PA0	Sys Config Reg bit 1
53	56	HD1	PA1	Sys Config Reg bit 1
54	57	HD2	PA2	Sys Config Reg bit 1
55	58	HD3	PA3	Sys Config Reg bit 1
56	59	HD4	PA4	Sys Config Reg bit 1
57	60	HD5	PA5	Sys Config Reg bit 1
58	61	HD6	PA6	Sys Config Reg bit 1
59	62	HD7	PA7	Sys Config Reg bit 1



## Z80189 MPU FUNCTIONAL DESCRIPTION

The Z80189 includes a Zilog Z8S180 MPU (Static Z80180 MPU). This allows software code compatibility with existing Z80/Z180 software code. The following is an overview of the major functional units of the Z80189.

### Architecture

The Z80189 combines a high performance CPU core with a variety of system and I/O resources useful in a broad range of applications. The CPU core consists of four functional blocks:

- Clock Generator
- Bus State Controller (Dynamic Memory Refresh)
- Memory Management Unit (MMU)
- Central Processing Unit (CPU).

The integrated I/O resources make up the remaining functional blocks:

- Direct Memory Access (DMA control—two channels)
- Asynchronous Serial Communications Controller (ASCI, two channels)
- Programmable Reload Timers (PRT, two channels)
- Clocked Serial I/O
- 16550 Compatible MIMIC Interface
- COM Port Decoder
- PC DMA Mailbox Registers
- Host I/O Mailbox Registers

**Clock Generator.** This logic generates the system clock from either an external crystal or clock input. The external clock is divided by two, or one if programmed, and is provided to both internal and external devices.

In addition, there is also a clock multiplier feature which doubles the internal clock frequency from that of the external clock input.

**Bus State Controller.** This logic performs all of the status and bus control activity associated with both the CPU and some on-chip peripherals. This includes wait state timing, reset cycles, DRAM refresh, and DMA bus exchanges.

**Interrupt Controller.** This logic monitors and prioritizes the variety of internal and external interrupts and traps to provide the correct responses from the CPU. To maintain compatibility with the Z80 CPU, three different interrupt modes are supported.

**Memory Management Unit.** The MMU allows the user to “map” the memory used by the CPU (logically only 64 Kbytes) into the 1 Mbyte addressing range supported by the Z80189. The organization of the MMU object code maintains compatibility with the Z80 CPU while offering access to an extended memory space. This is accomplished by using an effective “common area-banked area” scheme.

**Central Processing Unit.** The CPU is microcoded to provide a core that is object-code compatible with the Z80 CPU. It also provides a superset of the Z80 instruction set, including 8-bit multiply. This core has been modified to allow many of the instructions to execute in fewer clock cycles.

**Table 12. Z80189 Pin-Out (Continued)**  
**Multiplexed Pin Descriptions Primary, Secondary Pin Functions**

PIN # VQFP	PIN # QFP	DEFAULT FUNCTION	SECONDARY FUNCTION	CONTROL
60	63	PC5		
61	64	PC3		
62	65	PC2	/MWR	Int Edge/Pin Reg bit 3
63	66	PC1		
64	67	PC0		
65	68	PC4		
66	69	HA8		
67	70	V <sub>SS</sub>		
68	71	/IOCS1	IEO	Int Edge/Pin reg bit 2
69	72	HA7	IEI	(1) COM Decode reg bit 0
70	73	V <sub>DD</sub>		
71	74	HA6		
72	75	HAEN		
73	76	HINTR2		
74	77	/HRD	/DCD0	(2)
75	78	/HWR	/CTS0	(2)
76	79	/HDDIS	TXA0	Sys Conf reg bit 1
77	80	HA0		
78	81	HA1	RXA0	(2)
79	82	HA2		
80	83	/HCS	HC1	(3)
81	84	/HALT		
82	85	HA3	/RFSH	COM Decode reg bit 0
83	86	/IORQ		
84	87	/MREQ	/MRD	Int Edge/Pin Reg bit 3
85	88	/IOCS2	E	I/O brg reg bit 2
86	89	/M1		
87	90	/WR		
88	91	/RD		
89	92	PHI		
90	93	V <sub>SS</sub>		
91	94	XTAL		
92	95	EXTAL		
93	96	HA4	/WAIT	(5) COM Decode reg bit 0
94	97	HDRQ1	/BUSACK	(6) Host DMA Enable Reg bit 2
95	98	/HDACK1	/BUSREQ	(5) Host DMA Enable Reg bit 2
96	99	/RESET		
97	100	/NMI		
98	1	/INT0		
99	2	/INT1	PC6	
100	3	/INT2	PC7	

All inputs feature an auto latch that assures that an unconnected input is seen as a logic high or logic low by both the

Z189 or any measurement device connected to the inputs. The auto latch will latch onto the previous state of input pin.

**Notes:**

1. IEI pulled high internally when default function is active
2. Pins also act as ASCII inputs only when Port B is enabled
3. MIMIC access is disabled until the system configuration register is written. /HCS can be forced to output the result of COM Port Decoder.
4. Pin simultaneously acts as input for both default and secondary functions.
5. /WAIT is pulled high internally when default function is active.
6. Upon power-up or reset, this pin is tri-state.

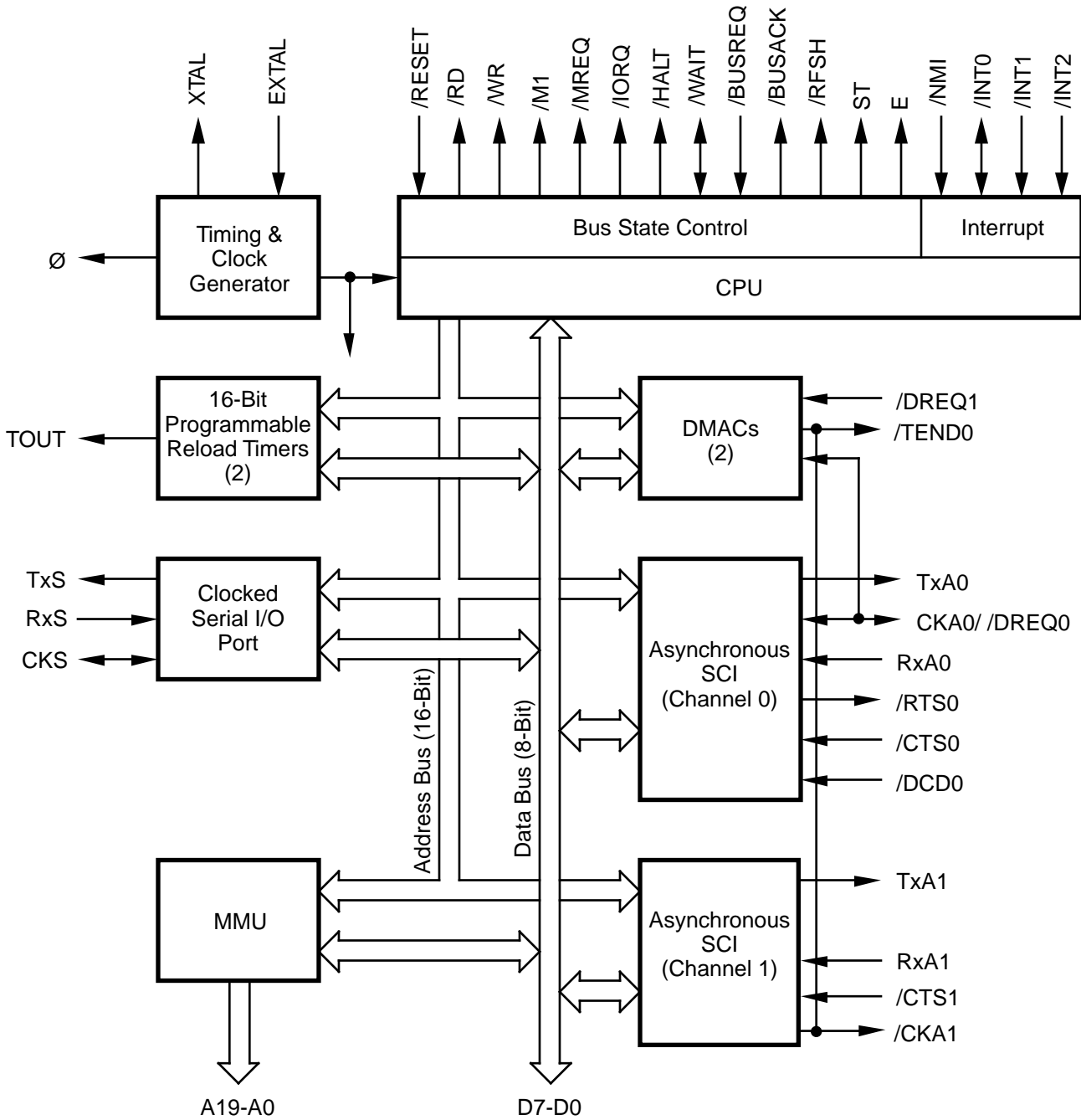


Figure 30. Z189 MPU Block Diagram

**Z80189 MPU FUNCTIONAL DESCRIPTION** (Continued)**DMA Controller**

**DMA Controller.** The DMA controller provides high-speed transfers between memory and I/O devices. Transfer operations supported are memory-to-memory, memory to or from I/O, and I/O-to-I/O. Transfer modes supported are

request, burst, and cycle steal. DMA transfers can access the full 1 Mbyte addressing range with a block length up to 64 Kbytes, and can cross over the 64 Kbytes boundaries.

**Table 13. SAR18-16 and DAR18-16 I/O Device Encoding**

SM1-0	SAR18-16	Source	DM1-0	DAR18-16	Destination
11	000	ext (CKA0/DREQ)	11	000	ext (CKA0//DREQ0)
11	001	ASCI0 Rx	11	001	ASCI0 Tx
11	010	ASCI1 Rx	11	010	ASCI1 Tx
11	011	ext (/DREQ1)	11	011	ext (/DREQ1)
11	100	*	11	100	*
11	101	*	11	101	*
11	110	*	11	110	*
11	111	*	11	111	*

\* Reserved do not use.

**Asynchronous Serial Communications Interface (ASCI)**

The ASCI logic provides two individual full-duplex UARTs. Each channel includes a programmable baud rate generator. The ASCI channels can also support a multiprocessor communications format. For ASCI0, up to three modem control signals and one clock signal can be pinned out, while ASCI1 has a data-only interface and 1 clock signal.

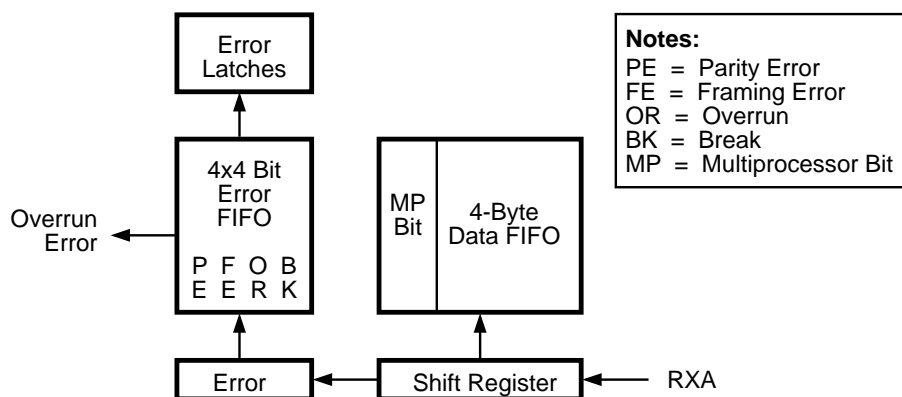
The receiver includes a 4-byte FIFO, plus a shift register as shown in Figure 31.

**Reset DCD (ASCI0 with Auto Enables) and I/O Stop Mode Conditions**

During Reset and in I/O Stop state, and for ASCI0 if /DCD0 is auto-enabled and is High, an ASCI is forced to the following conditions:

- FIFO Empty
- All Error Bits Cleared (including those in the FIFO)
- Receive Enable Cleared (cntla bit 6 = 0)
- Transmit Enable Cleared (cntla bit 5 = 0).

If DCD is not auto-enabled, the /DCD pin has no effect on the FIFOs or enable bits.

**Figure 31. ASCII Receiver**

## FIFO and Receiver Operation

The 4-byte Receive FIFO is used to buffer incoming data to reduce the incidence of overrun errors. When the RE bit is set in the CNTLA register, the RXA pin is monitored for a Low transition. One-half bit time after the Low transition of the RXA pin, the ASCI samples RXA again. If it has gone back to High, the ASCI ignores the previous Low transition and resumes looking for a new one, but if RXA is still Low, it considers this a start bit and proceeds to clock in the data based upon the internal baud rate generator or the external CKA pin. The number of data bits, parity, multiprocessor and stop bits are selected by the MOD2, MOD1, MOD0 and MP bits in the CNTLA and CNTLB registers. After the data has been received, the appropriate MP, parity and one stop bit are checked. Data and any errors are clocked into the FIFOs during the stop bit. Interrupts, Receive Data Register Full Flag, and DMA requests will also go active during this time.

## Error Condition Handling

When the receiver places a data character in the Receive FIFO, it also places any associated error conditions in the error FIFO. The outputs of the error FIFO go to the set inputs of the software-accessible error latches. Writing a 0 to CNTLA EFR is the only way to clear these latches. In other words, when an error bit reaches the top of the FIFO, it sets an error latch. If the FIFO has more data and the software reads the next byte out of the FIFO, the error latch remains set, until the software writes a 0 to the EFR bit. The error bits are cumulative, so if additional errors are in the FIFO, they will set any upset error latches as they reach the top.

## Overrun Error

An overrun occurs if the receive FIFO is full when the receiver has just assembled a byte in the shift register and is ready to transfer it to the FIFO. If this occurs, the overrun error bit associated with the previous byte in the FIFO is set. The latest data byte is not transferred from the shift register to the FIFO in this case, and is lost. Once an overrun occurs, the receiver does not place any further data in the FIFO, until the "last good byte received" has come to the top of the FIFO so that the Overrun latch is set, and software then clears the Overrun latch. Assembly of bytes continues in the shift register, but this data is ignored until the byte with the overrun error reaches the top of the FIFO and is cleared with a write of 0 to the EFR bit.

## Break Detect

A Break is defined as a framing error with the data equal to all zeros. When a break occurs, the all-zero byte with its associated error bits are transferred to the FIFO, if it is not full. If the FIFO is full, an overrun is generated, but the break, framing error and data, are not transferred to the FIFO. Any time a break is detected, the receiver will not receive any more data until the RXA pin returns to a High state. If the channel is set in multiprocessor mode and the MPE bit of the CNTLA register is set to 1, then breaks, errors and data will be ignored unless the MP bit in the transmission is a 1. Note: The two conditions listed above could cause a break condition to be missed if the FIFO is full and the break occurs, or if the MP bit in the transmission is not a 1 with the conditions specified above.

## Parity and Framing Errors

Parity and Framing Errors do not affect subsequent receiver operation.

**Z80189 MPU FUNCTIONAL DESCRIPTION** (Continued)**Baud Rate Generator**

The Baud Rate Generator (BRG) has two modes. The first is the same as in the Z80180. The second is a 16-bit down counter that divides the processor clock by the value in a 16-bit time constant register, and is identical to the ESCC BRG. This allows a common baud rate of up to 512 Kbps to be selected. The BRG can also be disabled in favor of an external clock on the CKA pin.

The Receiver and Transmitter will subsequently divide the output of the BRG (or the signal from the CKA pin) by 1, 16 or 64, under the control of the DR bit in the CNTLB register, and the X1 bit in the ASCI Extension Control Register. To compute baud rate, use the following formulas.

If  $ss_{2,1,0} = 111$ , baud rate =  $f_{CKA} / \text{Clock mode}$

else if BRG mode baud rate =  $f_{PHI} / (2 * (TC+2) * \text{Clock mode})$

else baud rate =  $f_{PHI} / ((10 + 20*PS) * 2^{ss} * \text{Clock mode})$

Where:

BRG mode is bit 3 of the ASEXT register

PS is bit 5 of the CNTLB register

TC is the 16-bit value in the ASCI Time Constant registers

The TC value for a given baud rate is:

$TC = (f_{PHI} / (2 * \text{baud rate} * \text{Clock mode})) - 2$

Clock mode depends on bit 4 in ASEXT and bit 3 in CNTLB:

X1	DR		Clock Mode
0	0	=	16
0	1	=	64
1	0	=	1
1	1	=	Reserved, do not use.

$2^{ss}$  depends on the three LS bits of the CNTLB register:

ss2	ss1	ss0		$2^{ss}$
0	0	0	=	1
0	0	1	=	2
0	1	0	=	4
0	1	1	=	8
1	0	0	=	16
1	0	1	=	32
1	1	0	=	64
1	1	1	=	External Clock from CKA0 (see above).

The requirement of having very close to the 50% duty cycle when the CKA pin is used as an input, has been removed on the 189. Minimum High and Low times on CKA0 are typical of most CMOS devices.

RDRF is set, and if enabled an Rx Interrupt or DMA Request is generated, when the receiver transfers a character from the Rx Shift Register to the Rx FIFO. The FIFO merely provides margin against overruns. When there's more than one character in the FIFO, and software or a DMA channel reads a character, RDRF either remains set or is cleared and then immediately set again. Similarly, if a receive interrupt service routine doesn't read all the characters in the Rx FIFO, RDRF and the interrupt request remain asserted.

The Rx DMA request is disabled when any of the error flags PE or FE or OVRN are set, so that software can identify with which character the problem is associated.

**Programmable Reload Timer (PRT)**

This logic consists of two separate channels, each containing a 16-bit counter (timer) and count reload register. The time base for the counters is derived from the system clock (divided by 20) before reaching the counter. PRT channel 1 provides an optional output to allow for waveform generation.

The  $T_{OUT}$  output of PRT1 is available on a multiplexed pin.

**Clocked Serial I/O (CSIO)**

The CSIO channel provides a half-duplex serial transmitter and receiver. This channel can be used for simple high-speed data connection to another microprocessor or microcomputer.

**/M1**

If the M1E bit of the operation Mode Control Register is set to 1, the RETI cycle occurs only once. The /M1 output is asserted LOW during the opcode fetch cycle, the /INT0 acknowledge cycle, and the first machine cycle of the /NMI

acknowledge. When M1E bit is reset to 0, the /M1 output is normally inactive and asserted LOW only during the refetch of the RETI instruction sequence and during /INT0 acknowledge cycle.

**Z8S180 POWER-DOWN MODES**

The following is a detailed description of the enhancements to the Z8S180 from the standard Z80180 in the areas of STANDBY, IDLE, and STANDBY-QUICK RECOVERY modes.

**Add-On Features**

There are five different power-down modes. SLEEP and SYSTEM STOP are inherited from the Z80180. In SLEEP

mode, the CPU is in a stopped state while the on-chip I/Os are still operating. In I/O STOP mode, the on-chip I/Os are in a stopped state while leaving the CPU running. In SYSTEM STOP mode, both the CPU and the on-chip I/Os are in the stopped state to reduce current consumption. The Z8S180 has added two additional power-down modes, STANDBY and IDLE, to reduce current consumption even further. The differences in these power-down modes are summarized in Table 14.

**Table 14. Power Down Modes**

Power-Down Modes	CPU Core	On-Chip I/O	OSC.	CLKOUT	Recovery Source	Recovery Time (Minimum)
SLEEP	Stop	Running	Running	Running	RESET, Interrupts	1.5 Clock
I/O STOP	Running	Stop	Running	Running	By Programming	-
SYSTEM STOP	Stop	Stop	Running	Running	RESET, Interrupts	1.5 Clock
IDLE <sup>†</sup>	Stop	Stop	Running	Stop	RESET, Interrupts, BUSREQ	8 + 1.5 Clock
STANDBY <sup>†</sup>	Stop	Stop	Stop	Stop	RESET, Interrupts, BUSREQ	2 <sup>17</sup> + 1.5 Clock (Normal Recovery) 2 <sup>6</sup> + 1.5 Clock (Quick Recovery)

**Notes:**

<sup>†</sup> IDLE and STANDBY modes are only offered in the Z8S180. Note that the minimum recovery time can be achieved if INTERRUPT is used as the Recovery Source.

## STANDBY Mode

The Z8S180 has been designed to save power. Two low-power programmable power-down modes have been added; STANDBY mode and IDLE mode. The STANDBY/IDLE mode is selected by multiplexing D6 and D3 of the CPU Control Register (CCR, I/O Address = 1FH). To enter STANDBY mode:

1. Set D6 and D3 to 1 and 0, respectively.
2. Set the I/O STOP bit (D5 of ICR, I/O Address = 3FH) to 1.
3. Execute the SLEEP instruction.

When the part is in STANDBY mode, it behaves similar to the SYSTEM STOP mode which currently exists on the Z80180, except that the STANDBY mode stops the clock oscillator, internal clocks and reduces the power consumption to a minimum.

Since the clock oscillator has been stopped, a restart of the oscillator requires a period of time for stabilization. An 18-bit counter has been added in the Z8S180 to allow for oscillator stabilization. When the part receives an external IRQ or BUSREQ during STANDBY mode, the oscillator is restarted and the timer counts down  $2^{17}$  counts before acknowledgment is sent to the interrupt source.

The recovery source needs to remain asserted for duration of the  $2^{17}$  count, otherwise standby will be resumed.

The following is a description of how the part exits STANDBY for different interrupts and modes of operation.

### STANDBY Mode Exit with /RESET

The /RESET input needs to be asserted for a duration long enough for the crystal oscillator to stabilize and then exit from the STANDBY mode. When /RESET is de-asserted, it goes through the normal reset timing to start instruction execution at address (logical and physical) 0000H.

The clocking is resumed within the Z8S180 and at the system clock output after /RESET is asserted when the crystal oscillator is restarted, but not yet stabilized.

### STANDBY Mode Exit with BUS REQUEST

Optionally, if the BREXT bit (D5 of CPU Control Register) is set to 1, the Z8S180 exits STANDBY mode when the /BUSREQ input is asserted; the crystal oscillator is then restarted. An internal counter automatically provides time for the oscillator to stabilize, before the internal clocking and the system clock output of the Z8S180 are resumed.

The Z8S180 relinquishes the system bus after the clocking is resumed by:

- Tri-State the address outputs A19 through A0.
- Tri-State the bus control outputs /MREQ, /IORQ, /RD and /WR.
- Asserting /BUSACK.

The Z8S180 regains the system bus when /BUSREQ is deactivated. The address outputs and the bus control outputs are then driven High; the STANDBY mode is exited.

If the BREXT bit of the CPU Control Register (CCR) is cleared, asserting the /BUSREQ would not cause the Z8S180 to exit STANDBY mode.

If STANDBY mode is exited due to a reset or an external interrupt, the Z8S180 remains relinquished from the system bus as long as /BUSREQ is active.



## STANDBY Mode Exit with External Interrupts

STANDBY mode can be exited by asserting input /NMI. The STANDBY mode may also exit by asserting /INT0, /INT1 or /INT2, depending on the conditions specified in the following paragraphs.

/INT0 wake-up requires assertion throughout duration of clock stabilization time ( $2^{17}$  clocks).

If exit conditions are met, the internal counter provides time for the crystal oscillator to stabilize, before the internal clocking and the system clock output within the Z8S180 are resumed.

### 1. Exit with Non-Maskable Interrupts

If /NMI is asserted, the CPU begins a normal NMI interrupt acknowledge sequence after clocking resumes.

### 2. Exit with External Maskable Interrupts

If an External Maskable Interrupt input is asserted, the CPU responds according to the status of the Global Interrupt Enable Flag IEF1 (determined by the ITE1 bit) and the settings of the corresponding interrupt enable bit in the Interrupt/Trap Control Register (ITC: I/O Address = 34H):

- a. If an interrupt source is disabled in the ITC, asserting the corresponding interrupt input would not cause the Z8S180 to exit STANDBY mode. This is true regardless of the state of the Global Interrupt Enable Flag IEF1.
- b. If the Global Interrupt Flag IEF1 is set to 1, and if an interrupt source is enabled in the ITC, asserting the corresponding interrupt input causes the Z8S180 to exit STANDBY mode. The CPU performs an interrupt acknowledge sequence appropriate to the input being asserted when clocking is resumed if:
  - The interrupt input follows the normal interrupt daisy chain protocol.
  - The interrupt source is active until the acknowledge cycle is completed.
- c. If the Global Interrupt Flag IEF1 is disabled, i.e., reset to 0, and if an interrupt source is enabled in the ITC, asserting the corresponding interrupt input will still cause the Z8S180 to exit STANDBY mode. The CPU will proceed to fetch and execute instructions that follow the SLEEP instruction when clocking is resumed.

If the External Maskable Interrupt input is not active when clocking resumes, the Z8S180 will not exit STANDBY mode. If the Non-Maskable Interrupt (/NMI) is not active when clocking resumes, the Z8S180 still exits the STANDBY mode even if the interrupt sources go away before the timer times out, because /NMI is edge-triggered. The condition is latched internally once /NMI is asserted Low.

## IDLE Mode

IDLE mode is another power-down mode offered by the Z8S180. To enter IDLE mode:

1. Set D6 and D3 to 0 and 1, respectively.
2. Set the I/O STOP bit (D5 of ICR, I/O Address = 3FH) to 1.
3. Execute the SLEEP instruction.

When the part is in IDLE mode, the clock oscillator is kept oscillating, but the clock to the rest of the internal circuit, including the CLKOUT, is stopped completely. IDLE mode is exited in a similar way as STANDBY mode, i.e., RESET, BUS REQUEST or EXTERNAL INTERRUPTS, except that the  $2^{17}$  bit wake-up timer is bypassed; all control signals are asserted eight clock cycles after the exit conditions are gathered.

## STANDBY-QUICK RECOVERY Mode

STANDBY-QUICK RECOVERY mode is an option offered in STANDBY mode to reduce the clock recovery time in STANDBY mode from  $2^{17}$  clock cycles (6.5 ms at 20 MHz) to  $2^6$  clock cycles (3.2  $\mu$ s at 20 MHz). **This feature can only be used when providing an oscillator as clock source.**

To enter STANDBY-QUICK RECOVERY mode:

1. Set D6 and D3 to 1 and 1, respectively.
2. Set the I/O STOP bit (D5 of ICR, I/O Address = 3FH) to 1.
3. Execute the SLEEP instruction.

When the part is in STANDBY-QUICK RECOVERY mode, the operation is identical to STANDBY mode except when exit conditions are gathered, i.e., RESET, BUS REQUEST or EXTERNAL INTERRUPTS; the clock and other control signals are recovered sooner than the STANDBY mode.

**Note:** If STANDBY-QUICK RECOVERY is enabled, the user must make sure stable oscillation is obtained within 64 clock cycles.

**Z8S180 MPU REGISTER MAP****Notes:**

Registers listed in **boldface type** represent new registers added to the Z8S180.

All register addresses not listed are Reserved.

Register Name	I/O Addr/Access	Register Name	I/O Addr/Access
ASCI Control Register A Ch 0	%0000/40/80 R/W	CPU Control Register	%001F/5F/9F R/W
ASCI Control Register A Ch 1	%0001/41/81 R/W	DMA Source Addr Register Ch OL	%0020/60/A0 R/W
ASCI Control Register B Ch 0	%0002/42/82 R/W	DMA Source Addr Register Ch OH	%0021/61/A1 R/W
ASCI Control Register B Ch 1	%0003/43/83 R/W	DMA Source Addr Register Ch OB	%0022/62/A2 R/W
ASCI Status Register Ch 0	%0004/44/84 R/W	DMA Dest Addr Register Ch OL	%0023/63/A3 R/W
ASCI Status Register Ch 1	%0005/45/85 R/W	DMA Dest Addr Register Ch OH	%0024/64/A4 R/W
ASCI TX Data Register Ch 0	%0006/46/86 R/W	DMA Dest Addr Register Ch OB	%0025/65/A5 R/W
ASCI TX Data Register Ch 1	%0007/47/87 R/W	DMA Byte Count Register Ch OL	%0026/66/A6 R/W
ASCI RX Data Register Ch 0	%0008/48/88 R/W	DMA Byte Count Register Ch OH	%0027/67/A7 R/W
ASCI RX Data Register Ch 1	%0009/49/89 R/W	DMA Memory Addr Register Ch 1L	%0028/68/A8 R/W
CSIO Control Register	%000A/4A/8A R/W	DMA Memory Addr Register Ch 1H	%0029/69/A9 R/W
CSIO Transmit/Receive Data Reg.	%000B/4B/8B R/W	DMA Memory Addr Register Ch 1B	%002A/6A/AA R/W
Timer Data Register Ch OL	%000C/4C/8C R/W	DMA I/O Addr Register Ch 1L	%002B/6B/AB R/W
Timer Data Register Ch OH	%000D/4D/8D R/W	DMA I/O Addr Register Ch 1H	%002C/6C/AC R/W
Reload Register Ch OL	%000E/4E/8E R/W	<b>DMA I/O Addr Register Ch 1B</b>	<b>%002D/6D/ADR/W</b>
Reload Register Ch OH	%000F/4F/8F R/W	DMA Byte Count Register Ch 1L	%002E/6E/AE R/W
Timer Control Register	%0010/50/90	DMA Byte Count Register Ch 1H	%002F/6F/AF R/W
<b>ASCI0 Extension Control Reg.</b>	<b>%0012/52/92 R/W</b>	DMA Status Register	%0030/70/B0 R/W
<b>ASCI1 Extension Control Reg.</b>	<b>%0013/53/93 R/W</b>	DMA Mode Register	%0031/71/B1 R/W
Timer Data Register Ch 1L	%0014/54/94 R/W	DMA Mode Register	%0031/71/B1 R/W
Timer Data Register Ch 1H	%0015/55/95 R/W	DMA/WAIT Control Register	%0032/72/B2 R/W
Timer Reload Register Ch 1L	%0016/56/96 R/W	IL Register	%0033/73/B3 R/W
Timer Reload Register Ch 1H	%0017/57/97 R/W	INT/TRAP Control Register	%0034/74/B4 R/W
Free Running Counter	%0018/58/98 R/W	Refresh Control Register	%0036/76/B6 R/W
<b>ASCI0 Time Constant Low</b>	<b>%001A/5A/9A R/W</b>	MMU Common Base Register	%0038/78/B8 R/W
<b>ASCI0 Time Constant High</b>	<b>%001B/5B/9B R/W</b>	MMU Bank Base Register	%0039/79/B9 R/W
<b>ASCI1 Time Constant Low</b>	<b>%001C/5C/9C R/W</b>	MMU Common/Bank Area Register	%003A/7A/BA R/W
<b>ASCI1 Time Constant High</b>	<b>%001D/5D/9D RW</b>	Operation Mode Control Register	%003E/7E/BE R/W
<b>Clock Multiplier Register</b>	<b>%001E/5E/9E RW</b>	I/O Control Register	%003F/7F/BF R/W

Z8S180 MPU REGISTERS

ASCII CHANNELS CONTROL REGISTERS

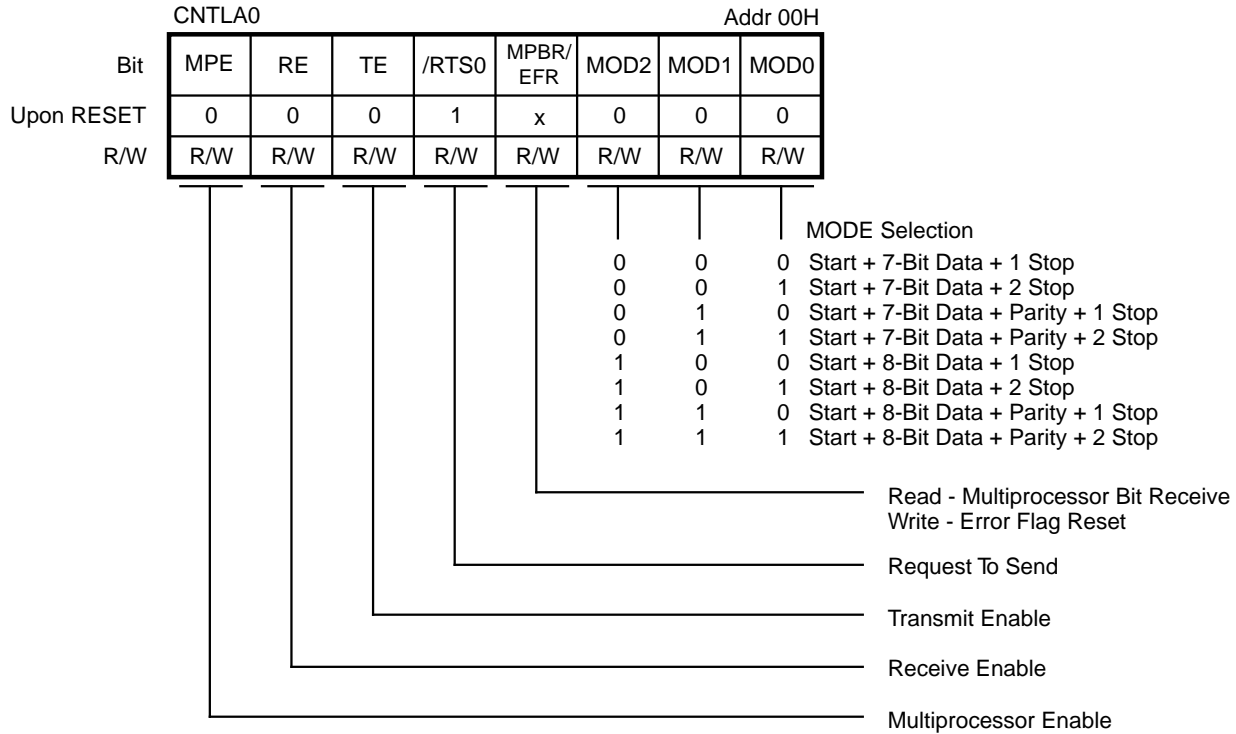


Figure 32. ASCII Control Register A (Ch. 0)

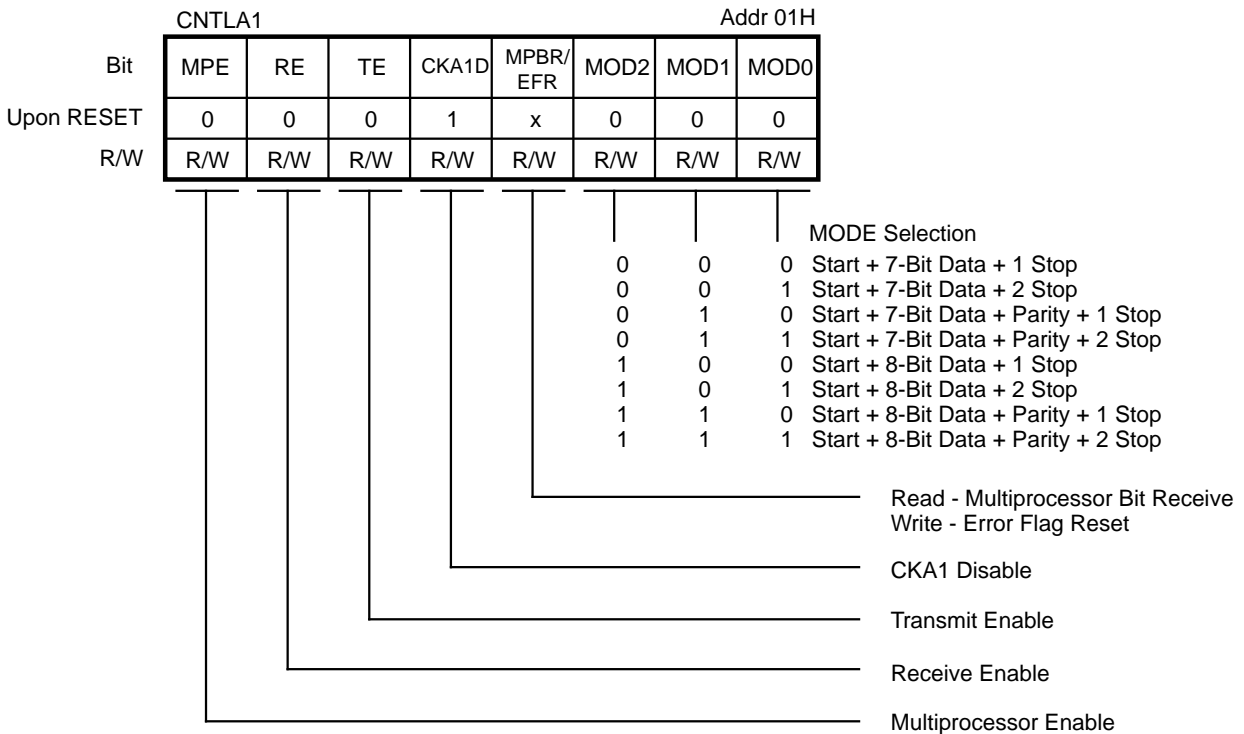
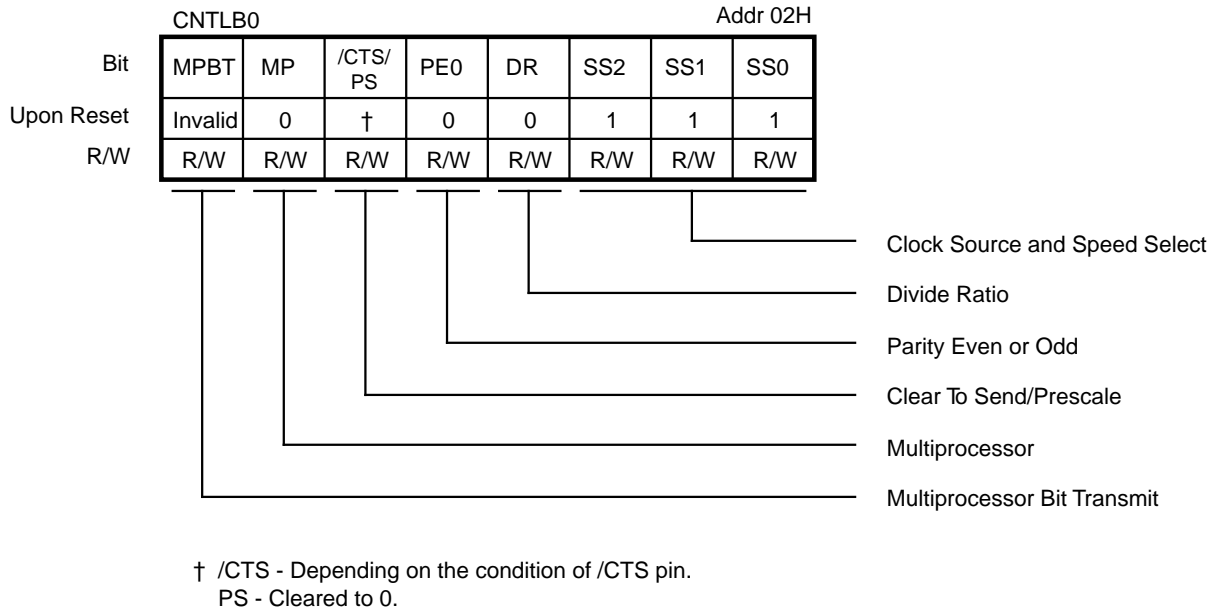


Figure 33. ASCII Control Register A (Ch. 1)

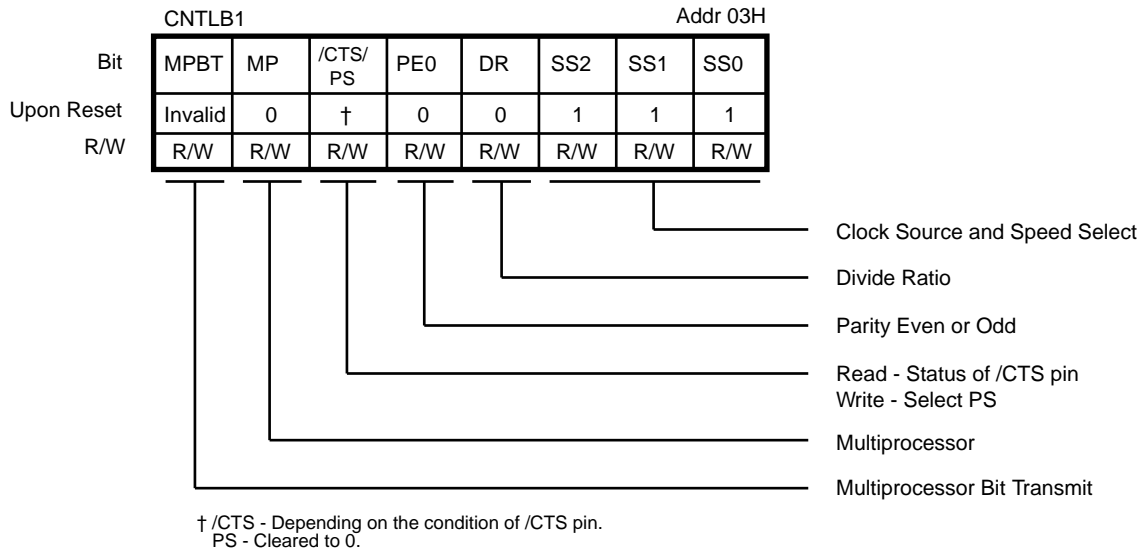
## Z8S180 MPU REGISTERS (Continued)

## ASCII CHANNELS CONTROL REGISTERS



General Divide Ratio	PS = 0 (Divide Ratio = 10)	PS = 1 (Divide Ratio = 30)		
<b>SS, 2, 1, 0</b>	<b>DR = 0 (x16)</b>	<b>DR = 1 (x64)</b>	<b>DR = 0 (x16)</b>	<b>DR = 1 (x64)</b>
000	$\emptyset \div 160$	$\emptyset \div 640$	$\emptyset \div 480$	$\emptyset \div 1920$
001	$\emptyset \div 320$	$\emptyset \div 1280$	$\emptyset \div 960$	$\emptyset \div 3840$
010	$\emptyset \div 640$	$\emptyset \div 2560$	$\emptyset \div 1920$	$\emptyset \div 7680$
011	$\emptyset \div 1280$	$\emptyset \div 5120$	$\emptyset \div 3840$	$\emptyset \div 15360$
100	$\emptyset \div 2560$	$\emptyset \div 10240$	$\emptyset \div 7680$	$\emptyset \div 30720$
101	$\emptyset \div 5120$	$\emptyset \div 20480$	$\emptyset \div 15360$	$\emptyset \div 61440$
110	$\emptyset \div 10240$	$\emptyset \div 40960$	$\emptyset \div 30720$	$\emptyset \div 122880$
111	External Clock (Frequency < $\emptyset$ )			

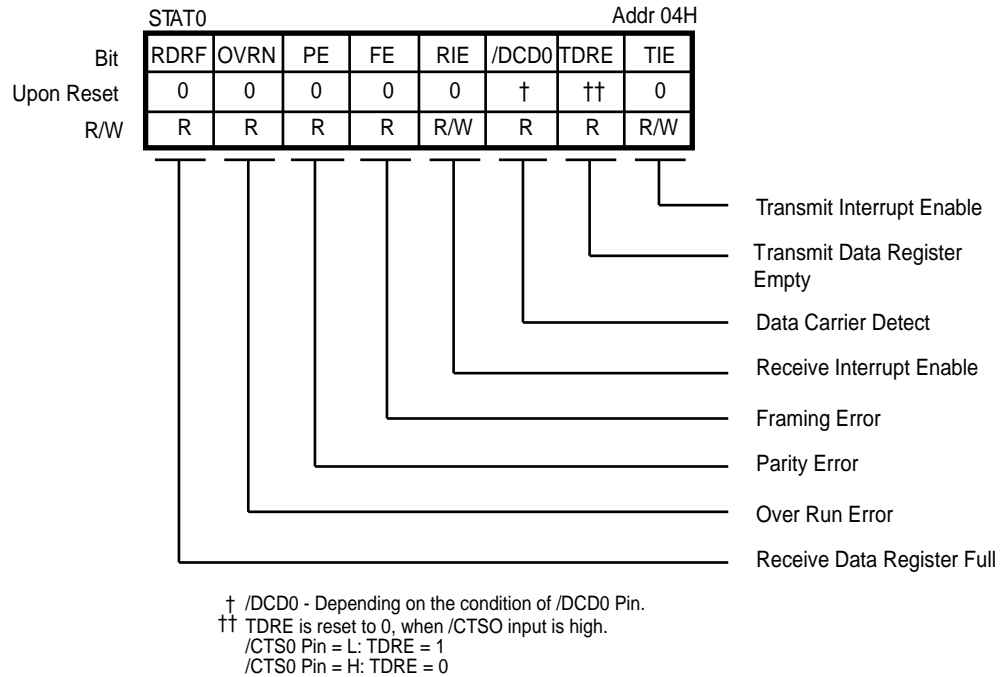
Figure 34. ASCII Control Register B (Ch. 0)



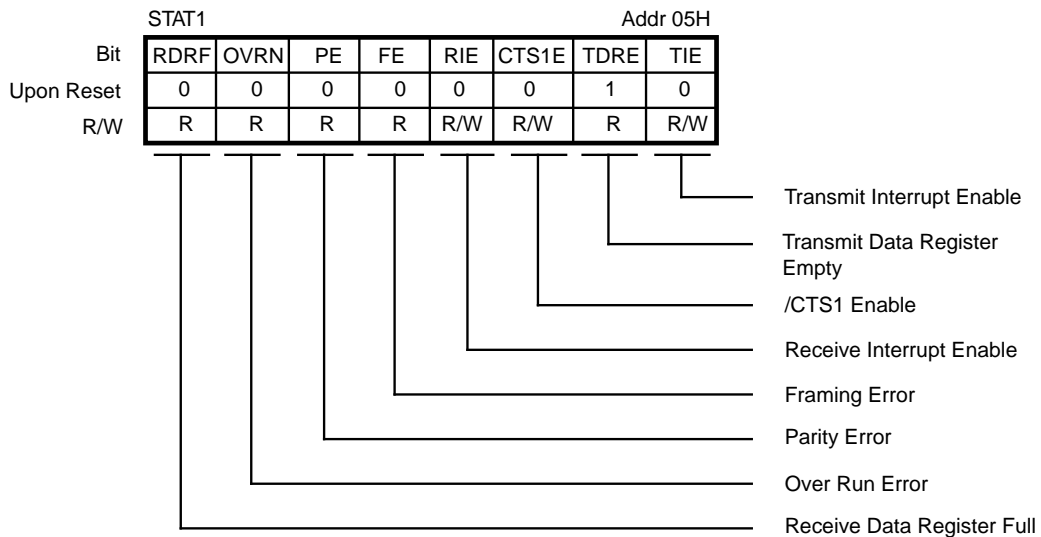
General Divide Ratio SS, 2, 1, 0	PS = 0 (Divide Ratio = 10)		PS = 1 (Divide Ratio = 30)	
	DR = 0 (x16)	DR = 1 (x64)	DR = 0 (x16)	DR = 1 (x64)
000	$\emptyset \div 160$	$\emptyset \div 640$	$\emptyset \div 480$	$\emptyset \div 1920$
001	$\emptyset \div 320$	$\emptyset \div 1280$	$\emptyset \div 960$	$\emptyset \div 3840$
010	$\emptyset \div 640$	$\emptyset \div 2560$	$\emptyset \div 1920$	$\emptyset \div 7680$
011	$\emptyset \div 1280$	$\emptyset \div 5120$	$\emptyset \div 3840$	$\emptyset \div 15360$
100	$\emptyset \div 2560$	$\emptyset \div 10240$	$\emptyset \div 7680$	$\emptyset \div 30720$
101	$\emptyset \div 5120$	$\emptyset \div 20480$	$\emptyset \div 15360$	$\emptyset \div 61440$
110	$\emptyset \div 10240$	$\emptyset \div 40960$	$\emptyset \div 30720$	$\emptyset \div 122880$
111	External Clock (Frequency < $\emptyset$ )			

Figure 35. ASCI Control Register B (Ch. 1)

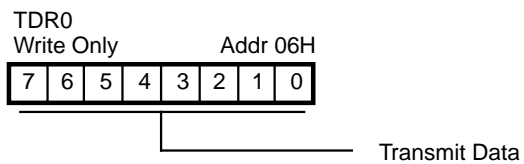
## ASCII CHANNELS CONTROL REGISTERS (Continued)



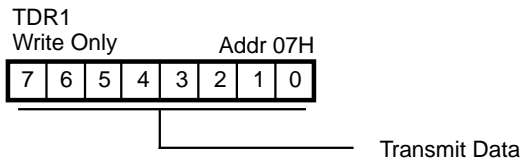
**Figure 36. ASCII Status Register**



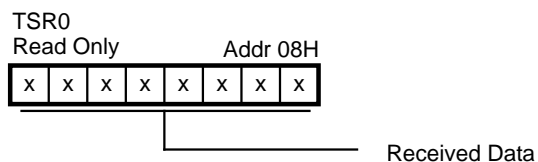
**Figure 37. ASCII Status Register (Ch. 1)**



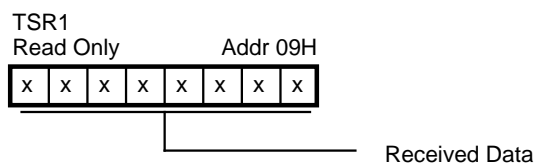
**Figure 38. ASCII Transmit Data Register (Ch. 0)**



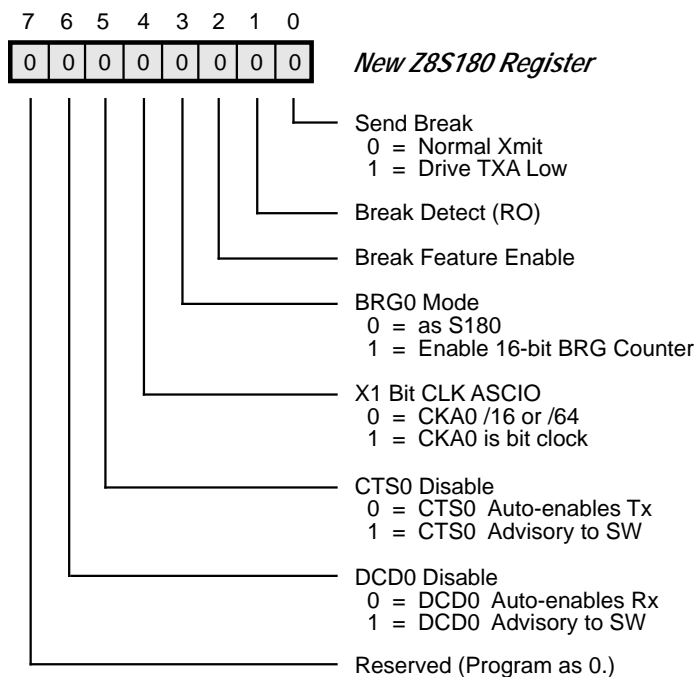
**Figure 39. ASCII Transmit Data Register (Ch. 1)**



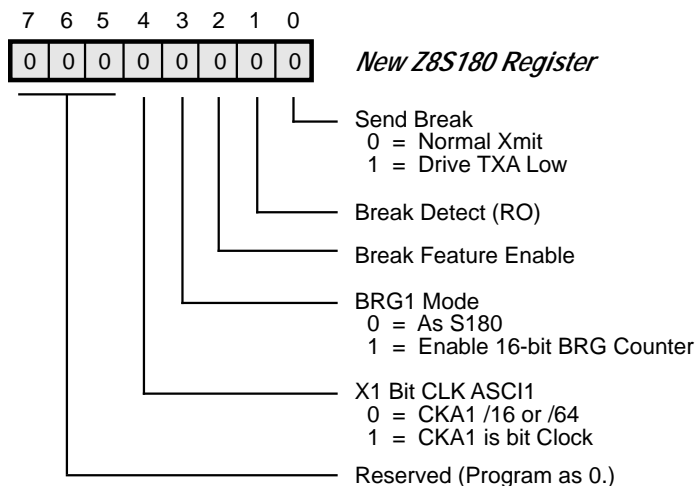
**Figure 40. ASCII Receive Data Register (Ch. 0)**



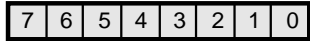
**Figure 41. ASCII Receive Data Register (Ch. 1)**



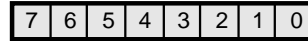
**Figure 42. ASCII0 Extension Control Register (I/O Address 12)**



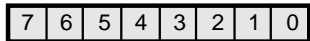
**Figure 43. ASCII1 Extension Control Register (I/O Address 13)**

**ACSI TIME CONSTANT REGISTERS***New Z8S180 Registers*

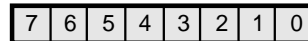
Register: ASCI0 Time Constant Low  
Address: 1Ah



Register: ASCI1 Time Constant Low  
Address: 1Ch



Register: ASCI0 Time Constant High  
Address: 1Bh



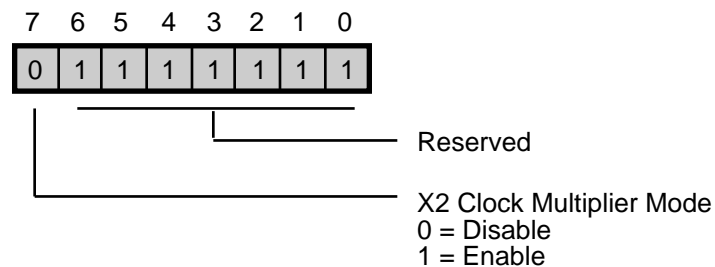
Register: ASCI1 Time Constant High  
Address: 1Dh

**CLOCK MULTIPLIER REGISTER (Z180 MPU ADDRESS 1EH)**

**Bit 7.** *X2 Clock Multiplier Mode.* When this bit is set to 1, this allows the programmer to double the internal clock from that of the external clock. This feature will only operate effectively with frequencies of 10-16 MHz (20-33 MHz internal).

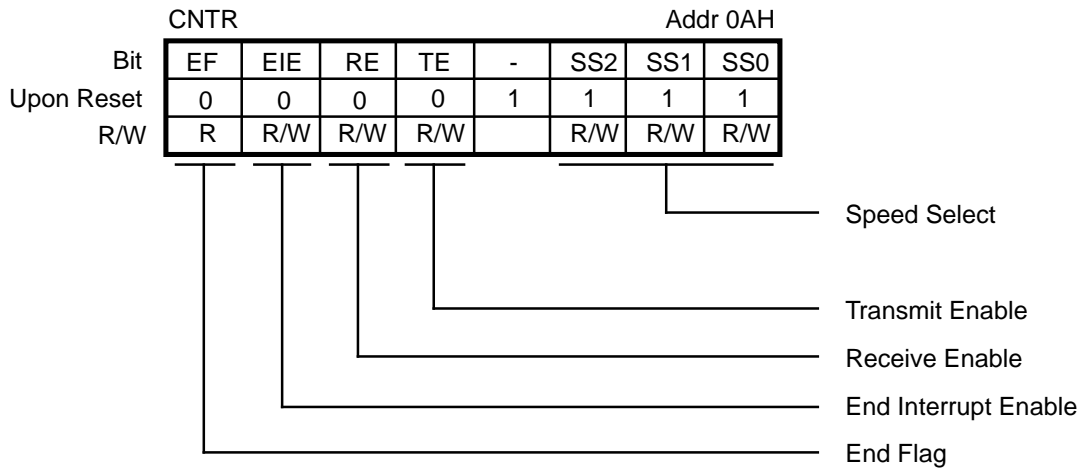
When this bit is set to 0, the Z189 device will operate in normal mode. Upon powerup, this feature is disabled.

**Bit 0-6.** *Reserved.* Maintains a logic 1 value when read.

*New Z8S180 Register*

**Figure 44. Clock Multiplier Register**  
(Z180 MPU Address 1EH)

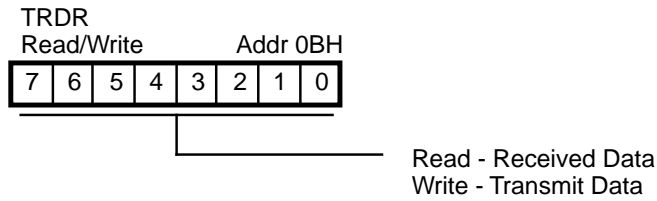




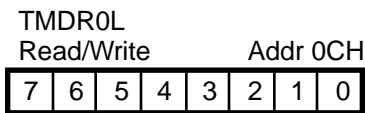
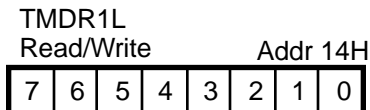
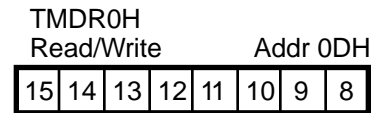
SS2, 1, 0	Baud Rate
000	$\emptyset \div 20$
001	$\emptyset \div 40$
010	$\emptyset \div 80$
011	$\emptyset \div 100$

SS2, 1, 0	Baud Rate
100	$\emptyset \div 320$
101	$\emptyset \div 640$
110	$\emptyset \div 1280$
111	External Clock (Frequency < $\emptyset \div 20$ )

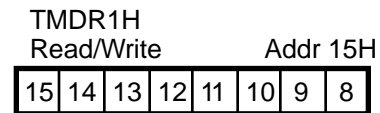
**Figure 45. CSI/O Control Register**



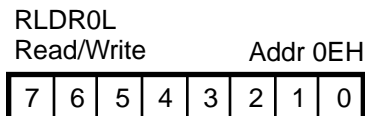
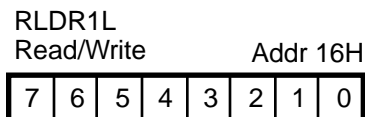
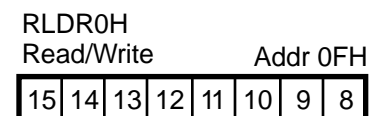
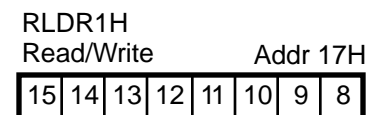
**Figure 46. CSI/O Transmit/Receive Data Register**

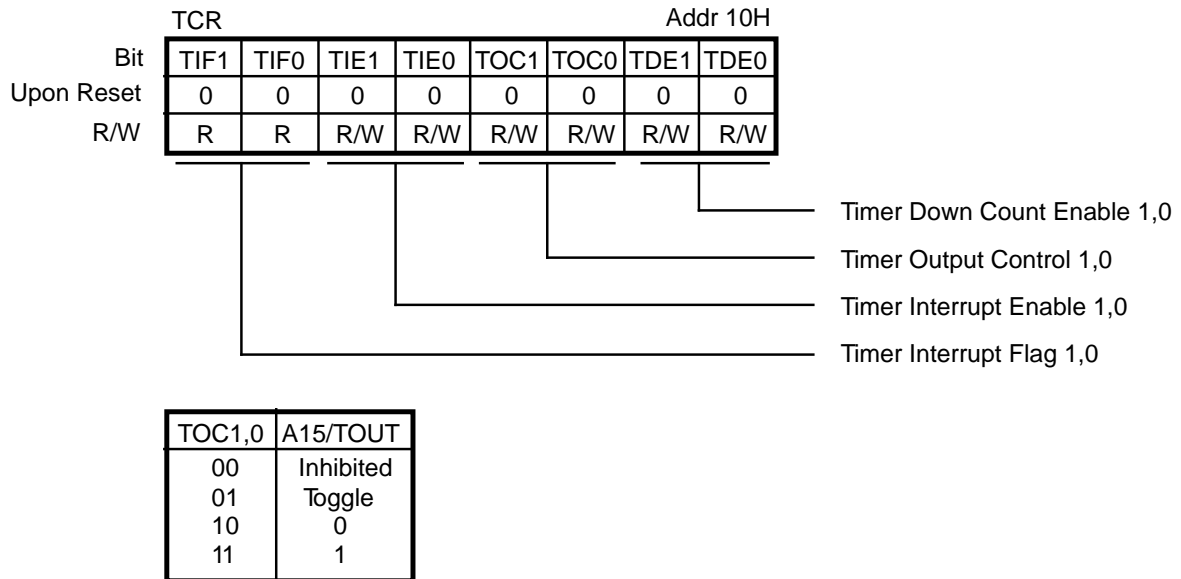
**TIMER DATA REGISTERS****Figure 47. Timer 0 Data Register L****Figure 48. Timer 1 Data Register L**

When Read, read Data Register L  
before reading Data Register H.

**Figure 49. Timer 0 Data Register H**

When Read, read Data Register L  
before reading Data Register H.

**Figure 50. Timer 1 Data Register H****TIMER RELOAD REGISTERS****Figure 51. Timer 0 Reload Register L****Figure 52. Timer 1 Reload Register L****Figure 53. Timer 0 Reload Register H****Figure 54. Timer 1 Reload Register H**

**TIMER CONTROL REGISTER****Figure 55. Timer Control Register**

## FREE RUNNING COUNTER

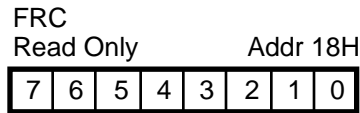


Figure 56. Free Running Counter

## CPU CONTROL REGISTER

The Z8S180 has an additional register which allows the programmer to select options that directly affect the CPU performance as well as controlling the STANDBY operating mode of the chip. The CPU Control Register (CCR) allows the programmer to change the divide-by-two internal clock to divide-by-one. In addition, applications where

EMI noise is a problem, the Z8S180 can reduce the output drivers on selected groups of pins to 33% of normal pad driver capability which minimizes the EMI noise generated by the part.

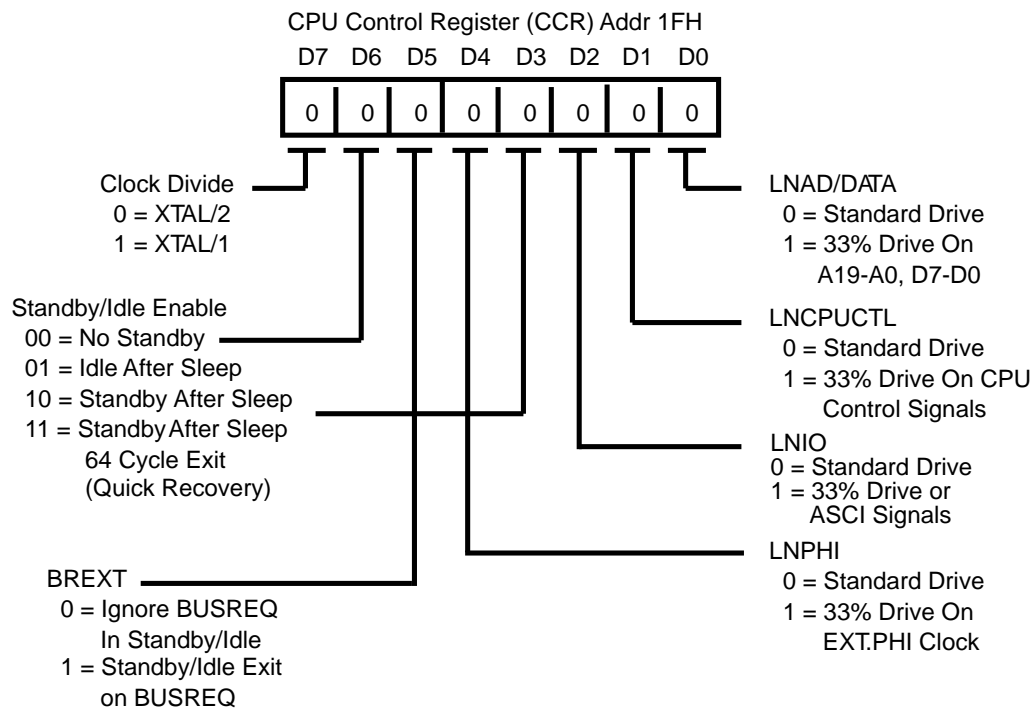


Figure 57. CPU Control Register

**Bit 7. Clock Divide Select.** Bit 7 of the CCR allows the programmer to set the internal clock to divide the external clock by 2 if the bit is 0 and divide-by-one if the bit is 1. Upon reset, this bit is set to 0 and the part is in divide-by-two mode. Since the on-board oscillator is not guaranteed to operate above 20 MHz, an external source must be used to achieve the maximum 33 MHz operation of the part, i.e., an external clock at 66 MHz with 50% duty cycle.

If an external oscillator is used in divide-by-one mode, the minimum pulse width requirement must be satisfied.

**Bits 6 and 3. STANDBY/IDLE Enable.** These two bits are used for enabling/disabling the IDLE and STANDBY mode.

Setting D6, D3 to 0 and 1, respectively, enables the IDLE mode. In the IDLE mode, the clock oscillator is kept oscillating but the clock to the rest of the internal circuit, including the CLKOUT, is stopped. The Z8S180 enters IDLE mode after fetching the second opcode of a SLEEP instruction, if the I/O STOP bit is set.

Setting D6, D3 to 1 and 0, respectively, enables the STANDBY mode. In the STANDBY mode, the clock oscillator is stopped completely. The Z8S180 enters STANDBY after fetching the second opcode of a SLEEP instruction, if the I/O STOP bit is set.

Setting D6, D3 to 1 and 1, respectively, enables the STANDBY-QUICK RECOVERY mode. In this mode, its operations are identical to STANDBY except that the clock recovery is reduced to 64 clock cycles after the exit conditions are gathered. Similarly, in STANDBY mode, the Z8S180 enters STANDBY after fetching the second opcode of a SLEEP instruction, if the I/O STOP bit is set.

**Bit 5. BREXT.** This bit controls the ability of the Z8S180 to honor a bus request during STANDBY mode. If this bit is set to 1 and the part is in STANDBY mode, a BUSREQ is honored after the clock stabilization timer is timed out.

**Bit 4. LNPHI.** This bit controls the drive capability on the PHI Clock output. If this bit is set to 1, the PHI Clock output is reduced to 33% of its drive capability.

**Bit 2. LNIO.** This bit controls the drive capability of the external I/O pins of the Z80189/Z80L189. When this bit is set to 1, the output drive capability of the following pins is reduced to 33% of the original drive capability:

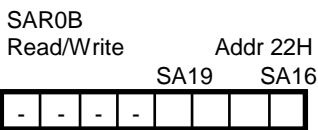
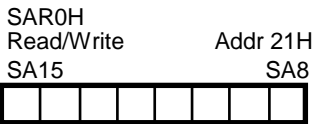
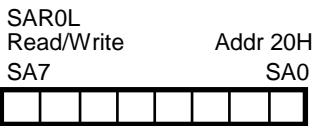
- CKS
- RxS/CTS1
- TxS
- CKAI/TEND0
- TxAI
- CKA0/DREQ0
- TxA0
- /RTS0

**Bit 1. LNCPUCTL.** This bit controls the drive capability of the CPU Control pins. When this bit is set to 1, the output drive capability of the following pins is reduced to 33% of the original drive capability:

- /BUSACK
- /RD
- /WR
- /M1
- E
- /MREQ
- /IORQ
- /RFSH
- /HALT
- /TEND1
- TEST
- STATUS

**Bit 0. LNAD/DATA.** This bit controls the drive capability of the Address/Data bus output drivers. If this bit is set to 1, the output drive capability of the Address and Data bus output is reduced to 33% of its original drive capability.

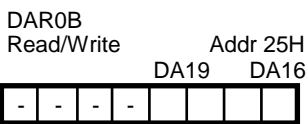
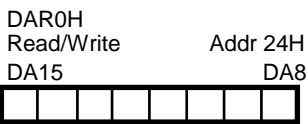
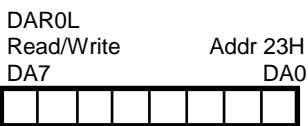
**DMA REGISTERS**



Bits 0-2 (3) are used for SAR0B

A19, A18, A17, A16	DMA Transfer Request
x x 0 0	ext (CKA0//DREQ0)
x x 0 1	ASCI0 Rx
x x 1 0	ASCI1 Rx
x x 1 1	ext (/DREQ1)

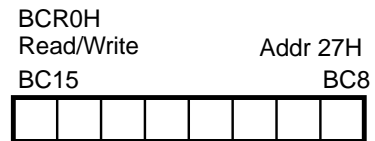
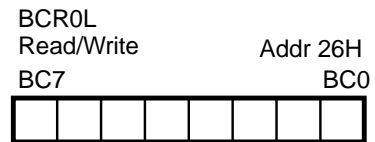
**Figure 58. DMA 0 Source Address Registers**



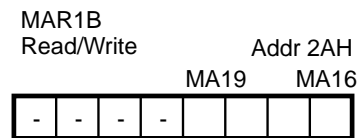
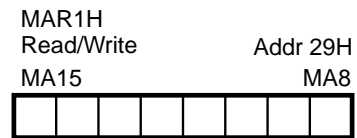
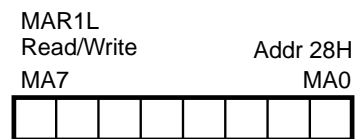
Bits 0-2 (3) are used for DAR0B

A19, A18, A17, A16	DMA Transfer Request
x x 0 0	ext (CKA0//DREQ0)
x x 0 1	ASCI0 Tx
x x 1 0	ASCI1 Tx
x x 1 1	ext (/DREQ1)

**Figure 59. DMA 0 Destination Address Registers**



**Figure 60. DMA 0 Byte Counter Registers**



**Figure 61. DMA 1 Memory Address Registers**

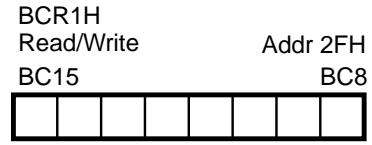
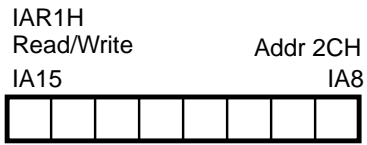
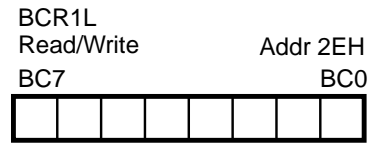
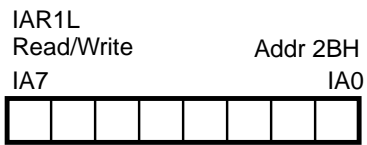


Figure 62. DMA I/O Address Registers

Figure 63. DMA 1 Byte Count Registers

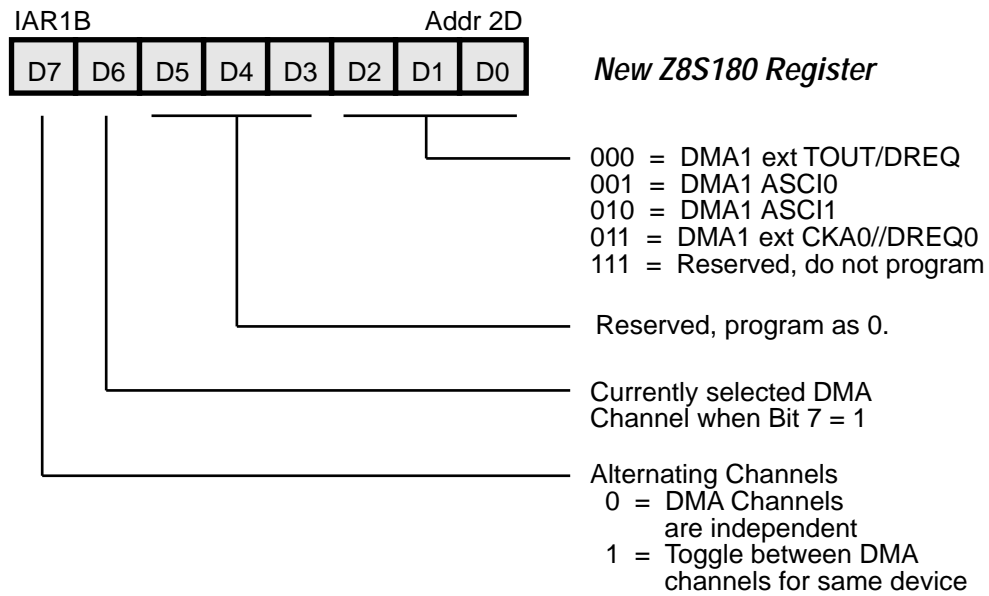


Figure 64. DMA I/O Address Register Ch. 1

**DMA REGISTER DESCRIPTION**

**Bit 7.** This bit should be set to 1 only when both DMA channels are set to take their requests from the same device. If this bit is 1 (it resets to 0), the TEND output of DMA channel 0 sets a flip-flop, so that thereafter the device's request is visible to channel 1, but is not visible to channel 0. The internal TEND signal of channel 1 clears the FF, so that thereafter, the device's request is visible to channel 0, but not visible to channel 1.

If DMA requests are from differing sources, DMA channel 0 request will be forced onto DMA channel 1 once TEND output of DMA channel 0 sets the flop-flop to alternate.

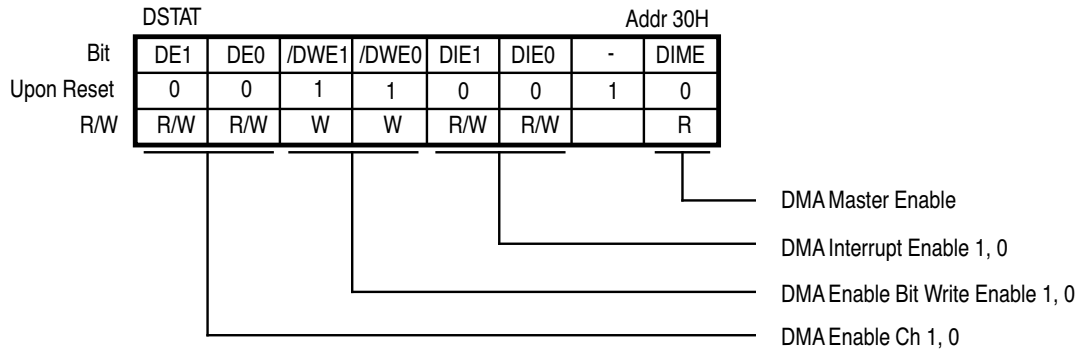
**Bit 6.** When both DMA channels are programmed to take their requests from the same device, this bit (FF mentioned in the previous paragraph) controls which channel the device's request is presented to: 0 = DMA 0, 1 = channel 1. When bit 7 is 1, this bit is automatically toggled by the channel end output of the channels, as described above.

**Bits 5-3.** Reserved and should be programmed as 0.

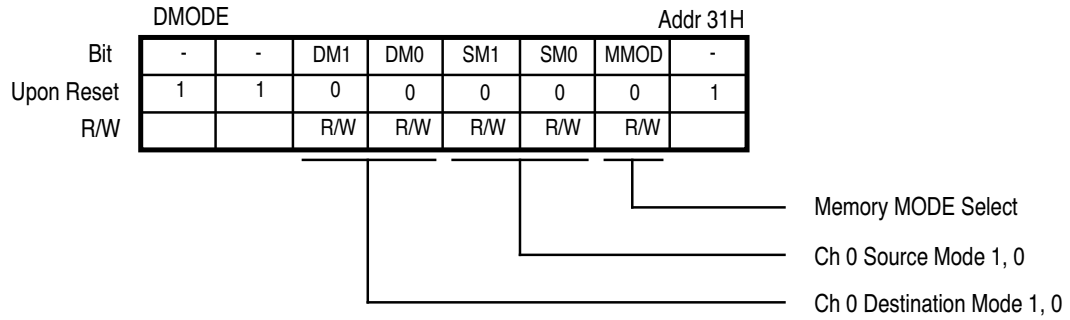
**Bits 2-0.** With "DIM1", bit 1 of DCNTL, these bits control which request is presented to DMA channel 1, as follows:

DIM1	IAR18-16	Request Routed to DMA Channel 1
0	000	/DREQ1
0	001	ASCI0 Tx
0	010	ASCI1 Tx
0	011	ext CKA0//DREQ0
0	10X	Reserved, do not program.
0	1X0	Reserved, do not program.
0	111	Reserved, do not program
1	000	ext /DREQ1
1	001	ASCI0 Rx
1	010	ASCI1 Rx
1	011	ext CKA0//DREQ0
1	10X	Reserved, do not program.
1	1X0	Reserved, do not program.
1	111	Reserved, do not program





**Figure 65. DMA Status Register**



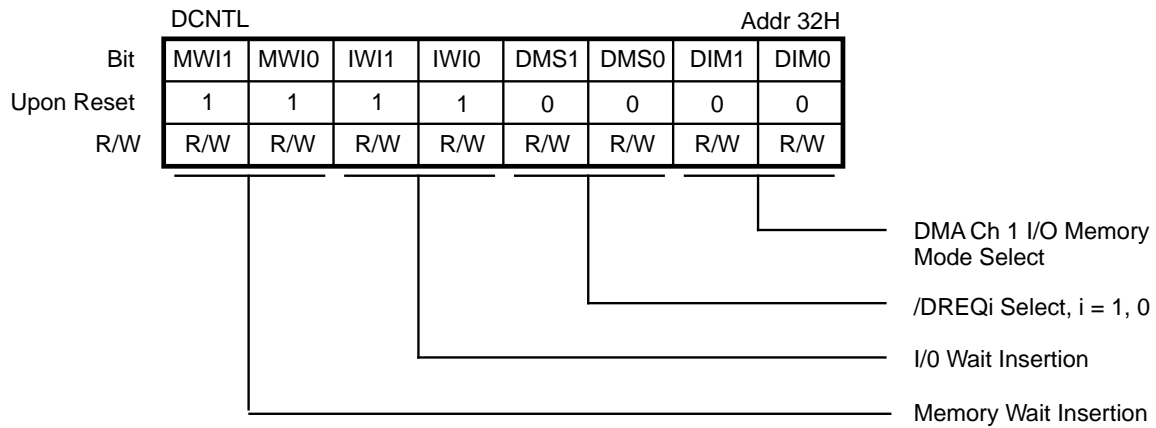
DM1, 0	Destination	Address
00	M	DAR0+1
01	M	DAR0-1
10	M	DAR0 Fixed
11	I/O	DAR0 Fixed

SM1, 0	Source	Address
00	M	SAR0+1
01	M	SAR0-1
10	M	SAR0 Fixed
11	I/O	SAR0 Fixed

MMOD	Mode
0	Cycle Steal Mode
1	Burst Mode

**Figure 66. DMA Mode Registers**

## DMA REGISTERS (Continued)



* MWI1, 0		No. of Wait States		IWI1, 0		No. of Wait States	
00		0		00		1	
01		1		01		2	
10		2		10		3	
11		3		11		4	

DMSi	Sense
1	Edge Sense
0	Level Sense

DM1, 0	Transfer Mode	Address Increment/Decrement	
00	M - I/O	MAR1+1	IAR1 Fixed
01	M - I/O	MAR1-1	IAR1 Fixed
10	I/O - M	IAR1 Fixed	MAR1+1
11	I/O - M	IAR1 Fixed	MAR1-1

**Note:**

\* If using ROM/RAM Chip Select wait state generators, the Z180 wait state generator should be set to 0.

Figure 67. DMA/WAIT Control Register

## SYSTEM CONTROL REGISTERS

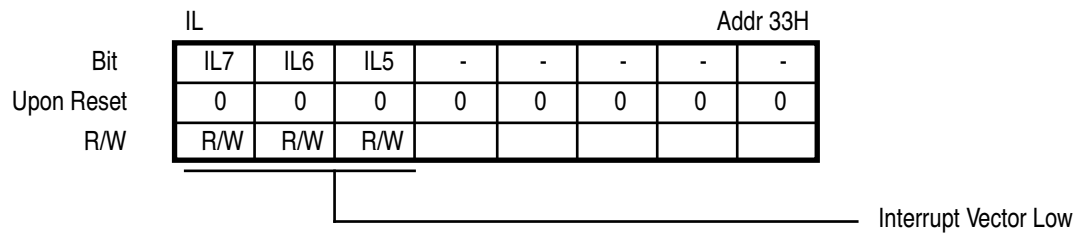


Figure 68. Interrupt Vector Low Register

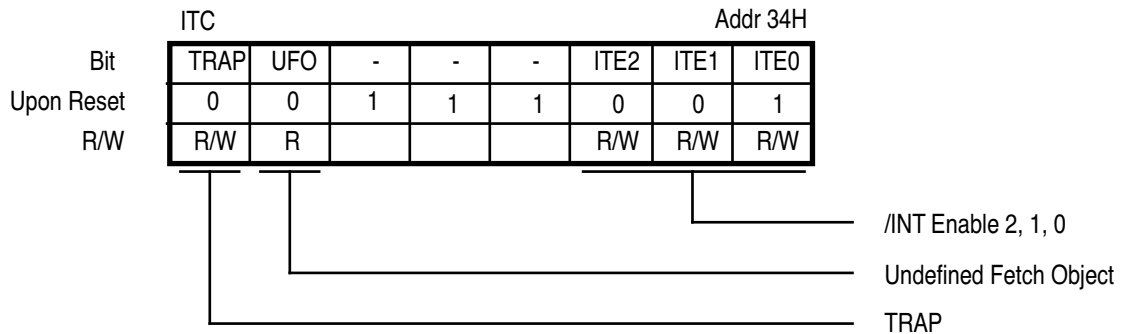
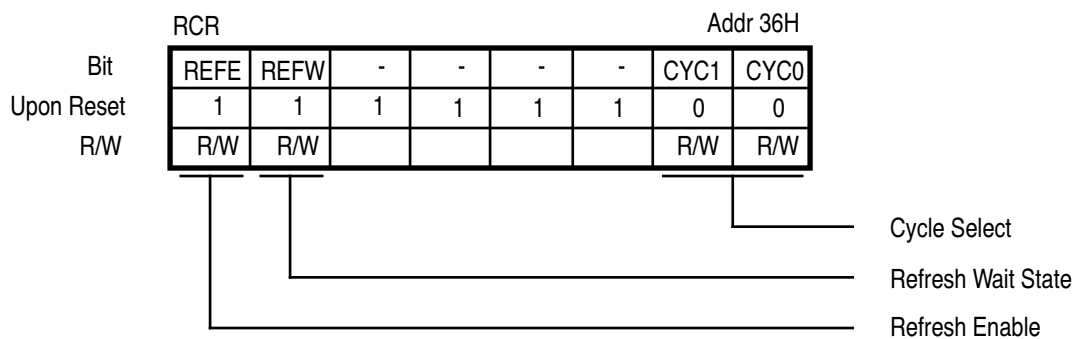


Figure 69. INT/TRAP Control Register



CYC1, 0	Interval of Refresh Cycle
00	10 states
01	20 states
10	40 states
11	80 states

Figure 70. Refresh Control Register

## MMU REGISTERS

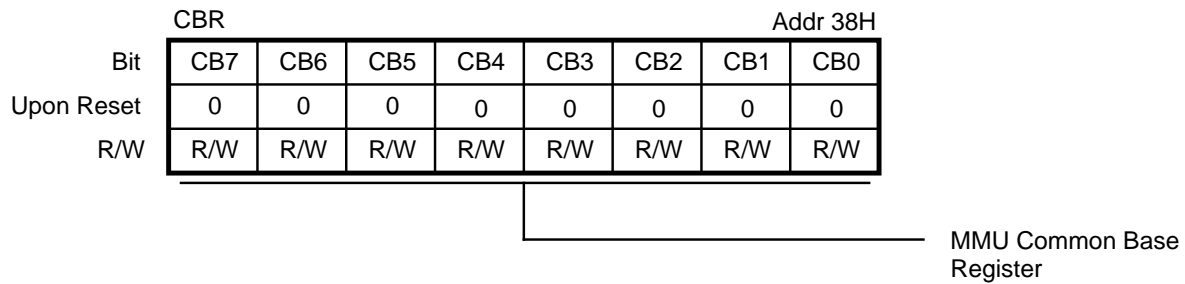


Figure 71. MMU Common Base Register

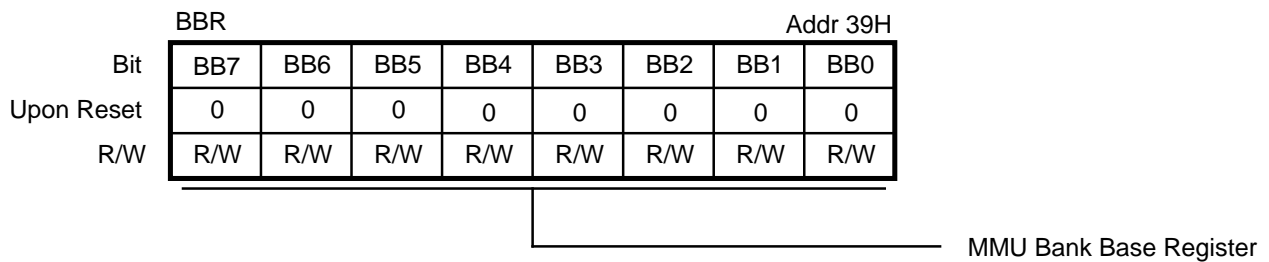


Figure 72. MMU Bank Base Register

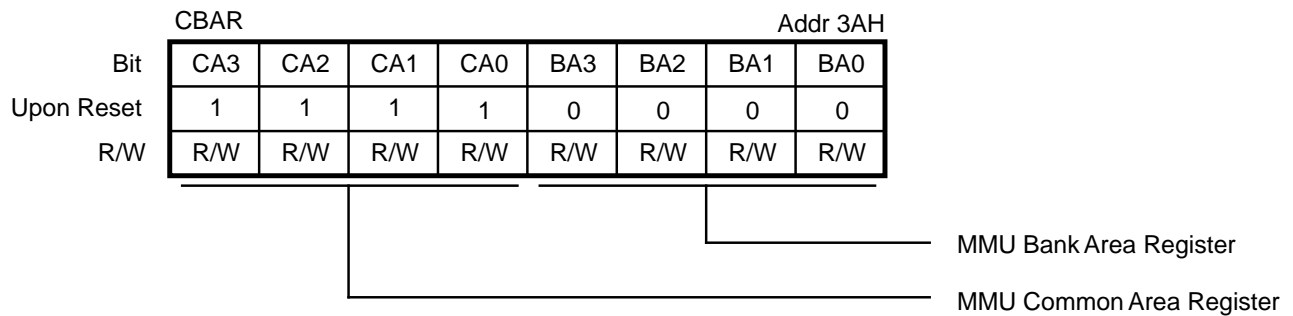
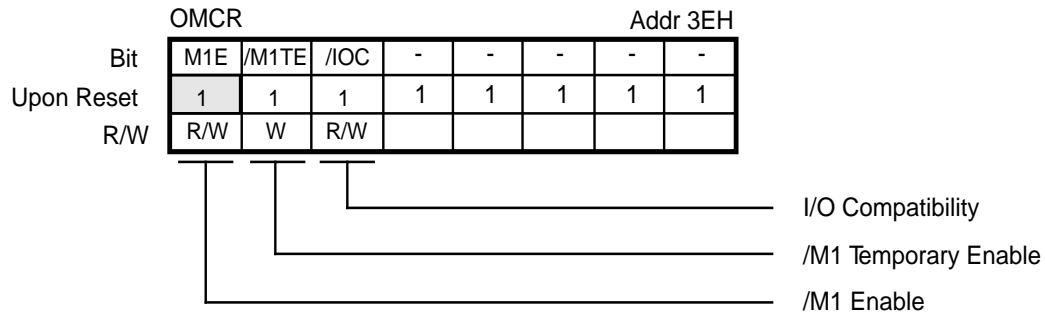


Figure 73. MMU Common/Bank Area Register

## SYSTEM CONTROL REGISTERS

**Notes:**

1. This register should be programmed to 0x0xxxxxb (x = don't care) as a part of Initialization.
2. If the M1E bit is set to 1, the processor does not fetch a RETI instruction.

Figure 74. Operation Mode Control Register

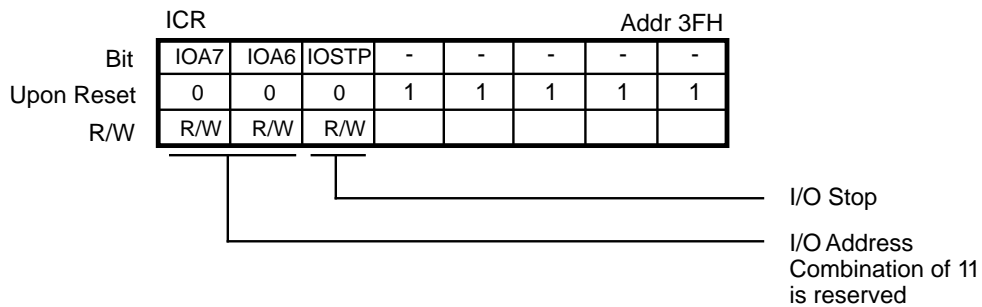


Figure 75. I/O Control Register

**Z80189 MIMIC REGISTER MAP**

Register Name	MPU Addr/Access	PCAddr/Access
MMC MIMIC Master Control Reg.	XXFF R/W	None
IUS/IP Interrupt Pending	XXFE R/Wb7	None
IE Interrupt Enable	XXFD R/W	None
IVEC Interrupt Vector	XXFC R/W	None
RTCR Receive Time Constant	XXFB R/W	None
TTCR Transmit Time Constant	XXFA R/W	None
DLM Divisor Latch (MSByte)	XXF9 R only	01,DLAB=1,R/W
DLL Divisor Latch (LSByte)	XXF8R only	00,DLAB=1,R/W
SCR Scratch Register	XXF7 R only	07 R/W
MSR Modem Status Register	XXF6 R/Wb7-4	06 R only
LSR Line Status Register	XXF5 R/Wb6432	05 R only
MCR Modem Control Register	XXF4 R only	04 R/W
LCR Line Control Register	XXF3 R only	03 R/W
IER Interrupt Enable Register	XXF1 R only	01,DLAB=0 R/W
RBR Receiver Buffer Register	XXF0 W only	00,DLAB=0 R only
THR Transmitter Holding Reg.	XXF0 R only	00,DLAB=0 W only
FSCR FIFO Status and Control	XXEC R/W7-4	None
TTTC Tran. Timeout Time Const.	XXEB R/W	None
RTTC Rec. Timeout Time Const.	XXEA R/W	None
IIR Interrupt Identification	None	02 R only
FCR FIFO Control Register	XXE9 R only	02 W only

**Z80189 PC DMA MAILBOX BRG,COM\_PORT, PIA AND MISC REGISTERS**

Register Name	MPU Addr/Access	PCAddr/Access
PA Data Direction Register	XXEDH R/W	None
PA Data Register	XXEEH R/W	None
MIMIC Modification Register	XXE9 W only	None
ROM Address Boundary Reg.	XXE8 R/W	None
RAMLBR RAM Lower Boundary Reg.	XXE7 R/W	None
RAMUBR RAM Upper Boundary Reg.	XXE6 R/W	None
PB Data Register	XXE5 R/W	None
PB Data Direction Register	XXE4 R/W	None
BRG High Constant	XXE1 R/W	None
BRG Low Constant	XXE0 R/W	None
Interrupt Edge/Pin Mux Control	XXDF R/W	None
PC Data Register	XXDE R/W	None
PC Data Direction Register	XXDD R/W	None
Z80189 Enhancements Register	XXD9 R/W	None
WSG Chip Select Register	XXD8 R/W	None
IOBRG Register	XXD6 R/W	None
COM Decode Register	XXD7 R/W	None
System Configuration Register	XXEF R/W	None

**Z80189 MAILBOX REGISTER MAP**

Register Name	MPU Addr/Access	PC Addr/Access
Host I/O Status Register	%XXD5 W bit 1/R	Prog + 10b R (2)
Host Output Register 1	%XXD4 R	Prog + 01b W (2)
Host Input Register 1	%XXD4 W	Prog + 01b R (2)
Host Output Register 0	%XXD3 R	Prog + 00b W (2)
Host DMA Mailbox Cntrl Reg	%XXD2 R/W	None
Host DMA Transmit Register 1	%XXD1 R	DMA1 W (3)
Host DMA Receive Register 1	%XXD1 W	DMA1 R
Host DMA Transmit Register 0	%XXD0 R (1)	DMA0 W
Host DMA Receive Register 0	%XXD0 W	DMA0 R

1. This register is defaulted to 91h to indicate revision code.  
(Z189 revision #1 - Z80189AA)
2. The PC Host Addresses are HA9:2 are programmable by writing to PADATA.
3. The HDMAT1 can be used as an extra host output mailbox register. If the Host DMA Mailbox 1 function is disabled (bit 1 of HMC register is zero), a Host write in the programmed Mailbox range with HA1, 0=1, 1 will cause the host data to be latched into the HDMAT1 register.

**Note:** All register addresses not listed are Reserved.

## 16550 MIMIC INTERFACE

The Z80189 has a 16550 MIMIC interface that allows it to mimic the 16550 device. It has all the interface pins necessary to connect up to the PC/XT/AT bus without any extra circuitry. It contains the complete register set of the 16550 part with the same interrupt structure. The data path allows parallel transfer of data to and from the register set by the internal Z80180 of the Z80189. There is no shift register associated with the MIMIC of the 16550 UART. This interface saves the application from doing a serial transfer before performing data compression or error correction on the data.

Control of the register set is maintained by six priority encoded interrupts to the Z80189. When the PC/XT/AT writes to THR, MCR, LCR, DLL, DLM, FCR or reads the RBR, an interrupt to the Z80189 is generated. Each interrupt can be individually masked off or all interrupts can be disabled by writing a single bit. Both mode 0, mode 1 and mode 2 interrupts are supported by the 16550 MIMIC interface.

Two 8-bit timers are also available to control the data transfer rate of the 16550 MIMIC interface. Their input is tied to the BRG clock so a down count of 24 bits is possible.

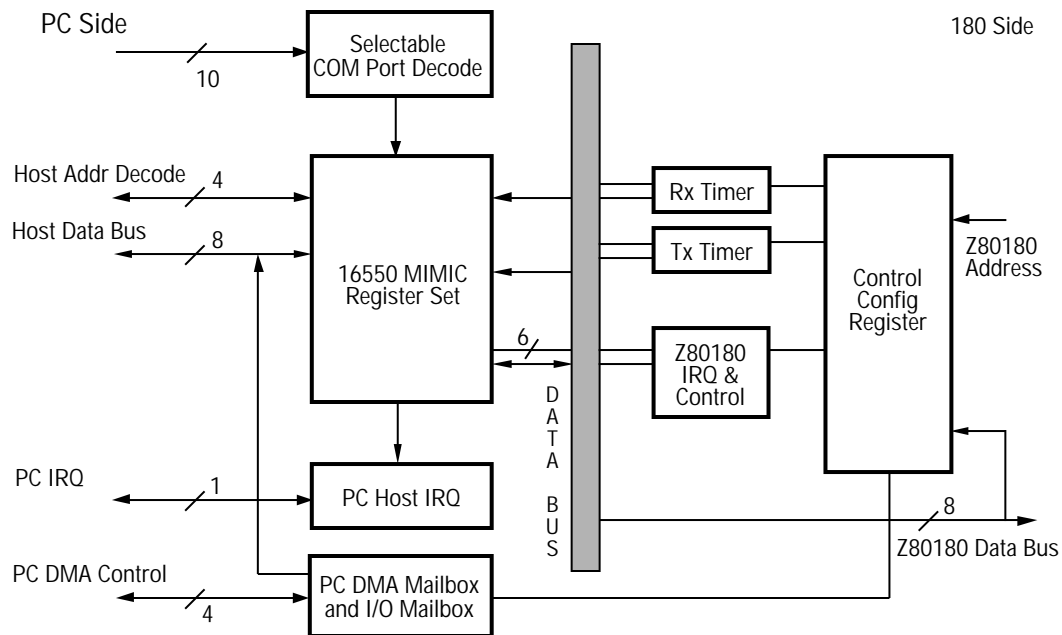
An additional two 8-bit timers are available for programming the FIFO time-out feature (4 Character Time Emulation) for both Receiver and Transmitter FIFO's.

The 16550 MIMIC interface supports the PC/XT/AT interrupt structure as well as an additional mode that allows for a wired AND interrupt structure.

All registers of the 16550 MIMIC interface are accessible in any page of I/O space since only the lowest 8 address lines are decoded.

COM Port Decode functionality is integrated into the Z189. This allows the MIMIC to be selected for a specific COM Port Address (PC COM Port Address 1-4). Previously for the Z80182, the COM Port Address selected for the MIMIC was implemented through external COM Port Decode circuitry. The COM Port Decode circuitry in the Z80189 simplifies this process by allowing the user to select the MIMIC Com Port addresses through software, as well as reducing the system board level costs by saving board space and external circuitry.

See Figure 76 for a block diagram of the 16550 MIMIC interface.



**Figure 76. 16550 MIMIC Block Description**



## 16550 MIMIC FIFO DESCRIPTION

The receiver FIFO consists of a 16-word FIFO capable of storing eight data bits and three error bits for each character stored (Figure 77). Parity error, Framing error and Break detect bits are stored, along with the data bits, by copying their value from three shadow bits, which are write only bits for the Z80180 MPU LSR address. The three shadow bits are cleared after they are copied to the FIFO memory. In FIFO mode, to write error bits into the receiver FIFO, the MPU must first write the Parity, Framing and Break detect status to the Line Status Register (shadow bits) and then write the character associated into the receiver buffer. The data and error bits will then move into the same address in the FIFO. The error bits become available to the PC side of the interface when that particular location becomes the next address to read (top of FIFO). At that time they may either be read by the PC by accessing them in the LSR, or they may cause an interrupt to the PC interface if so enabled. The error bits are set by the error status of the byte at the top of the FIFO but may only be cleared by reading the LSR. If successive reads of the receiver FIFO are performed without reading the LSR, the status bits will be set if any of the bytes read have the respective error bit set.

The PC interface may be interrupted when 1, 4, 8 or 14 bytes are available in the receiver FIFO by setting bits 6 and 7 in the FCR (FIFO Control Register, PC address 02h) to the appropriate value. If the FIFO is not empty, but below the above trigger value, a time-out interrupt is available if the receiver FIFO is not written by the MPU or read by the PC by an interval determined by the Character Time-out Timer. This is an additional Timer with MPU access only which is used to emulate the 16550 4 character time-out delay. The timer receives the BRG as its input clock.

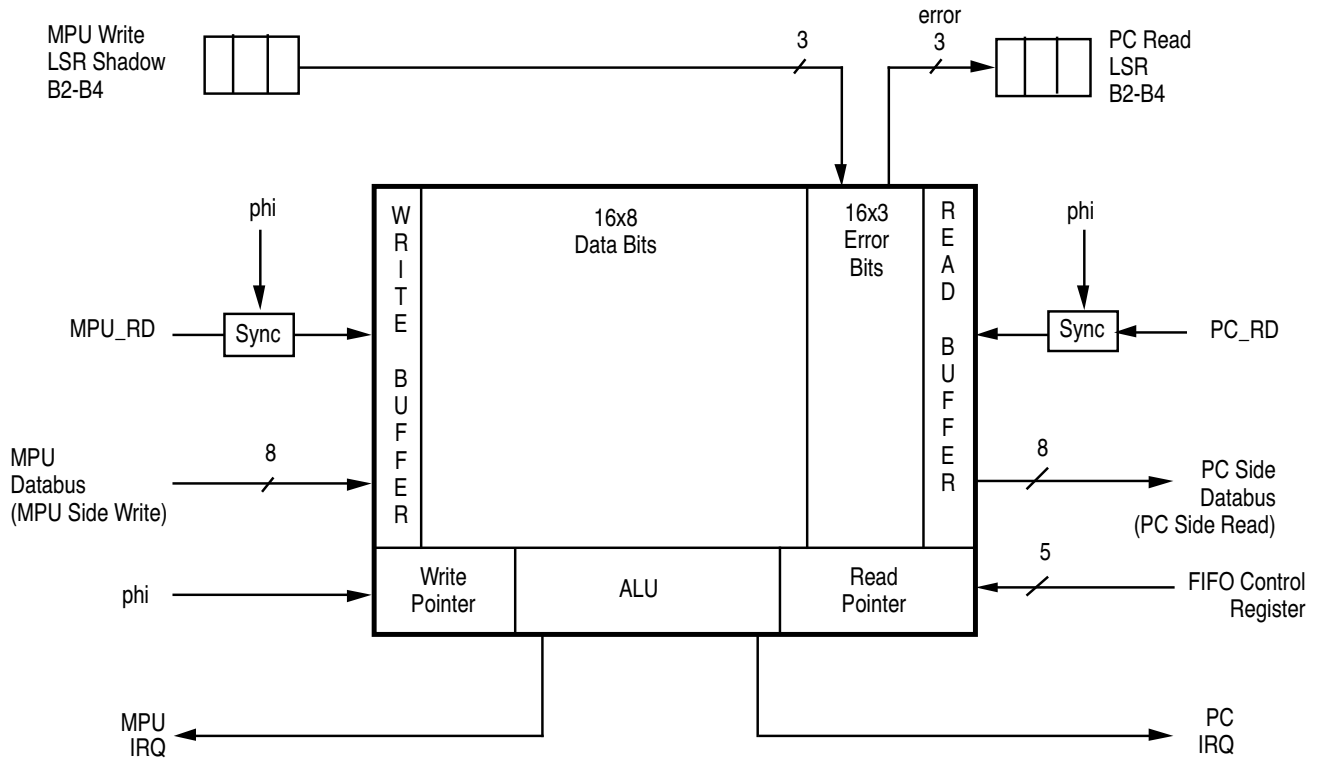
Software must determine the correct values to program into the Receiver Time-out register and the BRG to achieve the correct delay interval for time-out. These interrupts are cleared by the FIFO reaching the trigger point or by resetting the Time-out interval timer by FIFO MPU write or PC read access.

With FIFO mode enabled, the MPU is interrupted when the receiver FIFO is empty, corresponding to bit 5 being set in the IUS/IP register (MPU access only). This bit corresponds to a PC read of the receiver buffer in non-FIFO (16450) mode. The interrupt source is cleared when the FIFO becomes non-empty or the MPU reads the IUS/IP register.

The transmitter FIFO is a 16 byte FIFO with PC write and MPU read access (Figure 78). In FIFO mode, the PC will receive an interrupt when the transmitter becomes empty corresponding to bit 5 being set in the LSR. This bit and the interrupt source are cleared when the transmitter FIFO becomes non-empty or the IIR register is read by the PC.

On the MPU interface, the transmitted data available can be programmed to interrupt the MPU on 1, 4, 8 or 14 bytes of available data by seeing the appropriate value in the MPU FSCR control register (MPU write only XXECH) bits 6 and 7. A time-out feature exists, Transmitter Time-out Timer, which is an additional 8 bit timer with BRG as the input source. If the transmitter FIFO is non-empty and no PC write or MPU read of the FIFO has taken place within the timer interval, a time-out will occur causing a corresponding interrupt to the MPU.

**16550 MIMIC FIFO DESCRIPTION** (Continued)



MPU Side Interface

16550 MIMIC or PC Side Interface

**Figure 77. Receiver FIFO Block Diagram**

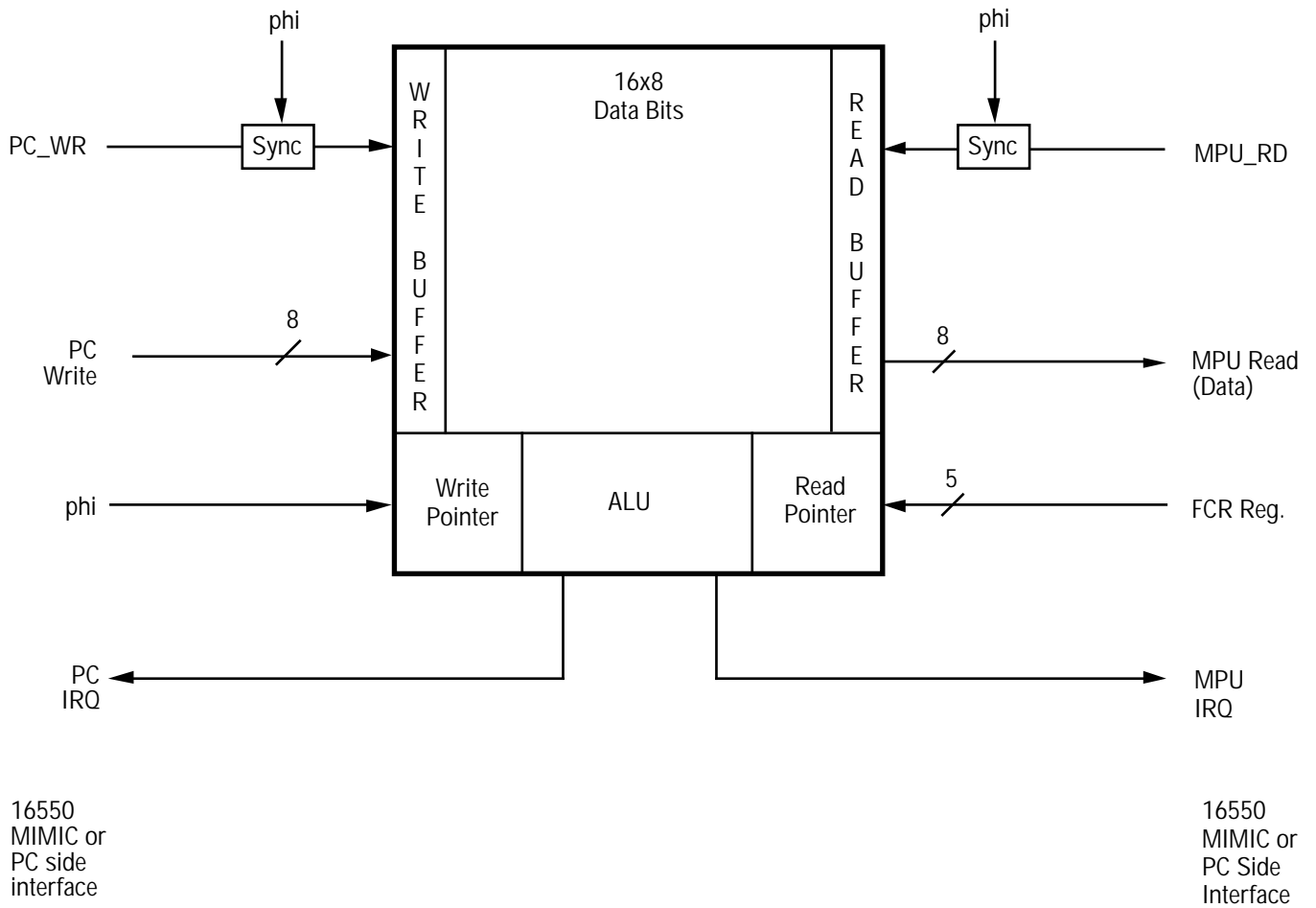


Figure 78. Transmitter FIFO Block Diagram

**16550 MIMIC FIFO DESCRIPTION** (Continued)**Table 15. 16550 Line Status Register**

Error	Description	How to Set	How to Clear
Error in RCVR FIFO	At least one data byte available in FIFO with one error	At least one error in receiver FIFO	When there are no more errors
*TEMT	Transmitter empty	MPU writes a 1	MPU writes a 0
† *THRE	Transmitter holding register is empty	When MPU has read or emptied the holding register	When holding register is not empty
Break Detect	Break occurs when received data input is held in logic-0 for longer than a full word transmission	MPU writes 1	There is a PC-side read of the LSR
Framing Error	Received character did not have a valid stop bit	MPU writes 1	There is a PC-side read of the LSR
Parity Error	Received character did not have correct even or odd parity	MPU writes 1	There is a PC-side read of the LSR
Overrun Error	Overlapping received characters, thereby destroying the previous character	MPU makes two writes to receiver buffer register	There is a PC-side read of the LSR
†Data Ready	Indicates complete incoming data has been received	MPU writes to RCVR FIFO or receiver buffer register	Empty Receiver or Receiver FIFO

**Notes:**

\* The TEMT and THRE bits take on different functions when TEMT/Double Buffer mode is enabled.

† These signals are delayed to HOST when using character emulation delay.

## Z80189 MIMIC SYNCHRONIZATION CONSIDERATIONS

Because of the asynchronous nature of the FIFO's on the MIMIC, some scheme of synchronization must be provided to prevent conflict from the dual port accesses of the MPU and the PC.

To solve this problem, I/O to the FIFO is buffered, the buffers allowing both PC and MPU to access the FIFO asynchronously. Read and Write requests are then synchronized by means of the MPU clock. Incoming signals are buffered in such a way that meta-stable input levels will be stabilized to valid 1 or 0 levels. Actual transfers to and from the buffers from and to the FIFO memory are timed by the MPU clock. ALU evaluation is performed on a different phase than the transfer to ensure stable pointer values.

Another potential problem is that of simultaneous access of the MPU and PC to any of the various 'mailbox' type registers. This is solved by dual buffering of the various read/write registers. During a read access by either MPU or PC to a mailbox register, the data in the buffered slave register is not permitted to change. Any write that might take place during this time will be stored in the input of the master register. The corresponding status/interrupt will be reset as appropriate based on the write having followed the read to the register. For example, the IUS/IP bit for the LCR write will not be cleared by the MPU read of the LCR if a simultaneous write to the LCR by the PC takes place. Instead the LSR data will change after the read access and IUS/IP bit 3 will remain at logic 1.

---

## DOUBLE BUFFERING FOR THE TRANSMITTER IN 16450 MODE

The Z80189 implements double buffering for the transmitter in 16450 mode and sets the TEMT bit in the LSR Register automatically.

If character delay emulation is being used (see Figure 79):

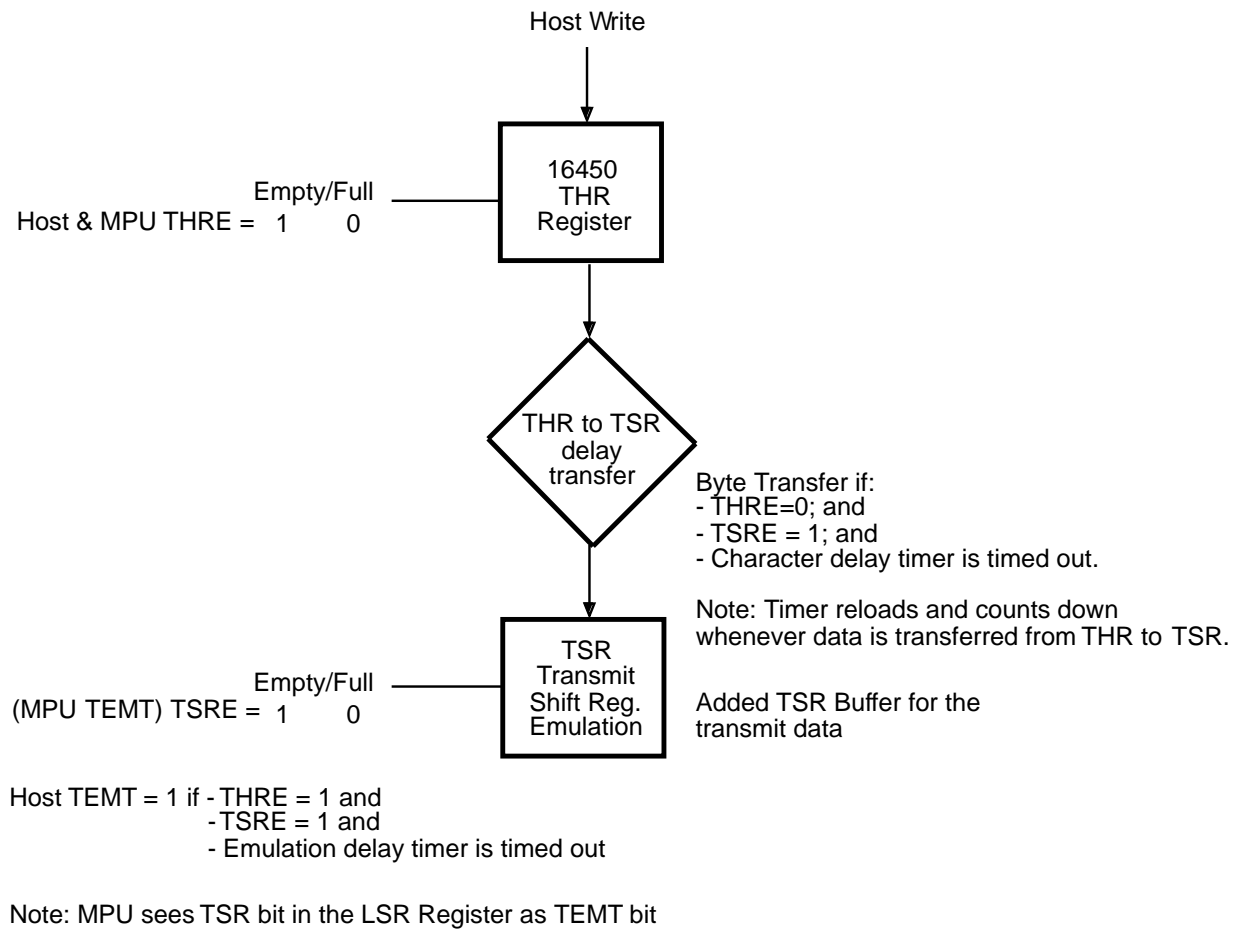
1. The PC THRE bit in the LSR Register is set when the THR Register is empty;
2. PC Host writes to the 16450 THR Register;
3. Whenever the Z80189 TSR buffer is empty and one character delay timer is in a time out state, the byte from the THR Register is transferred to the TSR buffer;
4. Restart character delay timer (timer reloads and counts down) with byte transfer from THR Register to the TSR buffer;
5. Whenever the TSR buffer is full, the TEMT bit in LSR Register for MPU is reset with no delay;
6. MPU reads TSR buffer;

7. TEMT bit in LSR Register for MPU is set with no delay whenever the TSR buffer is empty;
8. When the TSR buffer is read by MPU and THR Register is empty and one character delay timer reaches zero the TEMT bit in the LSR Register for Host is set from 0 to 1.

The PC THRE bit in the LSR Register is reset whenever the THR Register is full and set whenever THR Register is empty. MPU IREQ and DMA Request for the transmit data is triggered whenever the TSR buffer is full and cleared whenever TSR buffer is empty.

If character delay emulation is not used the TEMT bit in the LSR Register is set whenever both the THR Register and the TSR buffer are both empty. The Host TEMT bit is clear if there is data in either the TSR buffer or THR Register.

**Disable this feature when 16550 FIFO mode is enabled.**

**DOUBLE BUFFERING FOR THE TRANSMITTER IN 16450 MODE (Continued)****Figure 79. TEMT Emulation Logic Implementation****Z80189 MIMIC DMA Consideration**

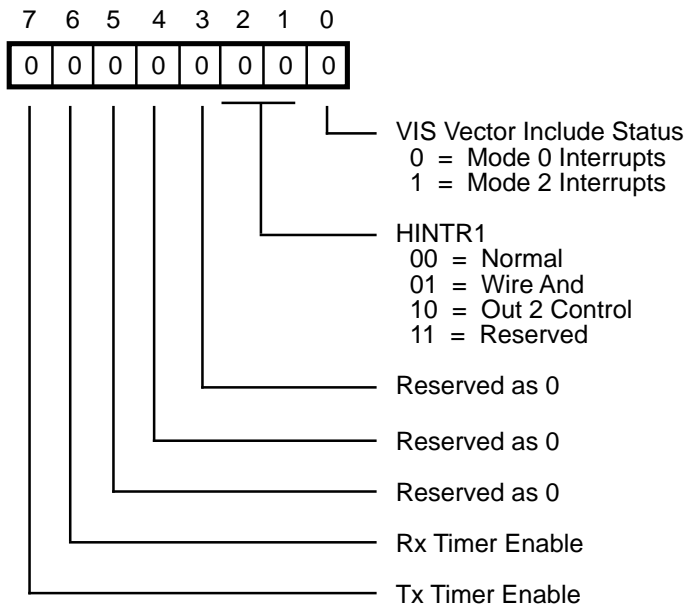
Since the /HRXRDY and /HTXRDY is removed in the Z189, the MIMIC DMA feature found on the Z182 is not available on the Z189.

**Z80189 MIMIC Design Hint**

The MIMIC output drive capability has been increased to 16 mA on the Z189. This may eliminate the need for buffering to the PC Bus.

## 16550 MIMIC INTERFACE REGISTERS

The 16550 MIMIC interface is controlled by the MMC register. Setting it allows for different modes of operation such as using the eight bit counters and which IRQ structure is used with the PC/XT/AT.



**Figure 80. MIMIC Master Control Register**  
(Z180 MPU Address XXFFH)

### Bit 7 Transmit Timer Delay Counter Enable (Read/Write)

If bit 7 is set to a one, it enables the transmit delay timer. When the Z180 reads the Transmit Register, the transmit delay timer is automatically loaded with the Transmit Time Constant Register and the timer is enabled to countdown to zero. This timer delays setting the Transmitter Holding Register Empty (THRE) bit until the timer times out. If this bit is zero, then THRE is set immediately on a Z180 read of the Transmit Register.

### Bit 6 Receive Timer Delay Counter Enable (Read/Write)

If bit 6 is set to a one, it enables the receive delay timer. When the Z180 writes to the Receive Buffer, it loads the receive delay timer from the Receive Time Constant Register and enables the timer to countdown to zero. This timer delays setting the Data Ready (DR) bit in the LSR until the timer times out. If this bit is a zero, then DR is set immediately on a Z180 write to the Receive Buffer.

Both counters are single pass and stop on a count of zero. Their purpose is to delay data transfer just as if the 16550 UART had to shift the data in and out. This is provided to alleviate any software problems a high speed continuous data transfer might cause to existing software. If this is not a problem, then data can be read and written as fast as the two machines can access the devices. In FIFO mode of operation, the timers are used to delay the status to the PC interface by the time that would be required to actually shift the characters out or in if an actual UART were present.

Bit 5 Reserved as 0

Bit 4 Reserved as 0

**Bit 3 Reserved as 0**

Bit 2,1 Interrupt Select (Read/Write)

Bits 2, 1

00 If both bits 2 and 1 are set to zero, then the active HINTR1 pin is set to normal 16550 MIMIC mode.

01 If bit 2 is zero and bit 1 is one, then the 16550 MIMIC will enable a wire AND condition on the active HINTR1 pin to the PC/XT/AT.

10 If bit 2 is one and bit 1 is zero, then the active HINTR1 pin will be driven only if out 2 of the Modem Control register is a one. If out 2 is a zero, then the active HINTR1 pin will be tri-stated.

11 Both bits should never be set to one. This is a reserved condition and should not be used.

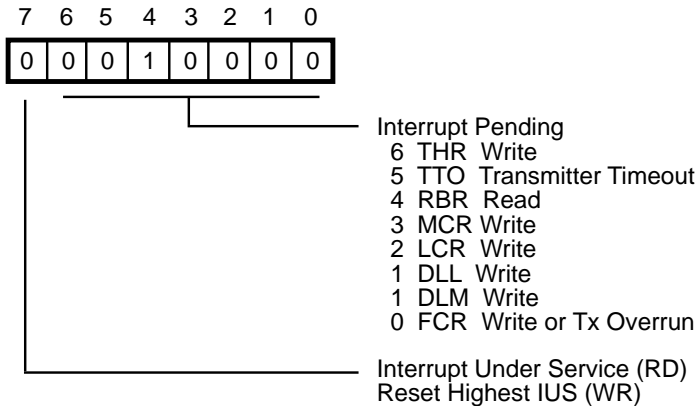
### Bit 0 Vector Include Status (Read/Write)

This bit is used to select the interrupt response mode of the Z180. A 0 in this bit enables mode 0 interrupts; a 1 enables mode 2 response.

## 16550 MIMIC INTERRUPT REGISTERS

### IUS/IP Register

The IUS/IP Register is used by the Z180 MPU to determine what has caused the Interrupt. This register will have the appropriate bit set when an interrupt occurs.



**Figure 81. IUS/IP Register**  
(Z180 MPU Address XXFEH)

### Bit 7 Interrupt Under Service (Read/Write)

This bit represents a logical OR of each individual IUS bit for the internal MIMIC interrupt daisy chain. An IUS bit is set when an interrupt is registered (IP set) and enabled (IE set), the incoming IEI daisy chain is active (chain enabled) and an interrupt acknowledge cycle is entered. By writing a '1' to this bit the highest priority IUS bit that is set will be reset. Writing a '0' to this bit has no effect.

### Bit 6 Transmitter Holding Register Written (Read Only)

This bit is set when the PC/XT/AT writes to the Transmitter Holding Register. It is reset when the Z180 MPU reads the Transmitter Holding Register. In FIFO mode, this bit is set when the trigger level is reached (4, 8, 14 bytes available).

If THR timer is enabled, this interrupt is delayed by the number of character times programmed as the trigger level.

**Note:** The THR bit is set (interrupts) when the transmitter FIFO reaches the data available trigger level set in the MPU FSCR control register. The bit and interrupt source is cleared when the number of data bytes falls below the set trigger level.

### Bit 5 Transmitter Time-out with Data in FIFO (Read Only)

This bit is set when the transmitter FIFO has been idle (no read or write and timer decrements to zero) with data bytes below the trigger level. It is cleared when the FIFO is read or written.

### Bit 4 Receive Buffer Read (Read Only)

This bit is set when the PC/XT/AT reads the Receive Buffer Register. It is reset when the Z180 MPU writes to the Receive Buffer Register. In FIFO mode, this bit is set upon the PC reading all the data in the receiver FIFO. Note: RBR is set and interrupts when the receiver FIFO has been emptied by the PC. This bit and interrupt are cleared when one or more bytes are written into the receiver FIFO by the MPU.

### Bit 3 Modem Control Register Write (Read Only)

This bit is set when the PC/XT/AT writes to the Modem Control Register. It is reset when the Z180 MPU reads the Modem Control Register.

### Bit 2 Line Control Register Write (Read Only)

This bit is set when the PC/XT/AT writes to the Line Control Register. It is reset when the Z180 MPU reads the Line Control Register.

### Bit 1 Divisor Latch LS/MS Write (Read Only)

This bit is set when the PC/XT/AT writes to the Divisor Latch Least Significant or Most Significant bytes. It is reset when the PC reads the LS/MS register(s). To determine which byte(s) have been written, the Z180 must read either LS or MS locations and then repoll this bit. If only one location is interrupting, the interrupt will be cleared when that location is read by the Z180.

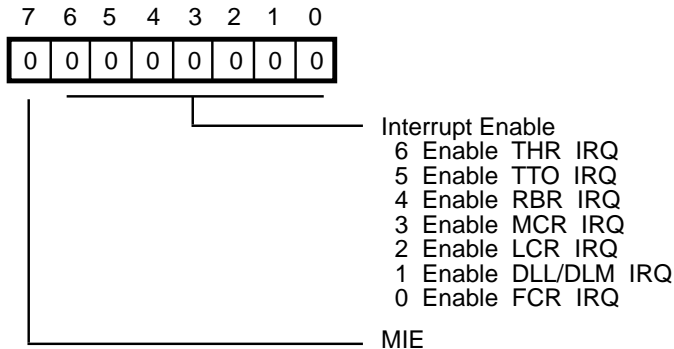
### Bit 0 FIFO Control Register Write (Read Only)

This bit is set when the PC/XT/AT writes to the FCR. It is reset when the Z180 MPU reads this register.



## Interrupt Enable Register

The IE Register allows each of the 16550/8250 interrupts to the Z180 MPU to be masked off individually or globally.



**Figure 82. IE Register**  
(Z180 MPU Address XXFDH)

### Bit 7 Master Interrupt Enable (Read/Write)

If bit 7 is a zero, all interrupts from the 16550 MIMIC are masked off. If this bit is a one, then Interrupts are enabled individually by setting the appropriate bit.

### Bit 6 Enable THR Interrupt (Read/Write)

If this bit is a one, it enables the Transmitter Holding Register Interrupt.

### Bit 5 Enable TTO Interrupt (Read/Write)

If this bit is a one, it enables the Transmitter Time-out Interrupt. This will interrupt the CPU when characters remain in the FIFO below the trigger level and the FIFO is not read or written for the length of time in the transmitter time-out register.

### Bit 4 Enable RBR Interrupt (Read/Write)

If this bit is a one, it enables the Receiver Buffer Register Interrupt.

### Bit 3 Enable MCR Interrupt (Read/Write)

If this bit is 1, it enables the Modem Control Register Interrupt

### Bit 2 Enable LCR Interrupt (Read/Write)

If this bit is a one, it enables the Line Control Register interrupt.

### Bit 1 Enable DLL/DLM Interrupt (Read/Write)

If this bit is 1, it enables the Divisor Latch least and Most Significant Byte Interrupts

### Bit 0 Enable FCR Interrupt (Read/Write)

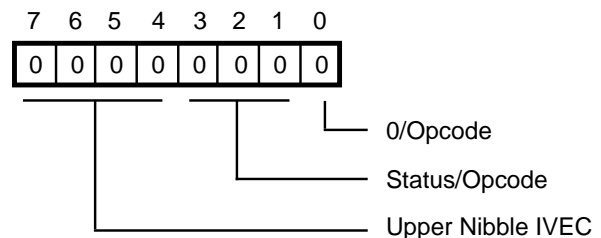
If this bit is a one, then interrupts are enabled for a PC write to the FIFO control register (FCR).

Priority of interrupts are in this order:

- Highest 6. THR IRQ  
 5. TTO IRQ  
 4. RBR IRQ  
 3. MCR IRQ  
 2. LCR IRQ  
 1. DLL IRQ  
 1. DLM IRQ  
 Lowest 0. FCR IRQ

## Interrupt Vector Register

The Interrupt Vector Register contains either the opcode or the Lower Address for a Z180 interrupt, depending upon the VIS bit in the MMC Register. If the VIS bit is a zero, then Z180 Mode 0 interrupt is selected, if the VIS bit is a one then Z180 Mode 2 is selected.



**Figure 83. IVEC Register**  
(Z180 MPU Address XXFCH)

### Bit 7-4 Upper Nibble IVEC (Read/Write)

These four bits are to generate either an opcode or the upper four bits of the eight bit address to support the Z180 interrupt modes. These bits are read/write and always read back what was last written to them.

### Bits 3-1 Status/Opcode (Read/Write)

These three bits are the Interrupt Status bits when VIS in the MMC register is a one. If the VIS bit is a zero, then these bits contain what was last written to them.

Bits	321
000	NO IRQ
001	FCR IRQ
010	DLL/DLM IRQ
011	LCR IRQ
100	MCR IRQ
101	RBR IRQ
110	TTO IRQ
111	THR IRQ

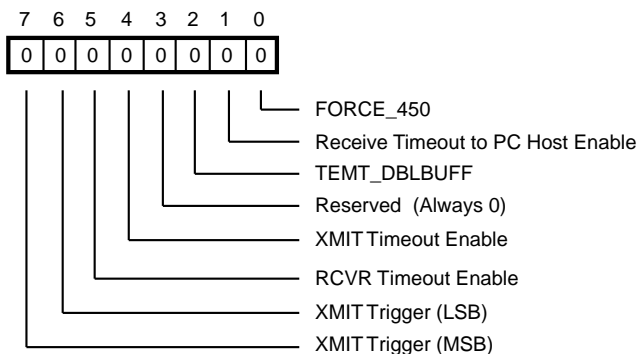
## Interrupt Vector Register (Continued)

### Bit 0 Opcode (Read/Write)

This bit is always a zero when the VIS bit is a one. If the VIS bit is a zero, then this bit reads back what was last written to it.

This register serves both interrupt modes. When the VIS bit is a zero, the last value written to the register can be read back. If the VIS bit is a one and an interrupt is pending, the value read will be the last value written to the upper nibble plus the status for the interrupt that is pending. If no interrupt is pending, then the last value written to the upper nibble plus the lower nibble will be read from the register.

If the vector includes the status, then the lower four bits of the vector will change asynchronously depending on the interrupting source. Since this vector changes asynchronously, then the interrupt service routine to read the IVEC register might read the source of the most recent IRQ/INTACK cycle if that IRQ does not have its IUS set.



**Figure 84. FIFO Status and Control Register**  
(Z180 MPU Read/Write Add XXECH)

### Bit 7 and Bit 6 XMIT Trigger MSB, LSB

This field determines the number of bytes available to read in the transmitter FIFO before an interrupt will occur to the MPU:

b7	b6	Level (#bytes)
0	0	1
0	1	4
1	0	8
1	1	14

### Bit 5 Receiver Time-out Enable

This bit enables the Z80189 Receiver Time-out Timer that is used to emulate the four character time-out delay that is specified by the 16550. An RTO interrupt will occur under the following conditions: no read or write to the RCVR FIFO, data bytes are available, but below the PC trigger level, or the receiver timeout timer reaches zero.

### Bit 4 Transmitter Time-out Enable

This bit enables the Z80189 timer that is used to interrupt the Z180 MPU if characters are available, but are below the trigger level. The timer is enabled to count down if this bit is one and the number of bytes is below the set transmitter trigger level. The timer will time-out and interrupt the MPU if no read or write to the XMIT FIFO takes place within the timer interval.

### Bit 3 Reserved for Future Use

Always write and read as '0' by users. Writing '1' enables a test mode for emulation timers.

### Bit 2 Double Buffer Mode (Write/Read)

(Reset value=0) Setting this bit will enable (only in 16450 mode) the TEMT hardware emulation and transmitter double buffering.

### Double Buffer

This enables a transmit shift register (TSR) to act as a slave register, while the PC writes to a transmit holding register. The Z180 reads from the transmit shift register. This allows the PC to write two consecutive bytes into the MIMIC.

### TEMT Emulation

If character delay emulation is being used, the TEMT is set as follows:

The TSR is emptied and the associated delay logic has set the (delayed) THRE bit in the LSR.

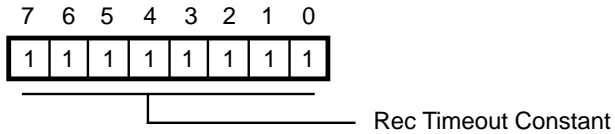
At this time a one character delay timer begins. After this timer reaches zero count, the TEMT bit will be set if the THR and TSR output buffer are empty. TEMT is clear whenever there is data in either THR or the TSR output buffer.

### Bit 1 Receive Timeout to the PC Host (Write/Read)

(Reset Value=0) setting this bit will enable the RTO timeout to emulate the 16550 device. If enabled, the RTO timer will not start timeout until all delayed characters have been clocked through the receiver character delay emulation logic. This will prevent an RTO from occurring before a (delayed) receiver trigger level interrupt. When cleared, the RTO will begin timeout from the last read or write to the receiver FIFO.

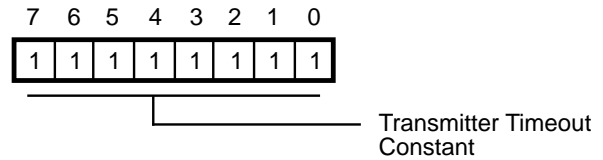
**Bit 0 Force 16450 mode (Write/Read)**

(Reset value=0) This bit=1 will force the MIMIC into 16450 mode. Bit 0 in the FCR reg is forced to zero as well as the MIMIC internal FIFO enable. Bits 7 and 6 in the IIR will remain at their last value when this bit is set.



**Figure 85. Receiver Time-out Timer Constant**  
(Z180 MPU Add XXEAH)

This register contains an 8-bit constant for emulation of the 16550 4 character time-out feature. Software must determine the value to load into this register based on the bit rate and word length specified by the MIMIC interface with the PC. This timer receives its input from the BRG Clock. This timer is enabled to down count when the enable bit in the FSCR register is set and the trigger level has not been reached on the RCVR FIFO. The counter will reload each time there is a read or write to the RCVR FIFO.

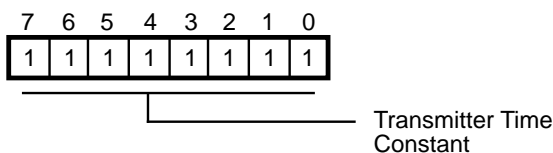


**Figure 86. Transmitter Time-out Timer Constant**  
(Z180 MPU Add XXEBH)

This register contains an 8-bit constant for determining the interval for the transmitter time-out timer. If allowed to decrement to zero, this timer will interrupt the MPU by setting the THR bit in the IUS/IP register. This timer receives its input from the BRG Clock. The timer is enabled to down count when the enable bit in the FSCR register is set and the trigger level has not been reached on the XMIT FIFO. The counter will reload each time there is a read or write to the XMIT FIFO.

## TRANSMIT AND RECEIVE TIMERS

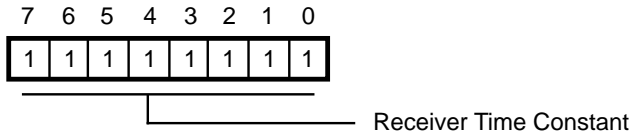
Because of the speed at which data transfers can take place between the Z180 MPU and the PC/XT/AT, two timers have been added to alleviate any software problems that a high-speed data transfer might cause. These timers allow the programmer to slow down the data transfer just as if the 16550 MIMIC interface had to shift the data in and out. The Timers receive their input from the BRG Clock. This allows the programmer access to a 24-bit timer to slow down the data transfer.



**Figure 87. Transmitter Time Constant Register**  
(Z180 MPU Address XXFAH)

When a write from the PC/XT/AT is made to the Transmitter Holding register, an interrupt to the Z180 MPU is generated. The Z180 MPU then reads the data in the Transmitter

Holding Register. Upon this read if the Transmitter timer is enabled, the time constant from the Transmitter Time Constant Register is loaded into the Transmitter timer and enables the count. After the timer reaches a count of zero, the Transmitter Holding Register Empty bit is set. However, the above is only true when the PC/XT/AT is reading the Transmitter Holding Register Empty bit. To allow the Z180 MPU to know that it has already read the byte of data, a mirrored Transmitter Holding Register Empty bit is set immediately following a read from the Transmitter Holding Register. This mirrored bit is always read back to the Z180 MPU when it reads the Line Status Register. If the transmitter timer is not enabled when the Z180 MPU reads the transmitter holding register, then both Transmitter Holding Register Empty bits are set immediately. In FIFO mode of operation, the effect is similar in that the status to PC is always delayed such that a PC interrupt for empty FIFO will not occur before the time required for each character read from the FIFO by the Z180 has elapsed. The effect is that the PC will not see data requests from an empty FIFO any faster than would occur with a true UART when the delay feature is enabled. This timer is also used to delay data transfer from THR Register to Z80189 TSR buffer in double buffer mode.

**TRANSMIT AND RECEIVE TIMERS** (Continued)

**Figure 88. Receiver Time Constant Register**  
(Z180 MPU Address XXFB)

When the Z180 MPU writes to the Receive Buffer register and the Receive Timer is enabled, the Receive Timer is loaded with the Receiver Time Constant, the timer is

enabled and counts down to zero. When the timer reaches zero, the Data Ready bit in the Line Status Register is set. As with the Transmit Timer the Data Ready bit is also mirrored. Immediately upon a write to the Receive Buffer, the mirrored bit is set to let the Z180 MPU know that the byte has already been written. If the timer is not enabled, then both Data Ready bits are set immediately upon a write to the Receive Buffer. The FIFO mode of operation is similar in that the status to the PC is always delayed by the time required for each character written to the FIFO by the Z180. The effect is that the PC will not see a FIFO trigger level or DMA request faster than would occur with a true UART when the delay feature is enabled.

**16550 MIMIC REGISTERS**

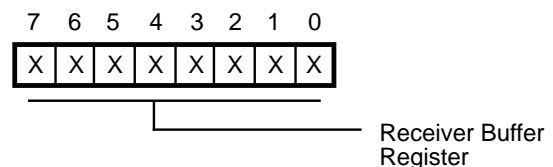
The Z80189 contains a register set for interfacing with the PC/XT/AT. The registers are:

- Receiver Buffer Register
- Transmit Holding Register
- Interrupt Enable Register
- Interrupt Identification Register
- Line Control Register
- Modem Control Register
- Line Status Register
- Modem Status Register
- Scratch Register
- Divisor Latch Least Significant/Most Significant Bytes
- FIFO Control Register
- MIMIC Modification Register

These registers are used to emulate the 16550 UART. The PC/XT/AT can access these registers just as if it was interfacing with the 16550 UART. This allows the Z80189 to be software compatible with existing Z80189 modem software.

**Receive Buffer Register**

When the Z180 has assembled a byte of data to pass to the PC/XT/AT, it places it in the Receiver Buffer Register. If the Received Data Available interrupt is enabled, then an interrupt is generated for the PC/XT/AT and the Data Ready bit is set (if the Receiver Timer is enabled, the interrupt and setting of the Data Ready bit is delayed until after the timer times out). Also, the shadow bits of the Line Status Register are transferred to their respective bits when the Z180 MPU writes to the Receiver Buffer Register (see Line Status Register Bits 1, 2, 3 and 4). This allows a simultaneous setting of error bits when the data is written to the Receiver Buffer Register. In FIFO mode, this address is used to read (PC) and write (Z180) the Receiver FIFO.

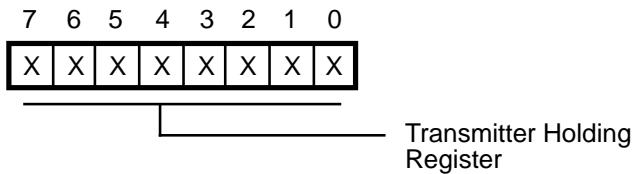


PC Read Only,  
(Address 00h, DLAB=0, R/W=Read)  
(Z180 MPU Write Only, Address xxF0H)

**Figure 89. Receiver Buffer Register**

## Transmit Holding Register

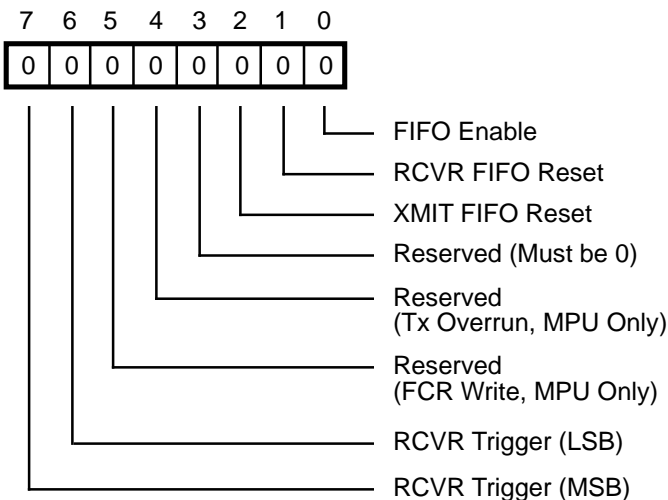
When the PC/XT/AT writes to the Transmitter Holding Register, the Z80189 responds by setting the appropriate bit in the IP register and by generating an interrupt to the Z180 MPU if it is enabled. When the Z180 MPU reads this register, the Transmitter Holding register empty flag is set (if the transmitter timer is enabled, this bit is set after the timer times out). In FIFO mode of operation, this address is used to read (Z180) and write (PC) the Transmitter FIFO.



(PC Write Only, Address 00H, DLAB=0, R/W=Write)  
 (Z180 MPU Read Only, Address XXF0H)

**Figure 90. Transmitter Holding Register**

## FIFO Control Register



PC/XT/AT Write Only, PC Address 02h  
 Z180 MPU Read Only, MPU Address XXE9H

**Figure 91. FIFO Control Register**

### Bit 6 and Bit 7 RCVR trigger LSB and MSB bits

This 2-bit field determines the number of required bytes in the receiver FIFO before an interrupt to the PC occurs.

b7	b6	Trigger Level, Number of Bytes
0	0	01
0	1	04
1	0	08
1	1	14

### Bit 4 and Bit 5 Reserved

Note: From the MPU side, bit 4 and bit 5 flag two sources of interrupts. Bit 5 is a FIFO interrupt, indicating that the FCR had changed; bit 4 is a Tx overrun interrupt, indicating transmit overrun. A read of the FCR from the MPU side will clear a previously set bit 4 or bit 5.

### Bit 3 Reserved

Reserved for future use.

### Bit 2 XMIT FIFO Reset

Setting this bit to a 1 will cause the transmitter FIFO pointer logic to be reset; any data in the FIFO will be lost. This bit is self clearing; however, a shadow bit exists that is cleared only when read by the Z180 MPU, allowing the MPU to monitor a FIFO reset by the PC.

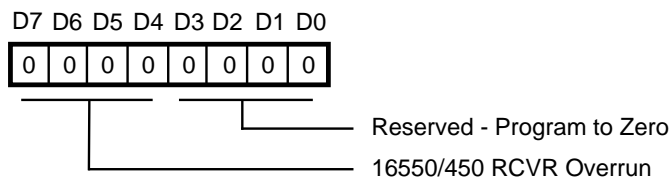
### Bit 1 RCVR FIFO Reset

Setting this bit to a 1 will cause the receiver FIFO pointer logic to be reset; any data in the FIFO will be lost. This bit is self clearing; however, a shadow bit exists that is cleared only when read by the Z180 MPU, allowing the MPU to monitor a FIFO reset by the PC.

### Bit 0 FIFO Enable

The PC writes this bit to logic 1 to put the 16550 MIMIC into FIFO mode. This bit must be a 1 when writing to the other bits in this register or they will not be programmed. When this bit changes state, any data in the FIFO's or transmitter holding and receiver buffer registers is lost and any pending interrupts are cleared.

## MIMIC Modification Register



**Figure 92. MIMIC Modification Register**  
(Z189 MPU Write only, Address XXE9H)

**Bit 7-2 Reserved.** Program to zero.

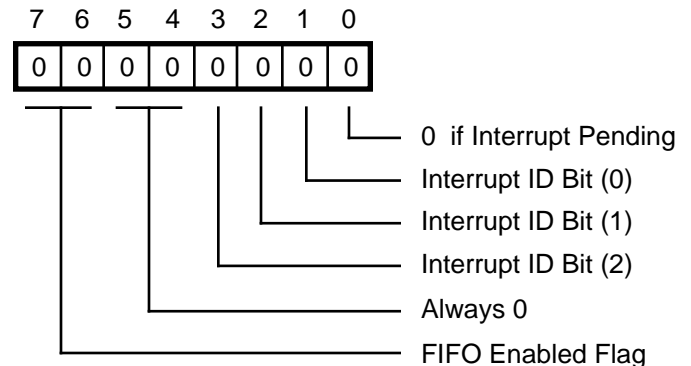
#### Bit 1 RCVR Overrun Modification

The actual 16450/16550 device allows the last position in FIFO to be overwritten by MPU during receiver overrun condition. When this bit is enabled (programmed to 1) the last position in FIFO can be overwritten by Z180 during receiver overrun. This feature is disabled by default. When this modification is not enabled, the MIMIC will ignore any write to RBR during an overrun condition.

#### Bit 0 Reserved

Program to zero.

## Interrupt Identification Register



PC/XT/AT Read Only, PC Address 02H  
Z180 MPU No Access

**Figure 93. Interrupt Identification Register**

#### Bit 7 and Bit 6 FIFO's enabled

These bits will read 1 if FIFO mode is enabled on the MIMIC.

#### Bit 5 and Bit 4 Always read 0

Reserved bits.

#### Bits 3-1 Interrupt ID bits

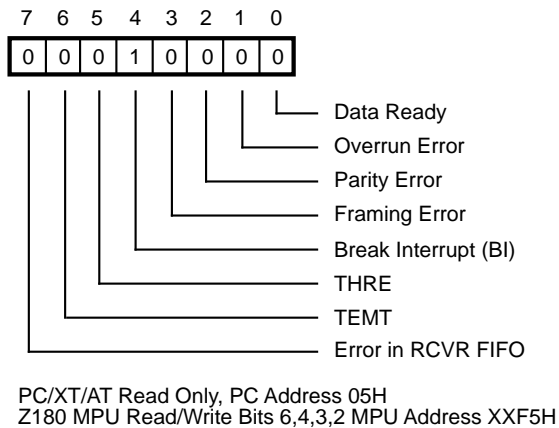
This 3 bit field is used to determine the highest priority interrupt pending. See Table 16 for the 3-bit field descriptions.

**Table 16. Interrupt Identification Field**

b3	b2	b1	Priority	Interrupt Source	Inter. Reset Control
0	1	1	Highest	Overrun, Parity, Framing error or Break detect bits set by MPU.	Read Line Stat. Reg.
0	1	0	2nd	Received Data trigger level	RCVR FIFO drops below trigger level.
1	1	0	2nd	Receiver Time-out with data in RCVR FIFO.	Read RCVR FIFO.
0	0	1	3rd	Transmitter Holding Register Empty.	Writing to the IIR or transmitter Holding Register.
0	0	0	4th	MODEM status: CTS,DSR,RI or DCD.	Reading the MODEM

**Bit 0 Interrupt Pending**

This bit is logic 0 and interrupt is pending. When the PC accesses the IIR, the contents of the register and all pending interrupts are frozen. Any new interrupts will be recorded, but not acknowledged during the IIR access.

**Line Status Register****Figure 94. Line Status Register****Bit 7 Error in RCVR FIFO**

In 16450 mode, this bit will read logic 0. In 16550 mode, this bit is set if at least one data byte is available in the FIFO with one of its associated error bits set. This bit will clear when there are no more errors (or break detects) in the FIFO.

**Bit 6 Transmitter Empty**

This bit must be set or reset by the MPU by a write to this register bit. If Double Buffer Mode is enabled this bit is set automatically by hardware whenever both THR buffer and TSR is empty.

**Bit 5 Transmitter Holding Register Empty, THRE**

This bit is set to one when either the THR has been read (emptied) by the MPU (16450 mode) or the XMIT FIFO is empty (16550 mode). This bit is set to 0 when either the THR or XMIT FIFO become non-empty. A shadow bit exists so that the register bit setting to 1 is delayed by the Transmitter Timer if enabled. The MPU when reading this bit will not see the delay. Both shadow and register bits are cleared when the PC writes to the THR of XMIT FIFO.

Note: The THRE bit is forced to 0 in the PC side to prevent THR overruns when /HALT is asserted (Powerdown Mode) and bit 3 (/INTO assertion on MIMIC access feature) is set. When the MIMIC comes out of powerdown (/HALT deasserted), the THRE bit resumes normal functionality.

**Bit 2, 3, 4 Parity Error, Framing Error, Break Detect**

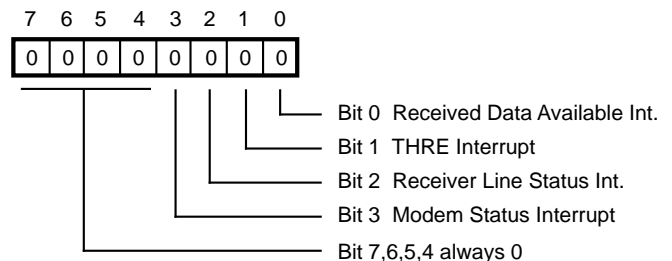
These bits are written, indirectly, by the MPU as follows: The bits are first written to shadow bit locations when the MPU write accesses the LSR. When the next character is written to the Receiver Buffer or RCVR FIFO, the data in the shadow bits is then copied to the LSR (16450 mode) or FIFO RAM (16550 mode). In FIFO mode, the bits become available to the PC when the data byte associated with the bits is next to be read (top of FIFO). In FIFO mode, with successive reads of the receiver, the status bits will be set if an error occurs on any byte. Once the MPU writes to the Receiver Buffer or RCVR FIFO, the shadow bits are auto cleared. The register bits are cleared upon the PC reading the LSR. In FIFO mode, these bits will be set if any byte has the respective error bit set while the PC reads multiple characters from the FIFO.

**Bit 1 Overrun Error**

This bit is set if the Z180 MPU makes two writes to the Receiver Buffer before the PC reads the data in the Buffer (16450 mode) or with a full RCVR FIFO (16550) mode. No data will be transferred to the RCVR FIFO under these circumstances. This bit is reset when the PC reads the Line Status Register.

**Bit 0 Data Ready**

This bit is set to 1 when received data is available, either in the RCVR FIFO (16550 mode) or Receiver Buffer Register (16450 mode). This bit is set immediately upon the MPU writing data to the Receiver Buffer or FIFO if the Receiver Timer is not enabled but is delayed by the timer interval if the Receiver Timer is enabled. For MPU read access, a shadow bit exists, so that the MPU does not see the delay the PC does. Both bits are cleared to logic zero immediately upon reading all the data in either the Receiver Buffer or FIFO.

**Interrupt Enable Register**

PC/XT/AT Read/Write, PC Address 01H  
Z180 MPU Read Only, Z180 MPU Address XXF1H

**Figure 95. Interrupt Enable Register**

**Interrupt Enable Register (Continued)****Bits 7,6,5,4 Reserved**

These bits will always read 0 (PC and MPU)

**Bit 3 Modem Status IRQ**

If bits 0,1,2 or 3 of the Modem Status Register are set and this enable bit is a logic 1, then an interrupt to the PC is generated.

**Bit 2 Receiver Line Status IRQ**

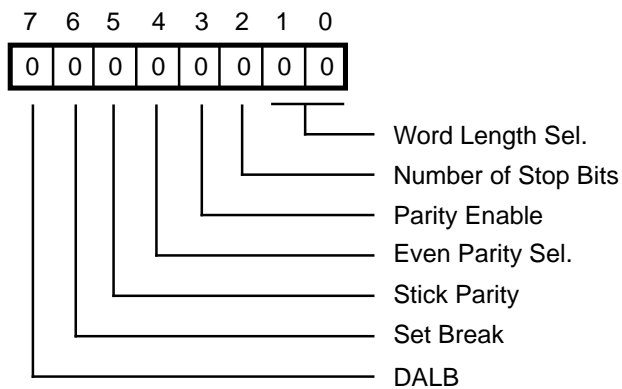
If bits 1,2,3 or 4 of the LSR are set and this enable bit is a logic 1, then an interrupt to the PC is generated.

**Bit 1 Transmitter Holding Register Empty IRQ**

If bit 5 of the LSR is set and this enable bit is a logic 1, then an interrupt to the PC is generated.

**Bit 0 Received Data Available IRQ**

If bit 0 of the LSR is set or a Receiver Timeout occurs and this enable bit is a logic 1, then an interrupt to the PC is generated.

**Line Control Register**

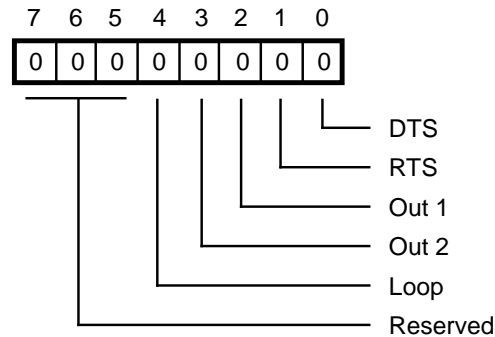
PC/XT/AT Read/Write, PC/XT/AT Address 3H  
Z180 MPU Read Only, Z180 MU Address XXF3H

**Figure 96. Line Control Register****Bit 7 Divisor Latch Access Bit (DALB)**

This bit allows access to the divisor latch by the PC/XT/AT. If this bit is set to a one, access to the Transmitter, Receiver and Interrupt Enable Registers is disabled, and when an access is made to address 0, the Divisor Latch Least Significant byte is accessed and if an access is made to address 1, the Divisor Latch Most Significant byte is accessed.

**Bit 6-Bit 0**

These bits do not affect the Z80189 directly; however, they can be read by the Z180 MPU and the 16550 MIMIC modes can be emulated by the Z180 MPU.

**Modem Control Register**

PC/XT/AT Read/Write, PC/XT/AT Address 4H  
Z180 MPU Read Only, Z180 MU Address XXF4H

**Figure 97. Modem Control Register****Bit 7-5 Reserved**

Reserved for future use, always 0.

**Bit 4 Loop**

When this bit is set to a one then:

RI = Out 1  
DCD = Out 2  
DSR = DTR  
CTS = RTS

Emulation of the loop back feature of the 16550 UART must be done by the Z180 MPU except for the above conditions.

**Bit 3 Out 2**

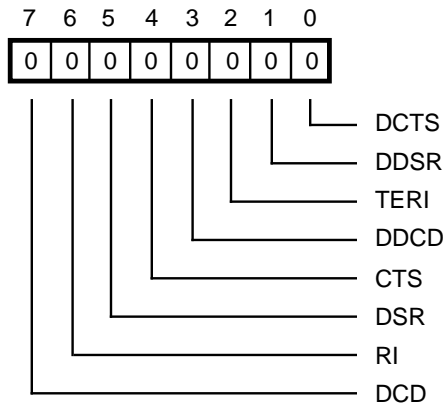
This bit controls the state on the active HINTR pin if bits 2 and 1 of the MIMIC Master Control Register are a 10. Or else it can be read by the Z180 MPU.

**Bit 2-Bit 0**

These bits have no direct control of the 16550 MIMIC interface and the Z180 MPU must emulate the function if it is to be implemented.



## Modem Status Register



PC/XT/AT Read Only, PC/XT/AT Address 6H  
Z180 MPU Read/Write Bits 7-4, Z180 MPU Address XXF6H

**Figure 98. Modem Status Register**

### Bit 7 Data Carrier Detect

This bit must be written by the Z180 MPU.

### Bit 6 Ring Indicator

This bit must be written by the Z180 MPU.

### Bit 5 Data Set Ready

This bit must be written by the Z180 MPU.

### Bit 4 Clear to Send

This bit must be written by the Z180 MPU.

### Bit 3 Delta Data Carrier Detect

This bit is set to a one whenever the Data Carrier Detect bit changes state. This bit is reset when the PC/XT/AT reads the Modem Status Register.

### Bit 2 Trailing Edge Ring Indicator

This bit is set to a one on the falling edge of the Ring Indicator bit. This bit is reset when the PC/XT/AT reads the Modem Status Register.

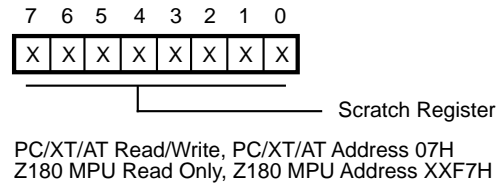
### Bit 1 Delta Data Set Ready

This bit is set to a one whenever the Data Set Ready bit changes state. This bit is reset when the PC/XT/AT reads the Modem Status Register.

### Bit 0 Delta Clear To Send

This bit is set to a one whenever the Clear To Send bit changes state. This bit is reset when the PC/XT/AT reads the Modem Status Register.

## Scratch Register

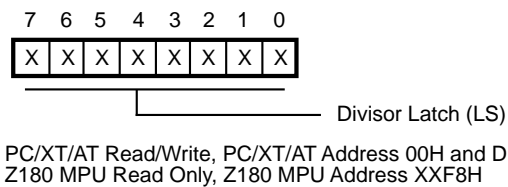


**Figure 99. Scratch Register**

### Bits 7-0 Scratch Register

This register is used by the PC/XT/AT programmer for temporary data storage. The Z180 MPU is able to read this register. If the PC/XT/AT writes to this register, no interrupt to the Z180 MPU is generated.

## Divisor Latch (LS)

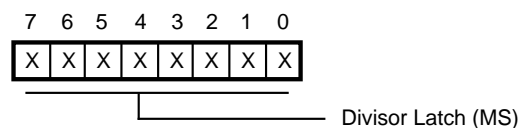


**Figure 100. Divisor Latch (LS)**

### Bit 7-0 Divisor Latch Most Significant (MS)

This register contains the low order byte of the Baud rate divisor. Writing to this register with the PC/XT/AT will generate an interrupt to the Z180 MPU. It can then read the Baud rate divisor and set up the application.

## Divisor Latch (MS)



**Figure 101. Divisor Latch (MS)**

### Bit 7-0 Divisor Latch Most Significant (MS)

This register contains the high order byte of the Baud rate divisor. Writing to this register with the PC/XT/AT will generate an interrupt to the Z180 MPU. It can then read the Baud rate divisor and set up application.

## PC DMA Mailbox

### General Description

The concept behind the PC DMA Mailbox Registers is to provide a path for the PC DMA data transfer separate from the MIMIC COM Port. Commands and data flow over the COM Port, while the DMA path is reserved for other purposes. The PC DMA Mailbox Register functionality will require control registers which will allow PC DMA data transfer between the PC memory and for example, a modem speaker/microphone codec. Note that the transfer will be driven by the PC Host DMAs. This feature only allows for the handshaking and data path for the PC Host DMAs.

The host (PC) DMA channels will use the following four Z189 pins for the PC DMA Mailbox feature. Each pair of pins are individually selectable:

HDRQ0	Host DMA request 0, Z189 output, active high, high-Z control
/HDACK0	Host DMA acknowledge 0, Z189 input, active low
HDRQ1	Host DMA request 1, Z189 output, active high, high-z control
/HDACK1	Host DMA acknowledge 1, Z189 input, active low

The pins labeled as HDRQ0 and HDRQ1 are asserted by the Z180 to signal the PC HOST of a DMA request. The pins labelled /HDACK0 and /HDACK1 are asserted by the PC to signal a PC DMA access. Dual request/acknowledge pairs are provided to interface with two PC DMA channels. The PC Mailbox channels are independent and can be used simultaneously or individually for jumperless DMA channel selection.

---

## PC DMA MAILBOX BIT FUNCTIONS

### HDREQ. Host DMA request bit, default value = 0

Two bits will serve to request a PC HOST DMA access. When this bit is set and the Host DMA channel is enabled (HDMAE=1), the corresponding HDRQ pin will be asserted high. Z180 software sets this bit (OUT0 instruction) to request a DMA transfer, and Z189 hardware clears the bit when the byte transfer is complete. Z180 software can also clear the bit. The Z180 will be able to read the bit (IN0 instruction) to indicate that the transfer has occurred.

I/O address of XXD2h (HMC register) contains a request bit for each DMA channel (bit 4 and bit 5 of the HMC register). Write enable bits are provided to simplify code (read-modify-write cycles not required).

### HDMAE Host DMA enable default=0, HDRQ is tri-stated

Two bits will serve to enable the dual DMA channels request/acknowledge pairs. When the HDMAE1 bit is set, the output will become fully driven, otherwise (HDMAE1 bit is reset) the HDRQ1 will be tri-stated. When the HDMAE0 bit is set the HDRQ0 output will become fully driven, otherwise, the HDRQ0 output will be tri-stated.

I/O address XXD2h is assigned the HMC register. Bits 0 and 1 of the HMC register are respectively assigned HDMAE0 and HDMAE1.

## PC MAILBOX DATA REGISTERS

HDMAT0 Host DMA Transmit Register 0,  
Z180 Read Only, PC Write Only

HDMAT1 Host DMA Transmit Register 1,  
Z180 Read Only, PC Write Only

HDMAR0 Host DMA Receive Register 0,  
Z180 Write Only, PC Read Only

HDMAR1 Host DMA Receive Register 1,  
Z180 Write Only, PC Read Only

There are four separate 8-bit mailbox registers available for DMA data. The I/O address for the mailbox registers will be XXDOH for Mailbox 0 and XXD1H for Mailbox 1. Note that there are separate registers for read and write access. The mailbox register can latch data from the host data bus HD[0:7] and is readable by the Z180 using IN0 a, (DOH) or IN0 a, (D1H). Data can be written into the mailbox registers using the OUT0 (DOH), a or OUT0 (D1H), a and can output its contents onto HD [0:7] during a PC HOST DMA access.

Note: The following is a description of other Z189 signals relevant in a PC DMA Mailbox access.

- The /HDDIS signal will go low during a PC DMA Read access (selected /HDACK and /HRD going low).
- The /HCS pin will not asserted low during a PC DMA Mailbox access (/HDACK active) if the HDRQ/HDACK channel is enabled.

### PC DMA Write

Through commands exchanged over the MIMIC COM Port, PC software and the Z180 agree to configure DMA for a PC DMA write, in which data flows from PC memory to, for example, a modem's speaker codec. The PC sets up its 8237 DMA controller in auto-initialize mode to assure that data is always available whenever the modem makes a DMA request. The Z180 clears HDREQ and sets HDMAE, forcing HDRQ low.

The PC DMA Write proceeds as follows:

1. Z180 software writes a 1 to the HDREQ bit, causing the HDRQ pin to go active High.
2. The rising edge of HDRQ causes the 8237 DMA controller to begin a memory-read, I/O-write DMA bus cycle on the ISA bus at the end of the current PC bus cycle. The PC asserts /HDACK low to acknowledge the DMA request.

3. Z189 hardware forces HDRQ inactive low on the leading (falling) edge of /HWR during the /HDACK cycle. Note that the HDREQ register bit is not to be cleared yet, since the DMA cycle has not yet completed.

4. The PC places valid data on the ISA bus (HD[0:7]) and asserts /HWR low.

5. Z189 hardware latches data into the HDMAT register on the trailing (rising) edge of /HWR while /HDACK is still active low. On this same edge, hardware clears the HDREQ register bit.

6. Z180 software polls the HDREQ bit until it's 0, and then can input the data byte from HDMAT. The polling of the HDREQ bit is used to indicate when the PC DMA Write has been completed. The PC software program should program its DMA controller to stop DMA at the end of valid data or when commanded by the application. When the Z180 software sets HDREQ, but doesn't see the HDREQ bit automatically cleared within a reasonable time (because /HDACK remains inactive high), then software can stop the PC DMA write by resetting the HDREQ bit.

7. Messages on the COM Port confirm that the PC DMA write operation is complete. Z180 software clears HDREQ, then clears HDMAE to disable host DMA.

### PC DMA Read

PC DMA Read is almost the same as a PC DMA Write, but the data flows the other direction through the HDMAR register.

Through commands exchanged over the MIMIC COM Port, PC software and the Z180 agree to configure DMA for a PC DMA Read, in which data flows from, for example, a modem's microphone codec to PC memory. The PC sets up its 8237 DMA controller in auto-initialize mode to assure that there is always buffer space available whenever the modem makes a DMA request. The Z180 clears HDREQ and sets HDMAE, forcing HDRQ low.

The PC DMA Read proceeds as follows:

1. Z180 software outputs the data byte to HDMAR, where it is latched.
2. Z180 software writes a 1 to the HDREQ bit, causing the HDRQ pin to go active high.

**PC MAILBOX DATA REGISTERS** (Continued)

3. The rising edge of HDRQ causes the 8237 DMA controller to begin an I/O-read, memory-write DMA bus cycle on the ISA bus at the end of the current PC bus cycle. The PC asserts /HDACK low to acknowledge the DMA request.
4. Z189 hardware forces HDRQ inactive low on the leading (falling) edge of /HRD during the /HDACK cycle. Note that the HDREQ register is not to be cleared yet, since the DMA cycle has not completed.
5. The PC asserts /HRD low while /HDACK is still active low, causing Z189 hardware to enable the latched HDMAR byte onto HD[0:7].
6. While Z189 hardware holds valid data on the ISA bus, the PC does its memory-write half of the DMA cycle. On the trailing (rising) edge of /HRD, Z189 hardware disables the output of the HDMAR register, putting HD[0:7] in high impedance state. On this same edge, hardware clears the HDREQ register bit. Note: /HDDIS will go low while the HDMAR register is accessed on the ISA bus.
7. Z180 software polls the HDREQ bit until it's 0, then continues with step 0 for the next byte.

PC DMA Read will not be stopped as with the case for PC DMA Write if the HDREQ handshake is not met. If software fails to see HDREQ reset soon after making the DMA request (because /HDACK remains inactive high), Z180 software should clear HDREQ and HDMAE and configure the data pump to stop the PC DMA Read.

**Logic Equations for PC DMA Read/Write**

This section summarizes the significant events for PC DMA Read/Write that was explained in the previous sections. This section can be used as a quick check of the circuit implementation.

**Set HDREQ bit:**

I/O write 1 to HDREQ bit in HMC register.

**Clear HDREQ bit:**

Reset

OR I/O write 0 to HDREQ bit in HMC register

OR (Rising edge of (/HRD and /HWR) while /HDACK=0)

**Drive HDRQ pin active high:**

HDREQ bit = 1 while HDMAE=1

**Drive HDRQ pin inactive low:**

Reset

OR /HDACK=0

OR HDREQ bit = 0

**Latch PC DMA Write data to HDMAT register:**

HDMAE=1

AND /HDACK=0

AND /HWR=0

**Drive PC DMA Read data from HDMAR register:**

HDMAE=1

AND /HDACK=0

AND /HRD=0

**Selectable DMA Channels**

The Z189 features jumperless selection of PC DMA channels. On the 8-bit PC/XT bus, DMA channels 0 and 3 are generally available, therefore reference designs may connect to those. 2 HDREQ bits and 2 HDMAE Enable bits are used to enable which PC DMA Channel is to be implemented. In addition, there are two additional bits which allow for the multiplexing of PC DMA Mailbox functions with Bus Mastering and Z180 peripheral functions.

**PC DMA Mailbox Pin Designations**

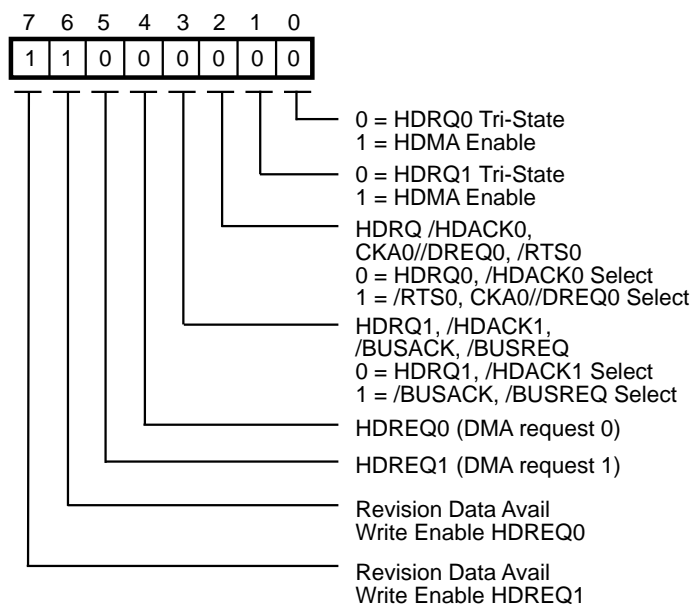
The four request/acknowledge pins will be designated as follows, and are assigned the following QFP pins as shown below:

HDRQ, pin 50, output (mux with RTS0)

/HDACK0, pin 43, input (mux with CKA0 and /DREQ0)

HDRQ1, pin 97, output (mux with /BUSACK)

/HDACK1, pin 98, input (mux with /BUSREQ)

**PC MAILBOX DATA REGISTERS** (Continued)

**Figure 102. Host DMA Mailbox Control Register, HMC**  
(Z180 MPU Read/Write Address XXD2H)

**Bits 7 Write Enable HDREQ1 (Write only)**  
**Revision Data Available (Read only)**

Set this bit whenever setting/resetting the HDREQ1 bit. When this bit is written with 1, bit 5 will be written into the HDREQ bit and bits 0-3 are ignored. When this bit is written with zero, bits 0-3 can be written and bit 5 is ignored. Note that this bit does not change the write access to bits 4 and 6. The Write Enable is not latched and must be set for each HDREQ1 write.

When bit 7 is read it is set upon powerup and becomes reset during the 1st read of the HDMAT1 register.

**Bits 6 Write Enable HDREQ0 (Write only)**

Set this bit whenever setting/resetting the HDREQ0 bit. When this bit is written with 1, bit 4 will be written into the HDREQ0 bit and bits 0-3 are ignored. When this bit is written with zero, bits 0-3 can be written and bit 4 is ignored. Note that this bit does not change the write access to bits 5 and 7. The Write enable is not latched and must be set for each HDREQ0 write.

When bit 6 is read, it indicates the availability of the revision data in the Host DMA transmit register (HDMAT0). When the revision data is read by the Z180 CPU, this bit will become reset and the revision data will no longer be available in the HDMAT0 register.

**Bit 5 HDREQ1 Bit**

When Mailbox 1 is multiplexed and enabled (HDMAE1=1), setting this bit will cause the HDRQ1 pin to go active high, which puts out a request to the PC for a DMA transfer. Z189 hardware clears this bit when byte transfer is complete. This bit is disabled upon reset. This bit can also be reset to force the HDRQ1 pin to inactive low. Note that Bit 7 must be set to modify HDREQ1.

**Bit 4 HDREQ0 Bit**

When Mailbox 0 is multiplexed and enabled (HDMAE0=1), setting this bit will cause the HDRQ0 pin to go active high, which puts out a request to the PC for a DMA transfer. Z189 hardware clears this bit when byte transfer is complete. This bit is disabled upon reset. This bit can also be reset to force the HDRQ0 pin to inactive low. Note that Bit 6 must be set to modify HDREQ0.

**Bit 3 HDRQ1/HDACK1, /BUSACK /BUSREQ**

This bit selects the multiplexing that will occur between the HDRQ1//BUSACK and the /HDACK1/BUSREQ pins. If this bit is set to 0, the HDRQ1 and /HDACK1 functions are enabled for this pin. Otherwise, if this bit is set to 1, the /BUSACK and /BUSREQ functions are enabled for this pin. This bit is reset to 0.

**Bit 2 HDRQ/HDACK0, /RTS0 CKA0//DREQ0**

This bit selects the multiplexing that will occur between the HDRQ0//RTS0 and the /HDACK/CKA0//DREQ0 pins. If this bit is set to 0, the HDRQ and /HDACK0 functions are enabled for this pin. Otherwise, if this bit is set to 1, the CKA0//DREQ0 and /RTS0 functions are enabled for this pin. This bit is reset to 0.

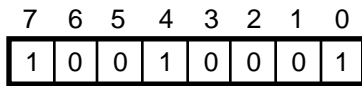
**Bit 1 HDMAE1 bit**

When this bit is set to 1, it allows Mailbox 1 to request a PC DMA cycle given that the Mailbox 1 pins are multiplexed (bit 4=1). When this bit is cleared to 0, the HDREQ1 is tri-stated if Mailbox 1 pins are multiplexed. When this bit is cleared, the HDMAT1 can be used to store HOST OUTPUT MAILBOX DATA.

**Bit 0 HDMAE0 bit**

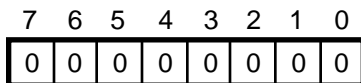
When this bit is set to 1, it allows Mailbox 0 to request a PC DMA cycle given that the Mailbox 0 pins are multiplexed (bit 4=1). When this bit is cleared to 0, the HDREQ0 is tri-stated if Mailbox 0 pins are multiplexed.

## PC DMA MAILBOX DATA REGISTERS

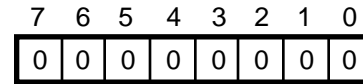


**Figure 103. Host DMA Transmit Register, HDMAT0**  
(Z180 MPU Read Only Address XXD0H)  
(PC Write Only)

**Note:** 91hex is defaulted into this register to indicate revision (9 for Z189 and 1 for 1st revision). Once the revision data is read by the Z180 CPU, bit 6 of the HMC register (Revision Data Avail bit) will be read as zero.

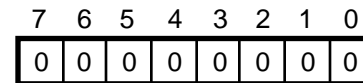


**Figure 104. Host DMA Receive Register, HDMAR0**  
(Z180 MPU Write Only Address XXD0H)  
(PC Read Only)



**Figure 105. Host DMA Transmit Register, HDMAT1**  
(Z180 MPU Read Only Address XXD1H)  
(PC Write Only)

HDMAT1 can also be used as a HOST OUTPUT MAILBOX DATA REGISTER. Refer to Host Output Mailbox function for details.



**Figure 106. Host DMA Receive Register, HDMAR1**  
(Z180 MPU Write Only Address XXD1H)  
(PC Read Only)

## HOST INPUT/OUTPUT MAILBOX ENHANCEMENTS

The purpose of Host I/O Mailbox is to provide an additional data path between PC HOST and Z80189 in a Modem Control Application. This is required in order to accommodate transfer of data other than data (flows through COM Port) or audio (flows through PC DMA MAILBOX). An example implementation of this feature is described below:

- PC HOST controlled COM Port selection. In a Pseudo "Plug & Play" environment, the PC BIOS will assign a modem to a COM Port address upon powerup. Therefore, the Modem will need to "listen" to the PC bus for BIOS calls that query the existence of a modem card.

The modem will then need to reply and output information on its capabilities and requirements. The PC BIOS will then assign the Modem to a COM Port and interrupt such that there are no resource conflicts.

In order to facilitate the feature listed above, a communication path needs to be available between a PC BIOS and Modem PRIOR to the selection of COM Port, DMA, or IRQ selection.

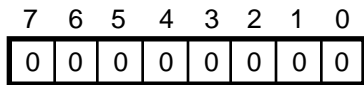
## Enhancement Detail

PC HOST Address Selection. There are a total of 4 registers addresses that are accessible by the PC HOST. They are as follows:

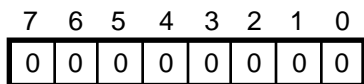
Function	Address HA9-HA2 programmable	
	HA1	HA0
Host Output Register 0	0	0
Host Output/Input Register 1	0	1
Host I/O Status Register	1	0
*Host Output to HDMAT1 Register	1	1

The HA9-HA2 is programmable by writing the contents into Port A Data Register. The PC HOST access will occur during a PC HOST input/output cycle at the programmed address range (/HRD or /HWR=0, HAEN=0, PA[9:2]=PADATA[7:0]). **NOTE: PADATA SHOULD BE WRITTEN WITH THE ADDRESS RANGE PRIOR TO ENABLING THIS FEATURE.**

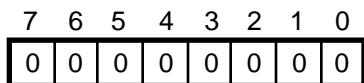
\* If the Host DMA Mailbox 1 function is disabled (bit 1 of HMC register is zero), a Host write in the programmed Mailbox range with HA1,0=1,1, will cause the host data to be latched into the HDMAT1 register. This can be used as an auxiliary host output register. Note that a host read from this address is invalid.



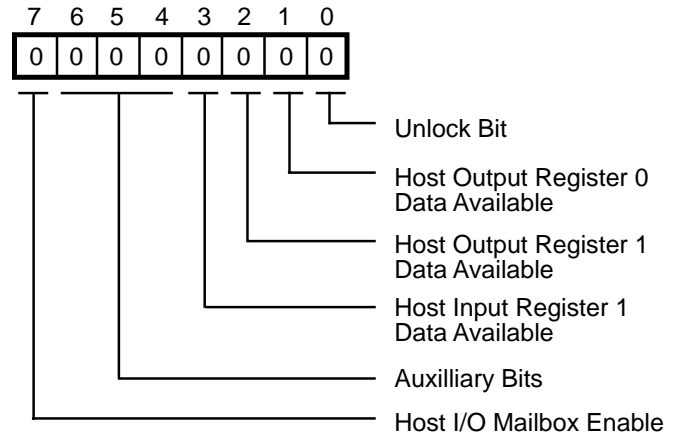
**Figure 107. Host Output Register 0 (HOR0)**  
(180 MPU Read Only Address XXD3H)  
(PC Host Read/Write HA9-2 (PADATA) + 00b)



**Figure 108. Host Output Register 1 (HOR1)**  
(180 MPU Read Only Address XXD4H)  
(PC Host Write Only HA9-2 (PADATA) + 01b)



**Figure 109. Host Input Register 1 (HIR1)**  
(180 MPU Write Only Address XXD4H)  
(PC Host Read Only HA9-2 (PADATA) + 01b)



**Figure 110. Host I/O Status Register (HIOS)**  
(180 MPU Read/Write Address xxD5H)  
(PC Host Read Only HA9-HA2 (PADATA) + 10b)

**Bit 7. Host I/O Mailbox Enable.** The Z180 must write a logic one to this bit to enable the Host I/O Mailbox. When this bit is at zero (default), Host accesses are disabled. This bit is only writable by the Z180, but is readable by both Z180 and PC Host. When this bit is zero, registers D3, D4 and D5 cannot be read or written except for a write to the enable bit in register D5 bit 7. Also, when this bit is set, all registers become visible to the Z180 and the Host.

**Note:** The PADATA should be programmed with HA9:HA2 address range prior to setting this bit. This bit should be programmed as zero when the COM Decode Mux (CDR bit 0) is disabled.

**Bits 6-4. Auxiliary bits.** these bits can be written by the Z180 and can be read by both the PC HOST and the Z180. Note that the PC HOST cannot write to these bits. The Auxiliary Bits are zero by default and have no function other than to serve as scratch bits for the HOST I/O Mailbox.

**Bit 3. Host Input Register 1 Data Available.** This bit becomes set when the Z180 writes to the Host Input Register 1. A PC Host read of the Host Input Register 1 will cause this bit to clear. This bit cannot be set unless the Host I/O Mailbox enable bit is set.

**Bit 1. Host Output Register 0 Data Available.** This bit becomes set when the PC Host writes to the Host Output Register 0. A Z180 read of the Host Output Register 0 will cause this bit to clear. This bit cannot be set unless the Host I/O Mailbox enable bit is set.

## HOST INPUT/OUTPUT MAILBOX ENHANCEMENTS (Continued)

**Bit 0. Unlock Bit.** When the Host I/O Mailbox is enabled, a PC Host Write to Address 0FBHex will cause this bit to set. A PC host write to address 0F9hex will cause this bit to reset. The data written to these registers will NOT be stored. A read access or access with HAEN=1 will NOT cause this bit to toggle. Note that this bit has no function other than a status bit (there is no locking or unlocking caused by the state of this bit). The state of the unlock bit is not controlled by the Host I/O Mailbox bit. Any I/O write to FB will set the bit and a write to F9 will clear it regardless of the state of the Host I/O Mailbox enable bit. Note that the data written to 0FBhex or 0F9hex will not be stored by the Z189.

### I/O Chip Select w/Prog. Range

The Z80187 has two I/O Chip Selects labelled /IOCS1 and /IOCS2. The /IOCS1 will have same functionality as the Z80182's /IOCS pin (multiplexed with IEO and active during I/O accesses between ranges XX80H to XXBFH). The IOCS pins will be asserted if /IORQ is active, /M1 is inactive, and address compare is within range.

The Z80189 also has a secondary IOCS labeled /IOCS2. This pin will be active for I/O accesses in the range of XXC0H - XXC7H or XXC8H-XXCFH. The /IOCS2 pin will be multiplexed over the E pin when enabled.

### COM Port Decode

COM Port decode allows MIMIC to be selected when PC address HA9-HA3 specifies a selected COM port address range by HC pins 1 and 2 (selects COM Port address 1-4).

HC1 and HC2 can be read in software and program an appropriate comport range for the decode circuitry. HC1 and HC2 can also be used for general input purposes. The status of these pins can also be read when the COM Decode Mux is disabled.

If COM Port decode is disabled and COM Port decode mux is enabled (default), COM Decode Pins HA9-HA3, HAEN are ignored inputs. If HC1 is forced low the MIMIC Data latch will be forced open. Therefore, care should be taken that the HC1//HCS pin is NEVER connected directly to logic high or low, when COM Port Decode is disabled.

/HCS pin can also be programmed as an output for debug purposes. When the /HCS Force bit (Bit 7 in the COM Port Decode Register) is enabled, the /HCS pin will be asserted low whenever the MIMIC is being accessed by the PC host. This feature is only available when the COM Port Decode is enabled.

A dual HINTR option will provide two MIMIC Interrupt requests to the HOST. HINTR1 will be asserted during a MIMIC interrupt request when COM Decode is configured for COM 1 & 3. HINTR2 will be asserted during a MIMIC interrupt request when COM Decode is configured for COM 2 & 4. The unasserted HINTR line will be tri-stated.

**Note that during initialization, the COM Decode Register must be written to before the System Configuration Register.**

### Single Baud Rate Generator

A Baud Rate Generator is included to provide emulation timing for the MIMIC device. This BRG is very similar to ESCC BRG in functionality. There are 2x8 bit registers to program the clock divider. The input to the BRG is the PHI clock output of the S180 core.

The time constant required for a specific bit rate is as follows:

$$\text{Time constant (decimal)} = (\text{PHI freq.} / (2^* \text{baud rate})) - 2$$

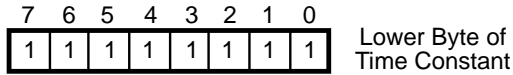
This formula is exactly the same as used in the ESCC.

The output of the BRG is directly connected to MIMIC emulation counter input.

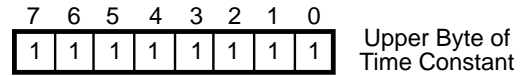


## Baud Rate Generator Register

The following registers are used to store BRG constant. The timer is enabled after setting bit 0 of IOBRG register. Design is such that on-the-fly modification of registers do not cause irregular BRG output.



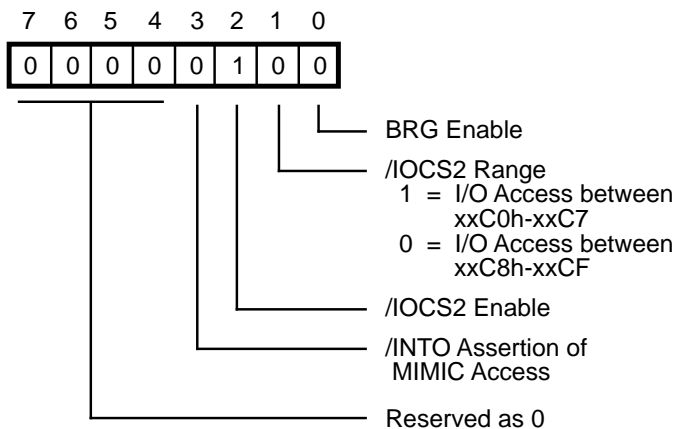
**Figure 111. BRGL Baud Rate Generator Low**  
(Address XXE0H) Default 00 Hex



**Figure 112. BRGH Baud Rate Generator High**  
(Address XXE9H) Default 00 Hex

## IOBRG Register

The following register handles the IOCS feature and MIMIC BRG. IOBRG-IOCS & BRG enable (Address XXD6H) Default 04 hex.



**Figure 113. IOBRG-IOCS and BRG Enable**  
(Address XXD6H)

Bits 4-7 Reserved

Bit 3 R/W /INT0 assertion on MIMIC access. When this bit is enabled, and the /HALT is active (power-down) any HOST access to the MIMIC will cause a low edge. Since this interrupt source has no vector, /INT0 MODE 1 must be used when enabling this mode. This is disabled on power-up. /INT0 assertion is released when /HALT is deasserted.

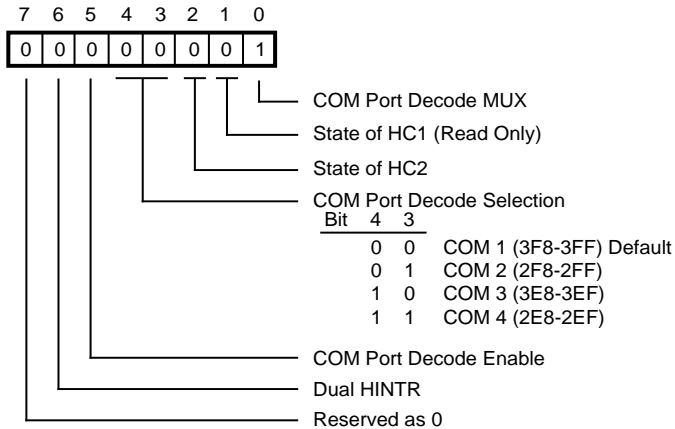
**Note:** The THRE bit is forced to 0 on the PC side to prevent THR overrun during powerdown modes when this feature is enabled. When the MIMIC comes out of power-down, THRE resumes normal functionality.

- Bit 2 /IOCS2 enable  
When set, IOCS2 is muxed over E pin. This is enabled on reset.
- Bit 1 R/W /IOCS2 range.  
When set, IOCS2 is active during I/O accesses between XXC0H-XXC7H.  
When reset, IOCS2 is active during I/O accesses between XXC8H-XXCFH. This is disabled on power-up.
- Bit 0 R/W BRG enable. When set, the MIMIC BRG begins counting down to generate a programmed square wave to the MIMIC emulation timers. This is disabled on power-up.

**Note:** When waking from Standby Mode using a PC-THR write, the THRE bit will not reset until clock is stabilized. This may cause a THR overrun. Therefore, data integrity cannot be guaranteed. Care should be taken so that standby mode is only used when data integrity is not essential.

**HOST INPUT/OUTPUT MAILBOX ENHANCEMENTS** (Continued)

The register that handles and enables COM port decode and multiplexing is as follows:



**Figure 114. CDR - COM Decode Register**  
(Address XXD7H)

CDR - COM Decode Register (Address XXD7H) default 01hex

Bit 0 R/W COM Port Decode Mux. When set, COM Port Decode pins (HA9-HA3, HAEN HC1-2) are enabled. This is set on default. Refer to multiplexing section for further detail.

Bit <1-2> Read only registers that specify the state of HC1 and HC2 input pins when COM Port select feature is enabled in bit 0.

Bit 1 represents HC1 input. Bit 2 represents HC2 input. Since HC1 is multiplexed with /HCS, care should be taken that if COM Port Decode is disabled, /HCS is not forced low.

Bit <3-4> R/W COM Port decode selection. These two bits are used to select COM Port decode 1-4 as follows:

Bit 4	Bit 3	
0	0	COM 1 (3F8-3FF) default
0	1	COM 2 (2F8-2FF)
1	0	COM 3 (3E8-3EF)
1	1	COM 4 (2E8-2EF)

MIMIC access will only be allowed if inputs HA9-HA3 reflect the above address ranges and HAEN is deasserted. HAEN is used to disable the COM

decoder during a PC-DMA cycle. This circuitry is not used when COM Port Decode (bit 5) is disabled.

HA2-HA0 are used to select between internal MIMIC registers.

Bit 5 R/W

COM Port Decode enable. When this bit is set, HA3-HA9 inputs are used for COM Port Decoder. The MIMIC will be accessible given that the address inputs HA3-HA9 are within the range programmed by bits 3 & 4 when HAEN is active low.

Please refer to MULTIPLEXING section for details on pin HA3-HA9 muxing. This is disabled on reset. When disabled, the COM Port Decode inputs are still treated as inputs, but have no affect on MIMIC operation.

Bit 6 R/W

Dual HINTR. When this bit is set, the HINTR2 output will be asserted for MIMIC interrupt requests when configured for COM 2 & 4. HINTR1 output will be asserted for MIMIC interrupt requests when configured for COM 1 & 3. When disabled, HINTR2 is always inactive (tri-stated) while HINTR1 is active for all MIMIC interrupt requests. This is disabled on reset (HINTR2 is tri-state on power-up).

Note that the unselected HINTR line will be tri-stated while the active HINTR line will be driven as per the MIMIC Master Control Register

Bit 7

/HCS Force Bit. When Bit 0 and Bit 5 of this register is set to 1 (COM Decode Mux and Logic Enabled), it forces the /HCS signal to be exported out of the /HCS/HC1 pin. /HCS output is asserted when HA3-HA9 is within the boundaries programmed by bits 3-4 of CDR (regardless of /HRD and /HWR). /HCS is NOT asserted for PC DMA Mailbox accesses. If this bit is zero (default), the /HCS/HC1 pin becomes an input.

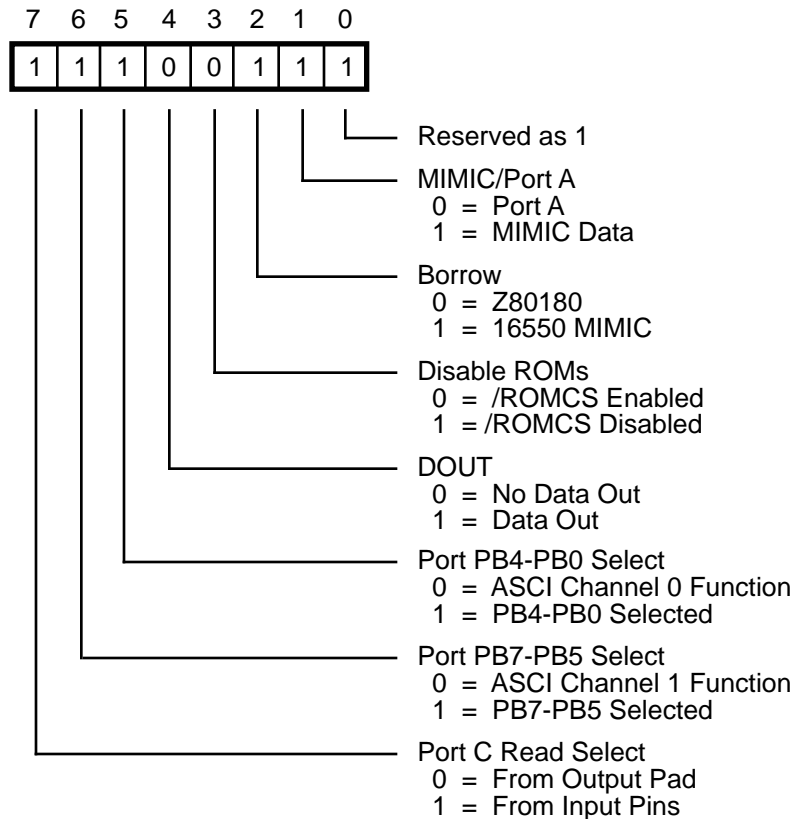
**Note:** The /HCS/HC1 pin is tied to both /HCS function and HC1 functions simultaneously when bit 7 is reset to zero. Therefore, MIMIC access is disabled until the first System Configuration Register Write on COM Decode (bit 5) is enabled. This mechanism prevents accidental bus contention if /HCS/HC1 pin is pulled low.

**Note:** The COM Decode Register must be written first, prior to the System Configuration Register during initialization.

## Z189 MISCELLANEOUS CONTROL AND INTERFACE REGISTERS

The Z80189 has the same capability of the Z180 MPU. Some extra I/O registers have been added to the Z180 MPU to interface with the Parallel ports, COM Port Decode and the 16550 MIMIC interface. A System Configuration

Register is located at the Z180 MPU I/O Address %EF which determines the current operating mode. This register must be WRITTEN before the MIMIC is enabled.



**Figure 115. System Configuration Register**  
(Z80180 MPU Address XXEFH)

**Note:** The COM Decode Register should be written prior to writing to this register.

### Bit 7 Port C read

When this bit is set, a read from Port C will return value of logic state on Port C. When this bit is reset, a read from Port C will return the contents of Port C output pads (last value output on port C). This bit is not relevant when Port C is programmed for output.

### Bit 6 PB7-PB5 Select

When this bit is set Port B bits 7-5 are multiplexed over ASCI 1 functions. When this bit is reset ASCI 1 functions are active.

### Bit 5 PB4-PB0 Select

When this bit is set Port B bits 4-0 are multiplexed over ASCI 0 functions. When this bit is reset ASCI functions are active.

### Bit 4 D<sub>OUT</sub> ROM Emulator Mode Enable

When this bit is set to a 1, the Z182 is in "ROM emulator mode". In this mode, bus direction for certain transaction periods are set to the opposite direction to export internal bus transactions outside the Z80189. This allows the use of ROM emulators/logic analyzers for application development. See Figures 115 and 116.

**Z189 MISCELLANEOUS CONTROL AND INTERFACE REGISTERS** (Continued)

<b>I/O and Memory Transactions</b>								
	I/O Write to On-Chip Peripherals	I/O Read from On-Chip Peripherals	I/O Write to Off-Chip Peripherals	I/O Read from Off-Chip Peripherals	Write to Memory	Write from Memory	Refresh	Z80189 Idle Mode
Z80189 Data Bus (DDOUT=0)	Out	Z	Out	In	Out	In	Z	Z
Z80189 Data Bus (DDOUT=1)	Out	Out	Out	In	Out	In	Z	Z

<b>Interrupt Acknowledge Transaction</b>		
	Intack for On-Chip Peripheral	Intack for Off-Chip Peripheral
Z80189 Data Bus (DDOUT=0)	Z	In
Z80189 Data Bus (DDOUT=1)	Out	In

**Figure 116. Data Bus Direction (Z180 Bus Master)**

The word "Out" means that the Z189 data bus direction is in output mode, "In" means input mode, and "Z" means High impedance.  $D_{DDOUT}$  stands for Data Direction out and is the status of the D4 bit in the System Configuration Register.

**Bit 3 Disable ROMs**

If this bit is a one it disables the /ROMCS pin. If it is a zero addresses below the ROM boundary set by the ROMBR register will cause the /ROMCS pin to go low.

**Bit 2 Borrow**

For Bit 2 of the System Configuration Register when the bit is set to 0, the HINTR1/ $T_{OUT}$  is multiplexed to  $T_{OUT}$ . When this bit is set to 1, the HINTR1/ $T_{OUT}$  bit is multiplexed to HINTR1. This bit is set to 1 upon reset.

**Bit 1 MIMIC/Port A**

When this bit is set, MIMIC is multiplexed over Port A. This is enabled on power-up.

**Bit 0 Reserved**

**Note:** MIMIC access is disabled until the first system configuration register write after Power-up or reset. This mechanism prevents accidental bus contention from if /HDCS/HC1 pin is pulled Low. To avoid accidental contention when /HCS/HC1 is pulled low, it is advisable that the COM Decode Register is written first prior to when the system configuration register is initialized.

**Z189 MISCELLANEOUS CONTROL AND INTERFACE REGISTERS (Continued)**

<b>I/O and Memory Transactions</b>								
	I/O Write to On-Chip Peripherals	I/O Read from On-Chip Peripherals	I/O Write to Off-Chip Peripherals	I/O Read from Off-Chip Peripherals	Write to Memory	Write from Memory	Refresh	Z80189 Idle Mode
Z80189 Data Bus (DDOUT=0)	In	Out	Z	Z	Z	In	Z	Z
Z80189 Data Bus (DDOUT=1)	In	Out	Z	Z	Z	In	Z	Z

<b>Interrupt Acknowledge Transaction</b>		
	Intack for On-Chip Peripheral	Intack for Off-Chip Peripheral
Z80189 Data Bus (DDOUT=0)	Out	In
Z80189 Data Bus (DDOUT=1)	Out	In

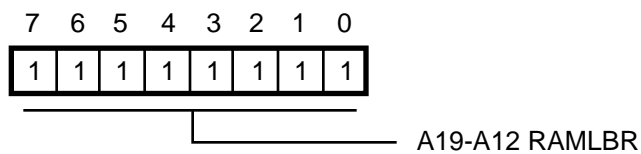
**Figure 117. Data Bus Direction (Z80180 is Not Bus Master)**

## RAMCS/ROMCS

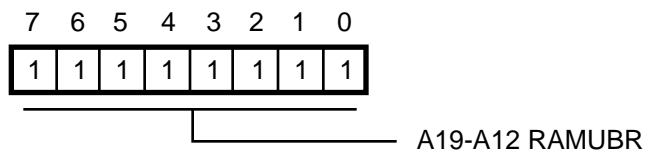
To assist with decoding of ROM and RAM blocks of memory, three more registers and two pins have been added to the Z80189. The two pins are /ROMCS and /RAMCS. The three registers are the ROMBR, RAMLBR and RAMUBR.

### RAMUBR, RAMLBR RAM Upper Boundary, RAM Lower Range Boundary Range

These two registers specify the address range for the /RAMCS signal. When accessed memory addresses are less than or equal to the value programmed in the RAMUBR and greater than or equal to the value programmed in the RAMLBR, /RAMCS is asserted. In the case that these registers are programmed to overlap, /ROMCS takes priority over /RAMCS (/ROMCS is asserted and /RAMCS is inactive).



**Figure 118. RAMUBR**  
(Z180 MPU Address XXE6H)



**Figure 119. RAMLBR**  
(Z180 Address XXE7H)

Chip Select signals are going active for the address range:  
 ROMCS: (ROMBR)  $\geq$  A19-A12  $\geq$  0  
 /RAMCS: (RAMUBR)  $\geq$  A19-A12  $\geq$  (RAMLBR)

These registers are set to "FFH" at power-on reset, and the boundary addresses of ROM and RAM are as follows:

**ROM lower boundary address**  
(fixed) = 00000H

**ROM upper boundary address**  
(ROMBR register) = 0FFFFFFH

**RAM lower boundary address**  
(RAMLBR register) = 0FFFFFFH

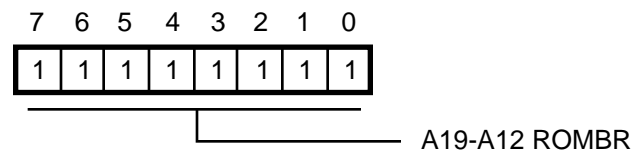
**RAM upper boundary address**  
(RAMUBR register) = 0FFFFFFH

Since /ROMCS takes priority over /RAMCS, the latter will never be asserted until the value in the ROMBR and RAMLBR registers are re-initialized to lower values.

### ROMBR ROM Address Boundary Register

This register specifies the address range for the /ROMCS signal. When accessed memory addresses are less than or equal to the value programmed in this register, the /ROMCS signal is asserted.

This signal can be forced to a "1" (inactive state) by setting Bit 3 in the System Configuration Register, to allow the user to overlay the RAM area over the ROM area.



**Figure 120. ROMBR**  
(Z180 Address xxE8H)

## Z80189 ROM/RAM WAIT STATE GENERATOR

A separate Wait State Generator is provided for access memory using /ROMCS and /RAMCS. A single eight bit register is added to enable/disable this feature as well as provide two 3-bit fields that provides a 1-8 waits for each chip select.

**Bit 7** /RAMCS Wait State Generator Enable.  
Disable on power-up or reset.

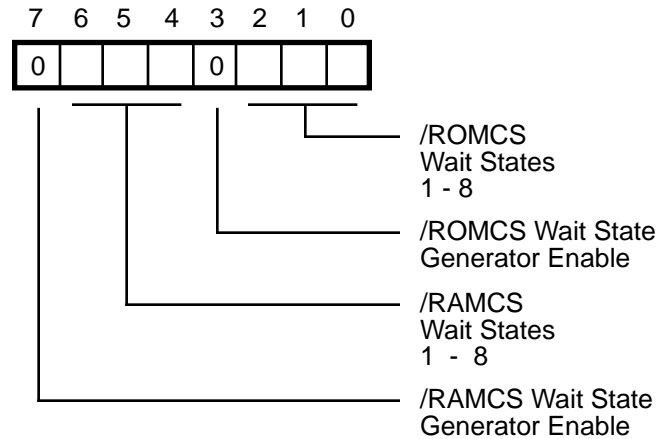
**Bit 6-4** /RAMCS Wait States 1-8.  
8 wait states on power-up or reset.

**Bit 3** /ROMCS Wait State Generator Enable.  
Disable on power-up or reset.

**Bit 2-0** /ROMCS Wait States 1-8.  
8 wait states on power-up or reset.

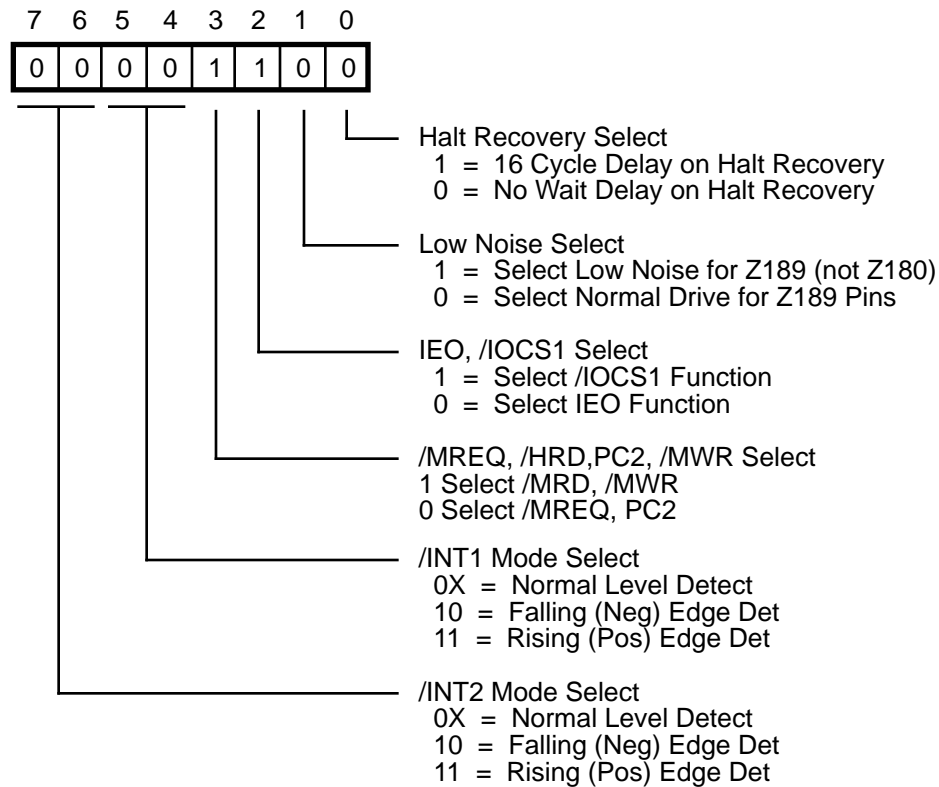
If Wait State is disabled or RAMCS and ROMCS is not asserted, the memory access is default to Wait State programmed in the DCNTL register of Z180 DMAs. Note that the wait states inserted by this register and DCNTL do not add. The actual number of wait states inserted is the greater of the two.

**Note:** That the wait states inserted by this register and DCNTL do not add. The actual number of wait states inserted is the greater of the two.



**Figure 121. WSG Chip Select Register**  
(Z180 MPU Read/Write, Address XXD8H)

## INTERRUPT EDGE/PIN MUX REGISTERS



**Figure 122. Interrupt Edge/Pin Mux Register**  
(Z180 MPU Address XXDFH)

**Bits 7-6** control the interrupt capture logic for the external /INT2 PIN. When programmed as '0X', the /INT2 pin performs as the normal level detecting interrupt pin. When programmed as '10', the negative edge detection is enabled. Any falling edge will latch an active low on the internal /INT2 of the Z180. This interrupt must be cleared by writing a '1' to bit 7 of the Port C Data Register. Programming these control bits to '11' will enable rising edge interrupts to be latched. The latch is cleared in the same fashion as the falling edge. Interrupt Capture logic is not available in EV mode 1 (emulation adapter mode).

**Bits 5-4** control the interrupt capture logic for the external /INT1 PIN. When programmed as '0X', the /INT1 pin performs as the normal level detecting interrupt pin. When programmed as '10', the negative edge detection is enabled. Any falling edge will latch an active low on the internal /INT1 of the Z180. This interrupt must be cleared by writing a '1' to bit 6 of the Port C Data Register. Programming these control bits to '11' will enable rising edge interrupts to be latched. The latch is cleared in the same fashion as the falling edge. Interrupt Capture Logic is not available in EV mode 1 (emulator adaption mode).

**Bit 3** Programming this bit to 1 selects the /MRD and the /MWR outputs. When this bit is set, /MREQ will be removed for the qualification of both /RAMCS and /ROMCS. By programming this bit to 0, the /MREQ Z180 and PC2 outputs are enabled. This bit is 0 upon reset.

**Bit 2** selects the /IOCS1 function which is the default for power up and /RESET conditions. By programming this bit to '0', the IEO function is enabled for this multiplexed pin.

**Bit 1** selects the low noise or normal drive feature for the Z189 pins. The default at power up is normal drive for Z189 pins. By programming this bit to '1', low noise for the Z189 pins is chosen (not the Z180 pins). Programming this bit to '0' selects normal drive for the Z189 pins. Z189 pins include: all MIMIC output pins, ROM/RAM chip selects, bit I/O, IOCS1, IOCS2, and PC DMA Mailbox outputs.



**INTERRUPT EDGE/PIN MUX REGISTERS** (Continued)

**Bit 0** A '1' selects 16 cycle wait delay on recovery from Halt if bit 5 of the Z80189 Enhancements Register Z180 MPU Address D9H is set to zero. A '0' selects no wait delay on Halt recovery. The definition of Halt recovery is as follows. If this mode is selected the following pins assume the following states during halt and during the recovery, whether it is in Halt, SLP, IDLE or STBY Modes:

Address	= Z
Data Bus	= Z
/RD	= Z
/WR	= Z
/MREQ	= Z
/M1	= 1
ST	= 1
/IORQ	= 1
/BUSACK	= 1 (1)
/RFSH	= 1 (2)
/IOCS1	= Z (3)
/IOCS2	= Z
HDRQ0	= Z (3)
HDRQ1	= Z (3)

**Note 1.** This assumes that BUSREQ is not activated during the halt.

**Note 2.** This assumes that the refresh is not enabled. This would not be a logical case since the address bus is tri-stated during the Halt mode.

**Note 3.** This is only true if the function is enabled.

The Halt recovery mode is implemented by applying wait states to the next cpu operation following the exit from halt. All signals listed above are forced to their specified state (unless otherwise noted) during halt and also during the recovery state. Sixteen cycles after the halt pin goes high the signals are released to their normal state. Then eight wait states are inserted to allow proper access to accommodate slow memories.

**Z80189 ENHANCEMENTS REGISTER (Z180 MPU ADDRESS D9H)**

**Bit 7** Forced /ROMCS Memory Boundary. When this bit is set to 1, it will force the /ROMCS boundary. A19 will be connected directly to /ROMCS. /ROMCS will then be asserted from 00000H-7FFFFH. When this bit is cleared, /ROMCS will be accessed under the programmed address decoder range. This bit is 0 upon rest.

**Note:** In this mode, chip select assertion is NOT dependent on /MREQ assertion. During Sleep, /ROMCS will be forced inactive high.

**Bit 6** Forced /RAMCS Memory Boundary. When this bit is set to 1, it will force the /RAMCS boundary. /A19 will be connected to /RAMCS. /RAMCS will then be asserted from 8000H-FFFFFFH. When this bit is cleared, /RAMCS will be accessed under the programmed address decoder range. This bit is 0 upon reset.

**Note:** In this mode, chip select assertion is NOT dependent on /MREQ assertion. During sleep, /RAMCS is forced inactive.

When using the forced memory boundaries, the memory access time requirement is improved. The improved Memory access time equation is shown below:

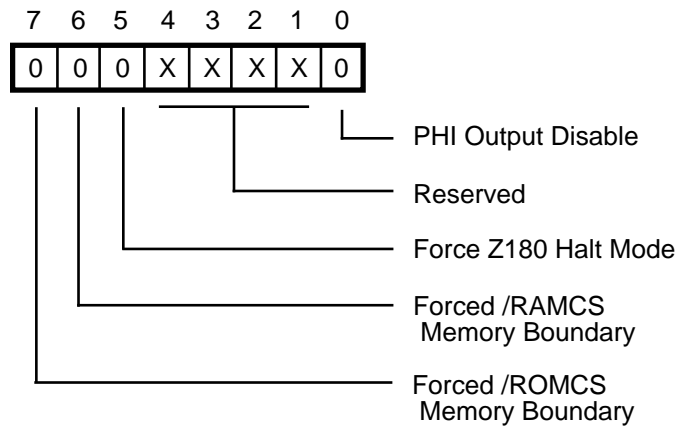
$$\text{ACC Time} < (2 + \text{WS}) * \text{clkperiod} - \text{Tad} - \text{Tdrs}$$

**Note:** When using forced ROM boundary without forced RAM boundary, or forced RAM boundary without forced ROM boundary, contention is possible (both /ROMCS & /RAMCS active). Care should be taken when programming memory boundaries such that there is no overlap.

**Bit 5** Force Z180 Halt Mode (Write/Read). MPU Signals are the same as Z180 during HALT modes. This allows bus acknowledge cycles during Z189 HALT modes.

**Bit 1:4** Reserved

**Bit 0** PHI Output Disable. When this bit is set, the PHI output is not driven by the system clock. The PHI output will be forced high in this mode. On production boards that do not use the PHI output, this feature can be used to reduce EMI. When this bit is reset, the system clock is output to PHI pin. This bit is reset by default. This feature is not usable in EV mode 1 (emulation adapter) or EV mode 2 (emulation probe).

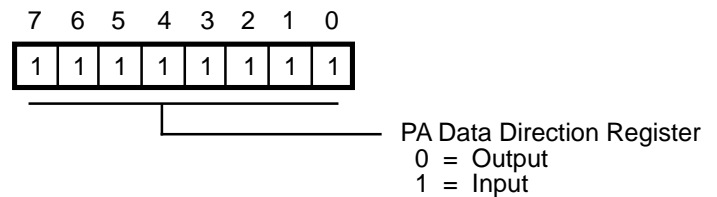
**Z80189 ENHANCEMENTS REGISTER I (Z180 MPU ADDRESS D9H)** (Continued)

**Figure 123. Z80189 Enhancements Register**  
(Z180 MPU Address 09H)

## PARALLEL PORTS REGISTERS

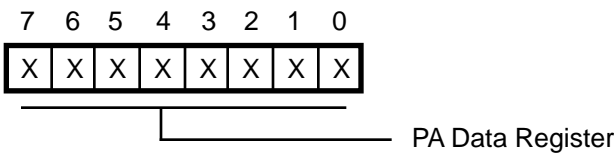
The Z80189 has three eight bit bidirectional ports. Each bit is individually programmable for input or output. The ports consist of two registers: the Port Direction Control Register and the Port Data Register. The port and direction register can be accessed in any page of I/O space since only the lowest eight address lines are decoded. Bits PC7 and PC6 are input only bits and have the special function of reading the external value of the /INT2 AND /INT1 pins. Writing '1' to these bits will clear the edge detect interrupt logic when operating /INT2 and/or /INT1 in edge detect mode.

When Port B and Port C bits 5-0 are deselected in the System Configuration Register, the Data and Data Direction Registers are still available as read/write scratch registers. If a port is deselected and if the DDR bit is a '0', then the written value to that bit will be latched; and this value can be read back. If a port is deselected and if the DDR bit is a '1', then you could read only the external pin value; any write to that bit is latched but can be read back only with DDR=0.



**Figure 124. PA Data Direction Register**  
(Z180 MPU Address XXEDH)

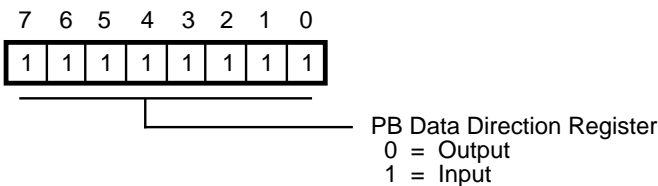
The data direction register determines which are inputs and outputs in the PA Data Register. When a bit is set to a one, the corresponding bit in the PA Data Register is an input. If the bit is zero, then the corresponding bit is an output.

**PARALLEL PORTS REGISTERS** (Continued)

**Figure 125. PA Data Register**  
(Z180 MPU Address XXEEH)

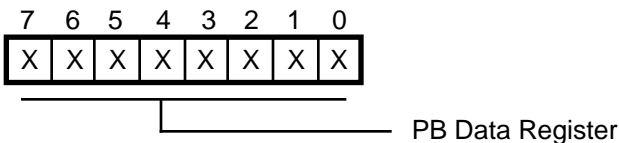
When the Z180 MPU writes to the PA Data Register, the data is stored in the internal buffer. Any bits that are output are then sent on to the output buffers.

When the Z180 MPU reads the PA Data Register, the data on the external pins is returned.



**Figure 126. PB Data Direction Register**  
(Z180 MPU Address XXE4H)

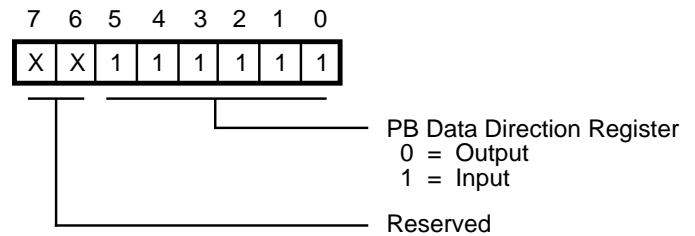
The data direction register determines which are inputs and outputs in the PB Data Register. When a bit is set to a one, the corresponding bit in the PB Data Register is an input. If the bit is zero, then the corresponding bit is an output.



**Figure 127. PB Data Register**  
(Z180 MPU Address XXE5H)

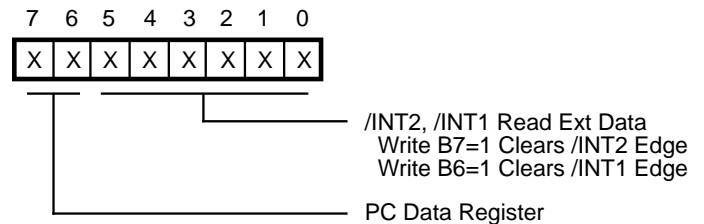
When the Z180 MPU writes to the PB Data Register, the data is stored in the internal buffer. Any bits that are output are then sent on to the output buffers.

When the Z180 MPU reads the PB Data Register, the data on the external pins is returned.



**Figure 128. PC Data Direction Register**  
(Z180 MPU Address XXDDH)

The data direction register determines which are inputs and outputs in the PB Data Register. When a bit is set to a one, the corresponding bit in the PB Data Register is an input. If the bit is zero, then the corresponding bit is an output.



**Figure 129. PC, Port C, Data Register**  
(Z180 MPU Address XXDEH)

When the Z180 MPU writes to the PC Data Register, the data is stored in the internal buffer. Any bits that are output are then sent on to the output buffers.

When the Z180 MPU reads the PC Data Register, the data on the external pins is returned.

Bits 7 and 6 serve the special function of reading the value of the external /INT2 and /INT1 lines. When operating either /INT2 or /INT1 in edge detection mode, the edge detect latch is reset by writing a '1' to bit 7 or 6 respectively. Writing a '0' has no effect. **These latches should be reset at the end of an /INT1 or /INT2 interrupts service routine when using edge-triggered interrupt routine.**

## EMULATION MODES

Z80189 provides four modes of operation. The modes are selected by the EV1 and EV2 pins. These four modes allow for system development while the MIMIC is disabled, and  $T_{OUT}$  is active.

	EV2	EV1	
Mode 0	0	0	Normal Mode, on-chip Z180 bus master
Mode 1	0	1	Emulation Adapter Mode
Mode 2	1	0	Emulator Probe Mode
Mode 3	1	1	Reserved Mode 0 Description

### Mode 0 Normal Mode

This is the normal operating mode for the Z80189.

### Mode 1 Description

The Emulation Adapter Mode enables system development for the Z189 with a readily available Z180 emulator. The Emulator provides the Z180 MPU and Z180 peripheral functions to the target system, with their signals passing through the emulation adapter. In Emulation Adapter Mode, the Z189's, Z180 MPU and Z180 peripheral signals are tri-stated or physically disconnected. The Z189 continues to provide its BRG, COM Port Decoder, MIMIC and Port functions and signals to the target system. The Mode 1 effects on the Z189 are:

Signal	Mode 0 Normal	Mode 1 Emulation Adapter
PHI	Output	Input
/M1	Output	Input
/MREQ,/MRD	Output	Input
/MWR	Output	Input
/IORQ	Output	Input
/RD	Output	Input
/WR	Output	Input
/RFSH	Output	Input
/HALT	Output	Input
ST	Output	Input
/BUSACK	Output	Input
/WAIT	Input	Output
A19,A18	Output	Input
A17-A0	Output	Input
D7-D0	Input/Output	Input/Output
TXA0	Output	Tri-state
/RTS0	Output	Tri-state
TXA1	Output	Tri-state
/INT0	Input	Output, Open-Drain

### Mode 2 Description

In the Emulator Probe Mode, all the Z189 output signals are tri-stated. This scheme allows a Z189 emulator probe to grab onto the Z189 package leads on the target system.

### Mode 3 Description

Reserved for Test Mode.

Note also that in Mode 1 and 3, the emulator must provide /MREQ on the (/MREQ) Z80189 pin.

## SLEEP, HALT EFFECT ON MIMIC AND Z189 SIGNALS

The following Z80189 signals are driven high when Z180 MPU enters a Sleep or Halt State:

/ROMCS, /RAMCS always high in Sleep or Halt.

The following signals are high-Z during Sleep and Halt:

/IOCS1 when so selected in the Interrupt Edge/Pin Mux Register.

/RD and /WR.

A0-A19 is always high-Z in power down.

D0-D7 always high-Z in power down modes.

HDRQ0, HDRQ1 are high-Z in HALT or Sleep.

## Clock Generator

The Z80189 ZIP™ uses the Z189 MPUs on-chip clock generator to supply system clock. The required clock is easily generated by connecting crystal to the external terminals (XTAL, EXTAL).

Recommended characteristics of the crystal and the values for the capacitor are as follows (the values will change with crystal frequency).

### Type of crystal:

Fundamental, parallel type crystal  
(AT cut is recommended)

### Frequency tolerance:

Application dependent

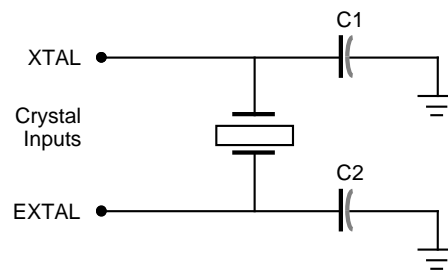
### CL, Load capacitance:

$C_L = C_1 = C_2$   
Approximately 22 pF  
(acceptable range is 20-30 pF)

### RS, equivalent resistance:

$\leq 60$  Ohms

$C_{IN} = C_{OUT} = 15\sim 22$  pF.



**Figure 130. Circuit Configuration for Crystal**

**ELECTRICAL CHARACTERISTICS**

This section describes pins in terms of classes of inputs and outputs.

**Pin Output/Input Classification**

<b>Class "0" output:</b>	Full time/totem pole $V_{OL}$ 0.4V max at $I_{OL}=2.0$ mA $V_{OH}$ 2.4V min at $I_{OH}=200$ $\mu$ A Slew rate 0.33 V/ns min at $C_{load}=50$ pF $C_{OUT}=15$ pF max (output or I/O)
<b>Class "3" output:</b>	as "0" except tri-state
<b>Class "S" output:</b>	Open Source capability Active High, Inactive tri-state
<b>Class "T" output:</b>	Tri-state $V_{OL}$ 0.4V max at $I_{OL}=16$ mA $V_{OH}$ 2.4V min at $I_{OH}=16$ mA Output impedance 45 ohms max Slew rate 0.05-0.40 V/ns (Cload not state by IEEE) $C_{OUT}=15$ pF max (output or I/O)
<b>Class "I" input:</b>	$V_{IL}$ 0.8V max at $V_{DD} \sim = 5V$ $V_{IL}$ 0.6V max at $V_{DD} \sim = 3.3V$ $V_{IH}$ 2.0V min $I_i \pm 10$ $\mu$ A max, $V_i=0$ to 5V (includes leakage if I/O) $C_{IN}=5$ pF max (if input only, see output type if I/O)
<b>Class "R" input:</b>	$V_{IL}$ 0.6V max $V_{IH}$ $V_{DD} - 0.6$ min at $V_{DD} \sim = 5V$ $V_{IH}$ $V_{DD} - 0.3$ min at $V_{DD} \sim = 3.3V$ $I_i \pm 10$ $\mu$ A max, $V_i=0$ to 5V $C_{IN}=5$ pF max

**Note:** All pins except XTAL,EXTAL have "weak latch" drivers. These drivers force the pin to a known state (logic high or logic low) and prevent pins from becoming unde-

fined. Unused pins need not be pulled up or pulled down to prevent ESD or power drain.

Table 17. Pin Classification Characteristics

Input Type	Output Type	DEFAULT FUNCTION	SECONDARY FUNCTION
	3	ST	
	3	A0-A19	
	3	D0-D7	
	3	PB0	TXS
	3	PB1	/CTSO
	3	PB2	/DCD0
	3	PB3	TXA0
	3	PB4	RXA0
	3	PB5	TXA1
	3	PB6	RXA1
	3	PB7	RXS//CTS1
	3	/HDACK0	CKA0//DREQ0
	3	HA9	CKA1//TEND0
	TS	HINTR1	T <sub>OUT</sub>
	3	HC2	CKS
	3	HA5	/DREQ1
	T	HDRQ0	/RTS0
	3	/RAMCS	
	3	/ROMCS	
		EV1	
		EV2	
	T	HD0	PA0
	T	HD1	PA1
	T	HD2	PA2
	T	HD3	PA3
	T	HD4	PA4
	T	HD5	PA5
	T	HD6	PA6
	T	HD7	PA7
	3	PC5	
	3	PC3	
	3	PC2	/MWR
	3	PC1	
	3	PC0	
	3	PC4	

The following table shows the characteristics of each pin in terms of the previous classifications. A blank in the

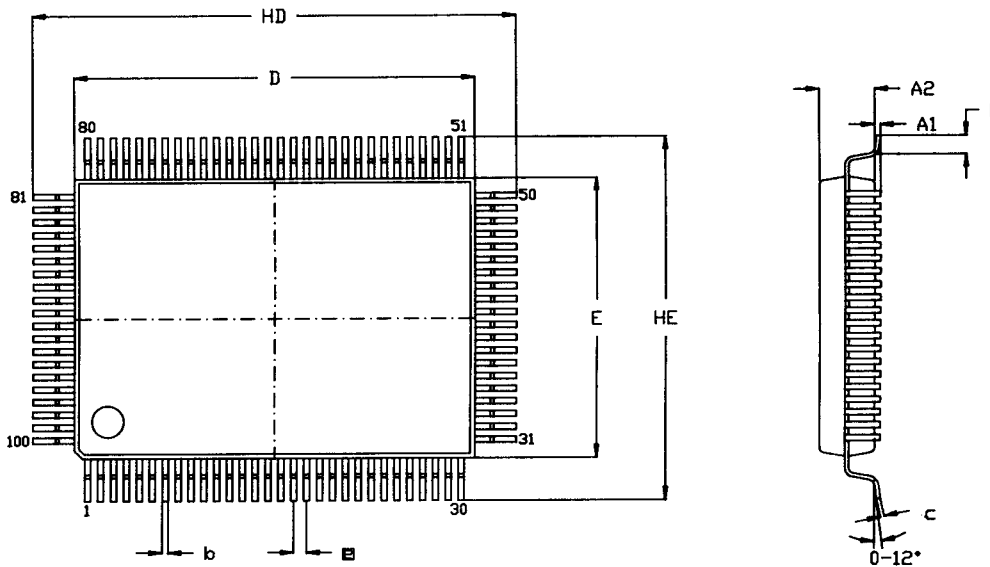
"input" or "output" column indicates the pin does not have that function.

**ELECTRICAL CHARACTERISTICS** (Continued)

Input Type	Output Type	DEFAULT FUNCTION	SECONDARY FUNCTION
	3	HA8	
	3	/IOCS1	IEO
	3	HA7	IEI
	3	HA6	
		HAEN	
	TS	HINTR2	
		/HRD	/DCD0
		/HWR	/CTS0
	3	/HDDIS	TXA0
	3	HA0	
	3	HA1	RXA0
	3	HA2	
	3	/HCS	HC1
	3	/HALT	
	3	HA3	/RFSH
	3	/IORQ	
	3	/MREQ	MRD
	3	/IOCS2	E
	3	/M1	
	3	/WR	
	3	/RD	
	3	PHI	
	3	XTAL	
		EXTAL	
	3	HA4	/WAIT
	T	HDRQ1	/BUSACK
	3	/HDACK1	/BUSREQ
R		/RESET	
R		/NMI	
	3	/INT0	
	3	/INT1	PC6
	3	/INT2	PC7



## PACKAGE INFORMATION

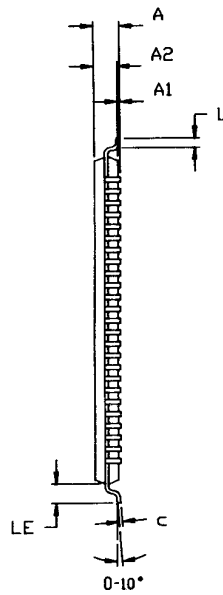
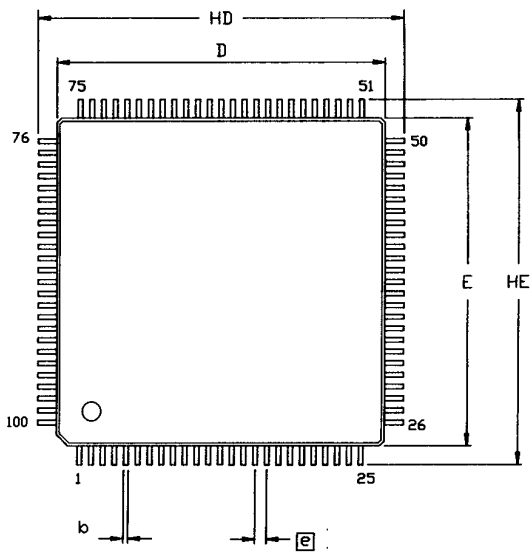


- NOTES:  
 1. CONTROLLING DIMENSIONS : MILLIMETER  
 2. MAX COPLANARITY :  $\frac{.10 \text{ mm}}{.004}$ "

SYMBOL	MILLIMETER		INCH	
	MIN	MAX	MIN	MAX
A1	0.10	0.30	.004	.012
A2	2.60	2.80	.102	.110
b	0.25	0.40	.010	.016
c	0.13	0.20	.005	.008
HD	23.80	24.40	.937	.961
D	19.90	20.10	.783	.791
HE	17.80	18.40	.701	.724
E	13.90	14.10	.547	.555
Ⓢ	0.65 TYP		.026 TYP	
L	0.70	1.20	.028	.047

100-Lead QFP Package Diagram

PACKAGE INFORMATION (Continued)



SYMBOL	MILLIMETER		INCH	
	MIN	MAX	MIN	MAX
A	1.35	1.60	.053	.063
A1	0.05	0.20	.002	.008
A2	1.30	1.50	.051	.059
b	0.15	0.26	.006	.010
c	0.10	0.20	.004	.008
HD	15.85	16.15	.624	.636
D	13.90	14.10	.547	.555
HE	15.85	16.15	.624	.636
E	13.90	14.10	.547	.555
e	0.50 TYP		.020 TYP	
L	0.35	0.65	.014	.026
LE	0.90	1.10	.035	.043

1. CONTROLLING DIMENSIONS : MM
2. MAX COPLANARITY :  $\frac{.10\text{mm}}{.004^\circ}$

100-VQFP Package Diagram

**ORDERING INFORMATION**

<b>Z80189</b>	<b>Z8L189</b>
33 MHz	20 MHz
Z8018933FSC	Z8L18920FSC
Z8018933ASC	Z8L18920ASC

Please check availability before placing order.

**Package**

F = Plastic Quad Flatpack  
A = VQFP (Very Small QFP)

**Temperature**

S=0°C to +70°C

**Speeds**

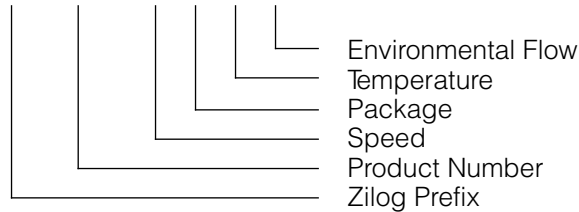
33 = 33 MHz  
20 = 20 MHz

**Environmental**

C= Plastic Standard

**Example:**

**Z 80189 33 F S C** is a Z80189, 33 MHz, QFP, 0°C to +70°C, Plastic Standard Flow



© 1997 by Zilog, Inc. All rights reserved. No part of this document may be copied or reproduced in any form or by any means without the prior written consent of Zilog, Inc. The information in this document is subject to change without notice. Devices sold by Zilog, Inc. are covered by warranty and patent indemnification provisions appearing in Zilog, Inc. Terms and Conditions of Sale only. Zilog, Inc. makes no warranty, express, statutory, implied or by description, regarding the information set forth herein or regarding the freedom of the described devices from intellectual property infringement. Zilog, Inc. makes no warranty of merchantability or fitness for any purpose. Zilog, Inc. shall not be responsible for any errors that may appear in this document. Zilog, Inc. makes no commitment to update or keep current the information contained in this document.

Zilog's products are not authorized for use as critical components in life support devices or systems unless a specific written agreement pertaining to such intended use is executed between the customer and Zilog prior to use. Life support devices or systems are those which are intended for surgical implantation into the body, or which sustains life whose failure to perform, when properly used in accordance with instructions for use provided in the labeling, can be reasonably expected to result in significant injury to the user.

Zilog, Inc. 210 East Hacienda Ave.  
Campbell, CA 95008-6600  
Telephone (408) 370-8000  
Telex 910-338-7621  
FAX 408 370-8056  
Internet: <http://www.zilog.com>