

SUPPLY VOLTAGE MONITOR

ISSUE 1 – APRIL 1996

DEVICE DESCRIPTION

The ZSM380 is a three terminal under voltage monitor circuit for use in microprocessor systems. The threshold voltage of the device has been set to 3.8 volts making it ideal for 5 volt circuits.

Included in the device is a precise voltage reference and a comparator with built in hysteresis to prevent erratic operation. The ZSM380 features an open collector output capable of sinking at least 10mA which only requires a single external resistor to interface to following circuits.

Operation of the device is guaranteed from one volt upwards, from this level to the device threshold voltage the output is held low providing a power on reset function. Should the supply voltage, once established, at any time drop below the threshold level then the output again will pull low.

The device is available in a TO92 package for through hole applications as well as SO8 and SOT223 for surface mount requirements.

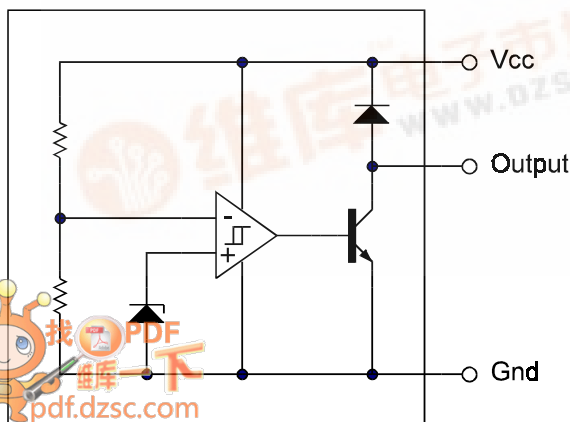
FEATURES

- SO8, SOT223 and TO92 packages
- Power on reset generator
- Automatic reset generation
- Low standby current
- Guaranteed operation from 1 volt
- Wide supply voltage range
- Internal clamp diode to discharge delay capacitor
- 3.8 volt threshold for 5 volt logic
- 20mV hysteresis prevents erratic operation

APPLICATIONS

- Microprocessor systems
- Computers
- Computer peripherals
- Instrumentation
- Automotive
- Battery powered equipment

SCHEMATIC DIAGRAM



ZSM380

ABSOLUTE MAXIMUM RATING

Input Supply Voltage	-1 to 10V	Power Dissipation	
Offstate Output Voltage	10V	TO92	780mW
Onstate Output		SOT223	2W(Note 2)
Sink Current(Note 1)	Internally limited	SO8	780mW(Note 2)
Clamp Diode			
Forward Current(Note 1)	100mA		
Operating Junction Temperature	150°C		
Operating Temperature	-40 to 85°C		
Storage Temperature	-55 to 150°C		

TEST CONDITIONS

($T_{amb}=25^{\circ}\text{C}$ for typical values, $T_{amb}=-40$ to 85°C for min/max values (Note3))

COMPARATOR

PARAMETER	SYMBOL	MIN	TYP.	MAX.	UNITS
Threshold Voltage High state output (V_{cc} increasing)	V_{IH}	3.7	3.81	3.9	V
Threshold Voltage Low state output (V_{cc} decreasing)	V_{IL}	3.7	3.79	3.9	V
Hysteresis	V_H	0.01	0.02	0.05	V

OUTPUT

Output sink saturation: ($V_{cc}=3.3\text{V}$, $I_{sink}=8.0\text{mA}$) ($V_{cc}=3.3\text{V}$, $I_{sink}=2.0\text{mA}$) ($V_{cc}=1.0\text{V}$, $I_{sink}=0.1\text{mA}$)	V_{OL}		0.46 0.15	1.0 0.4 0.25	V V V
Onstate output sink current (V_{cc} , Output=3.3V)	I_{sink}	10	27	60	mA
Offstate output leakage current (V_{cc} , Output=5V)	I_{oh}		0.02	0.5	μA
Clamp diode forward voltage ($I_f=10\text{mA}$)	V_f	0.6	1.2	1.5	V
Propagation delay (V_{in} 5V to 3.3V, $R_I=10\text{k}$, $T_{amb}=25^{\circ}\text{C}$)	T_d		3		μs

TOTAL DEVICE

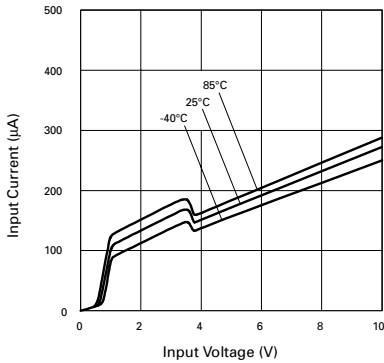
Operating input voltage range	V_{cc}	1.0 to 6.5			V
Quiescent input current ($V_{cc}=5\text{V}$)	I_q		140	200	μA

Note:

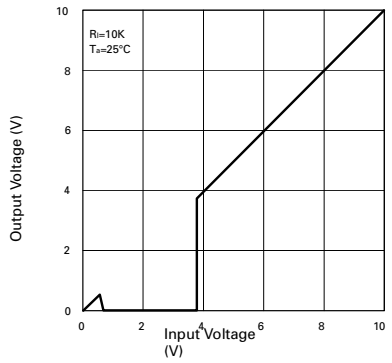
1. Maximum package power dissipation must be observed.
2. Maximum power dissipation, for the SOT223 and SO8 packages, is calculated assuming that the device is mounted on a PCB measuring 2 inches square.
3. Low duty cycle pulse techniques are used during test to maintain junction temperatures as

ZSM380

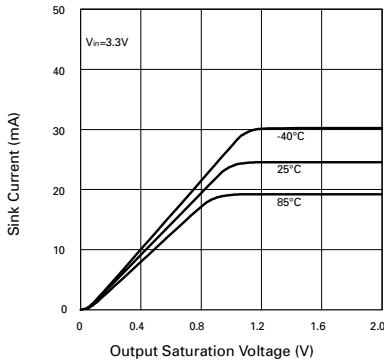
TYPICAL CHARACTERISTICS



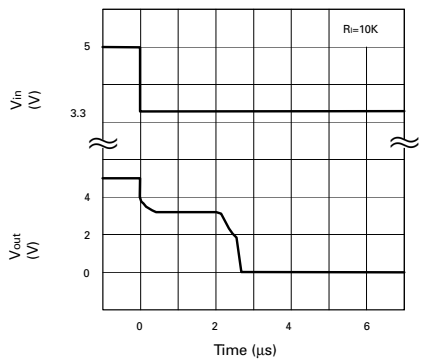
Input Current vs. Input Voltage



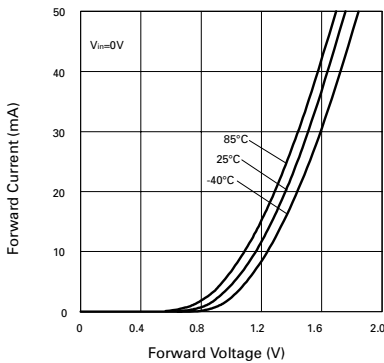
Output Voltage vs. Input Voltage



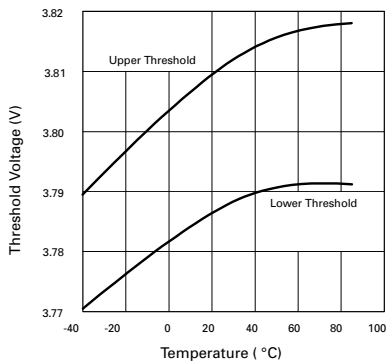
Output I(sink) vs. Output V(sat)



Reset Delay Time



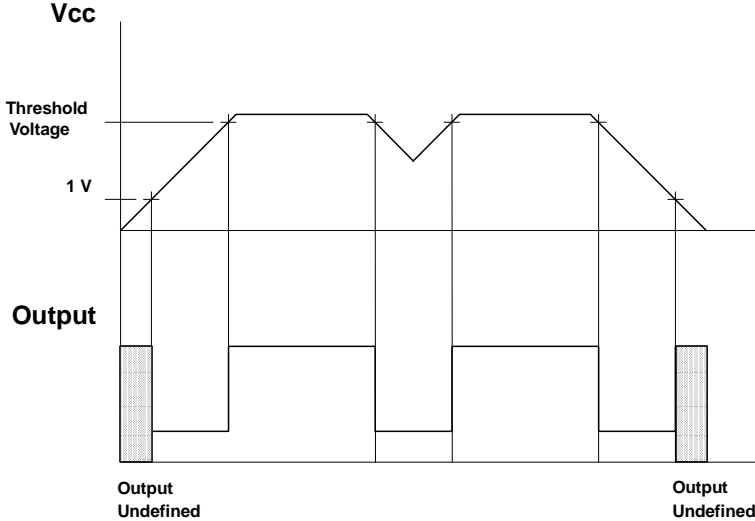
Clamp Diode I(forward) vs. Voltage



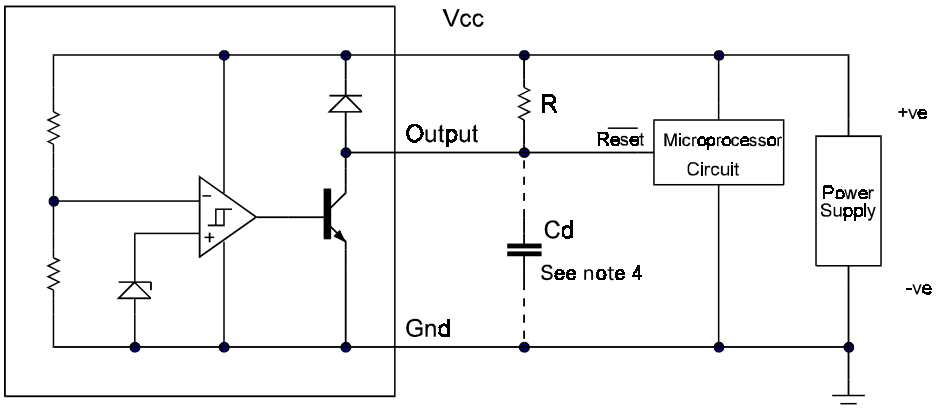
Threshold Voltage vs. Temperature

ZSM380

TIMING DIAGRAM



APPLICATION CIRCUIT



Note 4: A time delayed reset can be accomplished with the additional C_d .

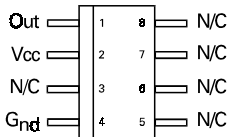
$$T_{DY} = RCd \ln \left(\frac{1}{1 - \frac{V_{TH}(mpu)}{V_{in}}} \right)$$

T_{DY} =Time (Seconds)
 V_{TH} =Microprocessor Reset Threshold
 V_{in} =Power Supply Voltage

ZSM380

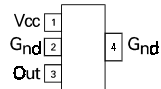
CONNECTION DIAGRAMS

SO8 Package Suffix – N8



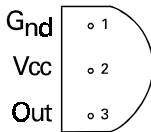
Top View

SOT223 Package Suffix – G



*Top View –
Pin 4 floating or connected to pin 2*

TO92 Package Suffix – C



Bottom View

ORDERING INFORMATION

Part Number	Package	Part Mark
ZSM380N8	SO8	ZSM380
ZSM380G	SOT223	ZSM380
ZSM380C	TO92	ZSM380