

The ZTA Series ceramic resonator offers wide frequency range and extended temperature range capabilities.

FEATURES

- Low profile
- Wide frequency range
- Extended temperature range
- High stability
- Radial taping available

OPERATING CONDITIONS/ELECTRICAL CHARACTERISTICS

PART NUMBER *	FREQUENCY RANGE (MHz)	FREQUENCY ACCURACY @ 25° (%)	STABILITY IN TEMPERATURE -20° ~ 80°C (%)	AGING FOR TEN YEARS (%)	RESONANT RESISTANCE (Ω) MAX.	WITHSTANDING VOLTAGE (5 SEC. MAX.)	INSULATION RESISTANCE (Ω)
ZTA□.□□MG	2.00 ~ 2.99	±0.5	±0.3	±0.3	80	100 V DC	5X10 ⁸ Min. @ 10 V DC
ZTA□.□□MG	3.00 ~ 3.49	±0.5	±0.3	±0.3	50	100 V DC	5X10 ⁸ Min. @ 10 V DC
ZTA□.□□MG	3.50 ~ 4.99	±0.5	±0.3	±0.3	30	100 V DC	5X10 ⁸ Min. @ 10 V DC
ZTA□.□□MT	5.00 ~ 6.99	±0.5	±0.3	±0.3	30	100 V DC	5X10 ⁸ Min. @ 10 V DC
ZTA□.□□MT	7.00 ~ 13.00	±0.5	±0.3	±0.3	25	100 V DC	5X10 ⁸ Min. @ 10 V DC
ZTA□.□□MX	13.01 ~ 50.00	±0.5	±0.3	±0.3	55	100 V DC	5X10 ⁸ Min. @ 10 V DC

* Complete part number to include frequency i.e. ZTA-4.00MG (4.00 = 4.00 MHz)

PACKAGE DIMENSIONS (mm)

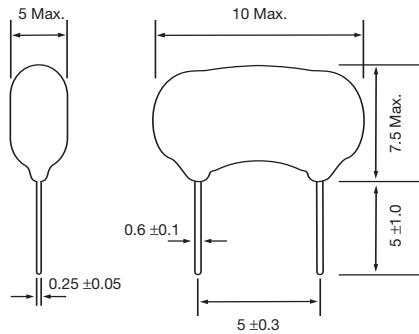


Figure 1) ZTA □.□□ MG, Front and Side views

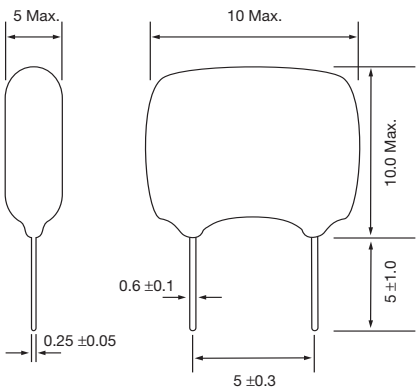


Figure 3) ZTA □.□□ MT, MX Front and Side views

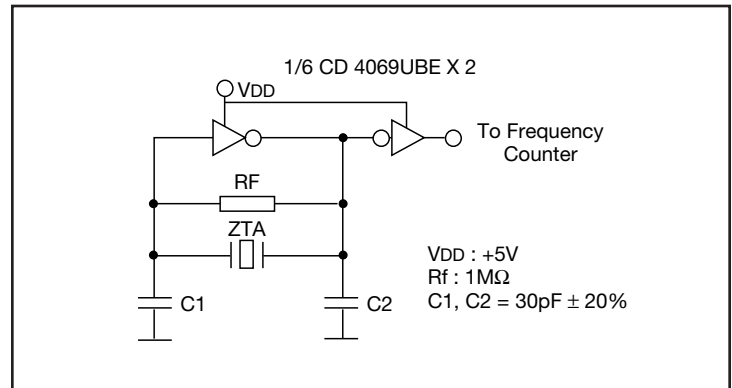


Figure 2) ZTA □.□□ MG Test Circuit

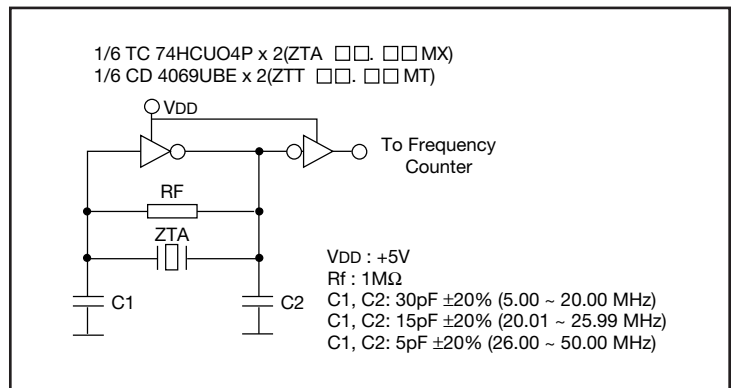


Figure 4) ZTA □.□□ MT & ZTA □.□□ MX Test Circuit