

Coaxial

Power Splitters/Combiners

NEW!

ZX10-4-SERIES

4 Way-0° 50Ω 800 to 2700 MHz

Maximum Ratings

Operating Temperature	-40°C to 85°C
Storage Temperature	-55°C to 100°C
Power Input (as a splitter)	2.5W max.
Power Input (as a combiner)	0.125W max.*

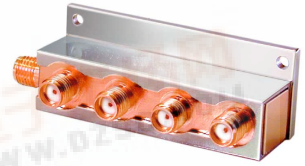
*maximum VSWR at output 1.2:1

Features

- low insertion loss, 0.6 dB typ.
- high isolation, 20 dB typ.
- rigid unibody construction
- gold plated connectors;
- nickel plated body
- low cost
- small size
- patent pending

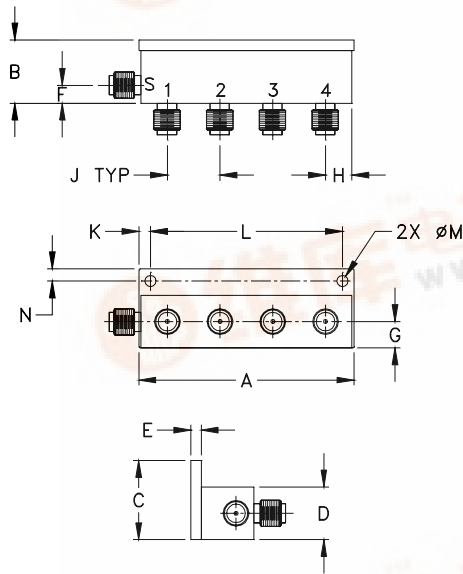
Applications

- antenna arrays
- signal distribution
- test bench



CASE STYLE: GR1026
PRICE: \$38.95 ea. QTY (1-24)

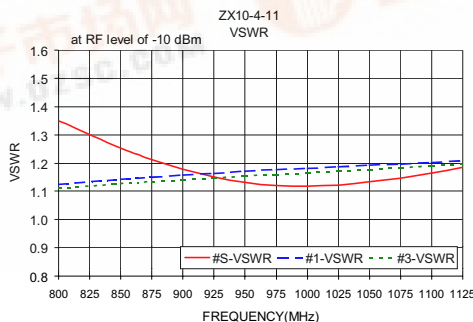
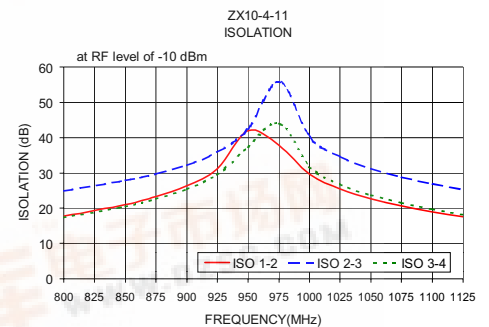
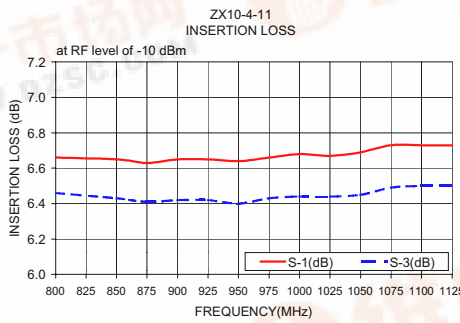
Outline Drawing



Splitter Electrical Specifications (T_{AMB} = 25°C)

MODEL NO.	FREQ. RANGE (MHz) f _L -f _U	ISOLATION (dB)		INSERTION LOSS (dB) above 6.0 dB		PHASE UNBALANCE (Degrees) Max.	AMPLITUDE UNBALANCE (dB) Max.	INPUT VSWR (:1) Typ.	OUTPUT VSWR (:1) Typ.
		Typ.	Min.	Typ.	Max.				
ZX10-4-11	800-1125 875-1050	20	15	0.6	1.3	3	0.7	1.2	1.2
ZX10-4-14	1100-1450	20	15	0.8	1.3	7	0.8	1.3	1.3
ZX10-4-19	1425-1900 1450-1775	20	16	0.75	1.0	6	0.9	1.2	1.2
ZX10-4-24	1675-2350 1775-2200	20	17	0.9	1.1	5	0.7	1.18	1.3
ZX10-4-27	2225-2700 2400-2600	20	16	1.0	1.5	9	1.2	1.4	1.25

Performance Charts



Outline Dimensions (inch/mm)

A	B	C	D	E	F	G	H
2.04	.60	.75	.50	.10	.17	.25	.25
51.82	15.24	19.05	12.70	2.54	4.32	6.35	6.35
J	K	L	M	N	wt.		
.50	.11	1.820	.106	.12	grams		
12.70	2.79	46.23	2.69	3.05	60.0		



ZX10-4-SERIES

