

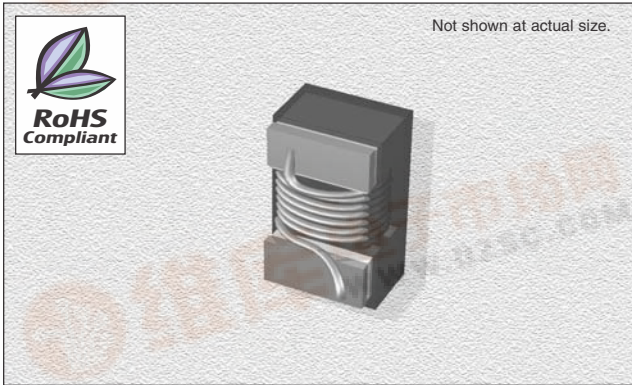
查询"CT0805FSF-182"供应商

## CT0805FSF Series

From .12  $\mu\text{H}$  to 8.2  $\mu\text{H}$

### SPECIFICATIONS

Please specify tolerance code when ordering.  
CT0805FSF-151\_ ← J =  $\pm 5\%$ , K =  $\pm 10\%$



Part Number	Inductance ( $\mu\text{H}$ )	L Test Freq. (MHz)	Q Fact. Min.	Q Test Freq. (MHz)	SRF Min. (MHz)	DCR Max. ( $\Omega$ )	Rated DC (mA)
CT0805FSF-121_	0.12	25.2	20	25.2	700	0.18	1100
CT0805FSF-151_	0.15	25.2	20	25.2	900	0.18	1100
CT0805FSF-181_	0.18	25.2	20	25.2	600	0.20	800
CT0805FSF-221_	0.22	25.2	20	25.2	550	0.25	700
CT0805FSF-271_	0.27	25.2	20	25.2	550	0.30	700
CT0805FSF-331_	0.33	25.2	20	25.2	550	0.35	650
CT0805FSF-391_	0.39	25.2	20	25.2	420	0.35	600
CT0805FSF-471_	0.47	25.2	20	25.2	350	0.45	600
CT0805FSF-561_	0.56	25.2	20	25.2	300	0.45	550
CT0805FSF-681_	0.68	25.2	20	25.2	300	0.60	500
CT0805FSF-821_	0.82	25.2	20	25.2	300	0.55	500
CT0805FSF-102_	1.00	7.96	15	7.96	280	0.80	450
CT0805FSF-122_	1.20	7.96	15	7.96	280	0.90	400
CT0805FSF-152_	1.50	7.96	15	7.96	250	1.05	350
CT0805FSF-182_	1.80	7.96	15	7.96	120	0.90	350
CT0805FSF-222_	2.20	7.96	15	7.96	110	1.10	320
CT0805FSF-272_	2.70	7.96	15	7.96	70	1.20	320
CT0805FSF-332_	3.30	7.96	15	7.96	60	1.50	300
CT0805FSF-392_	3.90	7.96	15	7.96	55	1.60	300
CT0805FSF-472_	4.70	7.96	15	7.96	45	2.10	200
CT0805FSF-562_	5.60	7.96	15	7.96	40	2.30	250
CT0805FSF-682_	6.80	7.96	15	7.96	36	2.70	200
CT0805FSF-822_	8.20	7.96	15	7.96	33	3.30	180

### CHARACTERISTICS

**Description:** SMD ferrite core wire-wound chip inductor

**Applications:** LC resonant circuits such as oscillator and signal generators, impedance matching, circuit isolation, RF filters, disk drives and computer peripherals, audio and video equipment, TV, radio and telecommunication equipment

**Operating Temperature:**  $-40^{\circ}\text{C}$  to  $+85^{\circ}\text{C}$

**Inductance Tolerance:**  $\pm 5\%$ ,  $\pm 10\%$

**Testing:** Inductance and Q tested on an HP4287A at specified frequency.

**Packaging:** Tape & Reel

**Marking:** Reel label indicates inductance code and tolerance

**Miscellaneous:** RoHS Compliant.

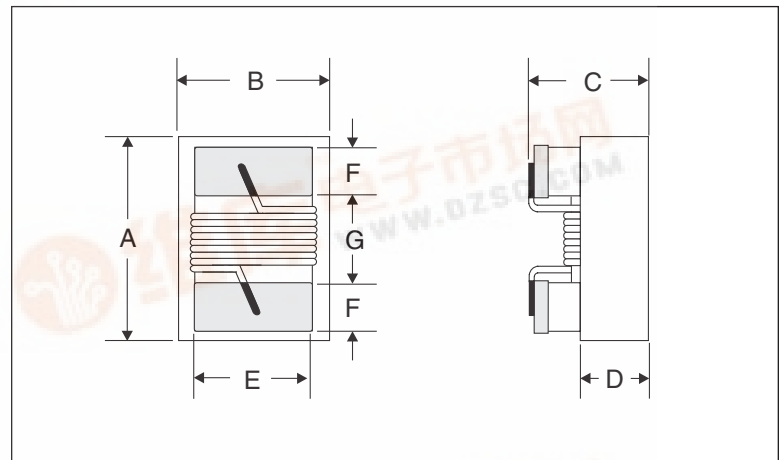
**Miscellaneous:** Additional values available

**Additional Information:** Additional electrical & physical information available upon request

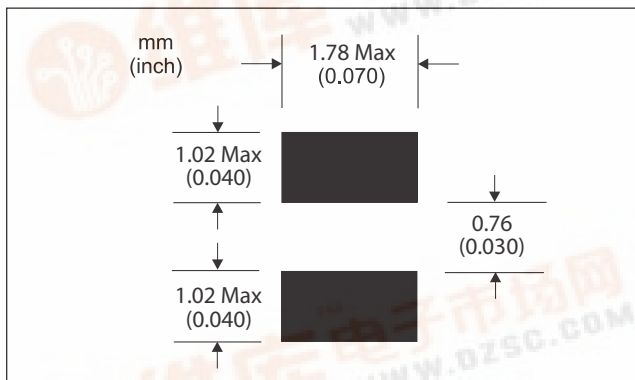
**Samples available. See website for ordering information.**

### PHYSICAL DIMENSIONS

Size	A Max.	B Max.	C Max.	D Ref.	E Max.	F	G
mm	2.29	1.73	1.45	0.51	1.27	0.51	1.27
inches	0.090	0.068	0.057	0.020	0.050	0.020	0.050



### PAD LAYOUT



11.17.06

Manufacturer of Passive and Discrete Semiconductor Components

800-684-5322 Inside US 949-453-1811 Outside US

Copyright © 2006 by CT Magnetics, DBA Central Technologies. All rights reserved.

CT Magnetics reserves the right to make improvements or change specifications without notice

