

# Series SST

SOFT-START Modules • 10-90 Amp • AC Output



Control over power

## • 120 & 240 Vac Models

Models SST120 and SST240 auxiliary function modules gradually apply power to the load when energized by the control voltage. They must be used with Crydom Series 1 (-10) random turn-on solid state relays. Consult fac-

tory about use with 480 Vac loads. For a complete set (control module and solid state relay) order 10SST120, 25SST120, etc.

Manufactured in Crydom's ISO 9002 Certified facility for optimum product performance and reliability.

MODEL NUMBERS	120 Vac	10SST120	25SST120	40SST120		
	240 Vac	10SST240	25SST240	50SST240	75SST240	90SST240
<b>RELAY OUTPUT SPECIFICATIONS ①</b>						
Operating Voltage Range (47-63 Hz) [Vrms]	90-140 (120 Vac Models) 180-280 (240 Vac Models)					
Load Current Range ③ [Arms]	.04-10	.04-25	.04-50	.04-75	.04-90	
Transient Overvoltage [Vpk]	400 (120 Vac models) 600 (240 Vac models)					
Max. Surge Current, (16.6ms) [Apk]	120	250	625	1000	1200	
Max. On-State Voltage Drop @Rated Current [Vpk]	1.6	1.6	1.6	1.6	1.6	
Thermal Resistance Junction to Case (R <sub>θJC</sub> ) [°C/W]	1.48	1.02	.63	.31	.28	
Maximum I <sup>2</sup> t for Fusing, (8.3 msec.) [A <sup>2</sup> sec]	60	260	1620	4150	6000	
Max. Off-State Leakage Current @Rated Voltage [mArms]	10.0	10.0	10.0	10.0	10.0	
Min. Off-State dv/dt @Max. Rated Voltage [V/μsec]②	500	500	500	500	500	
Max. Turn-Off Time	1/2 cycle	1/2 cycle	1/2 cycle	1/2 cycle	1/2 cycle	
Power Factor (Min.) with Max. Load	0.5	0.5	0.5	0.5	0.5	

## CONTROL MODULE INPUT SPECIFICATIONS (Terminal 3B) ①

## DC CONTROL

Control Voltage Range	3.5-10Vdc
Max. Turn-On Voltage	3.5 Vdc
Min. Turn-Off Voltage	1.0 Vdc
Typical Input Current	1.6mA @5Vdc
Nominal Turn-On Delay Time @60Hz	150 msec
Nominal Swell (Ramp) Time @60Hz	180 msec
Max. Reset Time	100 μsec

## CONTROL MODULE OUTPUT SPECIFICATIONS (Terminal 4B-Input to relay)①

## DC CONTROL

Max. Off-State Operating Voltage	36 Vdc
Max. Load Current (Sink)	3.0 mAdc
Max. On-State Voltage @3mA	0.5 Vdc
Max. Off-State Leakage @10Vdc	1.0 μAdc

## GENERAL NOTES

©1998 CRYDOM CORP, Specifications subject to change without notice.

- ① All parameters at 25°C unless otherwise specified.
- ② Off-State dv/dt test method per EIA/NARM standard RS443, paragraph 13.11.1
- ③ Heat sinking required (Relay Only), see Series 1 data sheet.

For recommended applications and more information contact:  
 USA: (800) 8 CRYDOM • (800) 827-9366 • (619) 715-7200 • fax (619) 715-7280  
 Crydom Corp, 9525 Chesapeake Drive, San Diego, CA 92123 • e-mail: sales@crydom.com  
 web site: http://www.crydom.com FastFax Product Information: (888) 267-9191  
 UK: (44)1202 812300 • fax (44)1202 812340 Crydom International Ltd., 85, Condor Close,  
 Woolsbridge Industrial Estate, Three-Legged Cross, Wimborne, Dorset, England BH21 6SU  
 GERMANY: (49) (0)6874 182580 • fax (49)(0)6874 182585 Crydom GmbH,  
 Gewerbegebiet Im Schachen, D-66687 Nunkirchen, Germany • e-mail: vertrieb@crydom.com



# Series SST

SOFT-START Modules • 10-90 Amp • AC Output



## GENERAL SPECIFICATIONS

Dielectric Strength, Signal to Load	4000 Vrms
Dielectric Strength, Signal to Base	4000 Vrms
Ambient Operating Temperature Range	-30 to 80°C
Ambient Storage Temperature Range	-40 to 125°C

## MECHANICAL SPECIFICATIONS

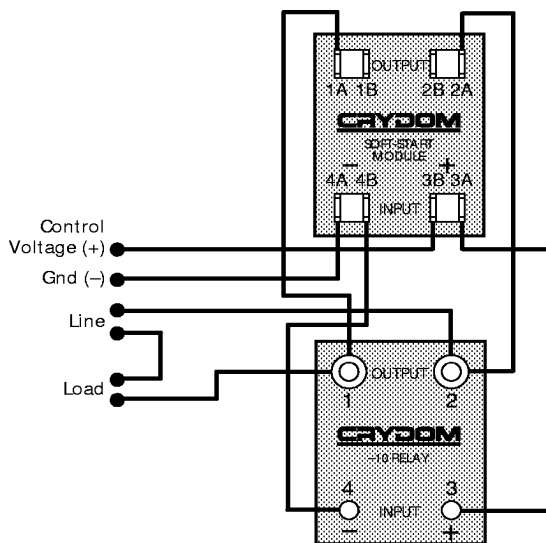
Weight: (typical)	3.0 oz. (43g)
Encapsulation:	Thermally Conductive Epoxy

## AVAILABLE OPTIONS

- SST120 Control Module Only (120 Vac line)
- SST240 Control Module Only (240 Vac line)

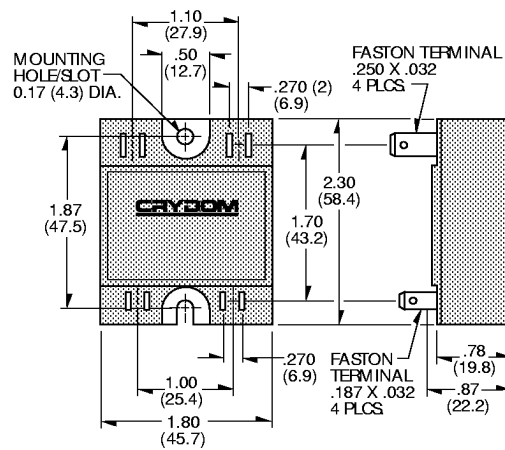
DERATING CURVES – See Series 1

## WIRING DIAGRAM



## Notes

- Following pins may be interchanged: 1A & 1B, 2A & 2B, 3A & 3B.
- Pin 4A & 4B may not be interchanged.
- The line and load may be interchanged.



All dimensions are in inches (millimeters)

©1998 CRYDOM CORP, Specifications subject to change without notice.

## APPROVALS

UL E116949

For recommended applications and more information contact:

USA: (800) 8 CRYDOM • (800) 827-9366 • (619) 715-7200 • fax (619) 715-7280  
 Crydom Corp, 9525 Chesapeake Drive, San Diego, CA 92123 • e-mail: sales@crydom.com  
 web site: <http://www.crydom.com> FastFax Product Information: (888) 267-9191  
 UK: (44)1202 812300 • fax (44)1202 812340 Crydom International Ltd., 85, Condor Close,  
 Woolbridge Industrial Estate, Three-Legged Cross, Wimborne, Dorset, England BH21 6SU  
 GERMANY: (49) (0)6874 182580 • fax (49)(0)6874 182585 Crydom GmbH,  
 Gewerbegebiet Im Schachen, D-66687 Nunkirchen, Germany • e-mail: vertrieb@crydom.com

