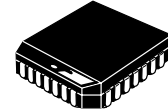


[查询"MC100H680FNR2"供应商](#)

# 4-Bit Differential ECL Bus/TTL Bus Transceiver

**MC10H680**  
**MC100H680**



**FN SUFFIX**  
PLASTIC PACKAGE  
CASE 776-02

The MC10H/100H680 is a dual supply 4-bit differential ECL bus to TTL bus transceiver. It is designed to allow the system designer to no longer be limited in bus speed associated with standard TTL busses. Using a differential ECL Bus will increase the frequency of operation and increase noise immunity.

Both the TTL and the ECL ports are capable of driving a bus. The ECL outputs have the ability to drive 25 Ω, allowing both ends of the bus line to be terminated in the characteristic impedance of 50 Ω. The TTL outputs are specified to source 15 mA and sink 48 mA, allowing the ability to drive highly capacitive loads.

The ECL output levels are  $V_{OH}$  approximately equal to  $-1.0$  V and  $V_{OL}$  cutoff equal to  $-2.0$  V ( $V_{TT}$ ). When the ECL ports are disabled both  $EIOx$  and  $EIOxB$  go to the  $V_{OL}$  cutoff level. The ECL input receivers have special circuitry which detects this disabled condition, prevents oscillation, and forces the TTL output to the low state. The noise margin in this disabled state is greater than 600 mV. Multiple ECL  $V_{CCO}$  pins are utilized to minimize switching noise.

The TTL ports have standard levels. The TTL input receivers have PNP input devices to significantly reduce loading. Multiple TTL power and ground pins are utilized to minimize switching noise.

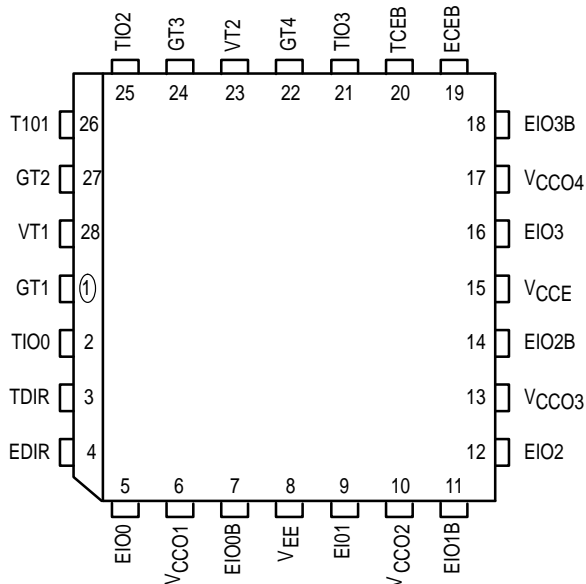
The control pins (EDIR and ECEB) of the 10H version is compatible with MECL 10H ECL logic levels. The control pins of the 100H version are compatible with 100K levels.

- Differential ECL Bus (25 Ω) I/O Ports
- High Drive TTL Bus I/O Ports
- Extra TTL and ECL Power/Ground Pins to Minimize Switching Noise
- Dual Supply
- Direction and Chip Enable Control Pins

## PIN DESCRIPTIONS

Pin	Symbol	Function
1	GT1	TTL Ground 1
2	TIO0	TTL I/O Bit 0
3	TDIR	TTL Direction Control
4	EDIR	ECL Direction Control
5	EIO0	ECL I/O Bit 0
6	VCCO1	ECL VCC 1 (0V) – Outputs
7	EIO0B	ECL I/O Bit 0 Bar
8	VEE	ECL Supply ( $-5.2/-4.5$ V)
9	EIO1	ECL I/O Bit 1
10	VCCO2	ECL VCC 2 (0V) – Outputs
11	EIO1B	ECL I/O Bit 1 Bar
12	EIO2	ECL I/O Bit 2
13	VCCO3	ECL VCC 3 (0V) – Outputs
14	EIO2B	ECL I/O Bit 2 Bar
15	VCCE	ECL VCC (0V)
16	EIO3	ECL I/O Bit 3
17	VCCO4	ECL VCC 4 (0V) – Outputs
18	EIO3B	ECL I/O Bit 3 Bar
19	ECEB	ECL Chip Enable Bar Control
20	TCEB	TTL Chip Enable Bar Control
21	TIO3	TTL I/O Bit 3
22	GT4	TTL Ground 4
23	VT2	TTL Supply 2 (5V)
24	GT3	TTL Ground 3
25	TIO2	TTL I/O Bit 2
26	TIO1	TTL I/O Bit 1
27	GT2	TTL Ground 2
28	VT1	TTL Supply 1 (5V)

Pinout: 28-Lead PLCC (Top View)



[查询"MC100H680FNR2"供应商](#)

## TRUTH TABLE

TDIR — Direction Control TTL Levels  
 EDIR — Direction Control ECL Levels  
 TCEB — Chip Enable Bar Control TTL Levels  
 ECEB — Chip Enable Bar Control ECL Levels  
 TIN — TTL Input  
 TOUT — TTL Output  
 EIN — ECL Input  
 EINB — ECL Input Bar  
 EOUT — ECL Output  
 EOUTB — ECL Output Bar

H — HIGH  
 L — LOW  
 LC — ECL Low Cutoff ( $V_{TT} = -2.0\text{ V}$ )  
 X — Don't Care  
 Z — High Impedance

ECEB	TCEB	EDIR	TDIR	EIN	EINB	EOUT	EOUTB	TIN	TOUT	COMMENTS
H	X	X	X	X	X	LC	LC	X	Z	ECL and TTL Outputs Disabled
X	H	X	X	X	X	LC	LC	X	Z	ECL and TTL Outputs Disabled
L	L	H	X	H	LC			NA	H	ECL to TTL Direction
L	L	H	X	LC	H			NA	L	ECL to TTL Direction
L	L	H	X	LC	LC			NA	L	ECL to TTL Direction (L–L Cond.)
L	L	X	H	H	LC			NA	H	ECL to TTL Direction
L	L	X	H	LC	H			NA	L	ECL to TTL Direction
L	L	X	H	LC	LC			NA	L	ECL to TTL Direction (L–L Cond.)
L	L	L	L	NA	NA	H	LC	H		TTL to ECL Direction
L	L	L	L	NA	NA	LC	H	L		TTL to ECL Direction

## ABSOLUTE RATINGS (Do not exceed):

Power Supply Voltage	$V_{EE}$ (ECL)	–8.0 to 0	Vdc
Power Supply Voltage	$V_{CCT}$ (TTL)	–0.5 to +7.0	Vdc
Input Voltage	$V_I$ (ECL) $V_I$ (TTL)	0.0 to $V_{EE}$ –0.5 to +7.0	Vdc
Disabled 3–State Output	$V_{out}$ (TTL)	0.0 to $V_{CCT}$	Vdc
Output Source Current Continuous	$I_{out}$ (ECL)	100	mAdc
Output Source Current Surge	$I_{out}$ (ECL)	200	mAdc
Storage Temperature	$T_{stg}$	–65 to 150	°C
Operating Temperature	$T_{amb}$	0.0 to +75	°C

MC10H680 MC100H680

[查询"MC100H680FNR2"供应商](#)

**ECL DC CHARACTERISTICS:**  $V_{CCT} = +5.0 V \pm 10\%$ ,  $V_{EE} = -5.2 \pm 5\%$  (10H Version);  $V_{EE} = -4.2 V$  to  $-5.5 V$  (100H Version)

Test Symbol	Parameter	$T_A = 0^\circ C$		$T_A = 25^\circ C$		$T_A = 75^\circ C$		Unit	Condition
		Min	Max	Min	Max	Min	Max		
I <sub>EE</sub>	Supply Current/ECL		-110		-110		-110	mA	
I <sub>INH</sub>	Input HIGH Current		225		145		145	μA	
I <sub>INL</sub>	Input LOW Current	0.5		0.5		0.3		μA	
V <sub>OH</sub> V <sub>OL</sub>	Output HIGH Voltage Output LOW Voltage	-1100 -2.1	-840 -2.03	-1100 -2.1	-810 -2.03	-1100 -2.1	-735 -2.03	mV V	25 Ω to -2.1 V

**CONTROL INPUTS ONLY**

**10H ECL DC CHARACTERISTICS:**  $V_{CCT} = +5.0 \pm 10\%$ ,  $V_{EE} = -5.2 \pm 5\%$

Test Symbol	Parameter	$T_A = 0^\circ C$		$T_A = 25^\circ C$		$T_A = 75^\circ C$		Unit	Condition
		Min	Max	Min	Max	Min	Max		
V <sub>IH</sub> V <sub>IL</sub>	Input HIGH Voltage Input LOW Voltage	-1170 -1950	-840 -1480	-1130 -1950	-810 -1480	-1070 -1950	-735 -1450	mV	

**CONTROL INPUTS ONLY**

**100H ECL DC CHARACTERISTICS:**  $V_{CCT} = +5.0 \pm 10\%$ ,  $V_{EE} = -4.2 V$  to  $-5.5 V$

Test Symbol	Parameter	$T_A = 0^\circ C$		$T_A = 25^\circ C$		$T_A = 75^\circ C$		Unit	Condition
		Min	Max	Min	Max	Min	Max		
V <sub>IH</sub> V <sub>IL</sub>	Input HIGH Voltage Input LOW Voltage	-1165 -1810	-880 -1475	-1165 -1810	-880 -1475	-1165 -1810	-880 -1475	mV	

**TTL DC CHARACTERISTICS:**  $V_{CCT} = +5.0 V \pm 10\%$ ,  $V_{EE} = -5.2 \pm 5\%$  (10H Version);  $V_{EE} = -4.2 V$  to  $-5.5 V$  (100H Version)

Test Symbol	Parameter	$T_A = 0^\circ C$		$T_A = 25^\circ C$		$T_A = 75^\circ C$		Unit	Condition
		Min	Max	Min	Max	Min	Max		
V <sub>IH</sub> V <sub>IL</sub>	Standard Input Standard Input	2.0	0.8	2.0	0.8	2.0	0.8	V <sub>d</sub>	
V <sub>IK</sub>	Input Clamp		-1.2		-1.2		-1.2	V <sub>d</sub>	I <sub>IN</sub> = -18 mA
V <sub>OH</sub>	Output HIGH Voltage Output HIGH Voltage	2.5 2.0		2.5 2.0		2.5 2.0		V	I <sub>OH</sub> = -3.0 mA I <sub>OH</sub> = -15 mA
V <sub>OL</sub>	Output LOW Voltage		0.55		0.55		0.55	V	I <sub>OL</sub> = 48 mA
I <sub>IH</sub> <sup>*</sup>	TTL (Input HIGH) TTL (Input HIGH)		20 100		20 100		20 100	μA	V <sub>in</sub> = 2.7 V V <sub>in</sub> = 7.0 V
I <sub>IL</sub> <sup>*</sup>	TTL (Input LOW)		-0.6		-0.6		-0.6	mA	V <sub>in</sub> = 0.5 V
I <sub>CCL</sub>	Supply Current		75		75		75	mA	
I <sub>CCH</sub>	Supply Current		70		70		70	mA	
I <sub>CCZ</sub>	Supply Current		70		70		70	mA	
I <sub>OS</sub>	Output Short Circuit Current	-100	-225	-100	-225	-100	-225	mA	V <sub>OUT</sub> = 0 V

\* NOTE: TTL Control Inputs only

**TTL I/O DC CHARACTERISTICS ONLY**

Test Symbol	Parameter	$T_A = 0^\circ C$		$T_A = 25^\circ C$		$T_A = 75^\circ C$		Unit	Condition
		Min	Max	Min	Max	Min	Max		
I <sub>IH</sub> /I <sub>OZH</sub> I <sub>IL</sub> /I <sub>OZL</sub>	Output Disable Current		70 200		70 200		70 200	μA	V <sub>OUT</sub> = 2.7 V V <sub>OUT</sub> = 0.5 V

[查询"MC100H680FNR2"供应商](#)**ECL TO TTL DIRECTION / AC TEST**

Test Symbol	Parameter	Waveforms	T <sub>A</sub> = 0°C		T <sub>A</sub> = 25°C		T <sub>A</sub> = 75°C		Unit	Condition
			Min	Max	Min	Max	Min	Max		
t <sub>PLH</sub> t <sub>PHL</sub>	Propagation Delay to Output	2, 4	2.7	4.8	2.7	4.8	2.7	4.8	ns	C <sub>L</sub> = 50 pF
t <sub>PZH</sub> t <sub>PZL</sub>	ECEB to Output Enable Time	2, 5, 6	3.5 3.5	6.5 6.0	3.5 3.5	6.5 6.0	3.7 3.7	6.7 6.4	ns	C <sub>L</sub> = 50 pF
t <sub>PHZ</sub> t <sub>PLZ</sub>	ECEB to Output Disable Time	2, 5, 6	3.5 3.5	8.6 6.5	3.5 3.5	8.6 6.5	3.7 3.7	8.8 7.3	ns	C <sub>L</sub> = 50 pF
t <sub>PZH</sub> t <sub>PZL</sub>	TCEB to Output Enable Time	2, 5, 6	5.7 5.4	7.7 6.9	5.7 5.4	7.7 6.9	5.9 5.9	7.9 7.4	ns	C <sub>L</sub> = 50 pF
t <sub>PHZ</sub> t <sub>PLZ</sub>	TCEB to Output Disable Time	2, 5, 6	4.0 4.0	8.5 5.8	4.1 4.2	8.4 6.0	4.2 4.7	8.3 6.5	ns	C <sub>L</sub> = 50 pF
t <sub>r</sub> /t <sub>f</sub>	1.0 to 2.0 Vdc	3	0.4	1.5	0.4	1.5	0.4	1.5	ns	C <sub>L</sub> = 50 pF

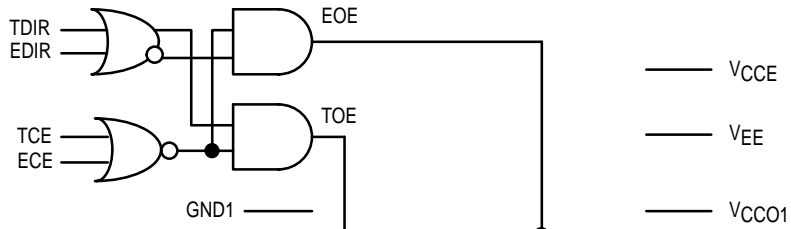
**TTL TO ECL DIRECTION / AC TEST**

Test Symbol	Parameter	Waveforms	T <sub>A</sub> = 0°C		T <sub>A</sub> = 25°C		T <sub>A</sub> = 75°C		Unit	Condition
			Min	Max	Min	Max	Min	Max		
t <sub>PLH</sub> t <sub>PHL</sub>	Propagation Delay to Output	1, 4	1.8	4.6	1.8	4.6	2.0	4.9	ns	25 Ω to -2.0 V
t <sub>PLH</sub> t <sub>PHL</sub>	ECEB to Output	1, 4	2.9	5.1	3.0	5.2	3.4	5.7	ns	25 Ω to -2.0 V
t <sub>PLH</sub> t <sub>PHL</sub>	TCEB to Output	1, 4	3.4	6.3	3.5	6.6	3.8	7.4	ns	25 Ω to -2.0 V
t <sub>r</sub> /t <sub>f</sub>	Output Rise/Fall Time 20%–80%	1, 3	1.0	3.4	1.0	3.4	1.0	3.4	ns	25 Ω to -2.0 V

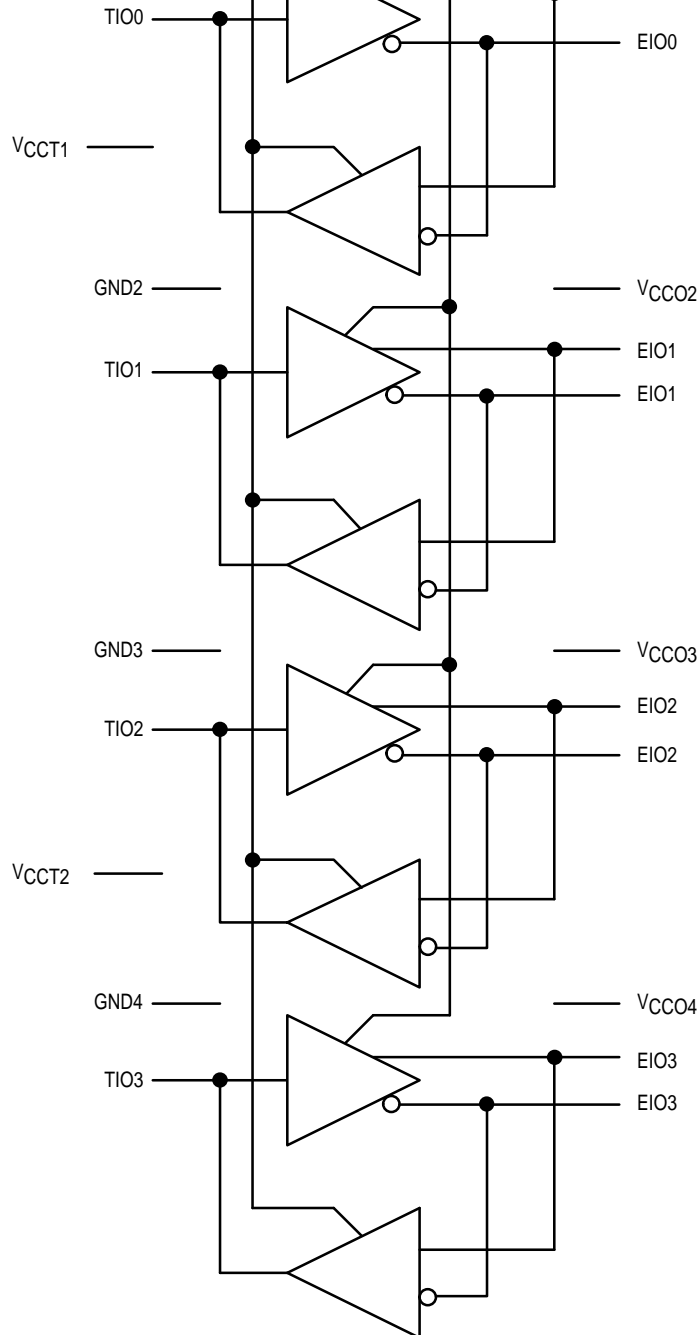
[查询"MC100H680FNR2"供应商](#)

**BLOCK DIAGRAM**

**CONTROL INPUTS**



**TTL I/O**



**ECL I/O**

[查询"MC100H680FNR2"供应商](#)

SWITCHING CIRCUIT AND WAVEFORMS

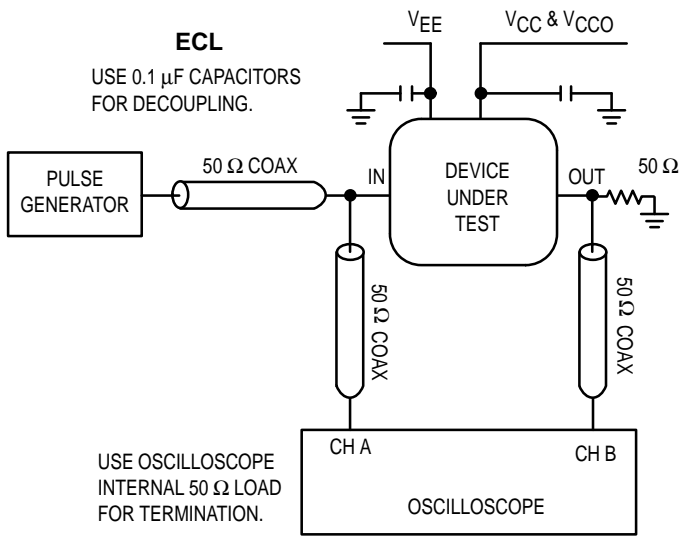


Figure 1. Switching Circuit ECL

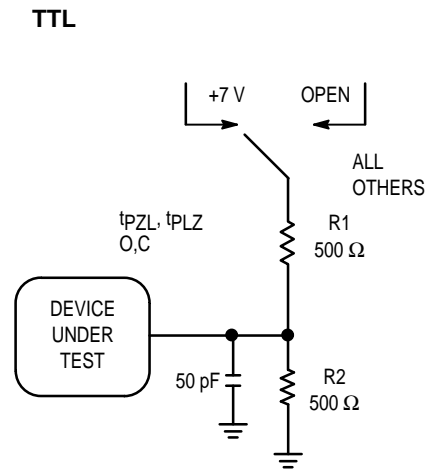


Figure 2.

ECL/TTL

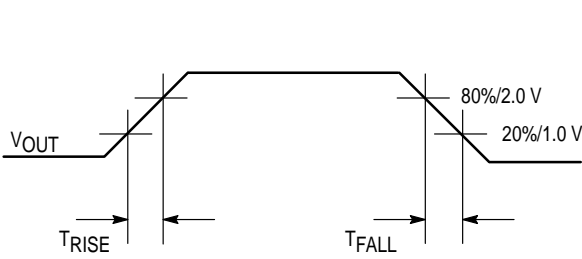


Figure 3. WAVEFORMS: Rise and Fall Times

ECL/TTL

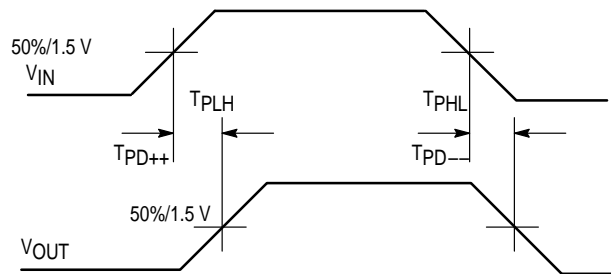


Figure 4. Propagation Delay — Single Ended

TTL

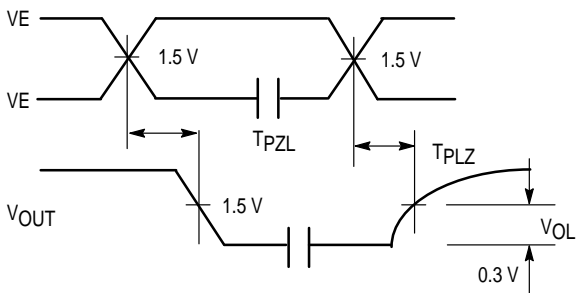


Figure 5. 3-State Output Low Enable and Disable Times

TTL

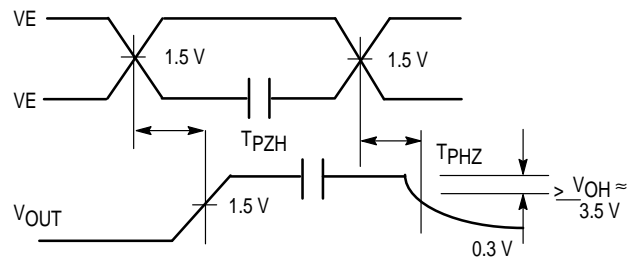
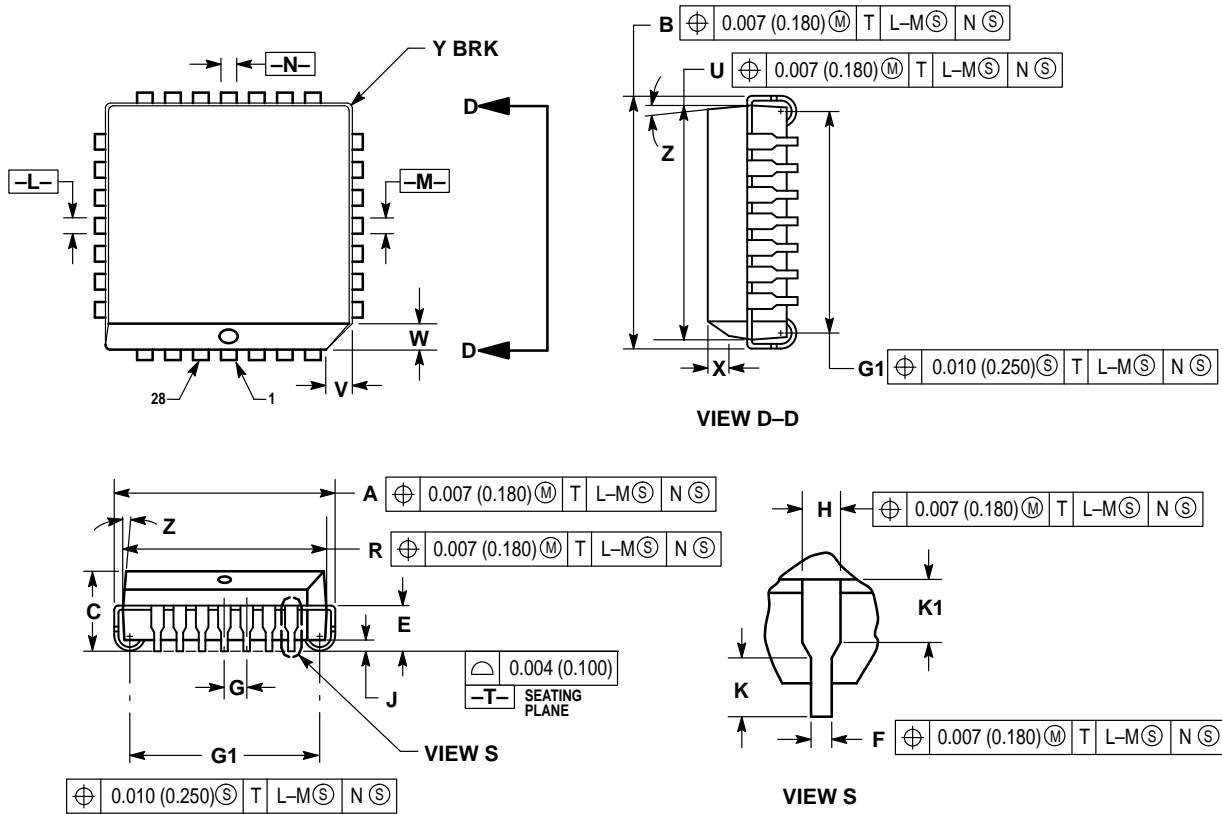


Figure 6. 3-State Output High Enable and Disable Times

[查询"MC100H680FNR2"供应商](#)

OUTLINE DIMENSIONS

FN SUFFIX  
PLASTIC PLCC PACKAGE  
CASE 776-02  
ISSUE D




NOTES:

- DATUMS -L-, -M-, AND -N- DETERMINED WHERE TOP OF LEAD SHOULDER EXITS PLASTIC BODY AT MOLD PARTING LINE.
- DIMENSION G1, TRUE POSITION TO BE MEASURED AT DATUM -T-, SEATING PLANE.
- DIMENSIONS R AND U DO NOT INCLUDE MOLD FLASH. ALLOWABLE MOLD FLASH IS 0.010 (0.250) PER SIDE.
- DIMENSIONING AND TOLERANCING PER ANSI Y14.5M, 1982.
- CONTROLLING DIMENSION: INCH.
- THE PACKAGE TOP MAY BE SMALLER THAN THE PACKAGE BOTTOM BY UP TO 0.012 (0.300). DIMENSIONS R AND U ARE DETERMINED AT THE OUTERMOST EXTREMES OF THE PLASTIC BODY EXCLUSIVE OF MOLD FLASH, TIE BAR BURRS, GATE BURRS AND INTERLEAD FLASH, BUT INCLUDING ANY MISMATCH BETWEEN THE TOP AND BOTTOM OF THE PLASTIC BODY.
- DIMENSION H DOES NOT INCLUDE DAMBAR PROTRUSION OR INTRUSION. THE DAMBAR PROTRUSION(S) SHALL NOT CAUSE THE H DIMENSION TO BE GREATER THAN 0.037 (0.940). THE DAMBAR INTRUSION(S) SHALL NOT CAUSE THE H DIMENSION TO BE SMALLER THAN 0.025 (0.635).

DIM	INCHES		MILLIMETERS	
	MIN	MAX	MIN	MAX
A	0.485	0.495	12.32	12.57
B	0.485	0.495	12.32	12.57
C	0.165	0.180	4.20	4.57
E	0.090	0.110	2.29	2.79
F	0.013	0.019	0.33	0.48
G	0.050 BSC		1.27 BSC	
H	0.026	0.032	0.66	0.81
J	0.020	—	0.51	—
K	0.025	—	0.64	—
R	0.450	0.456	11.43	11.58
U	0.450	0.456	11.43	11.58
V	0.042	0.048	1.07	1.21
W	0.042	0.048	1.07	1.21
X	0.042	0.056	1.07	1.42
Y	—	0.020	—	0.50
Z	2°		10°	
G1	0.410	0.430	10.42	10.92
K1	0.040	—	1.02	—

[查询"MC100H680FNR2"供应商](#)

Motorola reserves the right to make changes without further notice to any products herein. Motorola makes no warranty, representation or guarantee regarding the suitability of its products for any particular purpose, nor does Motorola assume any liability arising out of the application or use of any product or circuit, and specifically disclaims any and all liability, including without limitation consequential or incidental damages. "Typical" parameters which may be provided in Motorola data sheets and/or specifications can and do vary in different applications and actual performance may vary over time. All operating parameters, including "Typicals" must be validated for each customer application by customer's technical experts. Motorola does not convey any license under its patent rights nor the rights of others. Motorola products are not designed, intended, or authorized for use as components in systems intended for surgical implant into the body, or other applications intended to support or sustain life, or for any other application in which the failure of the Motorola product could create a situation where personal injury or death may occur. Should Buyer purchase or use Motorola products for any such unintended or unauthorized application, Buyer shall indemnify and hold Motorola and its officers, employees, subsidiaries, affiliates, and distributors harmless against all claims, costs, damages, and expenses, and reasonable attorney fees arising out of, directly or indirectly, any claim of personal injury or death associated with such unintended or unauthorized use, even if such claim alleges that Motorola was negligent regarding the design or manufacture of the part. Motorola and  are registered trademarks of Motorola, Inc. Motorola, Inc. is an Equal Opportunity/Affirmative Action Employer.

**How to reach us:**

**USA/EUROPE/Locations Not Listed:** Motorola Literature Distribution;  
P.O. Box 20912; Phoenix, Arizona 85036. 1-800-441-2447 or 602-303-5454

**MFAX:** RMFAX0@email.sps.mot.com – TOUCHTONE 602-244-6609  
**INTERNET:** <http://Design-NET.com>

**JAPAN:** Nippon Motorola Ltd.; Tatsumi-SPD-JLDC, 6F Seibu-Butsuryu-Center,  
3-14-2 Tatsumi Koto-Ku, Tokyo 135, Japan. 03-81-3521-8315

**ASIA/PACIFIC:** Motorola Semiconductors H.K. Ltd.; 8B Tai Ping Industrial Park,  
51 Ting Kok Road, Tai Po, N.T., Hong Kong. 852-26629298



MC10H680/D

