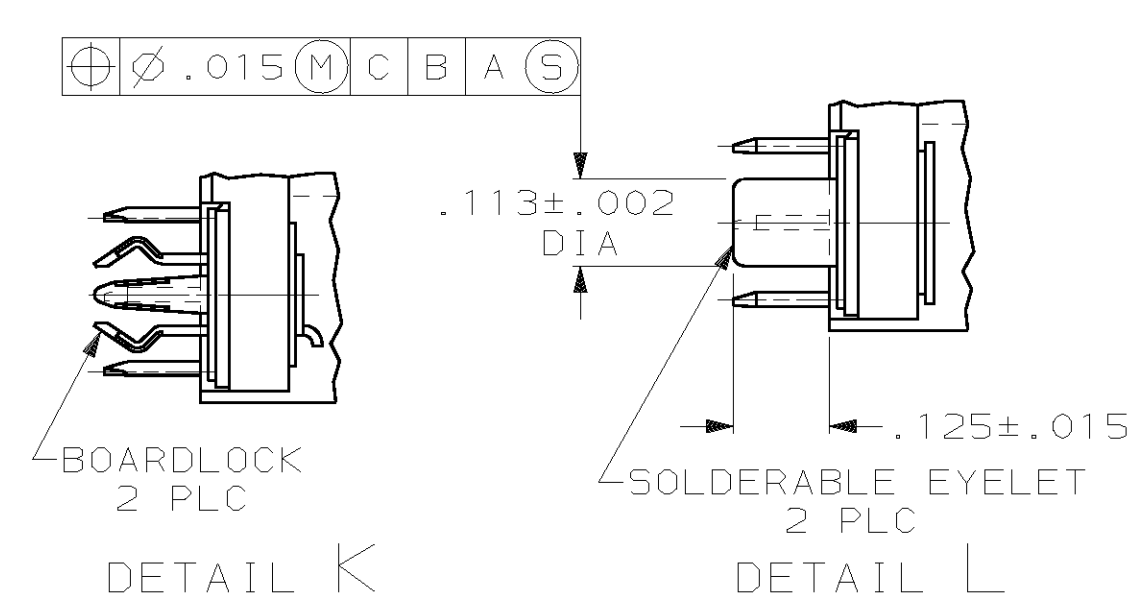
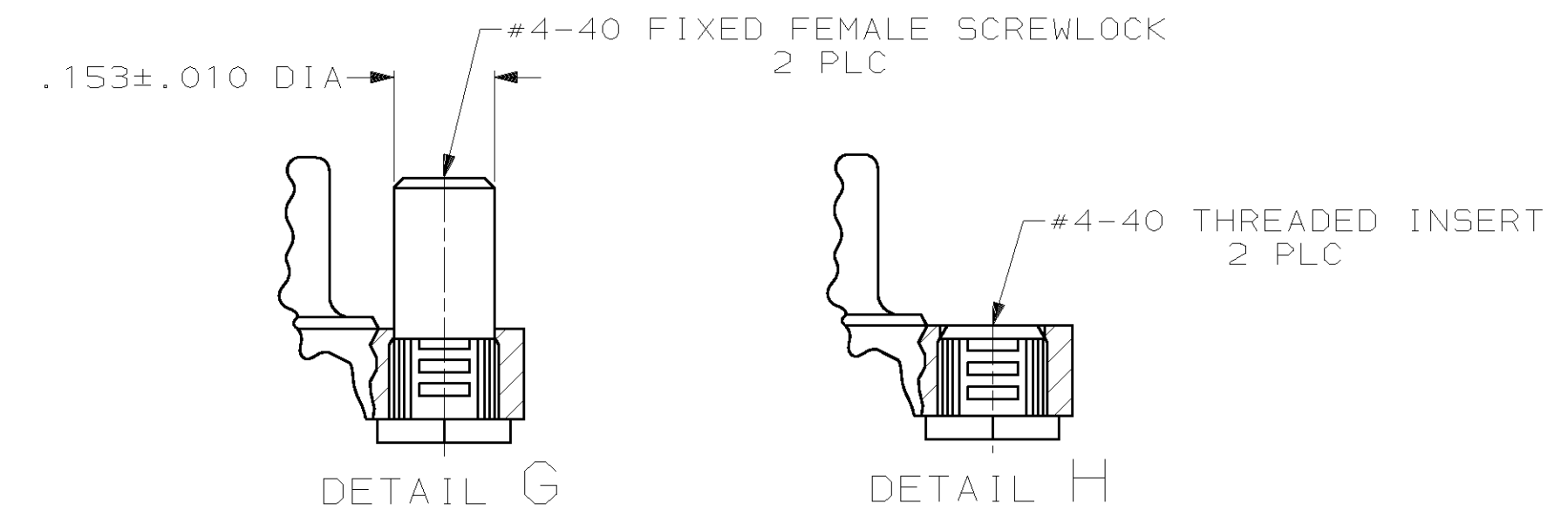
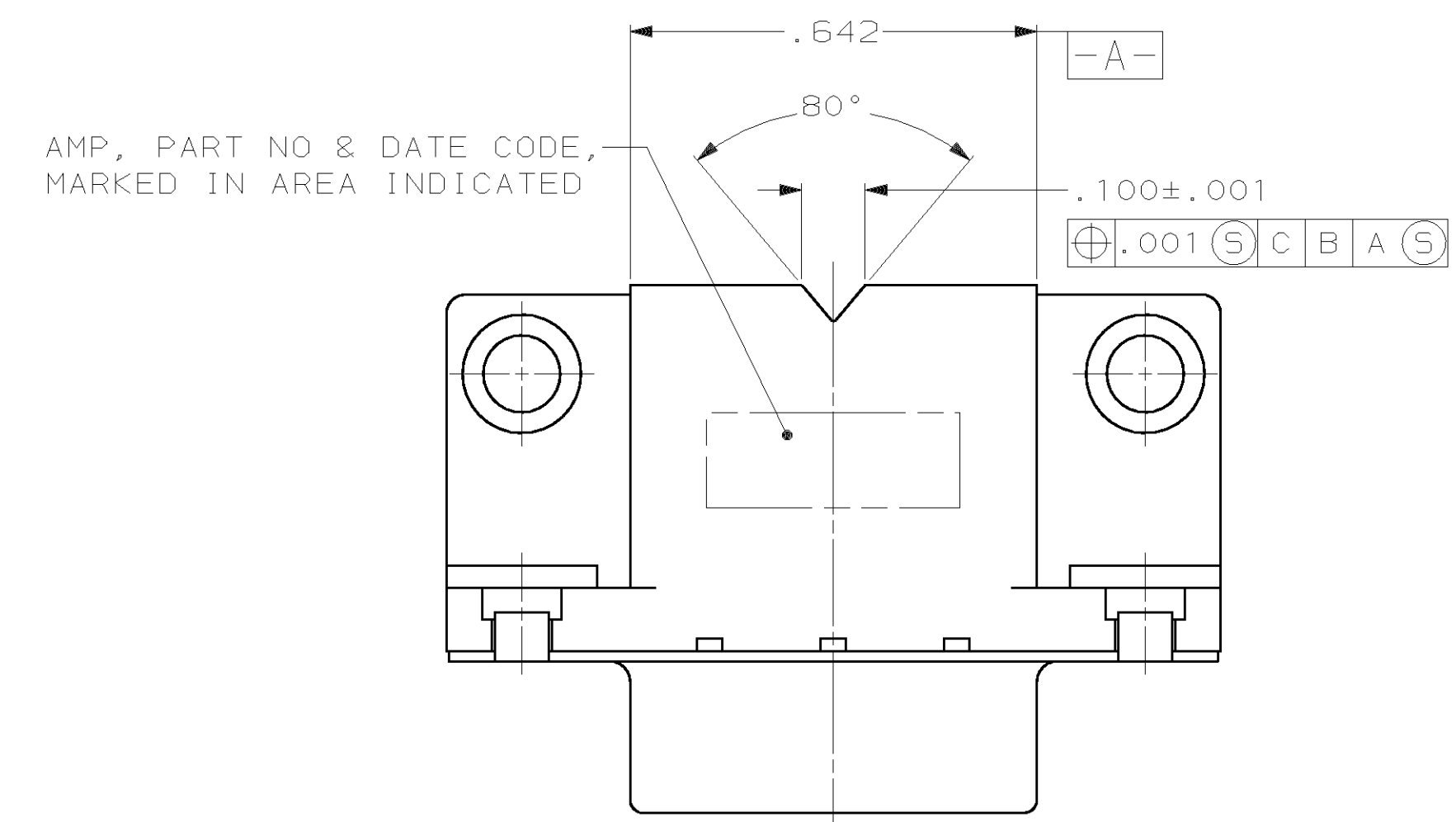
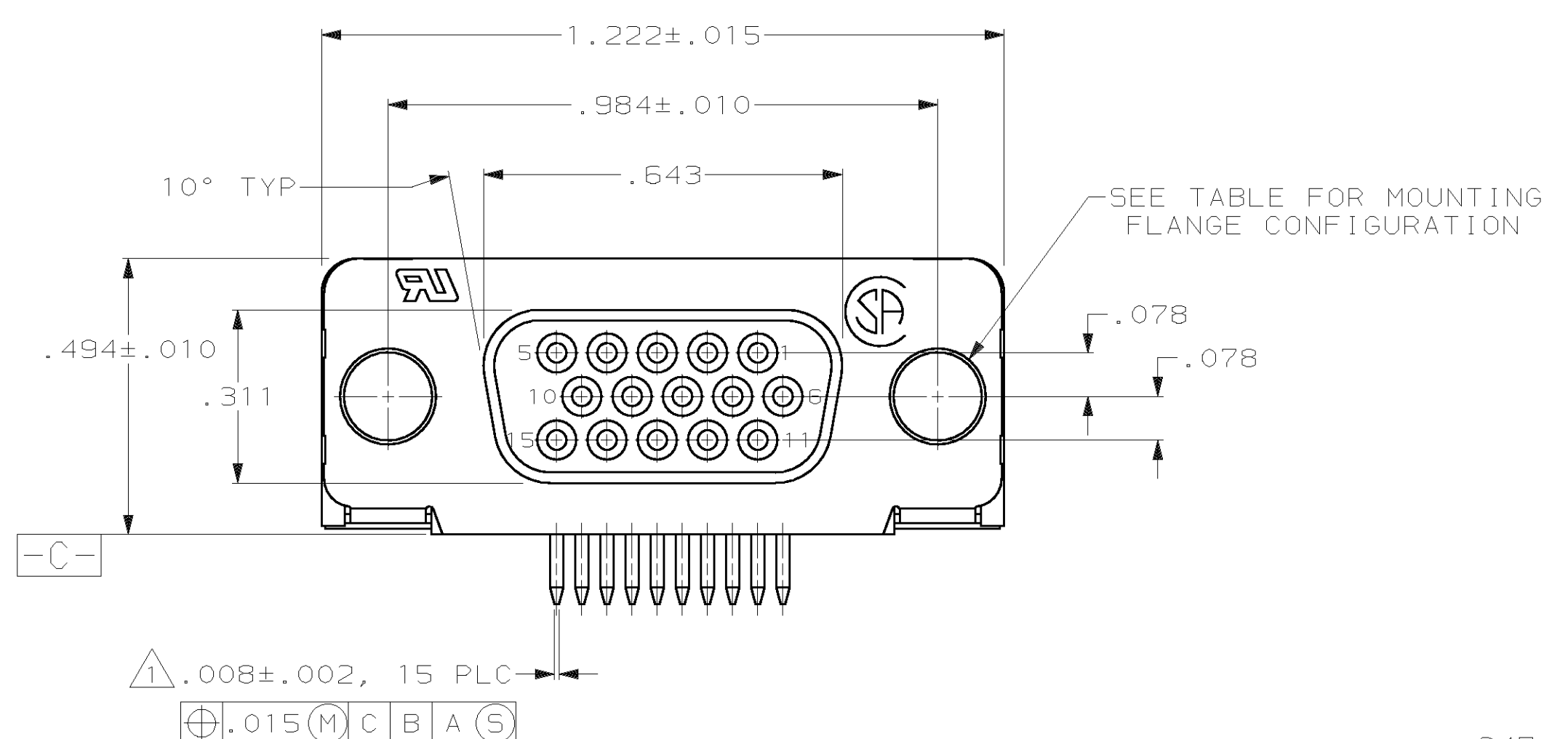


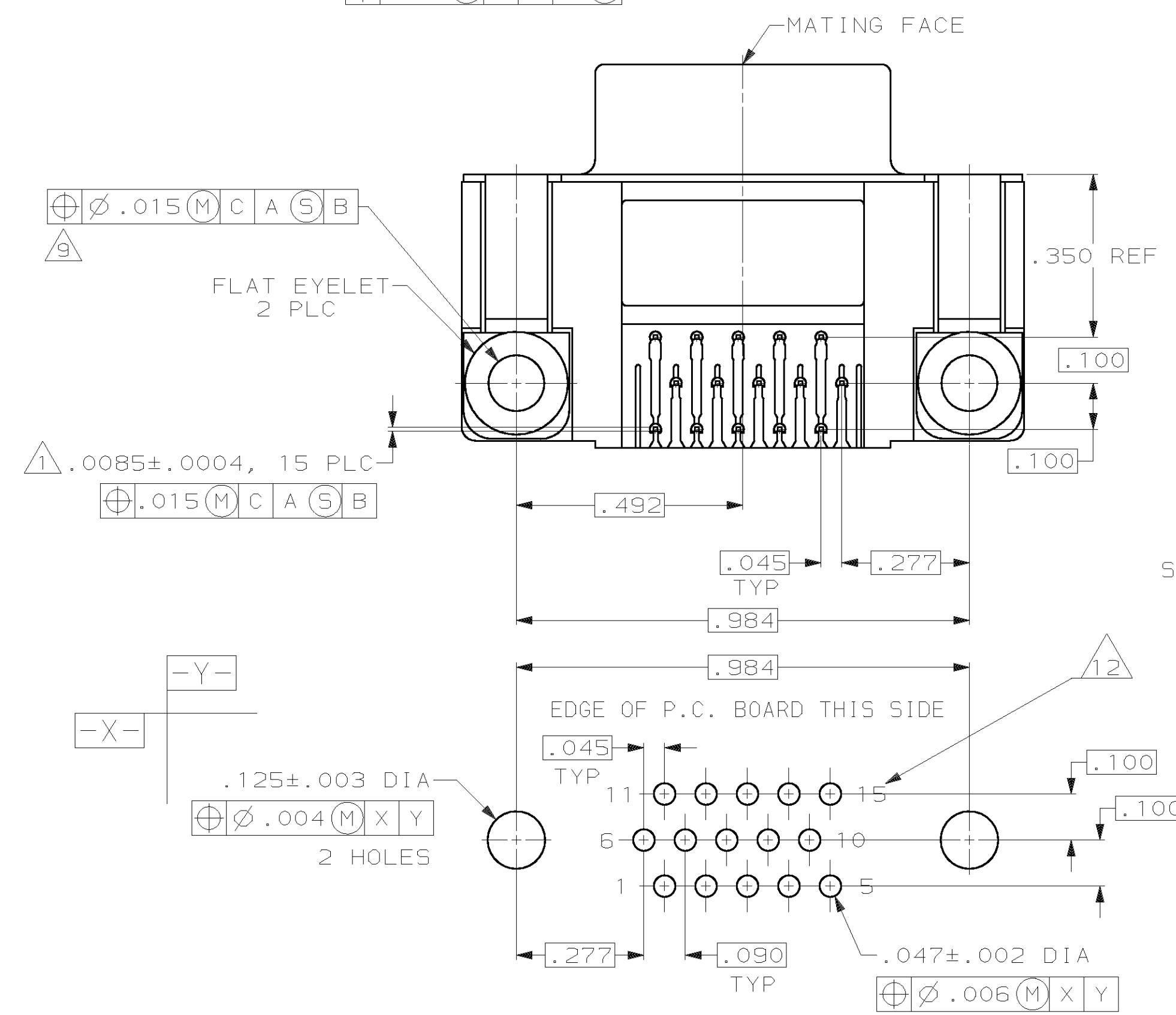
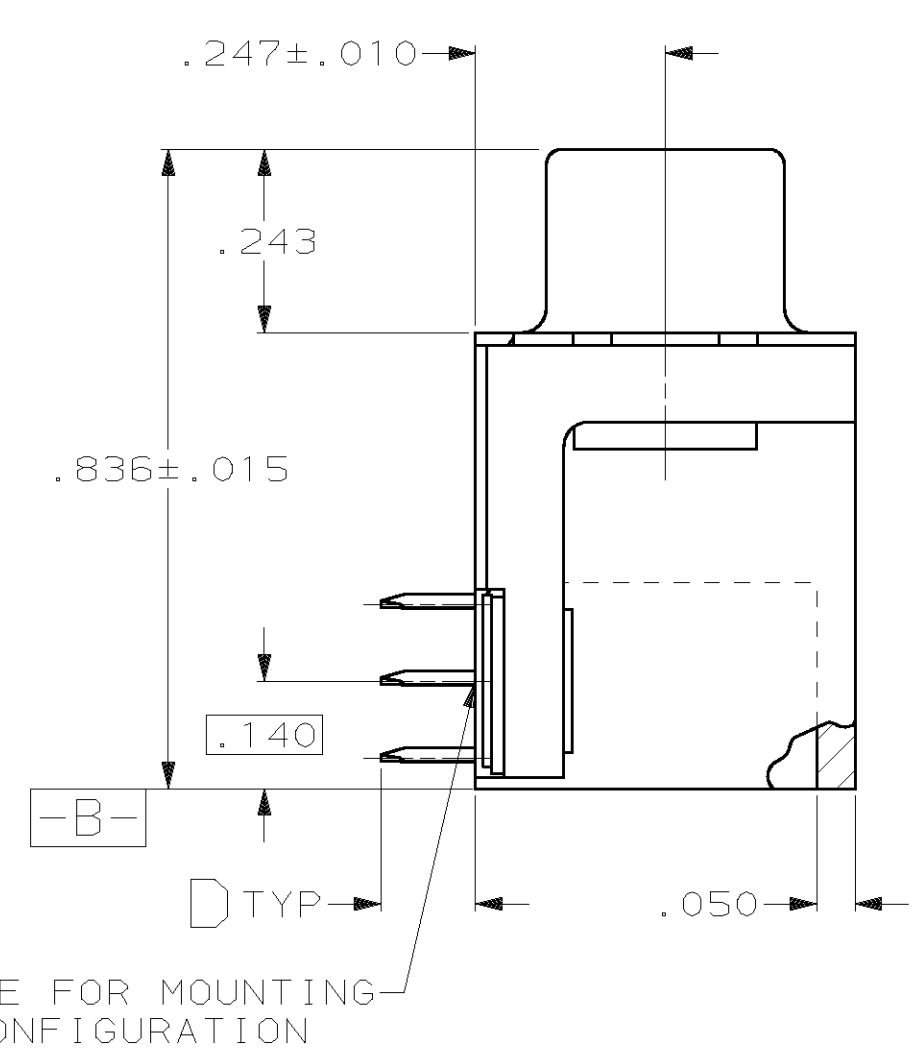
LOC	DIST	P	F	ZONE	LTR	DESCRIPTION	DATE	APPD
BD	77							
					AH	ADDED 4--2 PER EC 0020-91-96	06 FEB 96	RLT
					AJ	SUPSD -14, -15, -19, -20 & OBS -18 PER EC 0020-493-96	14 JAN 97	RT
					AK	ADDED -43 PER EC 0640-16-99	04 FEB 99	JK



- △ POSITION TOLERANCE APPLIES AT TIP ONLY.
- △ NYLON, 94 V-0 RATED, BLACK.
- △ PH05. BRONZE PER QQ-B-750.
- △ STEEL PER ASTM A109.
- △ FLAT EYELETS & SOLDERABLE EYELETS: BRASS; BOARDLOCKS: COPPER ALLOY; INSERTS & SCREWLOCKS: ZINC.
- △ GOLD PLATING PER MIL-G-45204, NICKEL PLATING PER QQ-N-290, TIN PLATING PER MIL-T-10727.
- △ BRIGHT TIN PLATED.
- △ FLAT EYELETS: BRIGHT TIN PLATED; SOLDERABLE EYELETS & BOARDLOCKS: TIN-LEAD PLATED; SCREWLOCKS: CLEAR CHROMATE; INSERTS: CLEAR CHROMATE.
- △ POSITION TOLERANCE APPLIES TO .125 DIA HOLE OR TO DIAMETER ESTABLISHED BY LEGS OF BOARDLOCK.
- △ PLATED WITH GOLD (SEE TABLE FOR THICKNESS) ON MATING END, .000120 MIN TIN-LEAD ON SOLDER END, ALL OVER .000050 MIN NICKEL.
- △ PART NO INCLUDES BULK PACKED SCREWLOCKS.
- △ POSITION NUMBERS SHOWN FOR REFERENCE ONLY.
- 13. THIS CONNECTOR IS RATED TO A TEMPERATURE OF 220° C MAX AND 90 SECOND MAXIMUM EXPOSURE TIME.



TUBE SPECIAL	DETAIL K	DETAIL G	DETAIL H	DETAIL L	CONTACT MATING END GOLD THICKNESS	PART NO
TRAYS	.125±.020	.085±.010	.125±.020	.125±.020	.000030 MIN	4-748390-3
-	.085±.010	.105±.010	.125±.020	.125±.020	.000030 MIN	4-748390-2
TUBES	.125±.020	.085±.010	.125±.020	.125±.020	FLASH	4-748390-1
-	.085±.010	.105±.010	.125±.020	.125±.020	.000030 MIN	3-748390-9
-	.105±.010	.125±.020	.125±.020	.125±.020	.000030 MIN	3-748390-8
-	.125±.020	.125±.020	.125±.020	.125±.020	.000030 MIN	3-748390-7
-	.125±.020	.125±.020	.125±.020	.125±.020	FLASH	3-748390-6
-	.125±.020	.125±.020	.125±.020	.125±.020	.000020 MIN	3-748390-5
-	.125±.020	.125±.020	.125±.020	.125±.020	.000020 MIN	3-748390-4
-	.125±.020	.125±.020	.125±.020	.125±.020	.000020 MIN	3-748390-3
-	.125±.020	.125±.020	.125±.020	.125±.020	.000015 MIN	3-748390-2
-	.125±.020	.125±.020	.125±.020	.125±.020	.000015 MIN	3-748390-1
-	.125±.020	.125±.020	.125±.020	.125±.020	.000015 MIN	2-748390-9
-	.125±.020	.125±.020	.125±.020	.125±.020	.000015 MIN	2-748390-8
-	.125±.020	.125±.020	.125±.020	.125±.020	.000010 MIN	2-748390-7
-	.125±.020	.125±.020	.125±.020	.125±.020	.000010 MIN	2-748390-6
-	.125±.020	.125±.020	.125±.020	.125±.020	.000010 MIN	2-748390-5
-	.125±.020	.125±.020	.125±.020	.125±.020	.000010 MIN	2-748390-4
-	.125±.020	.125±.020	.125±.020	.125±.020	FLASH	2-748390-3
-	.125±.020	.125±.020	.125±.020	.125±.020	FLASH	2-748390-2
-	.125±.020	.125±.020	.125±.020	.125±.020	FLASH	2-748390-1
-	.125±.020	.125±.020	.125±.020	.125±.020	.000030 MIN	2-748390-0
-	.125±.020	.125±.020	.125±.020	.125±.020	.000030 MIN	1-748390-9
-	.125±.020	.125±.020	.125±.020	.125±.020	FLASH	1-748390-8
-	.125±.020	.125±.020	.125±.020	.125±.020	FLASH	1-748390-7
-	.125±.020	.125±.020	.125±.020	.125±.020	.000010 MIN	1-748390-5
-	.125±.020	.125±.020	.125±.020	.125±.020	.000030 MIN	1-748390-4
-	.125±.020	.125±.020	.125±.020	.125±.020	FLASH	1-748390-2
-	.125±.020	.125±.020	.125±.020	.125±.020	FLASH	1-748390-1
-	.125±.020	.125±.020	.125±.020	.125±.020	.000030 MIN	748390-6
-	.125±.020	.125±.020	.125±.020	.125±.020	.000030 MIN	748390-5
PACKAGING	D	MOUNTING LEG CONFIGURATION	MOUNTING FLANGE CONFIGURATION			



P.C. BOARD MOUNTING DIMENSIONS
 (.062 PC BOARD THICKNESS FOR SOLDERABLE EYELETS & BOARDLOCKS)
 (.093 MAX PC BOARD THICKNESS WITHOUT SOLDERABLE EYELETS & BOARDLOCKS)

DO NOT SCALE PRINT. UNLESS SPECIFIED DIMENSIONS IN INCHES TOLERANCES ON: 2 PLC DEC ± .005 3 PLC DEC ± .005 ANGLES ± 2°	DR 1-27-88 C.RICHARD CHK 1-29-88 S.WELDON APPD 1-29-88 P.KISSINGER APPD 2-1-88 C.RHODE PRODUCT SPEC 108-1092 APPLICATION SPEC 114-40021 WEIGHT	AMP INCORPORATED Harrisburg, Pa. 17105 RECEPTACLE ASSY, SIZE 1, 15 POSN, RIGHT ANGLE, FRONT METAL SHELL, AMPLIMITE® HD-22 SIZE D FSCM NO 00779 DRAWING NO 748390 SCALE 4:1 SHEET 1 OF 1
---	--	--