

FUJITSU MICROELECTRONICS 97 DE 3749762 0004898 1 T-52-33-

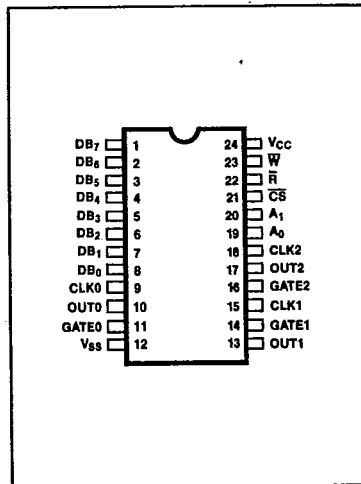
**FUJITSU** **PROGRAMMABLE TIMER** **MB89254**

April 1986

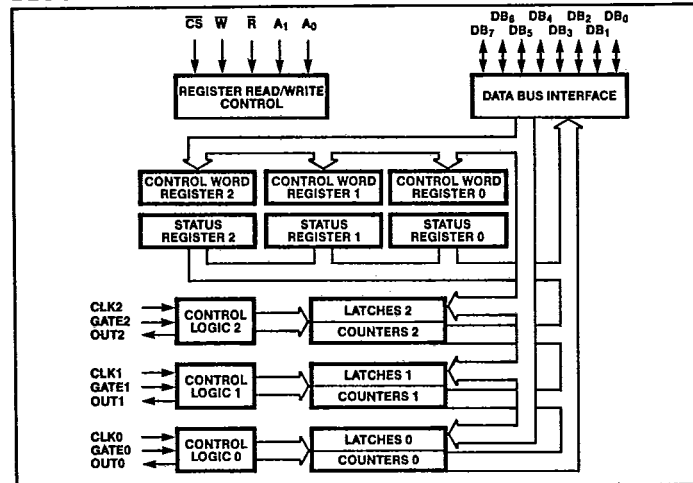
**DESCRIPTION**

The Fujitsu MB89254 Programmable Timer provides three totally independent timer channels. The user can select one of six operating modes for each channel and a variety of output waveforms (pulse, squarewave, etc). Under program direction, the timer serves as a "special-effects" generator and can be used for flag control, special system-control functions, and other supervisory chores. The MB89254 is fabricated in CMOS and is housed in a 24-pin plastic DIP. The device is functionally compatible with the Intel 8254 NMOS device.

**PIN CONFIGURATION**



**BLOCK DIAGRAM**



This device contains circuitry to protect the inputs against damage due to high static voltages or electric fields. However, it is advised that normal precautions be taken to avoid application of any voltage higher than maximum rated voltages to this high impedance circuit.