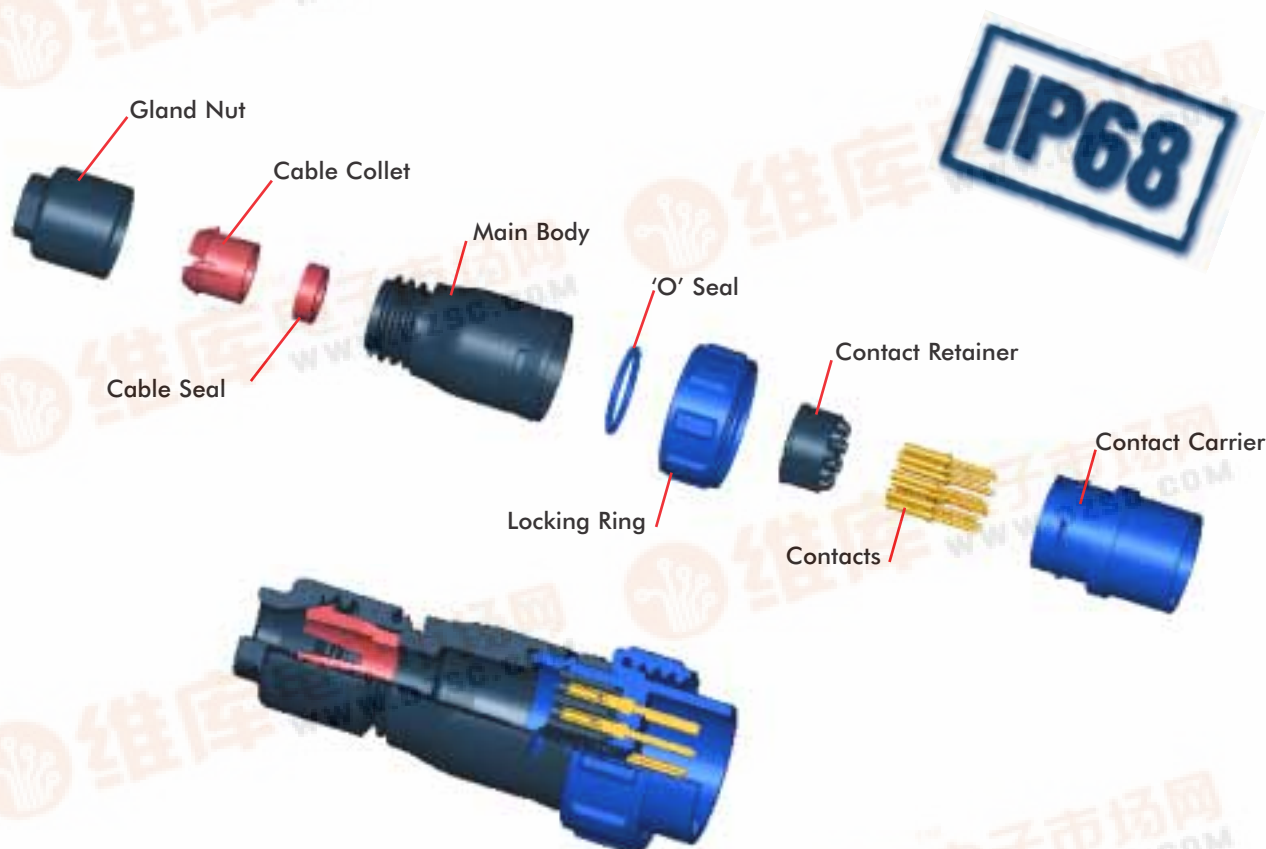


Micro Sealed Connector System



- Flex, Flex In-Line, and Chassis mounting body styles
- Plug and Socket versions in all body styles
- Sealed to IP68 when mated
- Flame Retardant moulding material - Nylon UL94-V0
- Contacts supplied separately
- Sealing caps available to maintain IP68 rating
- Secure sealing system
- Crimp and solder contacts
- Contact marking
- 2 and 3 pole - 8A, 250V rating
- 4, 6 and 8 pole - 5A, 125V rating
- 10 and 12 pole - 1A, 50V rating
- 2.5mm contact engagement for electrical integrity
- Scoop proof contacts
- Contact inserts are part of body moulding
- Cable range from 3 to 7mm
- Diameter (over coupling ring) 19.1mm
- Overall length (flex + flex in-line) 80mm

400 Series Buccaneer

Issue date: 03/02

[查询"13027"供应商](#)

Page 2 of 4

Part No System

PX04xx / xx x / xxxx

Body Styles

PX0410 = Flex body
 PX0411 = Flex in-line body
 PX0412 = Chassis mounting body

Number Contacts

02 = 2 pole, 03 = 3 pole,
 04 = 4 pole, 06 = 6 pole
 08 = 8 pole, 10 = 10 pole
 12 = 12 pole

Contact Type

P = Plug, S = Socket

Cable Entry

(leave blank for PX0412)

3035 = 3.0 - 3.5mm (Light Grey) 5055 = 5.0 - 5.5mm (Yellow)
 3540 = 3.5 - 4.0mm (Grey) 5560 = 5.5 - 6.0mm (Blue)
 4045 = 4.0 - 4.5mm (Green) 6065 = 6.0 - 6.5mm (White)
 4550 = 4.5 - 5.0mm (Red) 6570 = 6.5 - 7.0mm (Black)

Ordering Information

Ordering

- Determine body style, i.e. PX0410 = flex body, PX0411 = flex in-line body
- Determine number of contacts & type, i.e. 02 = 2 way, P = pin contacts
- Determine cable range, i.e. 3035 = 3.0 to 3.5mm cable accomation
- Choose appropriate contacts pack, i.e. SA3350 = pin contacts suitable for 2 & 3 way connectors, supplied in pack quantities of 10
- Is a sealing cap required?
- Is an insertion tool required?
- Is a crimp tool required?

Configuration

- Crimp contacts supplied separately in packs (see table below)
- Solder contacts supplied separately in packs (see table below)
- Supplied with colour coded sealing glands for specified cable range
- Seperate gland packs available
- Contact inserts are part of body moulding - no assembly required
- Sealing caps supplied separately

Crimp Contacts

| Pole | Pin | Socket | Pack Qty | Cable Acceptance (dia) | Current Rating |
|---------|--------|--------|----------|------------------------|----------------|
| 2, 3 | SA3350 | SA3349 | 10 | 20 - 24 AWG | 8A |
| 4, 6, 8 | SA3348 | SA3347 | 10 | 22 - 26 AWG | 5A |
| 10, 12 | SA3180 | SA3179 | 10 | 24 - 28 AWG | 1A |

Solder Contacts

| Pole | Pin | Socket | Pack Qty | Cable Acceptance (dia) | Current Rating |
|---------|----------|----------|----------|------------------------|----------------|
| 2, 3 | SA3350/1 | SA3349/1 | 10 | 20 - 24 AWG | 8A |
| 4, 6, 8 | SA3348/1 | SA3347/1 | 10 | 22 - 26 AWG | 5A |
| 10, 12 | SA3180/1 | SA3179/1 | 10 | 24 - 28 AWG | 1A |

Contact Insertion Tools

| | Contact rating | Colour | Part No |
|---------------------------|----------------|--------|---------|
| Insertion/Extraction Tool | 1A | Green | 13027 |
| Insertion/Extraction Tool | 5A | Red | 13027/1 |
| Insertion/Extraction Tool | 8A | Blue | 13027/2 |

Crimp Tools

| | Contact rating | Colour | Part No |
|--|----------------|--------|------------|
| 8 Indent Crimp Tool for use with positioners | | | 14025 |
| Positioner | 1A | Green | 14025/1AMP |
| Positioner | 5A | Red | 14025/5AMP |
| Positioner | 8A | Blue | 14025/8AMP |

400 Series Buccaneer

Issue date: 03.02

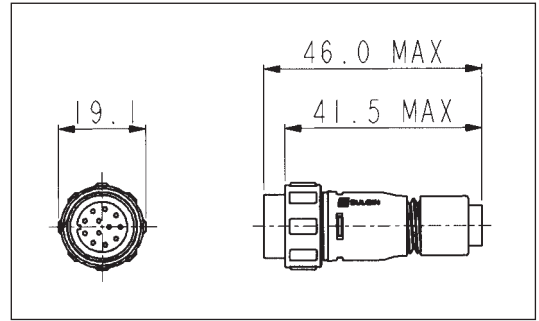
[查询"13027"供应商](#)

Page 3 of 4



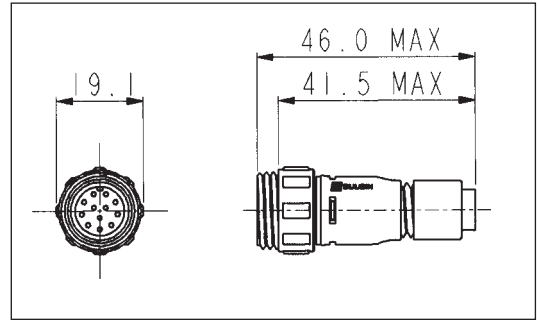
PX0410/P PX0410/S

- Flex Cable Connector
- Screw locking ring
- Mates with Flex In-line or Chassis mounting versions (PX0411 & PX0412)
- Contacts supplied separately



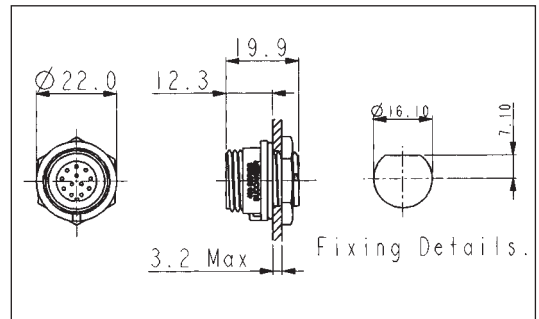
PX0411/P PX0411/S

- In-line Flex Cable Connector
- Screw locking ring
- Mates with PX0410
- Contacts supplied separately

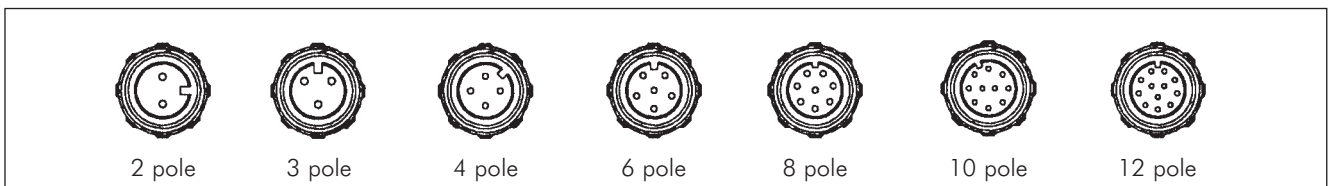


PX0412/P PX0412/S

- Chassis Mounting Connector
- Mates with PX0410
- Contacts supplied separately



Contact layout



PX0480 PX0480/1 PX0481

- PX0480**
Fits PX0412 style (chassis body).
- PX0480/1**
Fits PX0411 style (flex in-line).
- PX0481**
Fits PX0410 style (flex body).

Gland Packs

- PX0482** Pack of 4 pairs cable collets and seals to suit cables from 3.0 to 5.0mm diameter.
- PX0483** Pack of 4 pairs cable collets and seals to suit cables from 5.0 to 7.0mm diameter.

400 Series Buccaneer

Issue date: 03.02

[查询"13027"供应商](#)

Page 4 of 4

Specification - Provisional data only

Electrical:

| | | | |
|------------------------------|-----------------------------------|---------|--------|
| Poles: | 2, 3 | 4, 6, 8 | 10, 12 |
| Current Rating: | 8A | 5A | 1A |
| Voltage Rating: | 250V | 125V | 50V |
| Contact Resistance: | <5mΩ | | |
| Insulation Resistance: | >10 ⁶ MΩ (@ 500V a.c.) | | |
| AC Breakdown Voltage: | 2.5kV | | |
| Operating Temperature Range: | -40° to +80°C | | |
| Approvals: | UL, CSA & VDE pending | | |

Material:

| | |
|-------------------------|---------------------------|
| Body Mouldings: | Polyamide |
| Flammibility Rating: | UL94V-0 |
| UV Resistance: | To EN 50021:1999 |
| Contacts: | Copper alloy, Gold plated |
| O Rings: | Nitrile |
| Chassis Sealing O Ring: | Nitrile |

Mechanical:

| | |
|-----------------------------|---|
| Sealing: | IP68, EN 60529 |
| Cable Acceptance: | 3.0 - 7.0mm |
| Contact Accommodation: | 2, 3 pole, 20 - 24 AWG 4, 6, 8 pole, 22 - 26 AWG 10, 12 pole, 24 - 28 AWG |
| Termination: | Crimp and solder |
| Insertion/Withdrawal Force: | |
| No. poles: | 2 3 4 6 8 10 12 |
| Insertion Force (typ): | 19N 25N 27N 27N 28N 55N 62N |
| Withdrawal Force (typ): | 12N 17N 17N 21N 22N 25N 29N |
| Cable Retention force: | 80N |

Dimensions:

| | |
|--|--------|
| Overall dimensions of connectors when mated together | |
| Flex + Flex In-Line | 80mm |
| Dia. over coupling ring | 19.1mm |