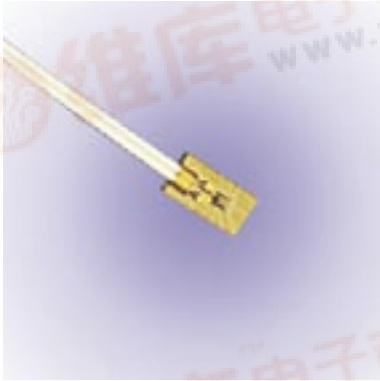


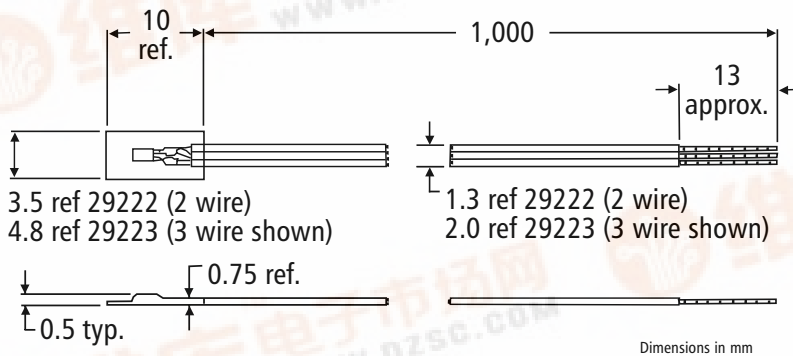
0.05° C stable 100R Miniature flexible platinum RTD 29220 series



This 100R sensor is factory sealed for $\pm 0.05^{\circ}\text{C}$ stability. The extremely small and thin design allows this flexible package to easily conform to complex surfaces for accurate response in milliseconds.

Platinum ribbons welded within the sealed RTD provide flexibility and toughness. Moisture resistance for condensation and shallow immersion is provided by Kapton®/Teflon® lamination which completely encapsulates the assembly and lead entrance.

- Flexible, tough and durable
- Fast response
- Temperature range -200°C to 350°C
- Long-term stability better than 0.05°C (0.02R) per 5 years



Three wire/two wire configuration



Specifications

Resistance	100R at 0°C
Accuracy	$\pm 0.12\text{R}$
Stability	0.05°C
Temperature range	-200°C to 260°C
Self heating	$> 15\text{mW}/^{\circ}\text{C}$ mounted
Time constant	< 0.3 seconds on metal surfaces