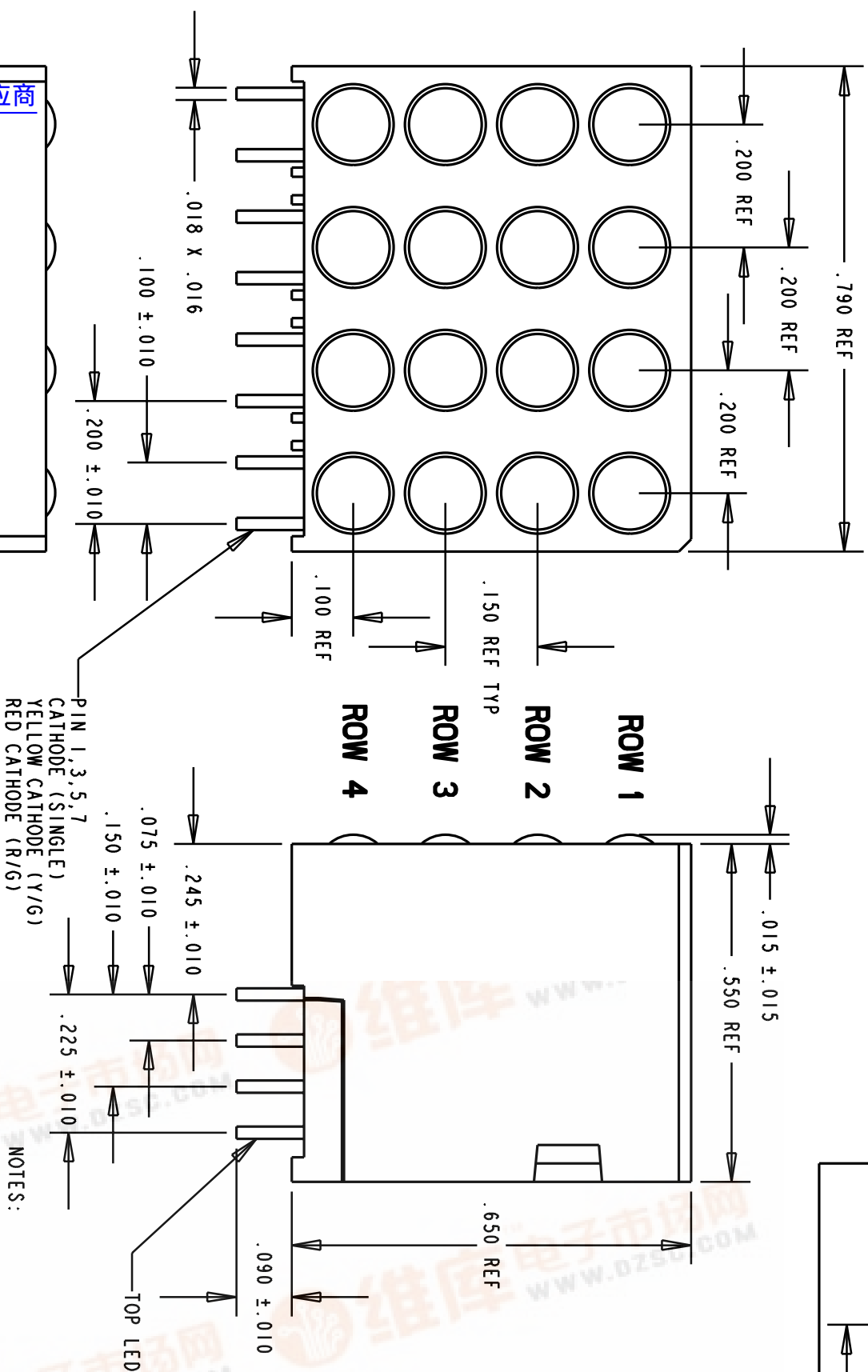
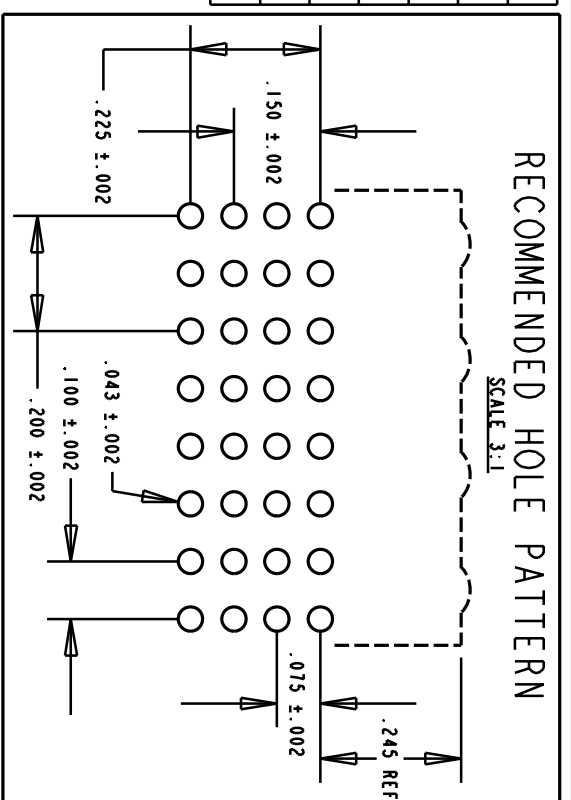


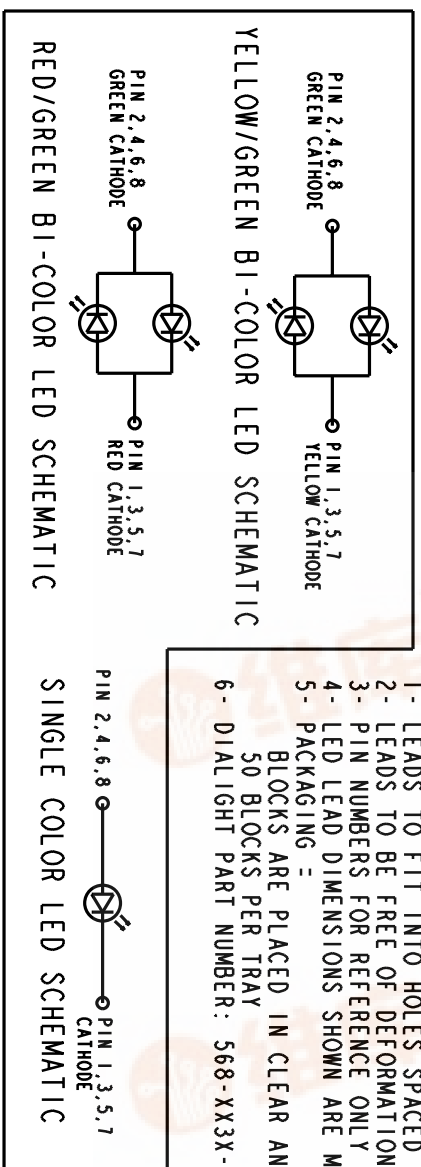
PART NUMBER	LED COLOR			
	ROW 1	ROW 2	ROW 3	ROW 4
568-0731-1114	RED / GREEN	RED / GREEN	RED / GREEN	RED / GREEN
568-0734-4444	YELLOW / GREEN	YELLOW / GREEN	YELLOW / GREEN	YELLOW / GREEN
568-2231-1114	RED NON-DIFFUSED	RED NON-DIFFUSED	RED NON-DIFFUSED	RED NON-DIFFUSED
568-2232-2224	GREEN NON-DIFFUSED	GREEN NON-DIFFUSED	GREEN NON-DIFFUSED	GREEN NON-DIFFUSED
568-2233-3334	YELLOW NON-DIFFUSED	YELLOW NON-DIFFUSED	YELLOW NON-DIFFUSED	YELLOW NON-DIFFUSED



NOTES:

- LEADS TO FIT INTO HOLES SPACED AS PER HOLE PATTERN
- LEADS TO BE FREE OF DEFORMATION AFTER BENDING AND CUTTING
- PIN NUMBERS FOR REFERENCE ONLY - DO NOT EXIST ON PART
- LED LEAD DIMENSIONS SHOWN ARE MEASURED AT HOUSING EXIT
- PACKAGING =
- BLOCKS ARE PLACED IN CLEAR ANTISTATIC TRAY
- 50 BLOCKS PER TRAY
- DIALIGHT PART NUMBER: 568-XX3X-XXXX

CHARACTERISTICS	OPERATING CHARACTERISTICS AT 25°C AMBIENT			UNITS	TEST CONDITIONS
	LED COLOR	MIN	TYP		
LUMINOUS INTENSITY	RED	8.7	29		mcd I F = 10 mA
	GREEN	32	50		
	YELLOW	10		50	
FORWARD VOLTAGE	RED / GREEN	2.5/3.7	4.7/10.0		V I F = 20 mA
	RED	2.5	4.3/6.3		
	GREEN	2.0	2.0	2.8	
	YELLOW	2.1	2.1	2.8	
REVERSE CURRENT	RED / GREEN	2.0/2.1	2.8		µA V R = 5 V
	RED	2.1	2.1	2.8	
	GREEN	2.1	2.1	2.8	
	YELLOW	2.1	2.1	2.8	
PEAK WAVELENGTH	RED	635			nm
	GREEN	565			
	YELLOW	585			
	RED / GREEN	635/565			
VIEWING ANGLE	ALL	45			Degree
	RED / GREEN	60			
	YELLOW / GREEN	80			
	RED	20			
CAPACITANCE	GREEN	35			pF V F = 0, f = 1MHz
	YELLOW	15			
	RED / GREEN	20/35			
	YELLOW / GREEN	15/35			



THIS DRAWING AND THE CONTENTS HEREIN ARE CONFIDENTIAL AND THE SOLE PROPERTY OF DIALIGHT. REPRODUCTION OF THIS DRAWING OR CONSTRUCTION OF ANY PARTS WITHIN THIS DRAWING ARE FORBIDDEN WITHOUT THE WRITTEN CONSENT OF DIALIGHT.	
SCALE 4:1	DRAWING NUMBER
TOLERANCES: UNLESS OTHERWISE SPECIFIED	C-16597
FRACTIONS: ±1/64	TITLE
DECIMALS (.XX): ±.020	4X4 CBI ARRAY BLOCK
DECIMALS (.XXX): ±.015	MATERIAL
DECIMALS (.XXXX): ±.010	
ANGLES: ±3°	
FINISH:	REV
FSCM 83330	B
SHEET OF	1913 ATLANTIC AVE
FAMILY TABLE:	MANASOUAN, N. J. 08736

REV.	ECN NO.	REVISIONS	DRN.	CKD.	APP.	DATE
A	-----	NEW RELEASE	TC	AV	NO	11-2-99
B	-----	ADD 568-0731-1114/-0734-4444	AV			

1114"供应商 688023