

FEATURES

- 3-way, 2 position (NO, NC & Distributor)
- Optional 'Hit and Hold' drive electronics using pulse width modulation (PWM) at 25-32 kHz
- Minimum flow of 8 lpm @ 6 psi and 22 lpm @ 30 psi
- 10 mm single piece body design
- Barbed pressure ports allow for direct tubing or manifold assemblies
- RoHS compliant

MEDIA COMPATIBILITY

Non-reactive gases

WETTED MATERIALS

PBT (polybutylene terephthalate) glass filled;
430FR series stainless steel; 302 series stainless steel; Viton (FKM) or silicone elastomer

ELECTRICAL

Power	0.5 W
Voltage	5, 12, 24 V _{DC}
Electrical connections	PC pins



PHYSICAL PROPERTIES

Operating environment (continuous duty)	0 to 50 °C
Storage temperature	-40 to 70 °C
Spacing	10 mm (centerline)
Porting	Barbs for 1.98 mm (0.078 in) I.D. tubing or manifold mount with gasket
Weight	
without electronics	10.7 g
with electronics	12 g
Internal volume	0.131 cm ³ (0.0080 in ³)

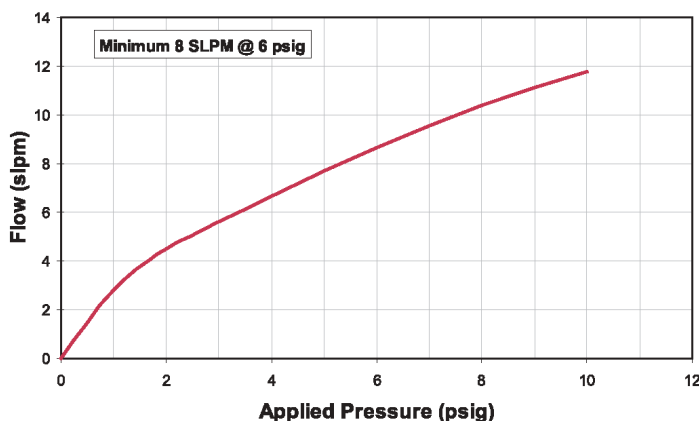
Ten-X is a registered trademark of Parker Hannifin Corporation.

PERFORMANCE CHARACTERISTICS

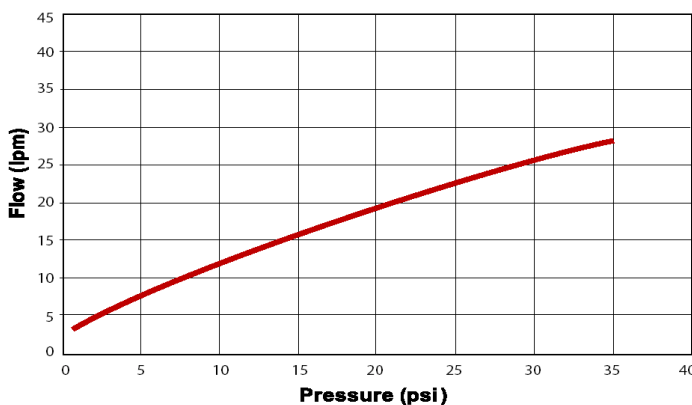
Part no.	Pressure	Minimum flow	Orifice sizes/ Equivalent C_v ¹	Leak rate ²	Response
914-1... (silicone elastomer)	0...6 psi	8 lpm @ 6 psi, 22 lpm @ 30 psi	0.060" (1.52 mm)/ 0.042 C_v	≤0.016 sccm	<5 ms cycling
914-2... (Viton elastomer)	0...6 psi, 0...20 psi, 0...30 psi			≤0.2 sccm	<20 ms cycling

FLOW CURVES (typical air flow at 24 °C)³

6 psi devices



20 psi and 30 psi devices

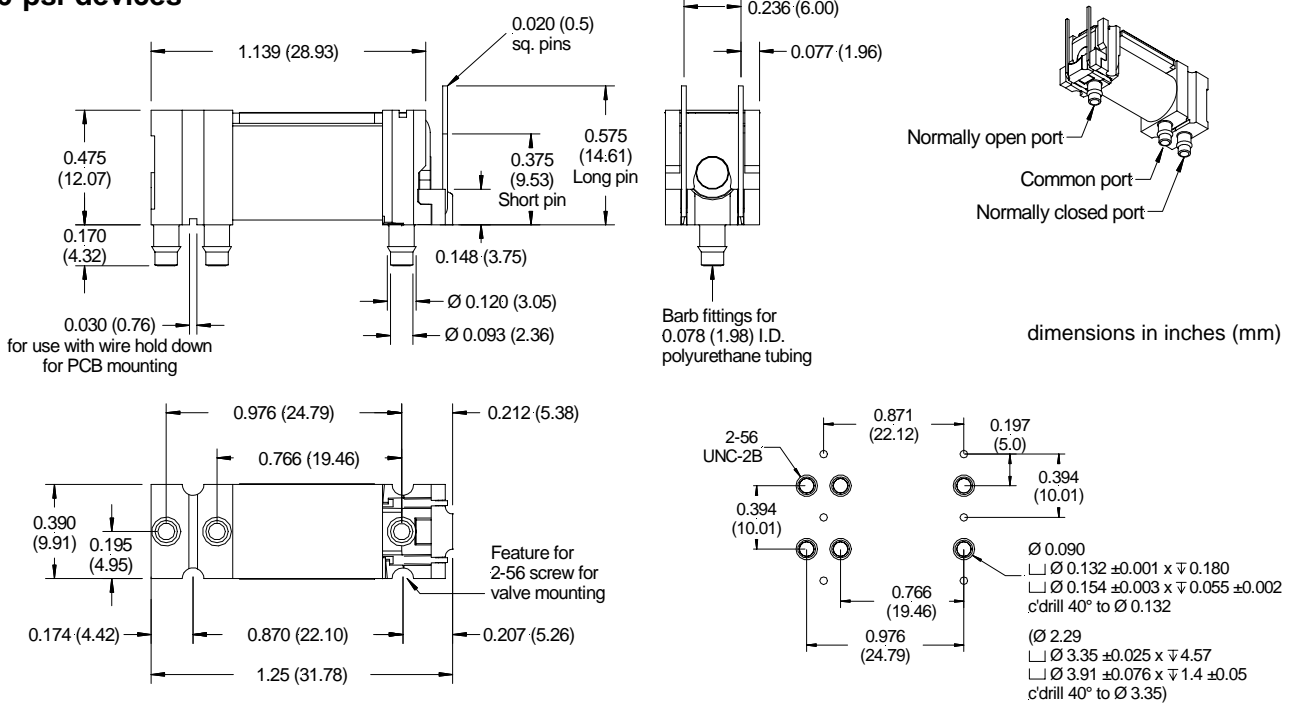


Notes:

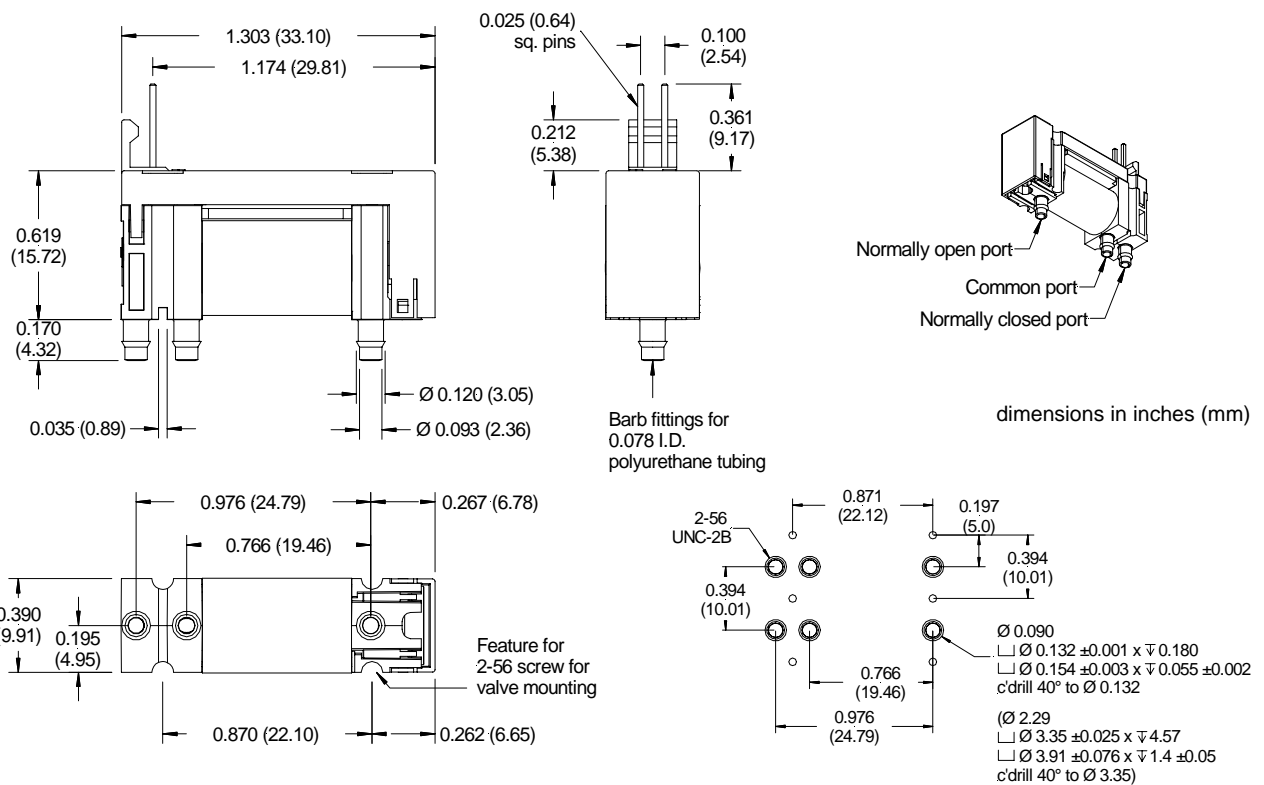
- ¹ The C_v value is the volume flow in US gallons/min under specific flow conditions and describes the relative flow capacity of a valve. If several valves with the same nominal diameter are compared, the valve with the highest C_v value has the best flow dynamics design. The equivalent european measure is the k_v value expressed in m^3/h ($k_v = 0.86 C_v$).
- ² sccm denotes Standard Cubic Centimeters per Minute. It is a unit for the flow rate at standard conditions of temperature and pressure. 1000 sccm = 1 slpm.
- ³ slpm denotes Standard Liters per Minute. It is a unit for the flow rate at standard conditions of temperature and pressure. 1 slpm = 1000 sccm.

OUTLINE DRAWING AND MANIFOLD MOUNT DIAGRAM

6 psi devices



20 psi and 30 psi devices with electronics



ORDERING INFORMATION

6 psi devices

Options	Series	Elastomer		Type		Model		Voltage		Electical		Accessories*	
	914	1	Silicone	1*	2/3 way, NO, 6 psi	1	Standard (without electronics)	05	5 V _{DC}	1	Short pins	000	none
		2	Viton (FKM)	2**	2/3 way, NC, 6 psi			12	12 V _{DC}	2	Long pins		
				6**	Distributor, 6 psi			24	24 V _{DC}				
				* Silicone elastomer only ** Viton (FKM) elastomer only								* please order separately	
Example:	914	1		1		1		05		1		000	

20 psi and 30 psi devices with electronics

Options	Series	Elastomer		Type		Model		Voltage		Electical		Accessories*	
	914	2	Viton (FKM)	3*	2/3 way, NC, 30 psi	2	Integrated electronics	05	5 V _{DC}	3	Pins (2.54 mm)	000	none
				4**	2/3 way, NO, 30 psi			12	12 V _{DC}				
				5**	Distributor, 20 psi			24	24 V _{DC}				
				* Silicone elastomer only ** Viton (FKM) elastomer only								* please order separately	
Example:	914	2		3		2		05		3		000	

Note: Not all combinations might be available. Please contact your nearest Sensortechincs sales representative for further information.

Accessories (please order separately using the following order numbers)

Order No.	Description
191-000112-010 (<i>free of charge</i>)	Mounting screws for 6 psi devices (2 screws per valve)
191-000112-012 (<i>free of charge</i>)	Mounting screw for 20 psi and 30 psi devices (2 screws per valve)
195-000211-001 (<i>free of charge</i>)	Manifold gasket (FKM) for 6 psi devices (1 gasket per valve)
195-000242-001 (<i>free of charge</i>)	Manifold gasket (FKM) for 20 psi and 30 psi devices (1 gasket per valve)
590-000073-001 (<i>extra charge</i>)	18 " leads w/ connector (only for devices with integrated electronics)

Sensortechincs reserves the right to make changes to any products herein. Sensortechincs does not assume any liability arising out of the application or use of any product or circuit described herein, neither does it convey any license under its patent rights nor the rights of others.