

## Low-Noise, Wide-Bandwidth, High PSRR, Low-Dropout 1A Linear Regulator

Check for Samples: [TPS7A80xx](#)

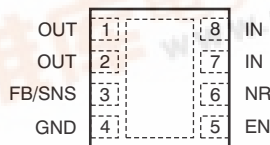
### FEATURES

- Low-Dropout 1A Regulator with Enable
- Available in Multiple Output Versions:
  - Fixed Output Voltages: 0.8V to 5.0V Using Innovative Factory EEPROM Programming
  - Adjustable Output Voltages: 0.8V to 6.0V
- Wide-Bandwidth High PSRR:
  - 63dB at 1kHz
  - 57dB at 100kHz
  - 38dB at 1MHz
- Low Noise:  $15.6 \times V_{OUT} \mu V_{RMS}$  typical (100Hz to 100kHz)
- Stable with a 4.7 $\mu$ F Ceramic Capacitor
- Excellent Load/Line Transient Response
- 3% Overall Accuracy (over Load/Line/Temp)
- Over-Current and Over-Temperature Protection
- Very Low Dropout: 170mV Typical at 1A
- 3mm x 3mm SON-8 DRB Package

### APPLICATIONS

- Telecom Infrastructure
- Audio
- High-Speed I/F (PLL/VCO)

DRB PACKAGE  
3mm x 3mm SON  
(TOP VIEW)



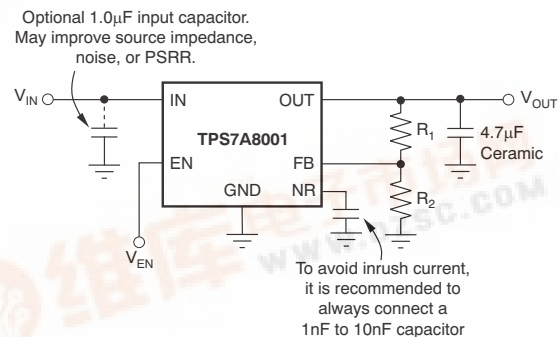
### DESCRIPTION

The TPS7A80xx family of low-dropout linear regulators (LDOs) offer very high power-supply ripple rejection (PSRR) at the output. This series of LDOs uses an advanced BiCMOS process and a PMOSFET pass device to achieve very low noise, excellent transient response, and excellent PSRR performance.

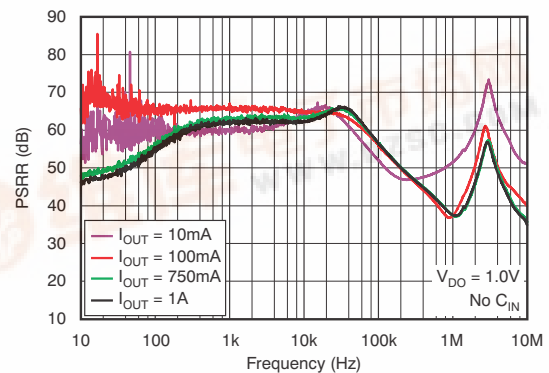
The TPS7A80xx is stable with a 4.7 $\mu$ F ceramic output capacitor, and uses a precision voltage reference and feedback loop to achieve a worst-case accuracy of 3% over all load, line, process, and temperature variations.

This device is fully specified over the temperature range of  $T_J = -40^\circ\text{C}$  to  $+125^\circ\text{C}$  and is offered in a 3mm x 3mm, SON-8 package with a thermal pad.

Typical Application Circuit for Fixed Voltage Versions



TYPICAL POWER-SUPPLY RIPPLE REJECTION



Please be aware that an important notice concerning availability, standard warranty, and use in critical applications of Texas Instruments semiconductor products and disclaimers thereto appears at the end of this data sheet.

All trademarks are the property of their respective owners.

PRODUCTION DATA information is current as of publication date. Products conform to specifications per the terms of the Texas Instruments standard warranty. Production processing does not necessarily include testing of all parameters.

Copyright © 2010, Texas Instruments Incorporated



[查询 TPS7A8001 电压商](#)


This integrated circuit can be damaged by ESD. Texas Instruments recommends that all integrated circuits be handled with appropriate precautions. Failure to observe proper handling and installation procedures can cause damage.

ESD damage can range from subtle performance degradation to complete device failure. Precision integrated circuits may be more susceptible to damage because very small parametric changes could cause the device not to meet its published specifications.

### ORDERING INFORMATION<sup>(1)</sup>

PRODUCT	V <sub>OUT</sub> <sup>(2)</sup>
TPS7A80xxyyyz	<b>XX</b> is nominal output voltage (for example, 28 = 2.8V, 285 = 2.85V, 01 = Adjustable). <b>YYY</b> is package designator. <b>Z</b> is package quantity.

- (1) For the most current package and ordering information see the Package Option Addendum at the end of this document, or visit the device product folder on [www.ti.com](http://www.ti.com).
- (2) Output voltages from 0.9V to 5.0V in 50mV increments are available through the use of innovative factory EEPROM programming; minimum order quantities may apply. Contact factory for details and availability.

### ABSOLUTE MAXIMUM RATINGS

over operating free-air temperature range (unless otherwise noted)<sup>(1)</sup>

		VALUE		UNIT
		MIN	MAX	
Voltage	IN	-0.3	+7.0	V
	FB, NR	-0.3	+3.6	V
	EN	-0.3	V <sub>IN</sub> + 0.3 <sup>(2)</sup>	V
	OUT	-0.3	+7.0	V
Current	OUT	Internally Limited		A
Temperature	Operating virtual junction, T <sub>J</sub>	-55	+150	°C
	Storage, T <sub>stg</sub>	-55	+150	°C
Electrostatic Discharge Rating <sup>(3)</sup>	Human body model (HBM) QSS 009-105 (JESD22-A114A)	2		kV
	Charged device model (CDM) QSS 009-147 (JESD22-C101B.01)	500		V

- (1) Stresses beyond those listed under *Absolute Maximum Ratings* may cause permanent damage to the device. These are stress ratings only, and functional operation of the device at these or any other conditions beyond those indicated is not implied. Exposure to absolute-maximum-rated conditions for extended periods may affect device reliability.
- (2) V<sub>EN</sub> absolute maximum rating is V<sub>IN</sub> + 0.3V or +7.0V, whichever is smaller.
- (3) ESD testing is performed according to the respective JESD22 JEDEC standard.

**THERMAL INFORMATION**

THERMAL METRIC <sup>(1)</sup>		TPS7A80xx	UNITS
		DRB <sup>(2)</sup>	
		8 PINS	
$\theta_{JA}$	Junction-to-ambient thermal resistance <sup>(3)</sup>	47.8	°C/W
$\theta_{Jc\text{top}}$	Junction-to-case (top) thermal resistance <sup>(4)</sup>	83.0	
$\theta_{JB}$	Junction-to-board thermal resistance <sup>(5)</sup>	N/A	
$\psi_{JT}$	Junction-to-top characterization parameter <sup>(6)</sup>	2.1	
$\psi_{JB}$	Junction-to-board characterization parameter <sup>(7)</sup>	17.8	
$\theta_{Jc\text{bot}}$	Junction-to-case (bottom) thermal resistance <sup>(8)</sup>	12.1	

- (1) For more information about traditional and new thermal metrics, see the [IC Package Thermal Metrics application report, SPRA953A](#).
- (2) Thermal data for the DRB package are derived by thermal simulations based on JEDEC-standard methodology as specified in the JESD51 series. The following assumptions are used in the simulations:
  - (a) The exposed pad is connected to the PCB ground layer through a 2x2 thermal via array.
  - (b) The top and bottom copper layers are assumed to have a 20% thermal conductivity of copper representing a 20% copper coverage.
  - (c) This data were generated with only a single device at the center of a JEDEC high-K (2s2p) board with 3in x 3in copper area. To understand the effects of the copper area on thermal performance, refer to the [Power Dissipation](#) and [Estimating Junction Temperature](#) sections.
- (3) The junction-to-ambient thermal resistance under natural convection is obtained in a simulation on a JEDEC-standard, high-K board, as specified in JESD51-7, in an environment described in JESD51-2a.
- (4) The junction-to-case (top) thermal resistance is obtained by simulating a cold plate test on the top of the package. No specific JEDEC-standard test exists, but a close description can be found in the ANSI SEMI standard G30-88.
- (5) The junction-to-board thermal resistance is obtained by simulating in an environment with a ring cold plate fixture to control the PCB temperature, as described in JESD51-8.
- (6) The junction-to-top characterization parameter,  $\psi_{JT}$ , estimates the junction temperature of a device in a real system and is extracted from the simulation data to obtain  $\theta_{JA}$  using a procedure described in JESD51-2a (sections 6 and 7).
- (7) The junction-to-board characterization parameter,  $\psi_{JB}$ , estimates the junction temperature of a device in a real system and is extracted from the simulation data to obtain  $\theta_{JA}$  using a procedure described in JESD51-2a (sections 6 and 7).
- (8) The junction-to-case (bottom) thermal resistance is obtained by simulating a cold plate test on the exposed (power) pad. No specific JEDEC standard test exists, but a close description can be found in the ANSI SEMI standard G30-88.

## ELECTRICAL CHARACTERISTICS

Over the operating temperature range of  $T_J = -40^\circ\text{C}$  to  $+125^\circ\text{C}$ ,  $V_{IN} = V_{OUT(TYP)} + 0.5\text{V}$  or  $2.2\text{V}$  (whichever is greater),  $I_{OUT} = 1\text{mA}$ ,  $V_{EN} = 2.2\text{V}$ ,  $C_{OUT} = 4.7\mu\text{F}$ , and  $C_{NR} = 0.01\mu\text{F}$ , unless otherwise noted. TPS7A8001 is tested at  $V_{OUT} = 0.8\text{V}$  and  $V_{OUT} = 6.0\text{V}$ . Typical values are at  $T_J = +25^\circ\text{C}$ .

PARAMETER		TEST CONDITIONS	TPS7A80xx			UNIT
			MIN	TYP	MAX	
$V_{IN}$	Input voltage range <sup>(1)</sup>		2.2		6.5	V
$V_{NR}$	Internal reference		0.790	0.800	0.810	V
$V_{OUT}$	Output voltage range	TPS7A80xx (fixed versions)	0.8		5.0	V
		TPS7A8001 (adjustable version)	0.8		6.0	V
	Output accuracy <sup>(2)</sup>	$V_{OUT} + 0.5\text{V} \leq V_{IN} \leq 6.0\text{V}$ , $V_{IN} \geq 2.5\text{V}$ , $100\text{mA} \leq I_{OUT} \leq 500\text{mA}$ , $0^\circ\text{C} \leq T_J \leq 85^\circ\text{C}$	-2.0		+2.0	%
		$V_{OUT} + 0.5\text{V} \leq V_{IN} \leq 6.5\text{V}$ , $V_{IN} \geq 2.2\text{V}$ , $100\text{mA} \leq I_{OUT} \leq 1\text{A}$	-3.0	$\pm 0.3$	+3.0	%
$\Delta V_{OUT}/\Delta V_{IN}$	Line regulation	$V_{OUT(NOM)} + 0.5\text{V} \leq V_{IN} \leq 6.5\text{V}$ , $V_{IN} \geq 2.2\text{V}$ , $I_{OUT} = 100\text{mA}$		150		$\mu\text{V}/\text{V}$
$\Delta V_{OUT}/\Delta I_{OUT}$	Load regulation	$100\text{mA} \leq I_{OUT} \leq 1\text{A}$		2		$\mu\text{V}/\text{mA}$
$V_{DO}$	Dropout voltage <sup>(3)</sup>	$V_{OUT} + 0.5\text{V} \leq V_{IN} \leq 6.5\text{V}$ , $V_{IN} \geq 2.2\text{V}$ , $I_{OUT} = 500\text{mA}$ , $V_{FB} = \text{GND}$ or $V_{SNS} = \text{GND}$			250	mV
		$V_{OUT} + 0.5\text{V} \leq V_{IN} \leq 6.5\text{V}$ , $V_{IN} \geq 2.5\text{V}$ , $I_{OUT} = 750\text{mA}$ , $V_{FB} = \text{GND}$ or $V_{SNS} = \text{GND}$			350	mV
		$V_{OUT} + 0.5\text{V} \leq V_{IN} \leq 6.5\text{V}$ , $V_{IN} \geq 2.5\text{V}$ , $I_{OUT} = 1\text{A}$ , $V_{FB} = \text{GND}$ or $V_{SNS} = \text{GND}$			500	mV
$I_{CL}$	Output current limit	$V_{OUT} = 0.85 \times V_{OUT(NOM)}$ , $V_{IN} \geq 3.3\text{V}$	1100	1400	2000	mA
$I_{GND}$	Ground pin current	$I_{OUT} = 1\text{mA}$		60	100	$\mu\text{A}$
		$I_{OUT} = 1\text{A}$			350	$\mu\text{A}$
$I_{SHDN}$	Shutdown current ( $I_{GND}$ )	$V_{EN} \leq 0.4\text{V}$ , $V_{IN} \geq 2.2\text{V}$ , $R_L = 1\text{k}\Omega$ , $0^\circ\text{C} \leq T_J \leq 85^\circ\text{C}$		0.20	2	$\mu\text{A}$
$I_{FB}$	Feedback pin current	TPS7A8001 (adjustable), $V_{IN} = 6.5\text{V}$ , $V_{FB} = 0.8\text{V}$		0.02	1.0	$\mu\text{A}$
$I_{SNS}$	Sense pin current	TPS7A80xx (fixed), $V_{IN} = 6.5\text{V}$ , $V_{SNS} = V_{OUT(NOM)}$		0.02	1.0	$\mu\text{A}$
PSRR	Power-supply rejection ratio	$V_{IN} = 4.3\text{V}$ , $V_{OUT} = 3.3\text{V}$ , $I_{OUT} = 750\text{mA}$	$f = 100\text{Hz}$	48		dB
			$f = 1\text{kHz}$	63		dB
			$f = 10\text{kHz}$	63		dB
			$f = 100\text{kHz}$	57		dB
			$f = 1\text{MHz}$	38		dB
$V_N$	Output noise voltage	BW = 100Hz to 100kHz, $V_{IN} = 4.3\text{V}$ , $V_{OUT} = 3.3\text{V}$ , $I_{OUT} = 100\text{mA}$	$C_{NR} = 0.001\mu\text{F}$	$15.6 \times V_{OUT}$		$\mu\text{V}_{RMS}$
			$C_{NR} = 0.01\mu\text{F}$	$15.6 \times V_{OUT}$		$\mu\text{V}_{RMS}$
			$C_{NR} = 0.1\mu\text{F}$	$15.1 \times V_{OUT}$		$\mu\text{V}_{RMS}$
$V_{EN(HI)}$	Enable high (enabled)	$2.2\text{V} \leq V_{IN} \leq 3.6\text{V}$ , $R_L = 1\text{k}\Omega$	1.2			V
		$3.6\text{V} < V_{IN} \leq 6.5\text{V}$ , $R_L = 1\text{k}\Omega$	1.35			V
$V_{EN(LO)}$	Enable low (shutdown)	$R_L = 1\text{k}\Omega$	0		0.4	V
$I_{EN(HI)}$	Enable pin current, enabled	$V_{IN} = V_{EN} = 6.5\text{V}$		0.02	1.0	$\mu\text{A}$
$t_{STR}$	Startup time	$V_{OUT(NOM)} = 3.3\text{V}$ , $V_{OUT} = 0\%$ to $90\% V_{OUT(NOM)}$ , $R_L = 3.3\text{k}\Omega$ , $C_{OUT} = 4.7\mu\text{F}$	$C_{NR} = 1\text{nF}$	0.1		ms
			$C_{NR} = 10\text{nF}$	1.6		ms
UVLO	Undervoltage lockout	$V_{IN}$ rising, $R_L = 1\text{k}\Omega$	1.86	2	2.10	V
	Hysteresis	$V_{IN}$ falling, $R_L = 1\text{k}\Omega$		75		mV
$T_{SD}$	Thermal shutdown temperature	Shutdown, temperature increasing		+160		$^\circ\text{C}$
		Reset, temperature decreasing		+140		$^\circ\text{C}$
$T_J$	Operating junction temperature		-40		+125	$^\circ\text{C}$

(1) Minimum  $V_{IN} = V_{OUT} + V_{DO}$  or  $2.2\text{V}$ , whichever is greater.

(2) As for TPS7A8001 (adjustable); it does not include external resistor tolerances and it is not tested at this condition:  $V_{OUT} = 0.8\text{V}$ ,  $4.5\text{V} \leq V_{IN} \leq 6.5\text{V}$ , and  $750\text{mA} \leq I_{OUT} \leq 1\text{A}$  because of power dissipation higher than maximum rating of the package.

(3)  $V_{DO}$  is not measured for fixed output voltage devices with  $V_{OUT} < 1.7\text{V}$  because minimum  $V_{IN} = 2.2\text{V}$ .

FUNCTIONAL BLOCK DIAGRAMS

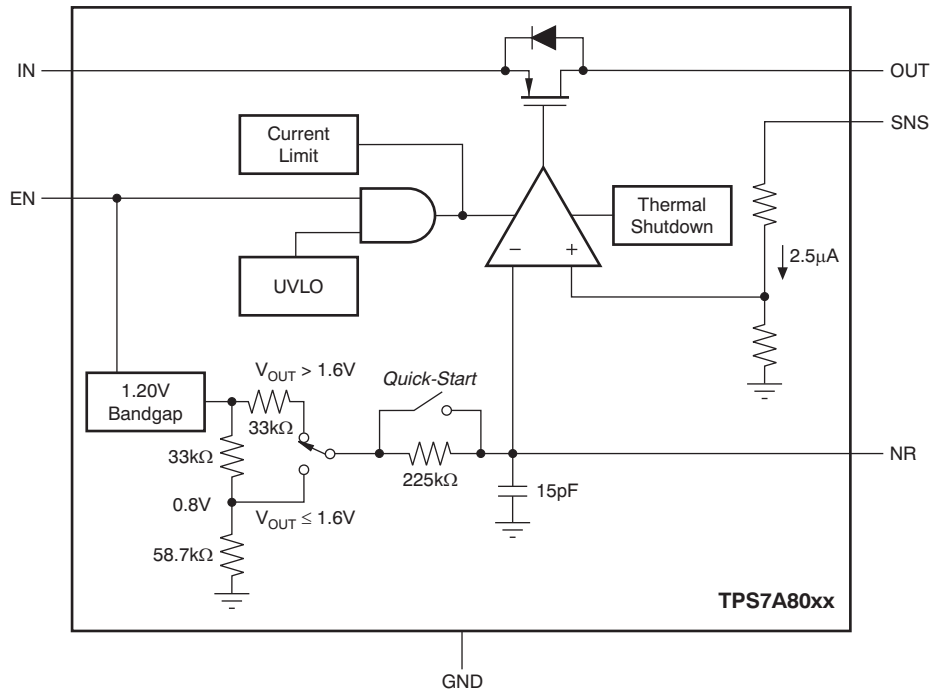


Figure 1. Fixed Voltage Versions

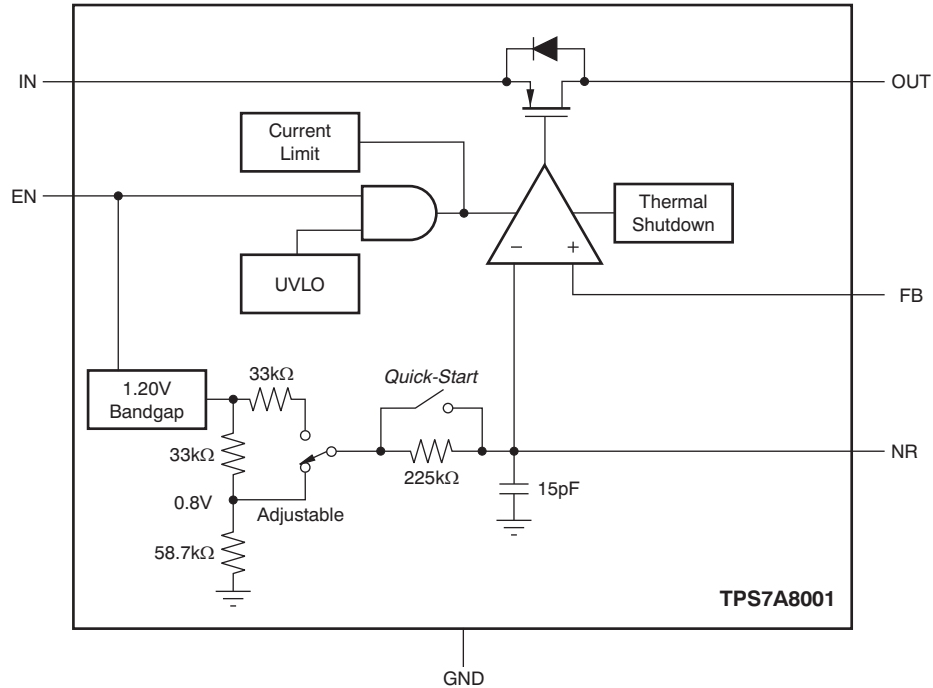
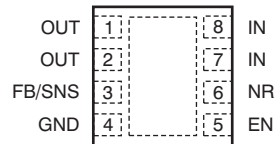


Figure 2. Adjustable Voltage Version

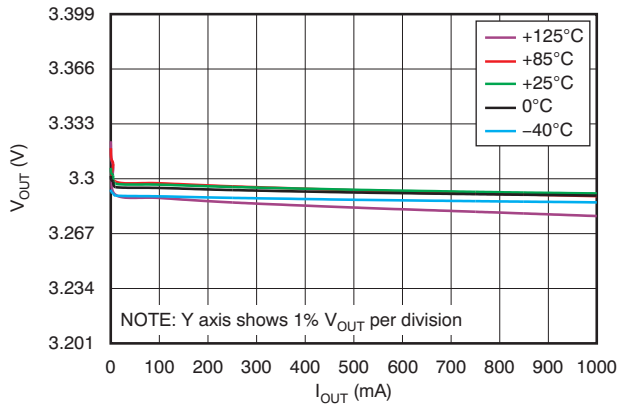
**PIN CONFIGURATION**
**DRB PACKAGE**  
**3mm x 3mm SON-8**  
**(TOP VIEW)**
**Table 1. PIN DESCRIPTIONS**

NAME	PIN NO.	DESCRIPTION
IN	7, 8	Unregulated input supply.
GND	4, pad	Ground.
EN	5	Driving the enable pin (EN) high turns on the regulator. Driving this pin low puts the regulator into shutdown mode. Refer to <a href="#">Shutdown</a> in the <a href="#">Application Information</a> section for more details. EN must not be left floating and can be connected to IN if not used.
NR	6	Connect an external capacitor between this pin and ground to reduce output noise to very low levels. Also, the capacitor slows down the $V_{OUT}$ ramp (RC softstart).
FB	3	<b>Adjustable voltage version only.</b> This pin is the input to the control loop error amplifier and is used to set the output voltage of the device.
SNS	3	<b>Fixed voltage versions only.</b> This pin is the input to the control loop error amplifier and is used to set the output voltage of the device. This pin is to be shorted to OUT at load devices.
OUT	1, 2	Regulator output. A 4.7 $\mu$ F or larger capacitor of any type is required for stability.

**TYPICAL CHARACTERISTICS: TPS7A8001**

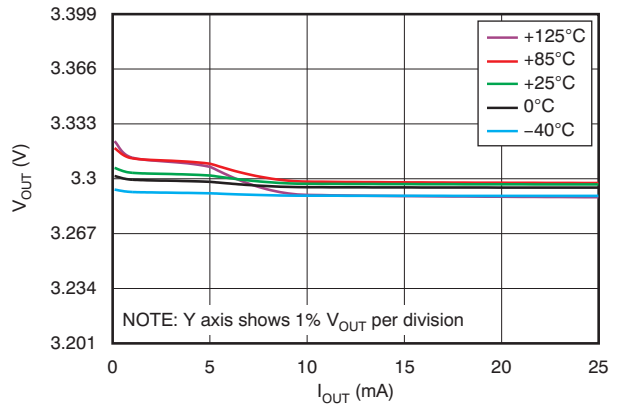
At  $V_{OUT(TYP)} = 3.3V$ ,  $V_{IN} = V_{OUT(TYP)} + 0.5V$  or  $2.2V$  (whichever is greater),  $I_{OUT} = 100mA$ ,  $V_{EN} = V_{IN}$ ,  $C_{IN} = 1\mu F$ ,  $C_{OUT} = 4.7\mu F$ , and  $C_{NR} = 0.01\mu F$ , all temperature values refer to  $T_J$ , unless otherwise noted.

**LOAD REGULATION**



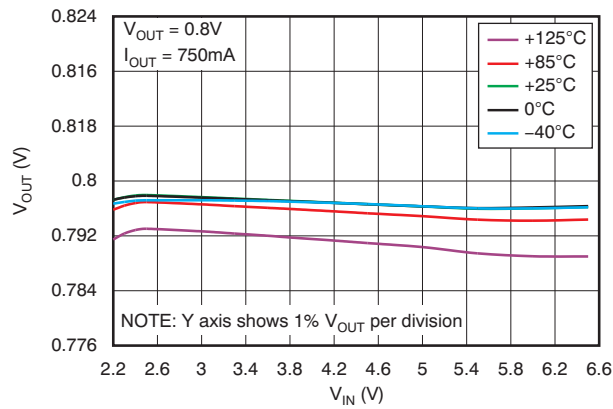
**Figure 3.**

**LOAD REGULATION UNDER LIGHT LOADS**



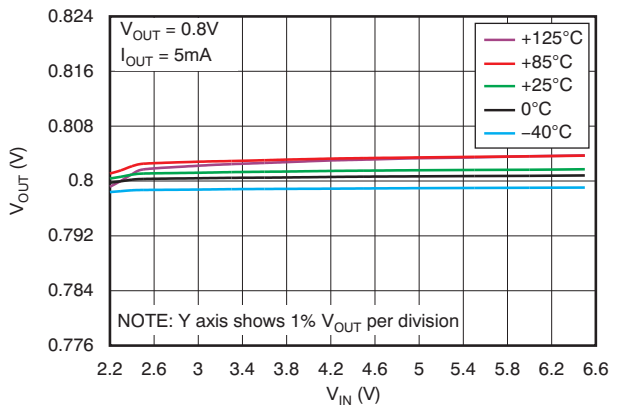
**Figure 4.**

**LINE REGULATION**



**Figure 5.**

**LINE REGULATION UNDER LIGHT LOADS**



**Figure 6.**

**TYPICAL CHARACTERISTICS: TPS7A8001 (continued)**

At  $V_{OUT(TYP)} = 3.3V$ ,  $V_{IN} = V_{OUT(TYP)} + 0.5V$  or  $2.2V$  (whichever is greater),  $I_{OUT} = 100mA$ ,  $V_{EN} = V_{IN}$ ,  $C_{IN} = 1\mu F$ ,  $C_{OUT} = 4.7\mu F$ , and  $C_{NR} = 0.01\mu F$ , all temperature values refer to  $T_J$ , unless otherwise noted.

**DROPOUT VOLTAGE vs INPUT VOLTAGE**

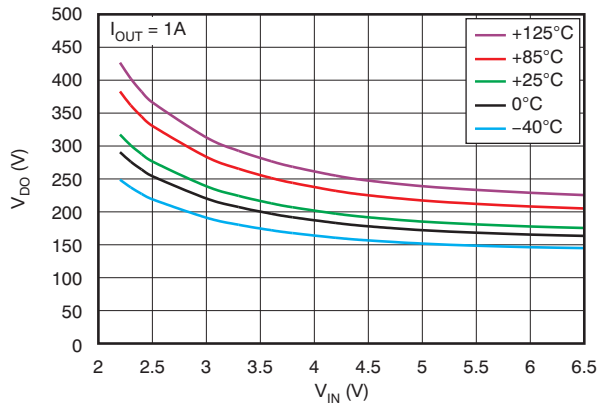


Figure 7.

**DROPOUT VOLTAGE vs INPUT VOLTAGE**

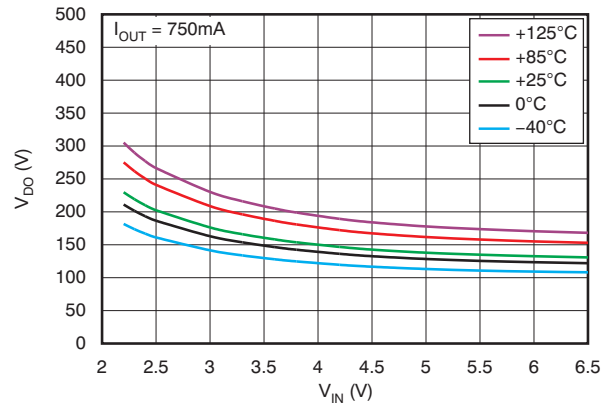


Figure 8.

**DROPOUT VOLTAGE vs INPUT VOLTAGE**

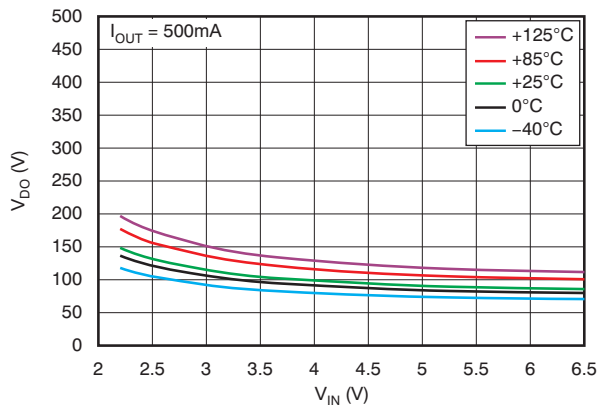


Figure 9.

**DROPOUT VOLTAGE vs LOAD CURRENT**

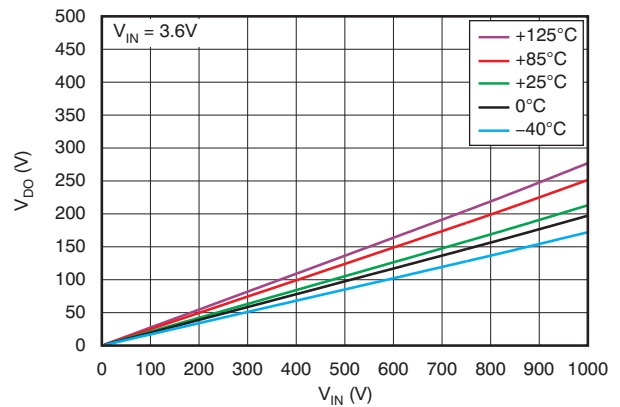


Figure 10.

**DROPOUT VOLTAGE vs TEMPERATURE**

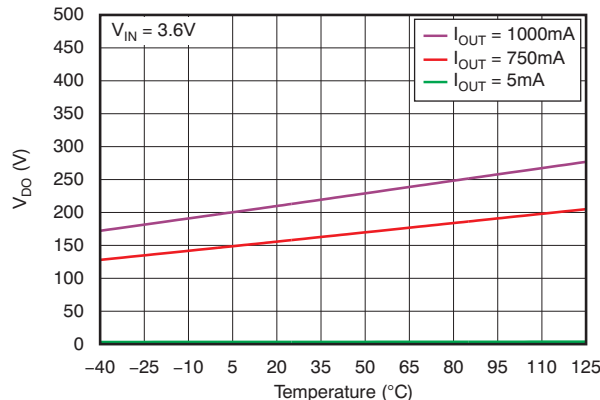


Figure 11.



**TYPICAL CHARACTERISTICS: TPS7A8001 (continued)**

At  $V_{OUT(TYP)} = 3.3V$ ,  $V_{IN} = V_{OUT(TYP)} + 0.5V$  or  $2.2V$  (whichever is greater),  $I_{OUT} = 100mA$ ,  $V_{EN} = V_{IN}$ ,  $C_{IN} = 1\mu F$ ,  $C_{OUT} = 4.7\mu F$ , and  $C_{NR} = 0.01\mu F$ , all temperature values refer to  $T_J$ , unless otherwise noted.

**GROUND PIN CURRENT vs INPUT VOLTAGE**

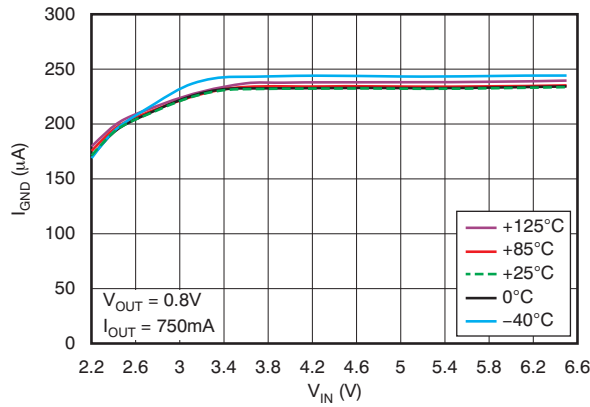


Figure 12.

**GROUND PIN CURRENT vs LOAD CURRENT**

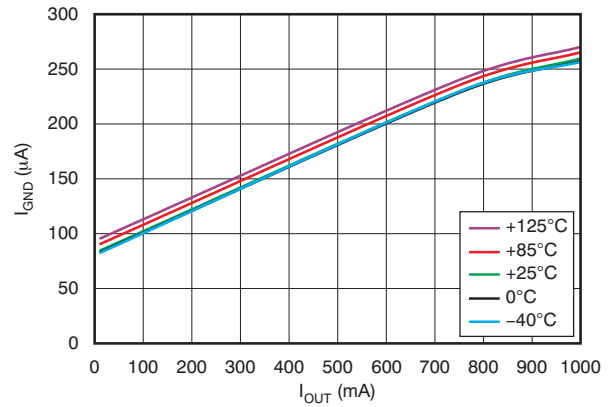


Figure 13.

**SHUTDOWN CURRENT vs TEMPERATURE**

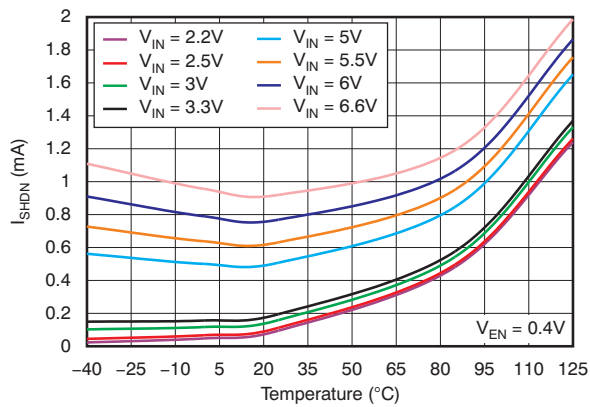


Figure 14.

**CURRENT LIMIT vs TEMPERATURE**

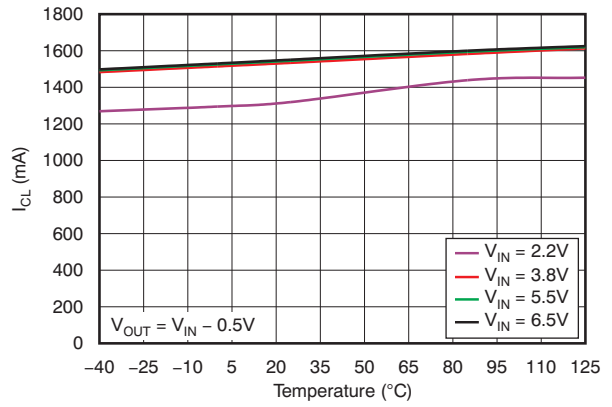


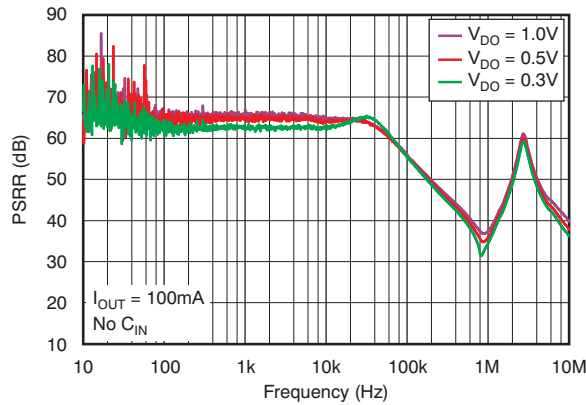
Figure 15.

[查询TPS7A8001 数据手册](#)

**TYPICAL CHARACTERISTICS: TPS7A8001 (continued)**

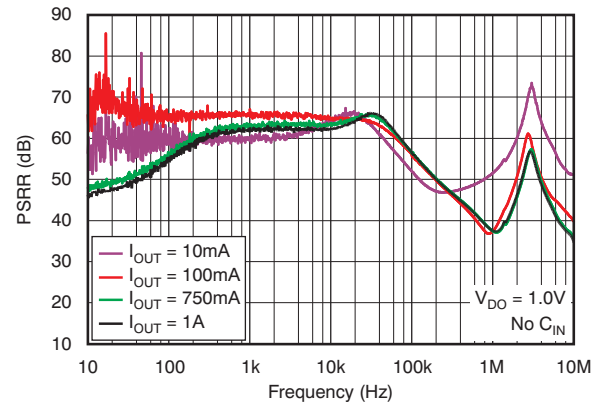
At  $V_{OUT(TYP)} = 3.3V$ ,  $V_{IN} = V_{OUT(TYP)} + 0.5V$  or  $2.2V$  (whichever is greater),  $I_{OUT} = 100mA$ ,  $V_{EN} = V_{IN}$ ,  $C_{IN} = 1\mu F$ ,  $C_{OUT} = 4.7\mu F$ , and  $C_{NR} = 0.01\mu F$ ,  $T_J = 25^\circ C$ , unless otherwise noted.

**POWER-SUPPLY RIPPLE REJECTION vs FREQUENCY**



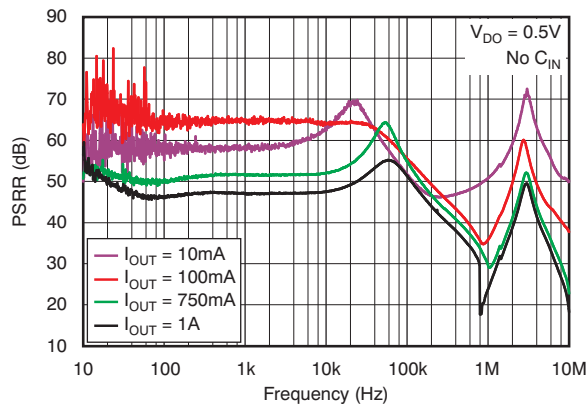
**Figure 16.**

**POWER-SUPPLY RIPPLE REJECTION vs FREQUENCY**



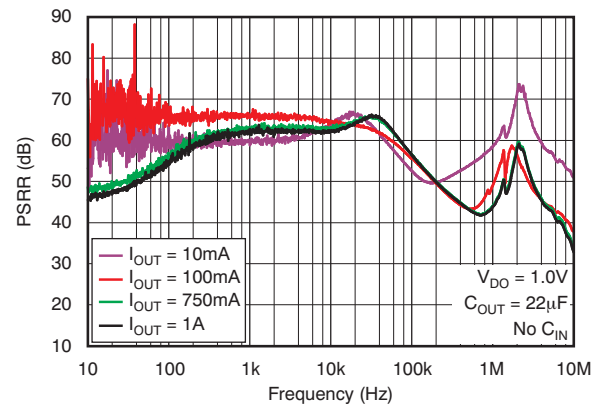
**Figure 17.**

**POWER-SUPPLY RIPPLE REJECTION vs FREQUENCY**



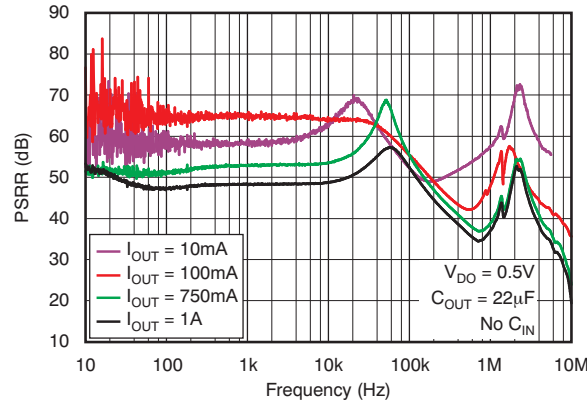
**Figure 18.**

**POWER-SUPPLY RIPPLE REJECTION vs FREQUENCY**



**Figure 19.**

**POWER-SUPPLY RIPPLE REJECTION vs FREQUENCY**



**Figure 20.**

TYPICAL CHARACTERISTICS: TPS7A8001 (continued)

At  $V_{OUT(TYP)} = 3.3V$ ,  $V_{IN} = V_{OUT(TYP)} + 0.5V$  or  $2.2V$  (whichever is greater),  $I_{OUT} = 100mA$ ,  $V_{EN} = V_{IN}$ ,  $C_{IN} = 1\mu F$ ,  $C_{OUT} = 4.7\mu F$ , and  $C_{NR} = 0.01\mu F$ ,  $T_J = 25^\circ C$ , unless otherwise noted.

POWER-SUPPLY RIPPLE REJECTION vs DROPOUT VOLTAGE

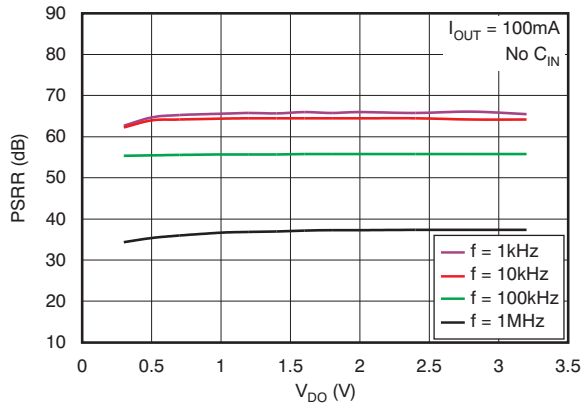


Figure 21.

POWER-SUPPLY RIPPLE REJECTION vs DROPOUT VOLTAGE

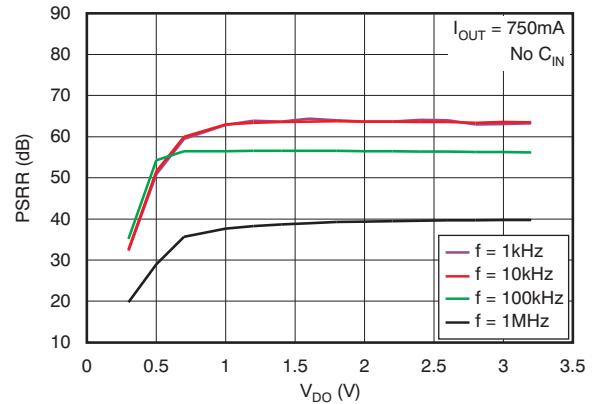


Figure 22.

OUTPUT SPECTRAL NOISE DENSITY vs FREQUENCY

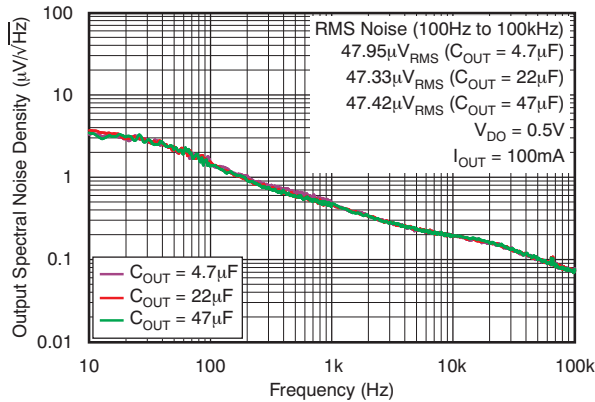


Figure 23.

OUTPUT SPECTRAL NOISE DENSITY vs FREQUENCY

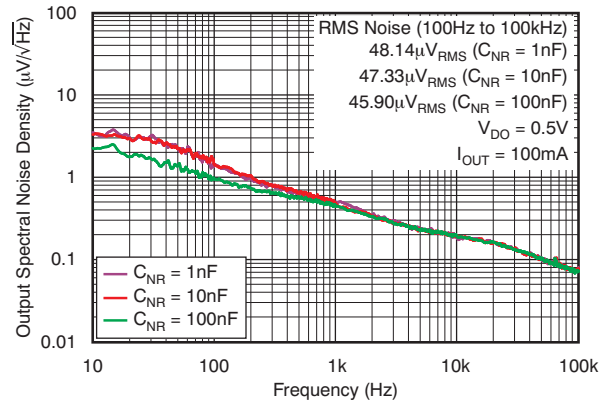


Figure 24.

OUTPUT SPECTRAL NOISE DENSITY vs FREQUENCY

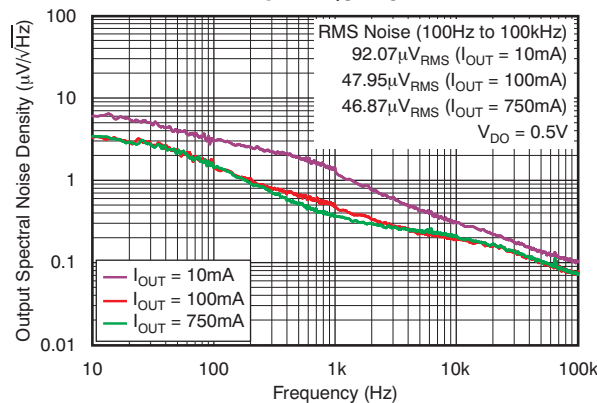


Figure 25.

**TYPICAL CHARACTERISTICS: TPS7A8001 (continued)**

At  $V_{OUT(TYP)} = 3.3V$ ,  $V_{IN} = V_{OUT(TYP)} + 0.5V$  or  $2.2V$  (whichever is greater),  $I_{OUT} = 100mA$ ,  $V_{EN} = V_{IN}$ ,  $C_{IN} = 1\mu F$ ,  $C_{OUT} = 4.7\mu F$ , and  $C_{NR} = 0.01\mu F$ ,  $T_J = 25^\circ C$ , unless otherwise noted.

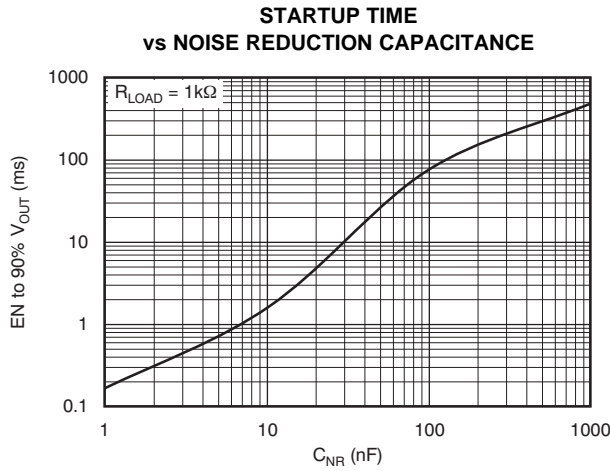


Figure 26.

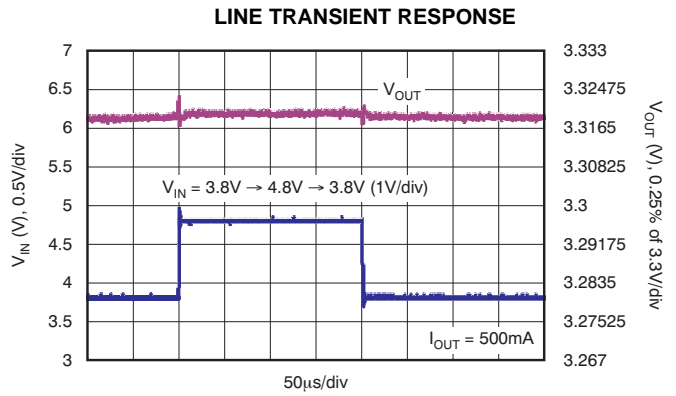


Figure 27.

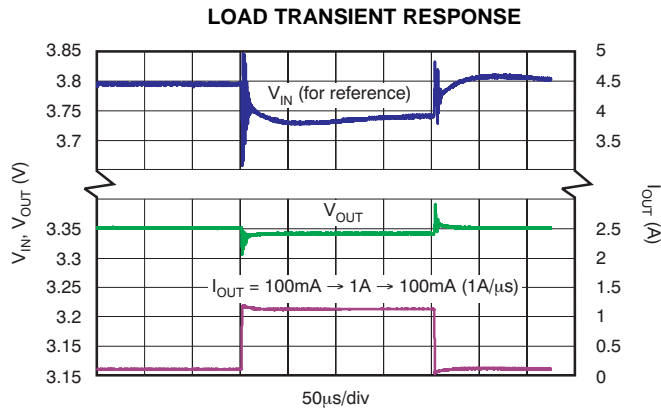


Figure 28.

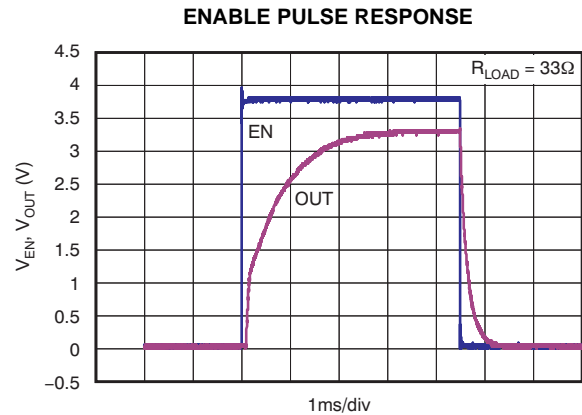


Figure 29.

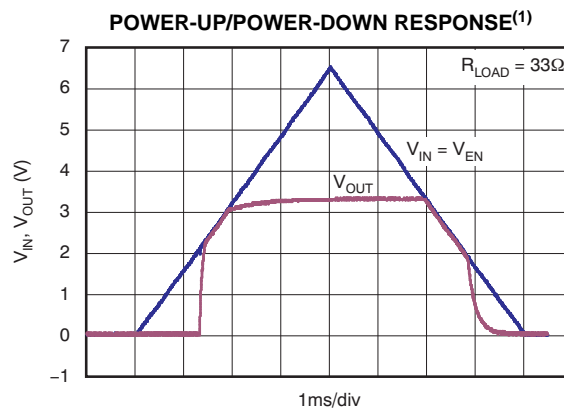


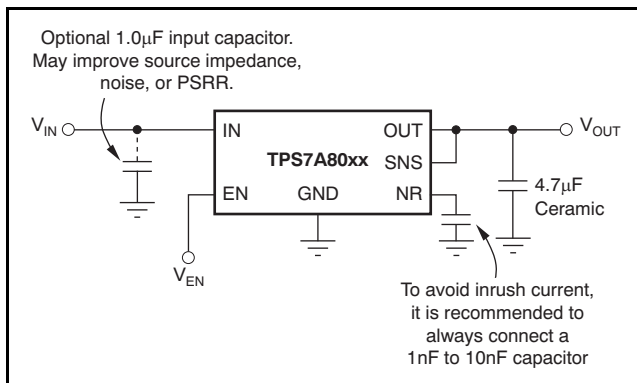
Figure 30.

(1) The internal reference requires approximately 2ms of rampup time (see [Startup](#)); therefore,  $V_{OUT}$  fully reaches the target output voltage of 3.3V in 2ms from startup.

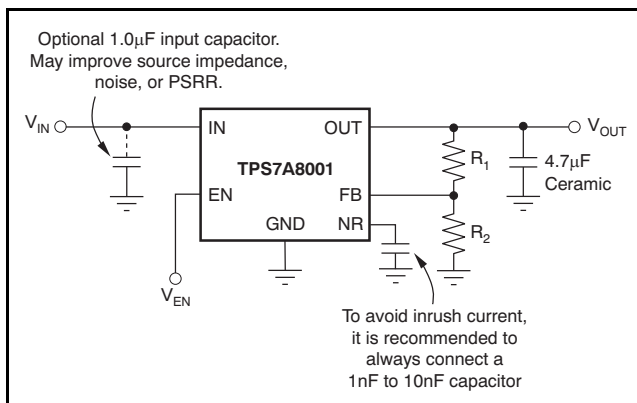
## APPLICATION INFORMATION

The TPS7A80xx belongs to a family of new generation LDO regulators that use innovative circuitry to achieve wide bandwidth and high loop gain, resulting in extremely high PSRR (over a 1MHz range) at very low headroom ( $V_{IN} - V_{OUT}$ ). A noise reduction capacitor ( $C_{NR}$ ) at the NR pin bypasses noise generated by the bandgap reference in order to improve PSRR, while a quick-start circuit fast-charges this capacitor. This family of regulators offers sub-bandgap output voltages, current limit, and thermal protection, and is fully specified from  $-40^{\circ}\text{C}$  to  $+125^{\circ}\text{C}$ .

Figure 31 shows the basic circuit connections for the fixed voltage options. Figure 32 gives the connections for the adjustable output version (TPS7A8001).



**Figure 31. Typical Application Circuit (Fixed Voltage Versions)**



**Figure 32. Typical Application Circuit (Adjustable Voltage Version)**

For the adjustable version (TPS7A8001), the voltage on the FB pin sets the output voltage and is determined by the values of  $R_1$  and  $R_2$ . The values of  $R_1$  and  $R_2$  can be calculated for any voltage using the formula given in Equation 1:

$$V_{OUT} = \frac{(R_1 + R_2)}{R_2} \times 0.800 \quad (1)$$

Sample resistor values for common output voltages are shown in Table 2. In Table 2, E96 series resistors are used, and all values meet 1% of the target  $V_{OUT}$ , assuming resistors with zero error. For the actual design, pay attention to any resistor error factors. Using lower values for  $R_1$  and  $R_2$  reduces the noise injected from the FB pin.

**Table 2. Sample 1% Resistor Values for Common Output Voltages**

$V_{OUT}$	$R_1$	$R_2$
0.8V	0Ω (Short)	10.0kΩ
1.0V	2.49kΩ	10.0kΩ
1.2V	4.99kΩ	10.0kΩ
1.5V	8.87kΩ	10.0kΩ
1.8V	12.5kΩ	10.0kΩ
2.5V	21.0kΩ	10.0kΩ
3.3V	30.9kΩ	10.0kΩ
5.0V	52.3kΩ	10.0kΩ

### Input and Output Capacitor Requirements

Although an input capacitor is not required for stability, it is good analog design practice to connect a  $0.1\mu\text{F}$  to  $1.0\mu\text{F}$  low equivalent series resistance (ESR) capacitor across the input supply near the regulator. This capacitor counteracts reactive input sources and improves transient response, noise rejection, and ripple rejection. A higher-value capacitor may be necessary if large, fast rise-time load transients are anticipated or if the device is located several inches from the power source. If source impedance is not sufficiently low, a  $0.1\mu\text{F}$  input capacitor may be necessary to ensure stability.

The TPS7A80xx is designed to be stable with standard ceramic capacitors of capacitance values  $4.7\mu\text{F}$  or larger. This device is evaluated using a  $4.7\mu\text{F}$  ceramic capacitor of 10V rating, 10% tolerance, X5R type, and 0805 size (2.0mm x 1.25mm).

X5R- and X7R-type capacitors are highly recommended because they have minimal variation in value and ESR over temperature. Maximum ESR should be  $<1.0\Omega$ .

## 查询 TPS7A8001 伏压商

The TPS7A80xx implements an innovative internal compensation circuit that does not require a feedback capacitor across  $R_2$  for stability. A feedback capacitor should not be used for this device.

### Output Noise

In most LDOs, the bandgap is the dominant noise source. If a noise reduction capacitor ( $C_{NR}$ ) is used with the TPS7A80xx, the bandgap does not contribute significantly to noise. Instead, noise is dominated by the output resistor divider and the error amplifier input. To minimize noise in a given application, use a  $0.01\mu\text{F}$  (minimum) noise-reduction capacitor.

Equation 2 approximates the total noise when  $C_{NR} = 0.01\mu\text{F}$ :

$$V_N = 15.6 (V_{RMS}/V) \times V_{OUT} \quad (2)$$

### Board Layout Recommendations to Improve PSRR and Noise Performance

To improve ac performance such as PSRR, output noise, and transient response, it is recommended that the board be designed with separate ground planes for  $V_{IN}$  and  $V_{OUT}$ , with each ground plane connected only at the GND pin of the device. In addition, the ground connection for the bypass capacitor should connect directly to the GND pin of the device.

### Internal Current Limit

The TPS7A80xx internal current limit helps protect the regulator during fault conditions. During current limit, the output sources a fixed amount of current that is largely independent of output voltage. For reliable operation, the device should not be operated in a current limit state for extended periods of time.

The PMOS pass element in the TPS7A80xx has a built-in body diode that conducts current when the voltage at OUT exceeds the voltage at IN. This current is not limited, so if extended reverse voltage operation is anticipated, external limiting may be appropriate.

### Shutdown

The enable pin (EN) is active high and is compatible with standard and low voltage, TTL-CMOS levels. When shutdown capability is not required, EN can be connected to IN.

### Dropout Voltage

The TPS7A80xx uses a PMOS pass transistor to achieve low dropout. When  $(V_{IN} - V_{OUT})$  is less than the dropout voltage ( $V_{DO}$ ), the PMOS pass device is in its linear region of operation and the input-to-output resistance is the  $R_{DS(ON)}$  of the PMOS pass element.  $V_{DO}$  scales approximately with output current because the PMOS device in dropout behaves the same way as a resistor.

As with any linear regulator, PSRR and transient response are degraded as  $(V_{IN} - V_{OUT})$  approaches dropout. This effect is shown in Figure 21 and Figure 22 in the *Typical Characteristics* section.

### Startup

Through a lower resistance, the bandgap reference can quickly charge the noise reduction capacitor ( $C_{NR}$ ). The TPS7A80xx has a *quick-start* circuit to quickly charge  $C_{NR}$ , if present; see the *Functional Block Diagrams*. At startup, this quick-start switch is closed, with only  $33\text{k}\Omega$  of resistance between the bandgap reference and the NR pin. The quick-start switch opens approximately 2ms after any device enabling event, and the resistance between the bandgap reference and the NR pin becomes higher in value (approximately  $250\text{k}\Omega$ ) to form a very good low-pass (RC) filter. This low-pass filter achieves very good noise reduction for the reference voltage.

Inrush current can be a problem in many applications. The  $33\text{k}\Omega$  resistance during the startup period is intentionally put there to slow down the reference voltage ramp up, thus reducing the inrush current. For example, the capacitance of connecting the recommended  $C_{NR}$  value of  $0.01\mu\text{F}$  along with the  $33\text{k}\Omega$  resistance causes approximately 1ms RC delay. Startup time with the other  $C_{NR}$  values can be calculated as:

$$t_{STR} (s) = 76,000 \times C_{NR} (F) \quad (3)$$

Although the noise reduction effect is nearly saturated at  $0.01\mu\text{F}$ , connecting a  $C_{NR}$  value greater than  $0.01\mu\text{F}$  can help reduce noise slightly more; however, startup time will be extremely long because the quick-start switch opens after approximately 2ms. That is, if  $C_{NR}$  is not fully charged during this 2ms period,  $C_{NR}$  finishes charging through a higher resistance of  $250\text{k}\Omega$ , and takes much longer to fully charge.

Note that a low leakage  $C_{NR}$  should be used; most ceramic capacitors are suitable.

### Transient Response

As with any regulator, increasing the size of the output capacitor reduces over/undershoot magnitude but increases duration of the transient response.

## Undervoltage Lock-Out (UVLO)

The TPS7A80xx utilizes an undervoltage lock-out circuit to keep the output shut off until the internal circuitry is operating properly. The UVLO circuit has a de-glitch feature so that it typically ignores undershoot transients on the input if they are less than 50µs duration.

## Minimum Load

The TPS7A80xx is stable and well-behaved with no output load. Traditional PMOS LDO regulators suffer from lower loop gain at very light output loads. The TPS7A80xx employs an innovative low-current mode circuit to increase loop gain under very light or no-load conditions, resulting in improved output voltage regulation performance down to zero output current.

## THERMAL INFORMATION

### Thermal Protection

Thermal protection disables the output when the junction temperature rises to approximately +160°C, allowing the device to cool. When the junction temperature cools to approximately +140°C the output circuitry is again enabled. Depending on power dissipation, thermal resistance, and ambient temperature, the thermal protection circuit may cycle on and off. This cycling limits the dissipation of the regulator, protecting it from damage because of overheating.

Any tendency to activate the thermal protection circuit indicates excessive power dissipation or an inadequate heatsink. For reliable operation, junction temperature should be limited to +125°C maximum. To estimate the margin of safety in a complete design (including heatsink), increase the ambient temperature until the thermal protection is triggered; use worst-case loads and signal conditions. For good reliability, thermal protection should trigger at least +35°C above the maximum expected ambient condition of your particular application. This configuration produces a worst-case junction temperature of +125°C at the highest expected ambient temperature and worst-case load.

The internal protection circuitry of the TPS7A80xx has been designed to protect against overload conditions. It was not intended to replace proper heatsinking. Continuously running the TPS7A80xx into thermal shutdown degrades device reliability.

### Power Dissipation

Knowing the device power dissipation and proper sizing of the thermal plane that is connected to the tab or pad is critical to avoiding thermal shutdown and ensuring reliable operation.

Power dissipation of the device depends on input voltage and load conditions and can be calculated using [Equation 4](#):

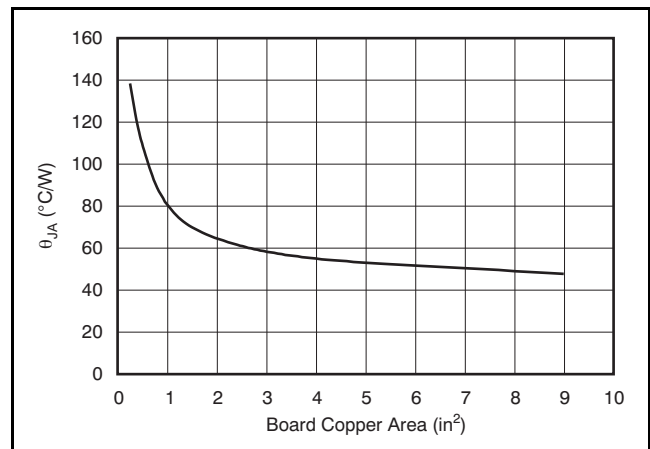
$$P_D = (V_{IN} - V_{OUT}) \times I_{OUT} \quad (4)$$

Power dissipation can be minimized and greater efficiency can be achieved by using the lowest possible input voltage necessary to achieve the required output voltage regulation.

On the SON (DRB) package, the primary conduction path for heat is through the exposed pad to the printed circuit board (PCB). The pad can be connected to ground or be left floating; however, it should be attached to an appropriate amount of copper PCB area to ensure the device does not overheat. The maximum junction-to-ambient thermal resistance depends on the maximum ambient temperature, maximum device junction temperature, and power dissipation of the device and can be calculated using [Equation 5](#):

$$R_{\theta JA} = \frac{(+125^{\circ}\text{C} - T_A)}{P_D} \quad (5)$$

Knowing the maximum  $R_{\theta JA}$ , the minimum amount of PCB copper area needed for appropriate heatsinking can be estimated using [Figure 33](#).



Note:  $\theta_{JA}$  value at board size of 9in<sup>2</sup> (that is, 3in x 3in) is a JEDEC standard.

**Figure 33.  $\theta_{JA}$  vs Board Size**

[Figure 33](#) shows the variation of  $\theta_{JA}$  as a function of ground plane copper area in the board. It is intended only as a guideline to demonstrate the effects of heat spreading in the ground plane and should not be used to estimate actual thermal performance in real application environments.

**NOTE:** When the device is mounted on an application PCB, it is strongly recommended to use  $\Psi_{JT}$  and  $\Psi_{JB}$ , as explained in the [Estimating Junction Temperature](#) section.

[查询TPS7A8001 价格](#)

### ESTIMATING JUNCTION TEMPERATURE

Using the thermal metrics  $\Psi_{JT}$  and  $\Psi_{JB}$ , as shown in the [Thermal Information](#) table, the junction temperature can be estimated with corresponding formulas (given in [Equation 6](#)). For backwards compatibility, an older  $\theta_{JC, Top}$  parameter is listed as well.

$$\Psi_{JT}: T_J = T_T + \Psi_{JT} \cdot P_D$$

$$\Psi_{JB}: T_J = T_B + \Psi_{JB} \cdot P_D \tag{6}$$

Where  $P_D$  is the power dissipation shown by [Equation 5](#),  $T_T$  is the temperature at the center-top of the IC package, and  $T_B$  is the PCB temperature measured 1mm away from the IC package *on the PCB surface* (as [Figure 35](#) shows).

**NOTE:** Both  $T_T$  and  $T_B$  can be measured on actual application boards using a thermo-gun (an infrared thermometer).

For more information about measuring  $T_T$  and  $T_B$ , see the application note [SBVA025, Using New Thermal Metrics](#), available for download at [www.ti.com](#).

By looking at [Figure 34](#), the new thermal metrics ( $\Psi_{JT}$  and  $\Psi_{JB}$ ) have very little dependency on board size. That is, using  $\Psi_{JT}$  or  $\Psi_{JB}$  with [Equation 6](#) is a good way to estimate  $T_J$  by simply measuring  $T_T$  or  $T_B$ , regardless of the application board size.

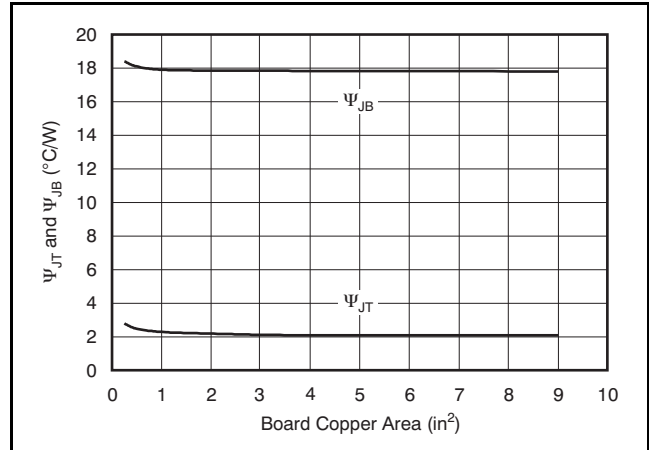


Figure 34.  $\Psi_{JT}$  and  $\Psi_{JB}$  vs Board Size

For a more detailed discussion of why TI does not recommend using  $\theta_{JC(top)}$  to determine thermal characteristics, refer to application report [SBVA025, Using New Thermal Metrics](#), available for download at [www.ti.com](#). For further information, refer to application report [SPRA953, IC Package Thermal Metrics](#), also available on the TI website.

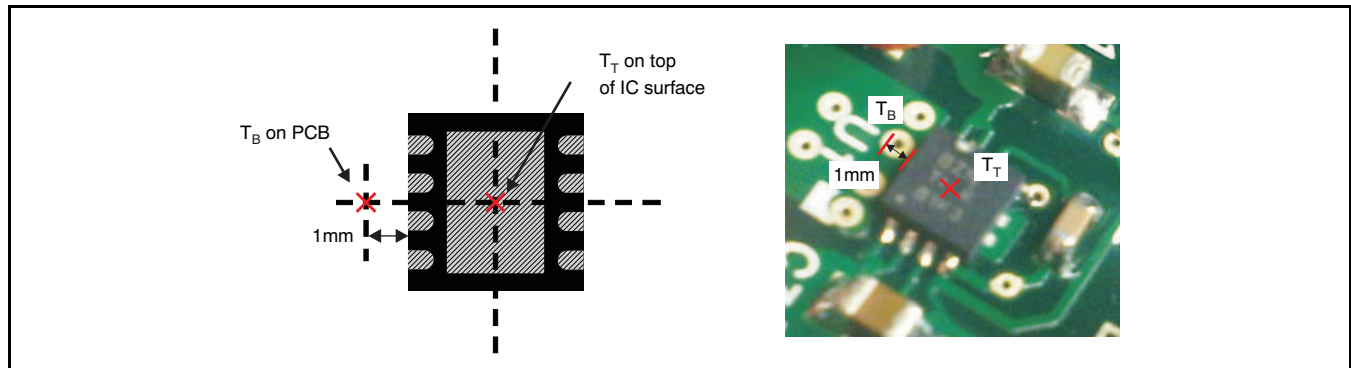


Figure 35. Measuring Points for  $T_T$  and  $T_B$



## REVISION HISTORY

NOTE: Page numbers for previous revisions may differ from page numbers in the current version.

<b>Changes from Revision B (August, 2010) to Revision C</b>	<b>Page</b>
• Changed data sheet title .....	1
• Changed <i>ultra-high PSRR</i> to <i>wide-bandwidth lgh PSRR</i> in <i>Features</i> list .....	1
• Corrected typos in <a href="#">Figure 23</a> through <a href="#">Figure 25</a> .....	11
• Revised first paragraph of <i>Application Information</i> to remove phrase <i>ultra-wide bandwidth</i> .....	13
<hr/>	
<b>Changes from Revision A (June, 2010) to Revision B</b>	<b>Page</b>
• Corrected typo in <a href="#">Figure 35</a> .....	16



www.ti.com

PACKAG

## PACKAGING INFORMATION

Orderable Device	Status <sup>(1)</sup>	Package Type	Package Drawing	Pins	Package Qty	Eco Plan <sup>(2)</sup>	Lead/ Ball Finish	MSL Peak Temp
TPS7A8001DRBR	ACTIVE	SON	DRB	8	3000	Green (RoHS & no Sb/Br)	CU NIPDAU	Level-2-2600
TPS7A8001DRBT	ACTIVE	SON	DRB	8	250	Green (RoHS & no Sb/Br)	CU NIPDAU	Level-2-2600

<sup>(1)</sup> The marketing status values are defined as follows:

**ACTIVE:** Product device recommended for new designs.

**LIFEBUY:** TI has announced that the device will be discontinued, and a lifetime-buy period is in effect.

**NRND:** Not recommended for new designs. Device is in production to support existing customers, but TI does not recommend using this part in a new design.

**PREVIEW:** Device has been announced but is not in production. Samples may or may not be available.

**OBSOLETE:** TI has discontinued the production of the device.

<sup>(2)</sup> Eco Plan - The planned eco-friendly classification: Pb-Free (RoHS), Pb-Free (RoHS Exempt), or Green (RoHS & no Sb/Br) - please check <http://www.ti.com> for more information and additional product content details.

**TBD:** The Pb-Free/Green conversion plan has not been defined.

**Pb-Free (RoHS):** TI's terms "Lead-Free" or "Pb-Free" mean semiconductor products that are compatible with the current RoHS requirements for all RoHS materials, except lead not exceed 0.1% by weight in homogeneous materials. Where designed to be soldered at high temperatures, TI Pb-Free products are suitable for use in applications that require high temperature soldering processes.

**Pb-Free (RoHS Exempt):** This component has a RoHS exemption for either 1) lead-based flip-chip solder bumps used between the die and package, or 2) lead-based eutectic solder used between the leadframe leads and the die.

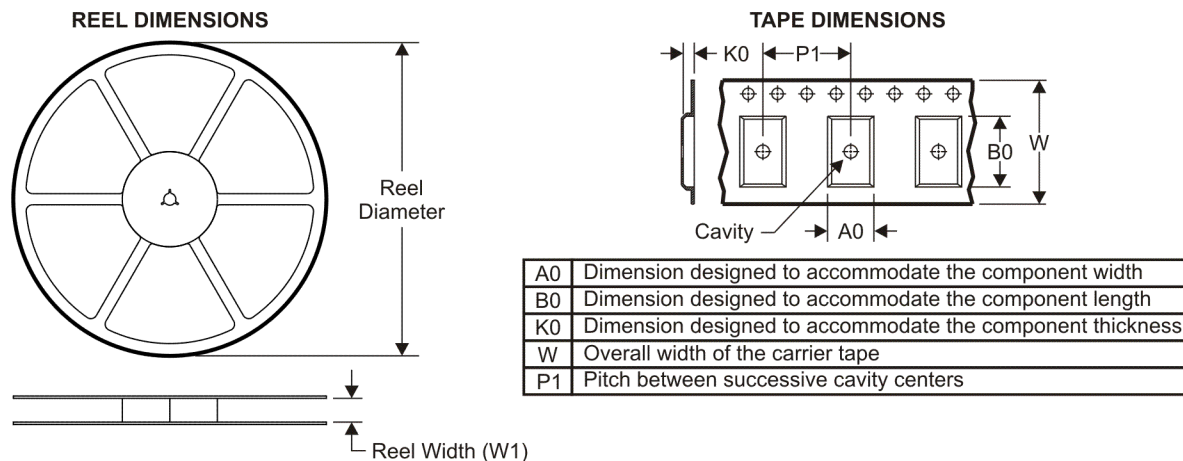
**Green (RoHS & no Sb/Br):** TI defines "Green" to mean Pb-Free (RoHS compatible), and free of Bromine (Br) and Antimony (Sb) based flame retardants (unless otherwise designated in homogeneous material).

<sup>(3)</sup> MSL, Peak Temp. -- The Moisture Sensitivity Level rating according to the JEDEC industry standard classifications, and peak solder temperature.

**Important Information and Disclaimer:** The information provided on this page represents TI's knowledge and belief as of the date that it is provided. TI disclaims any warranty, expressed or implied, for the information provided by third parties, and makes no representation or warranty as to the accuracy of such information. Efforts are underway to better integrate information from third parties. TI continues to take reasonable steps to provide representative and accurate information but may not have conducted destructive testing or chemical analysis on all materials and TI and TI suppliers consider certain information to be proprietary, and thus CAS numbers and other limited information may not be available for release. TI is not responsible for any errors or omissions in this information.

In no event shall TI's liability arising out of such information exceed the total purchase price of the TI part(s) at issue in this document sold by TI to Customer.

TAPE AND REEL INFORMATION



QUADRANT ASSIGNMENTS FOR PIN 1 ORIENTATION IN TAPE



\*All dimensions are nominal

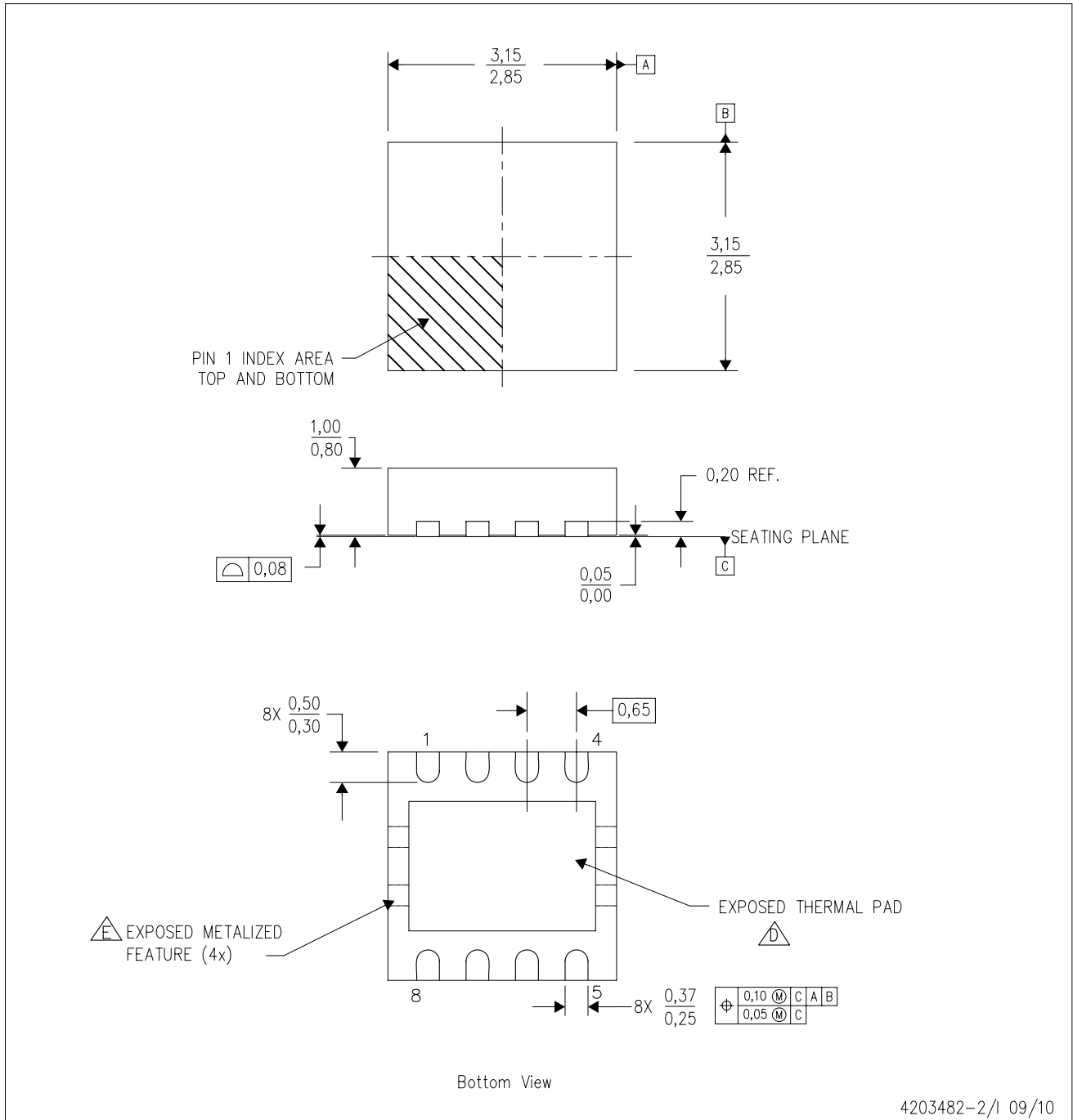
Device	Package Type	Package Drawing	Pins	SPQ	Reel Diameter (mm)	Reel Width W1 (mm)	A0 (mm)	B0 (mm)	K0 (mm)	P1 (mm)	W (mm)	Pin1 Quadrant
TPS7A8001DRBR	SON	DRB	8	3000	330.0	12.4	3.3	3.3	1.1	8.0	12.0	Q2
TPS7A8001DRBT	SON	DRB	8	250	180.0	12.4	3.3	3.3	1.1	8.0	12.0	Q2

**TAPE AND REEL BOX DIMENSIONS**



\*All dimensions are nominal

Device	Package Type	Package Drawing	Pins	SPQ	Length (mm)	Width (mm)	Height (mm)
TPS7A8001DRBR	SON	DRB	8	3000	346.0	346.0	29.0
TPS7A8001DRBT	SON	DRB	8	250	190.5	212.7	31.8



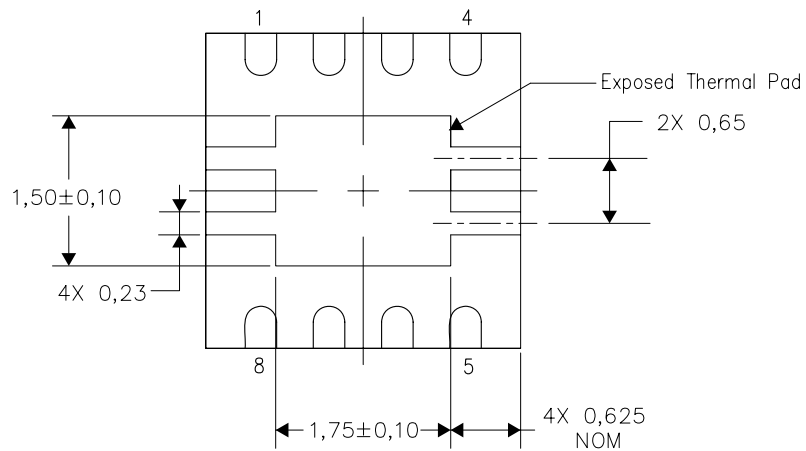
- NOTES:
- A. All linear dimensions are in millimeters. Dimensioning and tolerancing per ASME Y14.5M-1994.
  - B. This drawing is subject to change without notice.
  - C. Small Outline No-Lead (SON) package configuration.
  - The package thermal pad must be soldered to the board for thermal and mechanical performance.
  - See the Product Data Sheet for details regarding the exposed thermal pad features and dimensions.

THERMAL INFORMATION

This package incorporates an exposed thermal pad that is designed to be attached directly to an external heatsink. The thermal pad must be soldered directly to the printed circuit board (PCB). After soldering, the PCB can be used as a heatsink. In addition, through the use of thermal vias, the thermal pad can be attached directly to the appropriate copper plane shown in the electrical schematic for the device, or alternatively, can be attached to a special heatsink structure designed into the PCB. This design optimizes the heat transfer from the integrated circuit (IC).

For information on the Quad Flatpack No-Lead (QFN) package and its advantages, refer to Application Report, QFN/SON PCB Attachment, Texas Instruments Literature No. SLUA271. This document is available at [www.ti.com](http://www.ti.com).

The exposed thermal pad dimensions for this package are shown in the following illustration.



Bottom View

Exposed Thermal Pad Dimensions

4206340-2/K 11/10

NOTE: A. All linear dimensions are in millimeters

## IMPORTANT NOTICE

Texas Instruments Incorporated and its subsidiaries (TI) reserve the right to make corrections, modifications, enhancements, improvements, and other changes to its products and services at any time and to discontinue any product or service without notice. Customers should obtain the latest relevant information before placing orders and should verify that such information is current and complete. All products are sold subject to TI's terms and conditions of sale supplied at the time of order acknowledgment.

TI warrants performance of its hardware products to the specifications applicable at the time of sale in accordance with TI's standard warranty. Testing and other quality control techniques are used to the extent TI deems necessary to support this warranty. Except where mandated by government requirements, testing of all parameters of each product is not necessarily performed.

TI assumes no liability for applications assistance or customer product design. Customers are responsible for their products and applications using TI components. To minimize the risks associated with customer products and applications, customers should provide adequate design and operating safeguards.

TI does not warrant or represent that any license, either express or implied, is granted under any TI patent right, copyright, mask work right, or other TI intellectual property right relating to any combination, machine, or process in which TI products or services are used. Information published by TI regarding third-party products or services does not constitute a license from TI to use such products or services or a warranty or endorsement thereof. Use of such information may require a license from a third party under the patents or other intellectual property of the third party, or a license from TI under the patents or other intellectual property of TI.

Reproduction of TI information in TI data books or data sheets is permissible only if reproduction is without alteration and is accompanied by all associated warranties, conditions, limitations, and notices. Reproduction of this information with alteration is an unfair and deceptive business practice. TI is not responsible or liable for such altered documentation. Information of third parties may be subject to additional restrictions.

Resale of TI products or services with statements different from or beyond the parameters stated by TI for that product or service voids all express and any implied warranties for the associated TI product or service and is an unfair and deceptive business practice. TI is not responsible or liable for any such statements.

TI products are not authorized for use in safety-critical applications (such as life support) where a failure of the TI product would reasonably be expected to cause severe personal injury or death, unless officers of the parties have executed an agreement specifically governing such use. Buyers represent that they have all necessary expertise in the safety and regulatory ramifications of their applications, and acknowledge and agree that they are solely responsible for all legal, regulatory and safety-related requirements concerning their products and any use of TI products in such safety-critical applications, notwithstanding any applications-related information or support that may be provided by TI. Further, Buyers must fully indemnify TI and its representatives against any damages arising out of the use of TI products in such safety-critical applications.

TI products are neither designed nor intended for use in military/aerospace applications or environments unless the TI products are specifically designated by TI as military-grade or "enhanced plastic." Only products designated by TI as military-grade meet military specifications. Buyers acknowledge and agree that any such use of TI products which TI has not designated as military-grade is solely at the Buyer's risk, and that they are solely responsible for compliance with all legal and regulatory requirements in connection with such use.

TI products are neither designed nor intended for use in automotive applications or environments unless the specific TI products are designated by TI as compliant with ISO/TS 16949 requirements. Buyers acknowledge and agree that, if they use any non-designated products in automotive applications, TI will not be responsible for any failure to meet such requirements.

Following are URLs where you can obtain information on other Texas Instruments products and application solutions:

<b>Products</b>		<b>Applications</b>	
Amplifiers	<a href="http://amplifier.ti.com">amplifier.ti.com</a>	Audio	<a href="http://www.ti.com/audio">www.ti.com/audio</a>
Data Converters	<a href="http://dataconverter.ti.com">dataconverter.ti.com</a>	Automotive	<a href="http://www.ti.com/automotive">www.ti.com/automotive</a>
DLP® Products	<a href="http://www.dlp.com">www.dlp.com</a>	Communications and Telecom	<a href="http://www.ti.com/communications">www.ti.com/communications</a>
DSP	<a href="http://dsp.ti.com">dsp.ti.com</a>	Computers and Peripherals	<a href="http://www.ti.com/computers">www.ti.com/computers</a>
Clocks and Timers	<a href="http://www.ti.com/clocks">www.ti.com/clocks</a>	Consumer Electronics	<a href="http://www.ti.com/consumer-apps">www.ti.com/consumer-apps</a>
Interface	<a href="http://interface.ti.com">interface.ti.com</a>	Energy	<a href="http://www.ti.com/energy">www.ti.com/energy</a>
Logic	<a href="http://logic.ti.com">logic.ti.com</a>	Industrial	<a href="http://www.ti.com/industrial">www.ti.com/industrial</a>
Power Mgmt	<a href="http://power.ti.com">power.ti.com</a>	Medical	<a href="http://www.ti.com/medical">www.ti.com/medical</a>
Microcontrollers	<a href="http://microcontroller.ti.com">microcontroller.ti.com</a>	Security	<a href="http://www.ti.com/security">www.ti.com/security</a>
RFID	<a href="http://www.ti-rfid.com">www.ti-rfid.com</a>	Space, Avionics & Defense	<a href="http://www.ti.com/space-avionics-defense">www.ti.com/space-avionics-defense</a>
RF/IF and ZigBee® Solutions	<a href="http://www.ti.com/lprf">www.ti.com/lprf</a>	Video and Imaging	<a href="http://www.ti.com/video">www.ti.com/video</a>
		Wireless	<a href="http://www.ti.com/wireless-apps">www.ti.com/wireless-apps</a>