

# DIMM Socket For Memory Expansion

查询"DMM-168FLAA1-1A233"供应商

Conforming To JEDEC Standard DMM Series, 168 Contacts



Workstations, Computers, Disk arrays and Servers

## FEATURE

- Applicable to 168-position module per JEDEC standard MO-161
- Board locks which prevent the connector from lifting during reflow soldering
- Voltage keying design for both 5V and 3.3V modules
- Available with locking ejector on either side or both sides of connector
- Insulator molded from surface mount compatible plastic
- Accepts DRAM, SDRAM and non-standard DRAM module
- Straight plug in design minimizes bending of module
- Low insertion force

## SPECIFICATION

Voltage rating	250V AC (rms)
Current rating	0.5A/contact
Dielectric withstanding voltage	500V AC (rms) for 1 minute
Insulation resistance	500M $\Omega$ min. at 500V DC
Contact resistance	40m $\Omega$ max.

## MATERIAL/FINISH

Contact/Finish	Copper alloy/Gold over Nickel plating (mating), Tin-lead plating (tail)
Insulator	Polyamide resin (UL94V-O)/Black
Ejector	Stainless steel
Board lock	Copper alloy/Solder plating
Lock	Polyamide resin (UL94V-O)/Black

DRAM Type	Voltage	P/N
Sync. DRAM	3.3V	DMM-168FLDA1-3A113
		DMM-168FLDA1-3A133
		DMM-168FLDA2-3A113
		DMM-168FLDA2-3A133
		DMM-168FLDA2-3A134
		DMM-168FLDA2-3A13N
		DMM-168FLDA2-3A135
		DMM-168FLDA2-3B133
	5.0V	DMM-168FLDA2-3B137
		DMM-168FLDA2-3B13N
		DMM-168FLDA1-2A213
		DMM-168FLDA2-2A213
		DMM-168FLDA3-2A213
		DMM-168FLDA4-2A213
		DMM-168FLHB1-3A114
		DMM-168FLHB1-3A134
Standard DRAM	3.3V	DMM-168FLHB2-3A114
		DMM-168FLHB2-3A133
		DMM-168FLHB2-3A134
		DMM-168FLEA1-3A113
		DMM-168FLEA1-3A133
		DMM-168FLEA1-3A13N
		DMM-168FLEA1-3A163
		DMM-168FLEA2-3A113
	5.0V	DMM-168FLEA2-3A117
		DMM-168FLEA2-3A133
		DMM-168FLEA2-3A134
		DMM-168FLEA2-3A137
		DMM-168FLEA2-3A163
		DMM-168FLEA3-3A117
		DMM-168FLEA3-3A137
		DMM-168FLFB1-3A116
Non-Standard DRAM	3.3V	DMM-168FLFB1-3A136
		DMM-168FLFB2-2B214
		DMM-168FLFB2-3A111
		DMM-168FLFB2-3A116
		DMM-168FLFB2-3A132
		DMM-168FLFB2-3A133
		DMM-168FLFB2-3A136
		DMM-168FLA1-1A233
		DMM-168FLA1-3A113
		DMM-168FLA1-3A133
		DMM-168FLA2-2A213
		DMM-168FLA2-2A233
		DMM-168FLA2-2A236
		DMM-168FLA2-2B212
		DMM-168FLA2-2B232
		DMM-168FLA2-2B233
	DMM-168FLA2-2B262	
	DMM-168FLA2-2B263	
	DMM-168FLA2-3A113	
	DMM-168FLA2-3A116	
	DMM-168FLA2-3A133	
	DMM-168FLA2-3A136	
	DMM-168FLA2-3A166	
	DMM-168FLA2-3A13N	
	DMM-168FLA2-3B112	
	DMM-168FLA2-3B133	
	DMM-168FLA2-3B13N	
	DMM-168FLA2-3B162	
	DMM-168FLA2-3A137	
	DMM-168FLA2-3A163	
	DMM-168FLA2-3A134	
	DMM-168FLA3-1A233	
DMM-168FLA3-1A234		
DMM-168FLA3-3A113		
DMM-168FLA3-3A133		
DMM-168FLA3-3A136		
DMM-168FLA3-3A13N		
DMM-168FLA3-1B212		
DMM-168FLA4-3A113		
DMM-168FLA4-3A133		
5.0V	DMM-168FLGB1-3A112	
	DMM-168FLGB1-3A132	
	DMM-168FLGB2-3A112	
	DMM-168FLGB2-3A132	

H

DMM(168)

# DMM Series (168 Contacts)

查询"DMM-168FLAA1-1A233"供应商

Unit : mm

Sync. DRAM Operation Voltage 3.3V

## DMM-168FLDA2-3A23N

### Housing/Lock color

- 1 : Ivory/Ivory
- 2 : Black/Black
- 3 : Black/Ivory
- 4 : Ivory/Ivory

### Tail Pitch

- 2 : 1.27mm
- 3 : 1.905mm

### Tail Pitch Arrangement

- A : See page 3
- B : See page 3

### Board lock and hole size

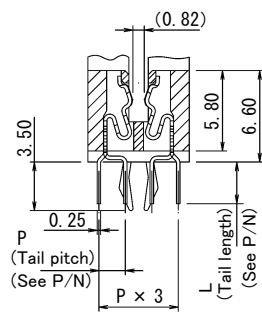
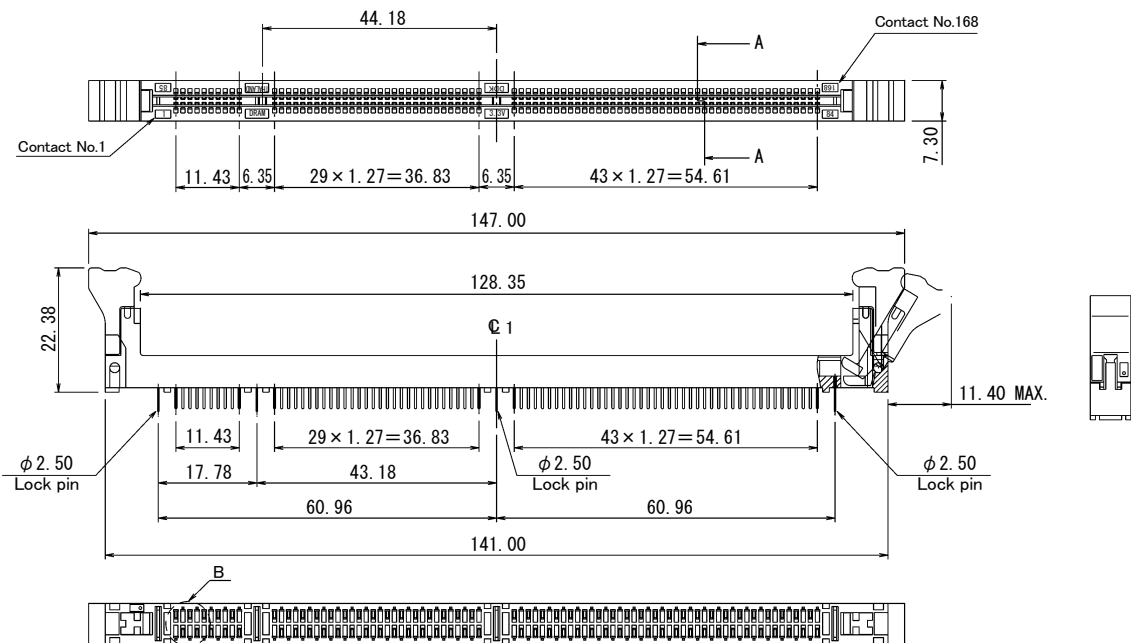
- N : without Board lock
- 3 : with 3 Board locks,  $\phi$  2.50 holes
- 4 : with 4 Board locks,  $\phi$  2.50 holes
- 5 : with 1 Board locks,  $\phi$  2.03 holes
- 7 : with 3 Board locks,  $\phi$  2.03 holes

### Contact plating

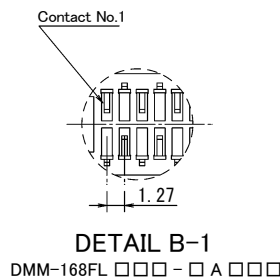
- 1 : Mating area...0.3  $\mu$  m Gold over Nickel  
Tail area...Tin-Lead
- 3 : (Standard)  
Mating area...Gold flash over Nickel  
Tail area...Tin-Lead

### Tail Length

- 1 : 3.0mm
- 2 : 3.2mm

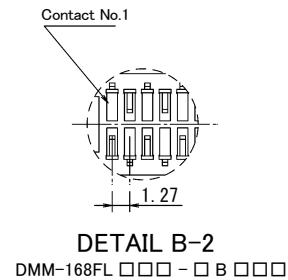


SEC.A-A



DETAIL B-1

DMM-168FL □□□ - □ A □□□



DETAIL B-2

DMM-168FL □□□ - □ B □□□

H  
DMM(168)

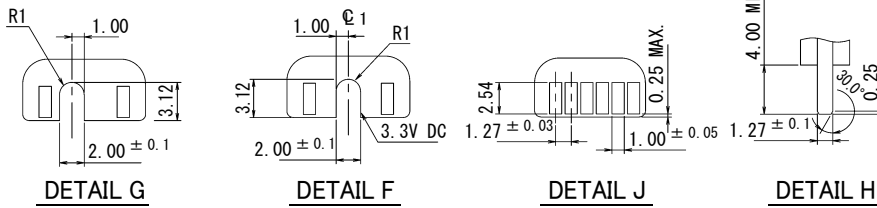
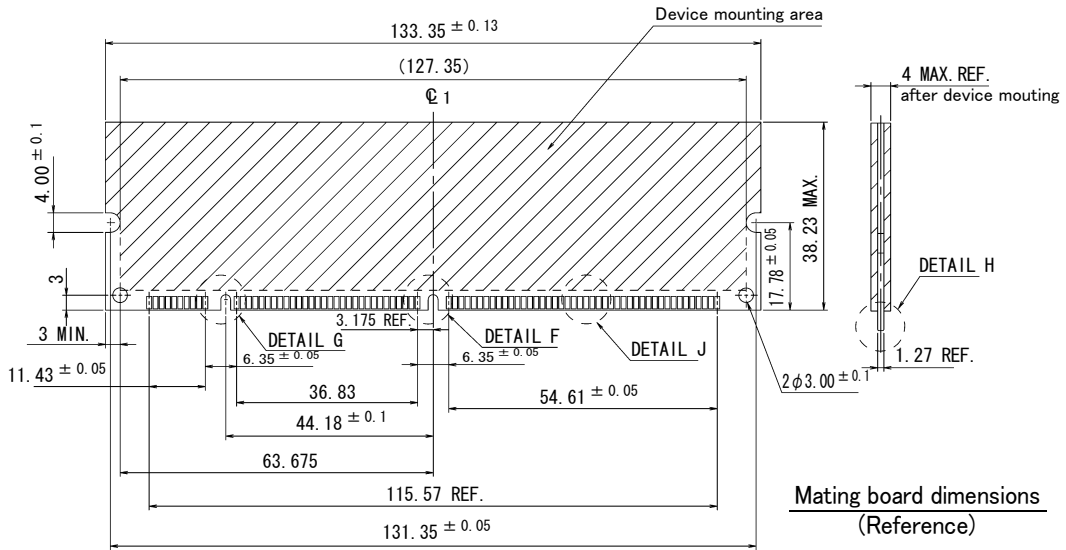
# DMM Series (168 Contacts)

查询"DMM-168FLAA1-1A233"供应商

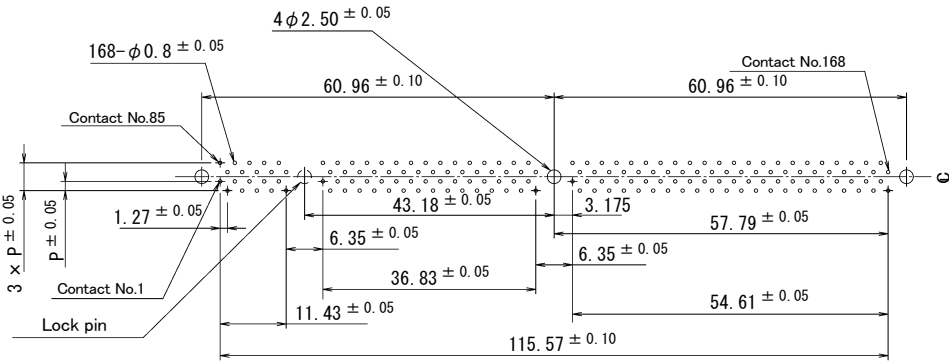
Unit : mm

## Sync. DRAM Operation Voltage 3.3V

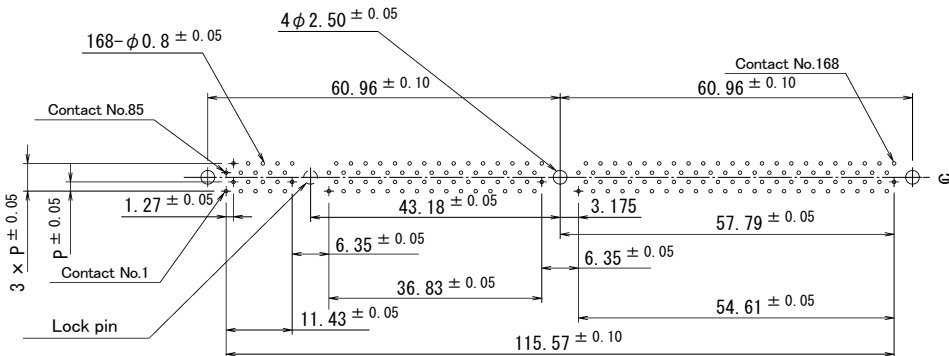
### Mating board dimensions



### PCB mounting hole dimensions



DMM-168FLDA □ - □ A □ □ □ □  
PCB mounting hole dimensions (connector mounting side Reference)



DMM-168FLDA □ - □ B □ □ □ □  
PCB mounting hole dimensions (connector mounting side Reference)

H  
DMM(168)

# DMM Series (168 Contacts)

查询"DMM-168FLAA1-1A233"供应商

Unit : mm

Sync. DRAM Operation Voltage 5.0V

## DMM-168FLHB2-3A134

**Housing/Lock color**

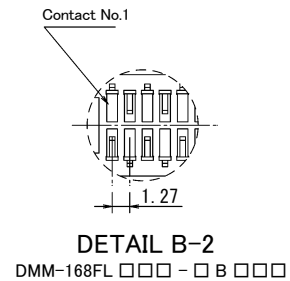
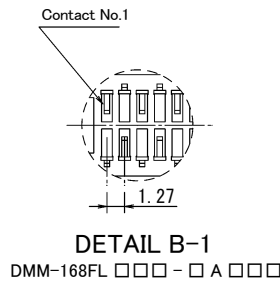
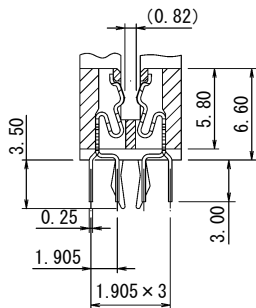
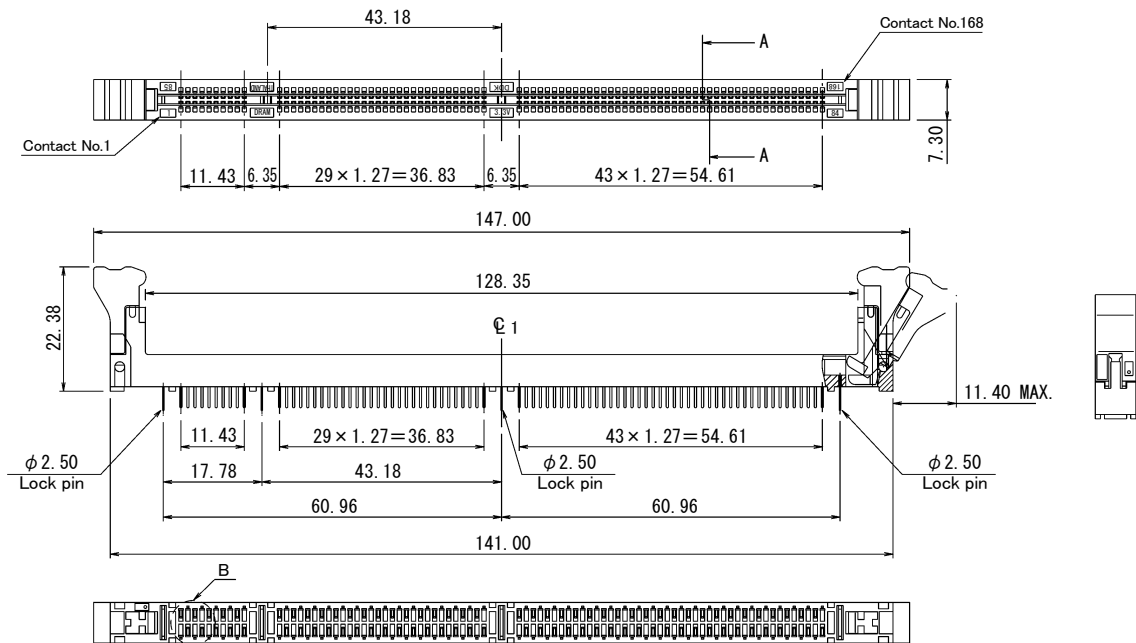
- 1 : Ivory/Ivory
- 2 : Black/Black

**Board lock and hole size**

- N : without Board lock
- 3 : with 3 Board locks,  $\phi$  2.50 holes
- 4 : with 4 Board locks,  $\phi$  2.50 holes

**Contact plating**

- 1 : Mating area...0.3  $\mu$  m Gold over Nickel  
Tail area...Tin-Lead
- 3 : (Standard)  
Mating area...Gold flash over Nickel  
Tail area...Tin-Lead



H  
DMM(168)

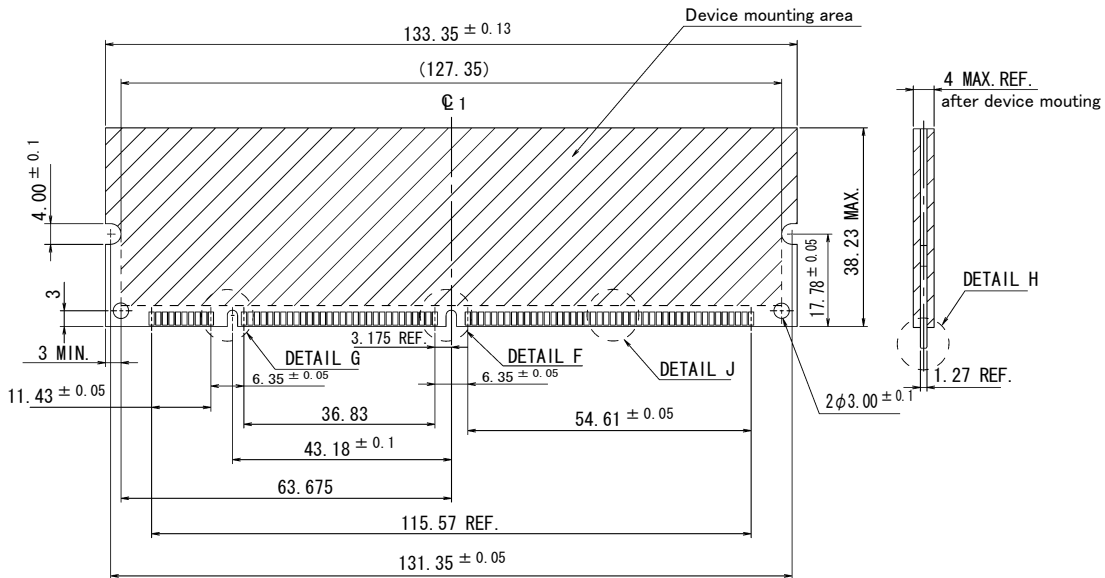
# DMM Series (168 Contacts)

查询"DMM-168FLAA1-1A233"供应商

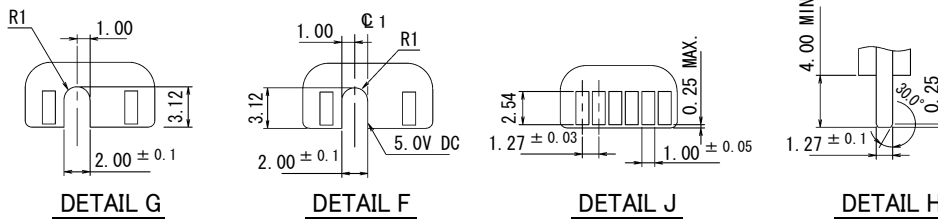
Unit : mm

## Sync. DRAM Operation Voltage 5.0V

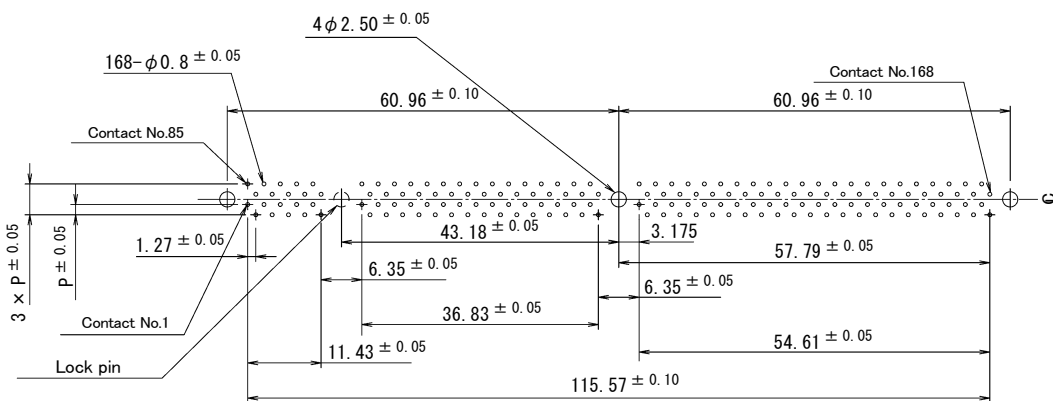
### Recommended mating board dimensions



Recommended mating board dimensions  
(Reference)



### Recommended PCB mounting hole dimensions



DMM-168FLHB □ - □ A □ □ □  
Recommended PCB mounting hole dimensions  
(connector mounting side Reference)

H  
DMM(168)

# DMM Series (168 Contacts)

查询"DMM-168FLAA1-1A233"供应商

Unit : mm

Standard DRAM Operation Voltage 3.3V

## DMM-168FLEA3-3A13N

### Housing/Lock color

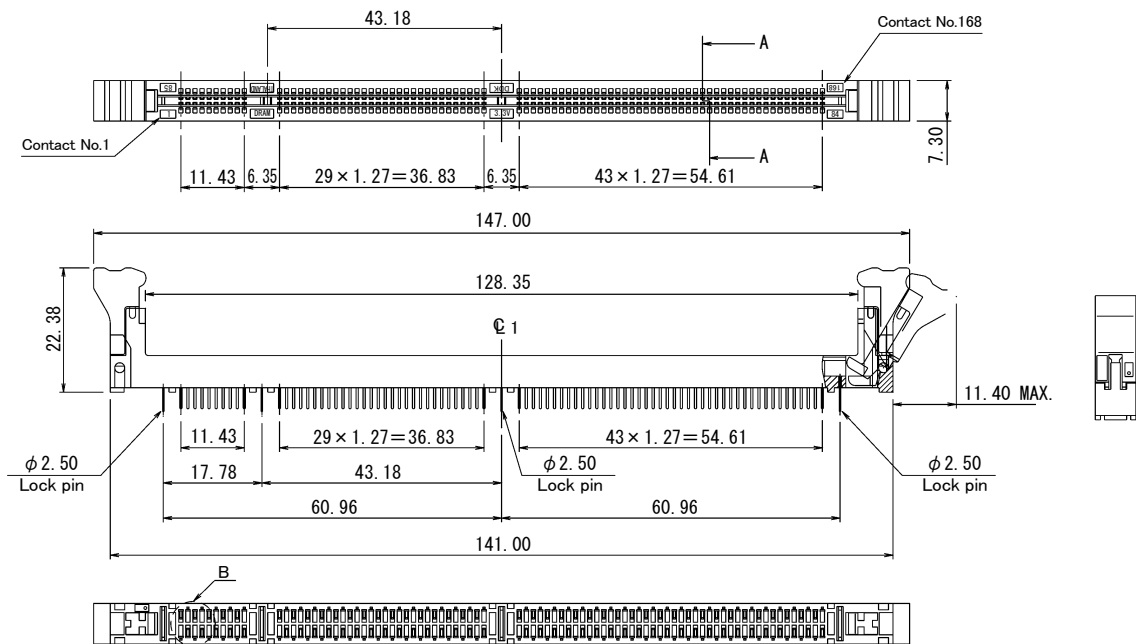
- 1 : Ivory/Ivory
- 2 : Black/Black
- 3 : Black/Ivory

### Board lock and hole size

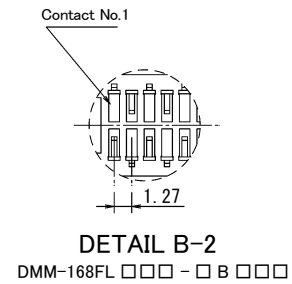
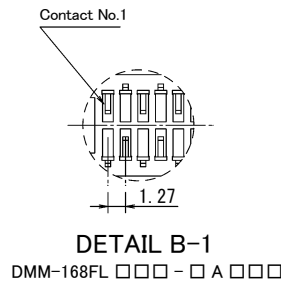
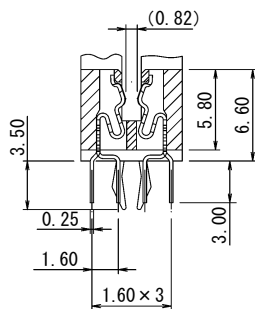
- N : without Board lock
- 3 : with 3 Board locks,  $\phi$  2.50 holes
- 4 : with 4 Board locks,  $\phi$  2.50 holes
- 7 : with 3 Board locks,  $\phi$  2.03 holes

### Contact plating

- 1 : Mating area...0.3  $\mu$  m Gold over Nickel  
Tail area...Tin-Lead
- 3 : (Standard)  
Mating area...Gold flash over Nickel  
Tail area...Tin-Lead
- 6 : Mating area...0.76  $\mu$  m Gold over Nickel  
Tail area...Tin-Lead



H  
DMM(168)



SEC.A-A

DETAIL B-1

DMM-168FL □□□ - □ A □□□

DETAIL B-2

DMM-168FL □□□ - □ B □□□

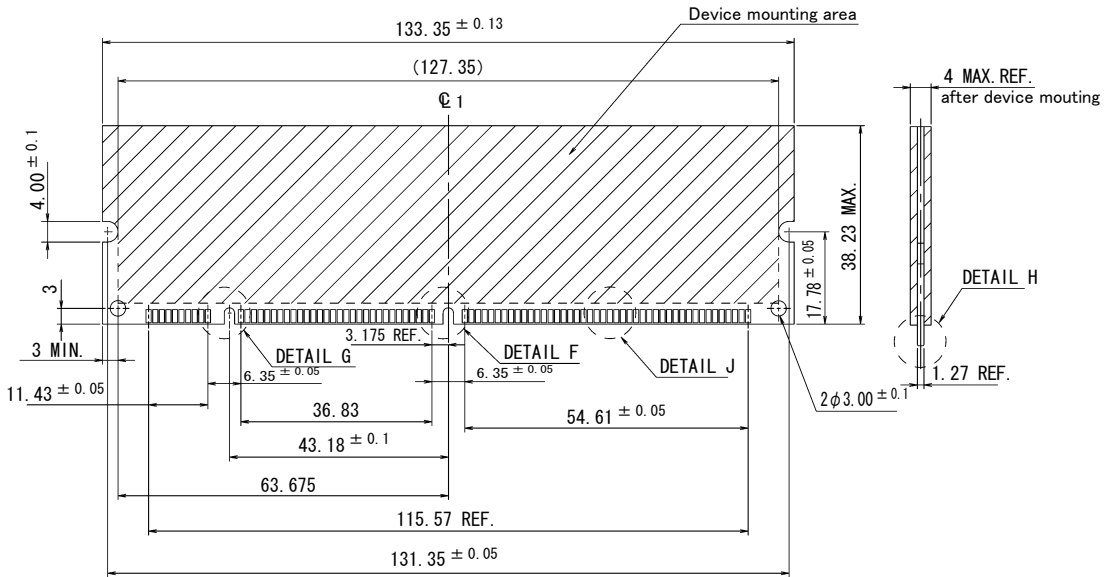
# DMM Series (168 Contacts)

查询"DMM-168FLAA1-1A233"供应商

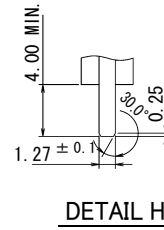
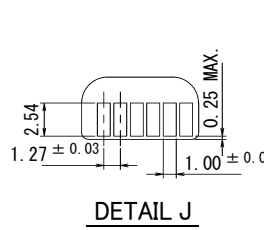
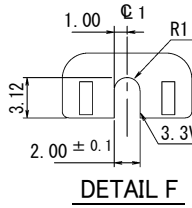
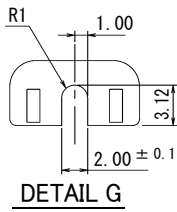
Unit : mm

## Standard DRAM Operation Voltage 3.3V

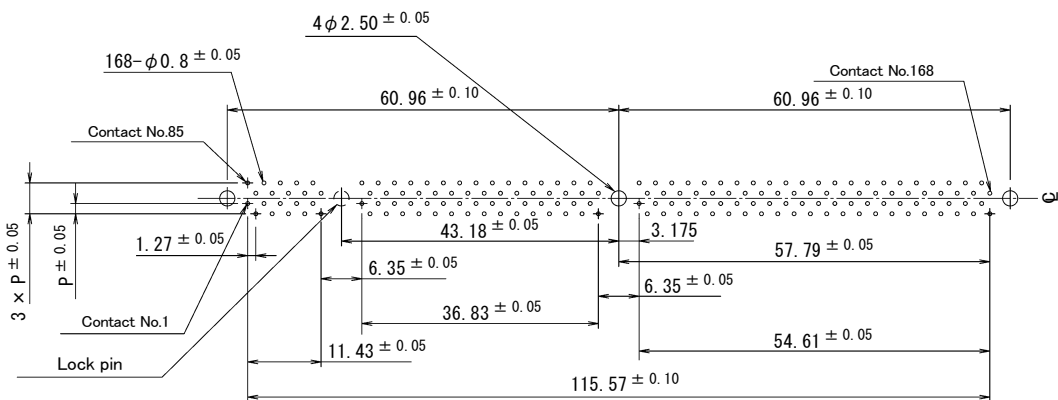
### Recommended mating board dimensions



Recommended mating board dimensions  
(Reference)



### Recommended PCB mounting hole dimensions



DMM-168FLEA □ - □ A □ □ □

Recommended PCB mounting hole dimensions  
(connector mounting side Reference)

H  
DMM(168)

# DMM Series (168 Contacts)

查询"DMM-168FLAA1-1A233"供应商

Unit : mm

Standard DRAM Operation Voltage 5.0V

## DMM-168FLFB2-3A136

### Housing/Lock color

- 1 : Ivory/Ivory
- 2 : Black/Black

### Tail Pitch

- 2 : 1.27mm
- 3 : 1.905mm

### Tail Pitch Arrangement

- A : See page 9
- B : See page 9

### Board lock and hole size

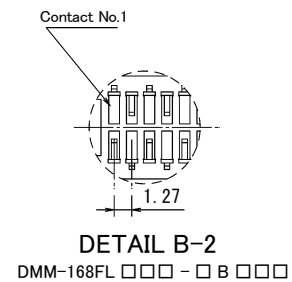
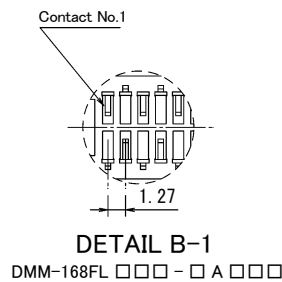
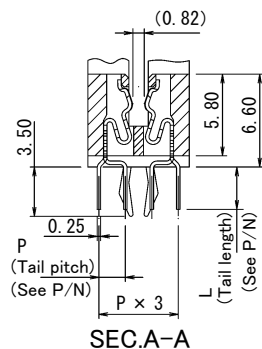
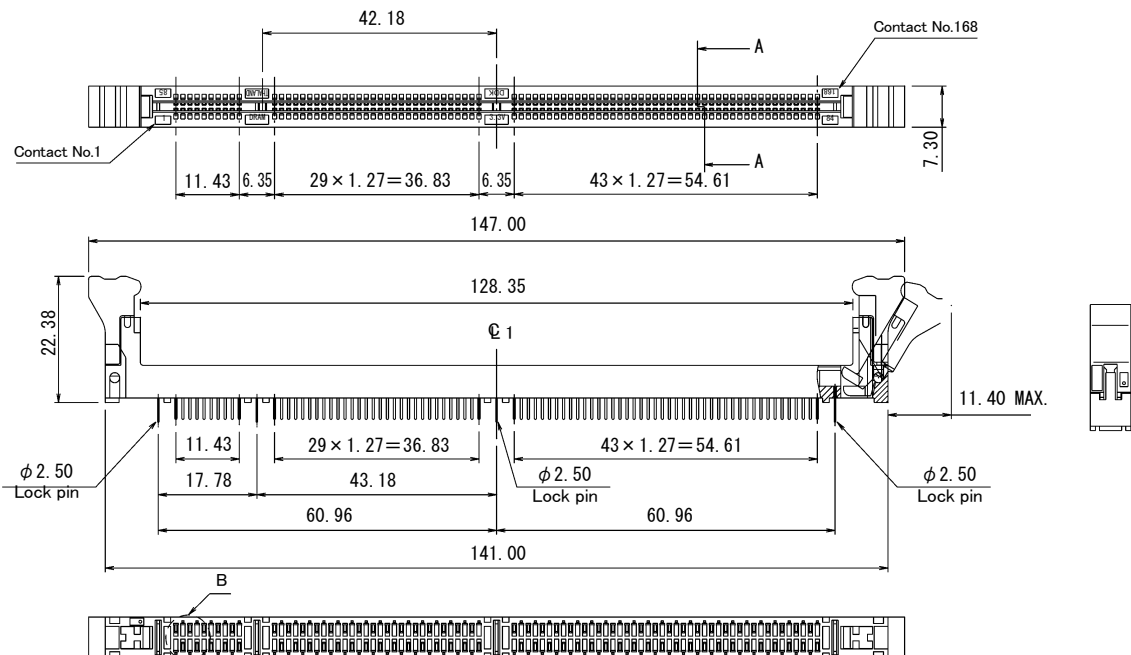
- 1 : with 1 Board locks,  $\phi$  2.50 holes
- 2 : with 2 Board locks,  $\phi$  2.50 holes
- 3 : with 3 Board locks,  $\phi$  2.50 holes
- 4 : with 4 Board locks,  $\phi$  2.50 holes
- 6 : with 2 Board locks,  $\phi$  2.03 holes

### Contact plating

- 1 : Mating area...0.3  $\mu$  m Gold over Nickel  
Tail area...Tin-Lead
- 3 : (Standard)  
Mating area...Gold flash over Nickel  
Tail area...Tin-Lead

### Tail Length

- 1 : 3.0mm
- 2 : 3.2mm



H  
DMM(168)



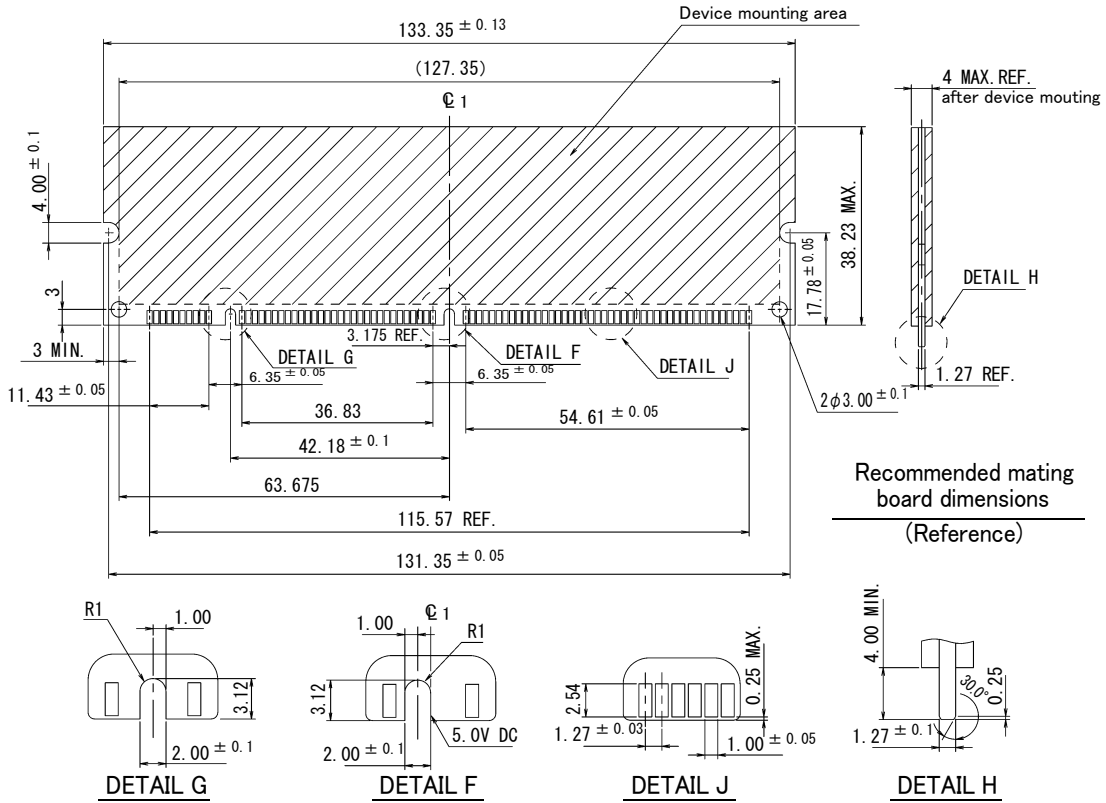
# DMM Series (168 Contacts)

查询"DMM-168FLAA1-1A233"供应商

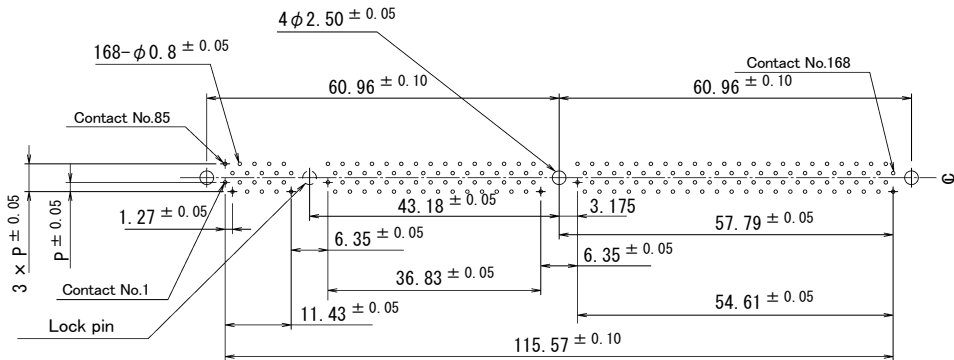
Unit : mm

## Standard DRAM Operation Voltage 5.0V

### Recommended mating board dimensions

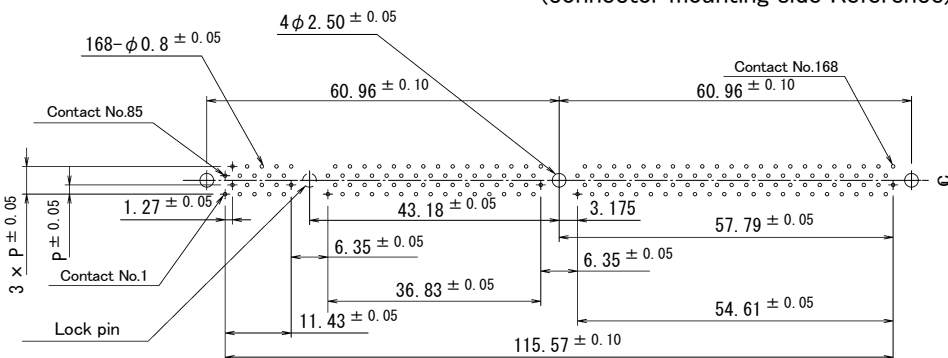


### Recommended PCB mounting hole dimensions



DMM-168FLFB □ - □ A □ □ □

Recommended PCB mounting hole dimensions (connector mounting side Reference)



DMM-168FLFB □ - □ B □ □ □

Recommended PCB mounting hole dimensions (connector mounting side Reference)

# DMM Series (168 Contacts)

查询"DMM-168FLAA1-1A233"供应商

Unit : mm

## Non-Standard DRAM Operation Voltage 3.3V

### DMM-168FLAA2-3B216

#### Housing/Lock color

- 1 : Ivory/Ivory
- 2 : Black/Black
- 3 : Black/Ivory
- 4 : Ivory/Ivory

#### Tail Pitch

- 1 : 1.60mm
- 2 : 1.27mm
- 3 : 1.905mm

#### Tail Pitch Arrangement

- A : See page 11
- B : See page 11

#### Board lock and hole size

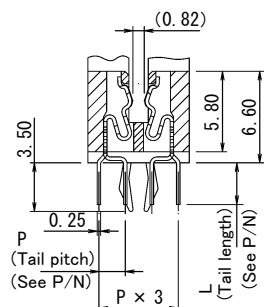
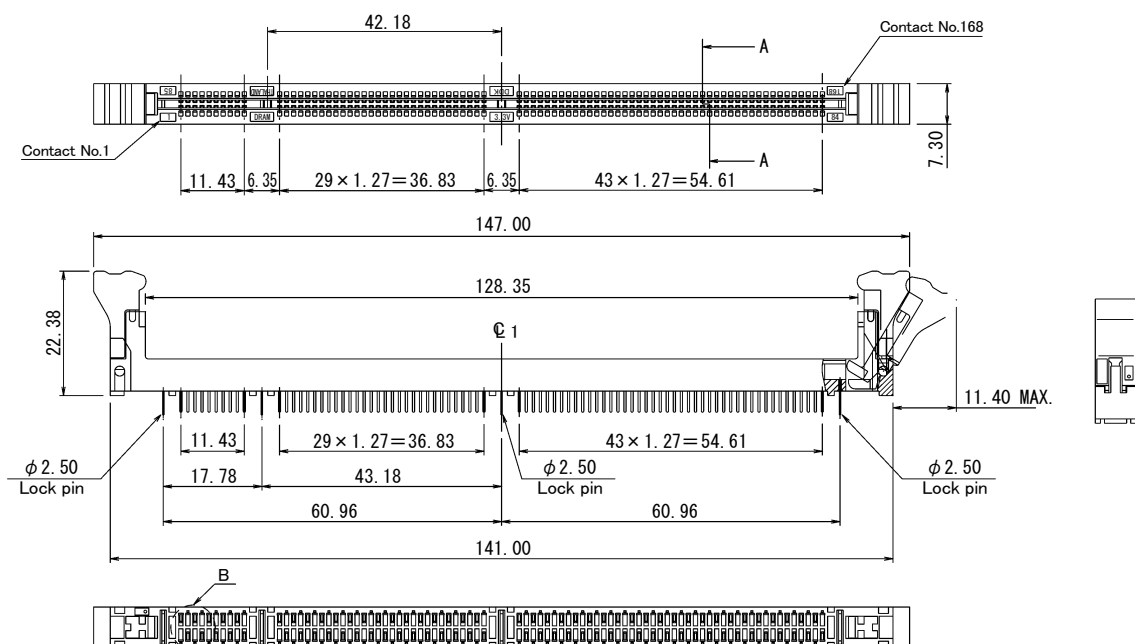
- N : without Board lock
- 2 : with 2 Board locks,  $\phi$  2.50 holes
- 3 : with 3 Board locks,  $\phi$  2.50 holes
- 4 : with 4 Board locks,  $\phi$  2.50 holes
- 6 : with 2 Board locks,  $\phi$  2.03 holes
- 7 : with 3 Board locks,  $\phi$  2.03 holes

#### Contact plating

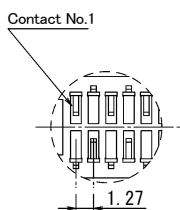
- 1 : Mating area...0.3  $\mu$  m Gold over Nickel  
Tail area...Tin-Lead
- 3 : (Standard)  
Mating area...Gold flash over Nickel  
Tail area...Tin-Lead
- 6 : Mating area...0.76  $\mu$  m Gold over Nickel  
Tail area...Tin-Lead

#### Tail Length

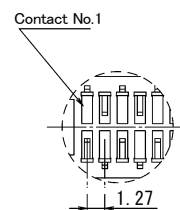
- 1 : 3.0mm
- 2 : 3.2mm



SEC.A-A



DETAIL B-1  
DMM-168FL □□□ - □ A □□□



DETAIL B-2  
DMM-168FL □□□ - □ B □□□

H  
DMM(168)

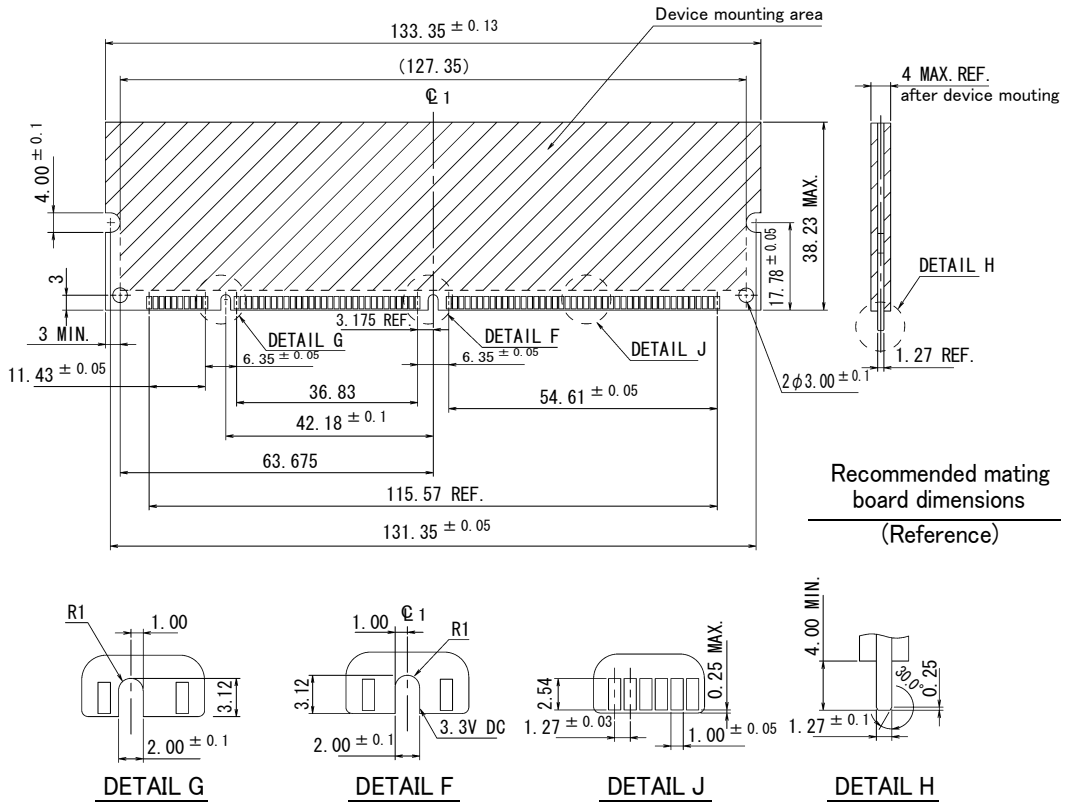
# DMM Series (168 Contacts)

查询"DMM-168FLAA1-1A233"供应商

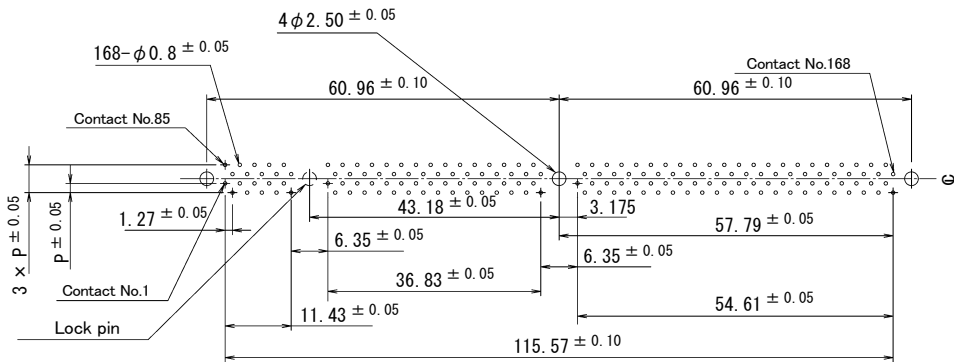
Unit : mm

## Non-Standard DRAM Operation Voltage 3.3V

### Recommended mating board dimensions

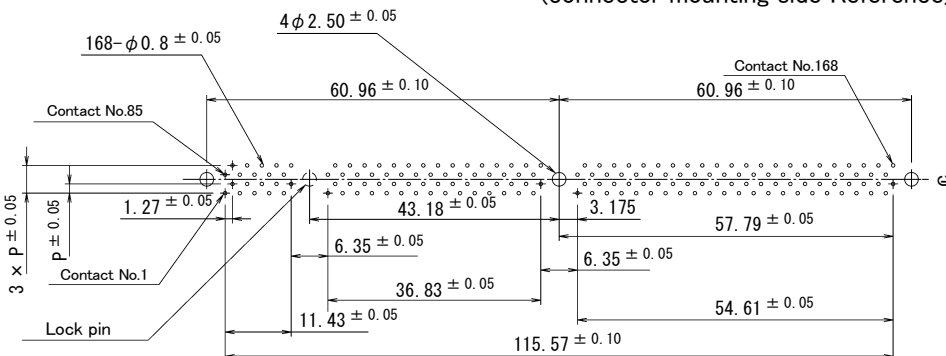


### Recommended PCB mounting hole dimensions



DMM-168FLAA □ - □ A □ □ □

Recommended PCB mounting hole dimensions (connector mounting side Reference)



DMM-168FLAA □ - □ B □ □ □

Recommended PCB mounting hole dimensions (connector mounting side Reference)

H  
DMM(168)

# DMM Series (168 Contacts)

查询"DMM-168FLAA1-1A233"供应商

Unit : mm

## ■ Non-Standard DRAM Operation Voltage 5.0V

### DMM-168FLGB1-3A132

#### Housing/Lock color

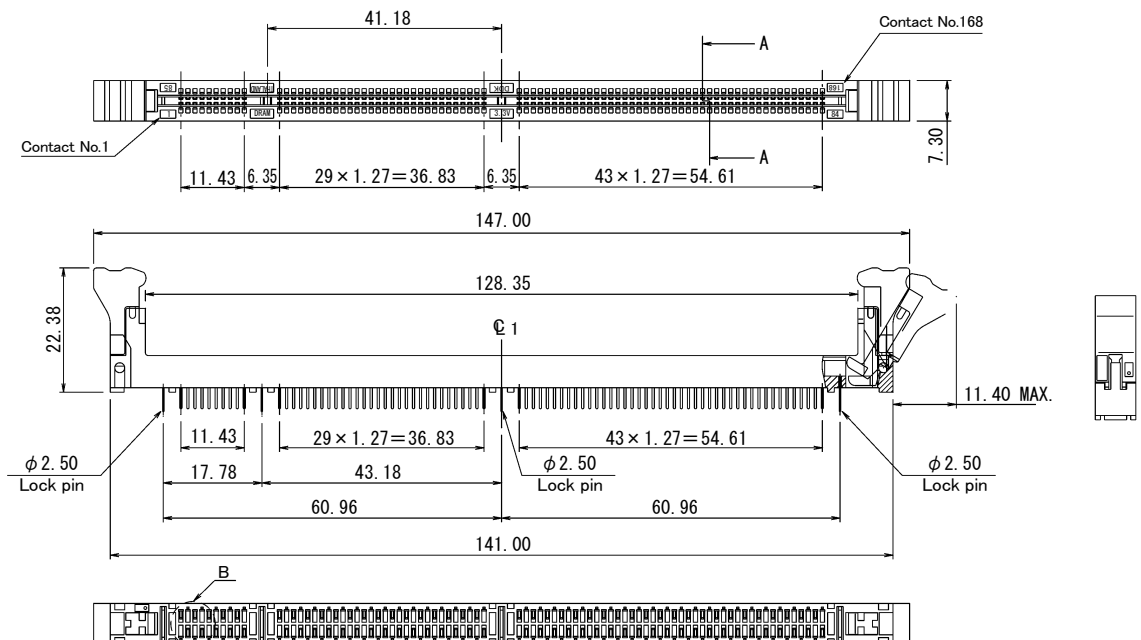
- 1 : Ivory/Ivory
- 2 : Black/Black

#### Board lock and hole size

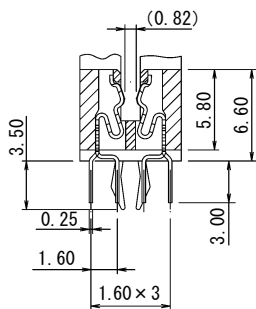
- N : without Board lock
- 2 : with 2 Board locks,  $\phi$  2.50 holes
- 3 : with 3 Board locks,  $\phi$  2.50 holes

#### Contact plating

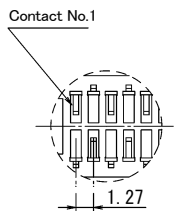
- 1 : Mating area...0.3  $\mu$  m Gold over Nickel  
Tail area...Tin-Lead
- 2 : (Standard)  
Mating area...Gold flash over Nickel  
Tail area...Tin-Lead



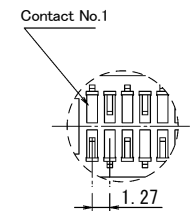
H  
DMM(168)



SEC.A-A



DETAIL B-1  
DMM-168FL □□□ - □ A □□□



DETAIL B-2  
DMM-168FL □□□ - □ B □□□

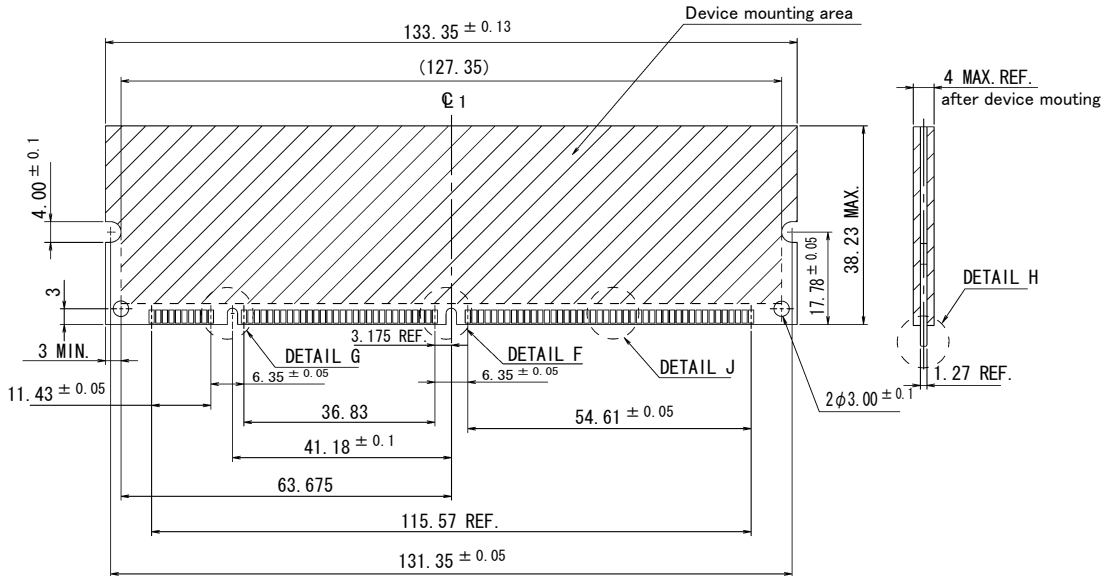
# DMM Series (168 Contacts)

查询"DMM-168FLAA1-1A233"供应商

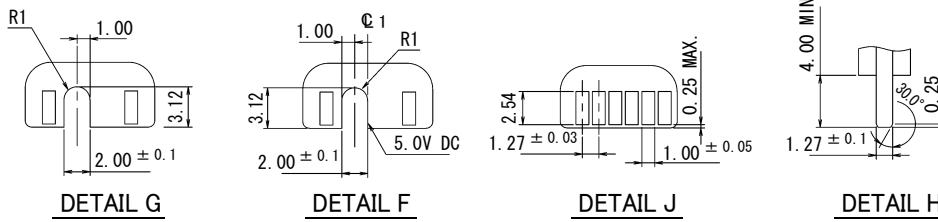
Unit : mm

## Non-Standard DRAM Operation Voltage 5.0V

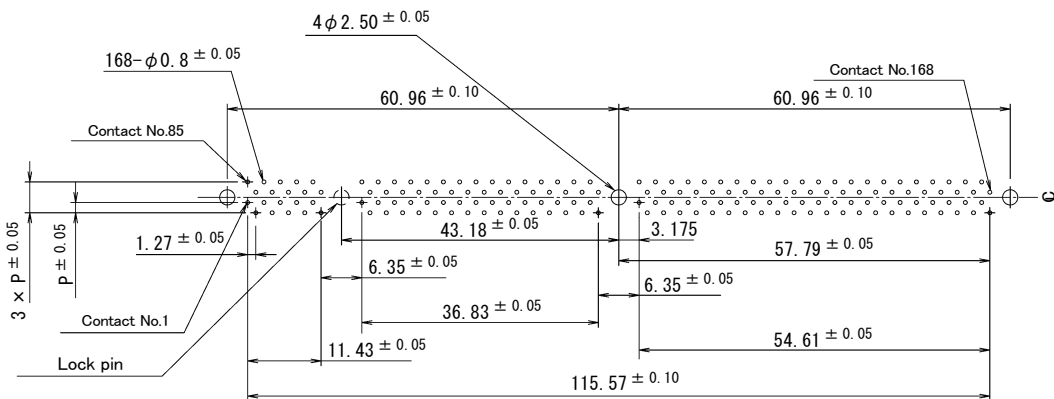
### Recommended mating board dimensions



Recommended mating board dimensions  
(Reference)



### Recommended PCB mounting hole dimensions



DMM-168FLHB □ - □ A □ □ □  
Recommended PCB mounting hole dimensions  
(connector mounting side Reference)

H  
DMM(168)

**This datasheet has been downloaded from:**

**[www.EEworld.com.cn](http://www.EEworld.com.cn)**

**Free Download**

**Daily Updated Database**

**100% Free Datasheet Search Site**

**100% Free IC Replacement Search Site**

**Convenient Electronic Dictionary**

**Fast Search System**

**[www.EEworld.com.cn](http://www.EEworld.com.cn)**