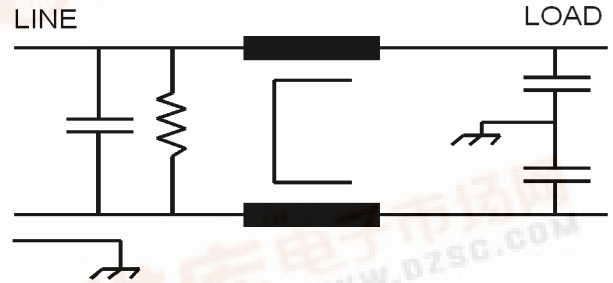




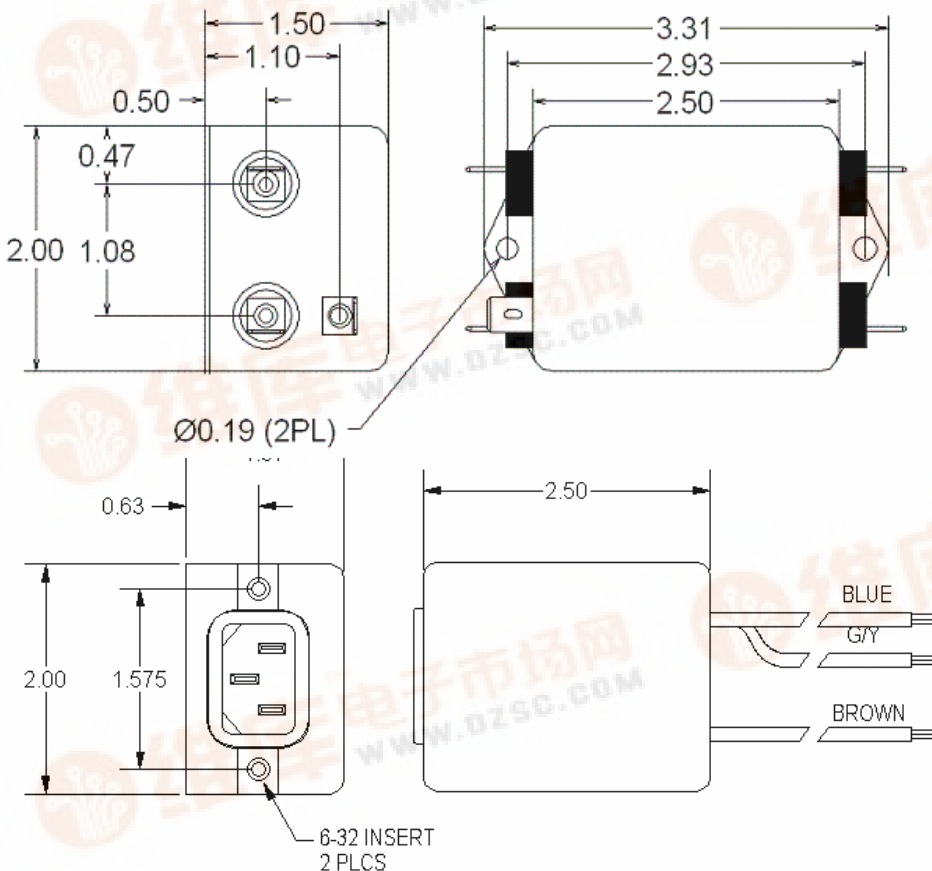
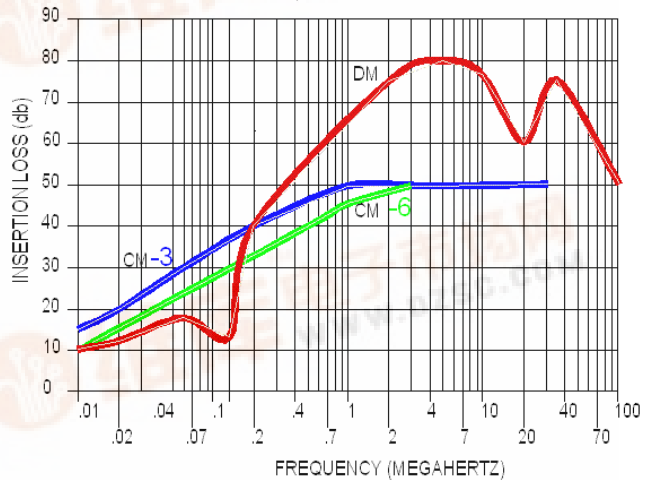
查询"0989"供应商

# 0989 SERIES

The 0989 filters are excellent for suppressing noise from switching power supplies and other devices where a considerable amount of common mode and differential mode electrical noise is present. This series is available with either 6.3mm terminals or with an IEC inlet connector



**Operating Voltage = 115/250VAC**  
**Operating Current = 3,6,8 & 10 amperes**  
**Operating Frequency = 50/60 Hz**  
**Operating Temperature = -10 to 50 deg. C**  
**Dielectric Withstanding (Line-Ground) = 1500 VDC for 1 minute**  
**Dielectric Withstanding (Line to Line) = 1500 VDC for 1 minutes**  
**Leakage Current = 1.0 mA @ 250 VAC, 50Hz**  
**Residual Voltage (Max after 5 sec.) = 10 Volts**  
**Agency Approvals -8 UL, CSA, VDE**  
**-3,-6,-10 Pending**



USA JMK Inc 15 Caldwell Dr. Amherst, NH 03031 PH: 603 886-4100 FX: 603 886-4115  
 email: info@jmkfilters.com  
 EUR JMK Inc Glasgow G13 1DN Scotland UK PH: 44-(0) 7785310729 Fax: 44-(0) 141 589 1884

