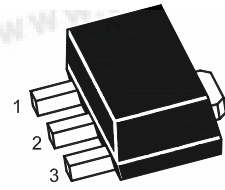


ST 78L08U

[查询"78L08U"供应商](#)

3-Terminal Positive Voltage Regulator



1.OUT 2.GND 3.IN
SOT-89 Plastic Package

Absolute Maximum Ratings ($T_a = 25\text{ }^\circ\text{C}$)

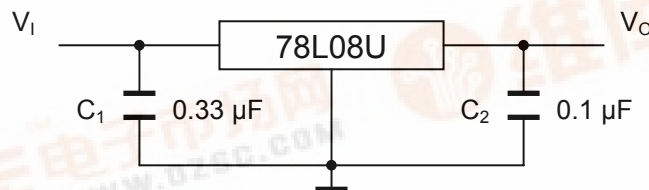
Parameter	Symbol	Value	Unit
Input Voltage	V_I	30	V
Power Dissipation	P_{tot}	800 ¹⁾	mW
Operating Temperature	T_{opr}	- 20 to + 120	$^\circ\text{C}$
Storage Temperature Range	T_s	- 55 to + 150	$^\circ\text{C}$

¹⁾ 15 mm X 25 mm X 0.7 mm alumina ceramic board, $T_a \leq 25\text{ }^\circ\text{C}$

Electrical Characteristics ($T_a = 25\text{ }^\circ\text{C}$)

(Unless otherwise specified, $0\text{ }^\circ\text{C} \leq T_j \leq 125\text{ }^\circ\text{C}$, $V_I = 14\text{ V}$, $I_o = 40\text{ mA}$, $C_1 = 0.33\text{ }\mu\text{F}$, $C_o = 0.1\text{ }\mu\text{F}$)

Parameter	Symbol	Test Condition	Min.	Typ.	Max.	Unit
Output Voltage	V_O	$T_j = 25\text{ }^\circ\text{C}$	7.7	8	8.3	V
		$10.5\text{ V} \leq V_I \leq 23\text{ V}$, $1\text{ mA} \leq I_o \leq 40\text{ mA}$	7.6	-	8.4	V
		$V_I = 14\text{ V}$, $1\text{ mA} \leq I_o \leq 70\text{ mA}$	7.6	-	8.4	V
Line Regulation	Regline	$10.5\text{ V} \leq V_I \leq 23\text{ V}$, $T_j = 25\text{ }^\circ\text{C}$	-	-	175	mV
		$11\text{ V} \leq V_I \leq 23\text{ V}$, $T_j = 25\text{ }^\circ\text{C}$	-	-	125	
Load Regulation	Regload	$1\text{ mA} \leq I_o \leq 100\text{ mA}$, $T_j = 25\text{ }^\circ\text{C}$	-	-	80	mV
		$1\text{ mA} \leq I_o \leq 40\text{ mA}$, $T_j = 25\text{ }^\circ\text{C}$	-	-	40	
Quiescent Current	I_Q	$T_j = 25\text{ }^\circ\text{C}$	-	-	5.5	mA
Quiescent Current Change	ΔI_Q	$12\text{ V} \leq V_I \leq 23\text{ V}$, $I_o = 40\text{ mA}$	-	-	1.5	mA
		$V_I = 14\text{ V}$, $1\text{ mA} \leq I_o \leq 40\text{ mA}$	-	-	0.1	
Output Noise Voltage	V_N	$10\text{ Hz} \leq f \leq 100\text{ KHz}$, $T_j = 25\text{ }^\circ\text{C}$	-	60	-	μV
Ripple Rejection	RR	$f = 120\text{ Hz}$, $12\text{ V} \leq V_I \leq 22\text{ V}$, $T_j = 25\text{ }^\circ\text{C}$	39	-	-	dB
Dropout Voltage	V_{Drop}	$T_j = 25\text{ }^\circ\text{C}$	-	1.7	-	V



SEMTECH ELECTRONICS LTD.

(Subsidiary of Sino-Tech International Holdings Limited, a company listed on the Hong Kong Stock Exchange, Stock Code: 724)



ISO/TS 16949 : 2002
Certificate No. 05103

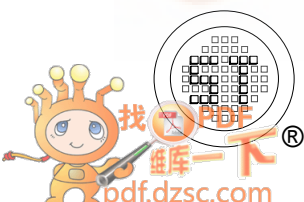


ISO 14001:2004
Certificate No. 7116



ISO 9001:2000
Certificate No. 0506098

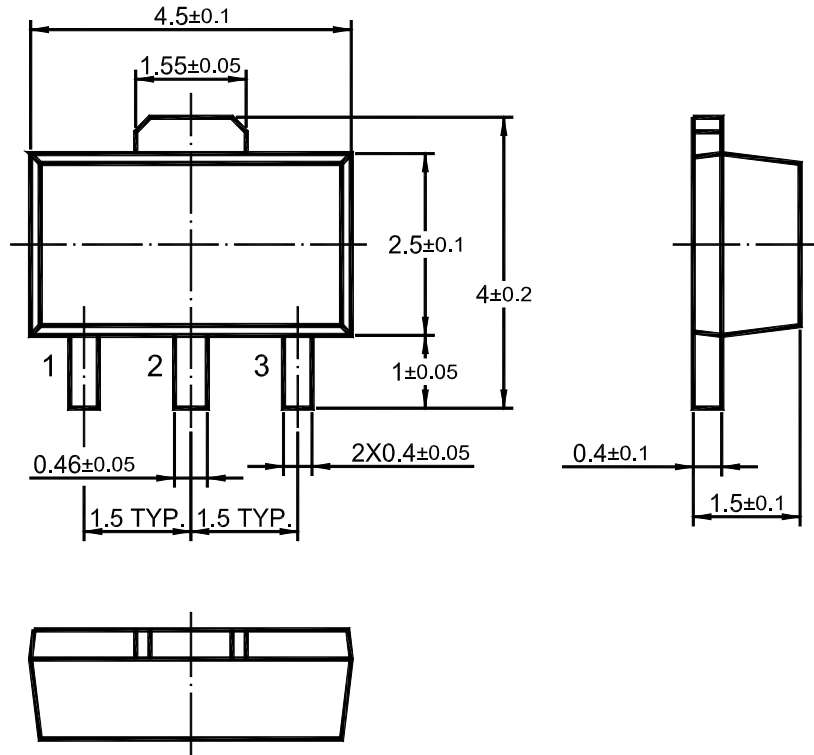
Dated : 05/09/2006



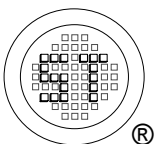
ST 78L08U

[查询"78L08U"供应商](#)

SOT-89 PACKAGE OUTLINE



Dimensions in mm



SEMTECH ELECTRONICS LTD.

(Subsidiary of Sino-Tech International Holdings Limited, a company listed on the Hong Kong Stock Exchange, Stock Code: 724)



ISO/TS 16949 : 2002
Certificate No. 05103



ISO 14001:2004
Certificate No. 71116



ISO 9001:2000
Certificate No. 0506098

Dated : 05/09/2006