

KR Electronics

General Description

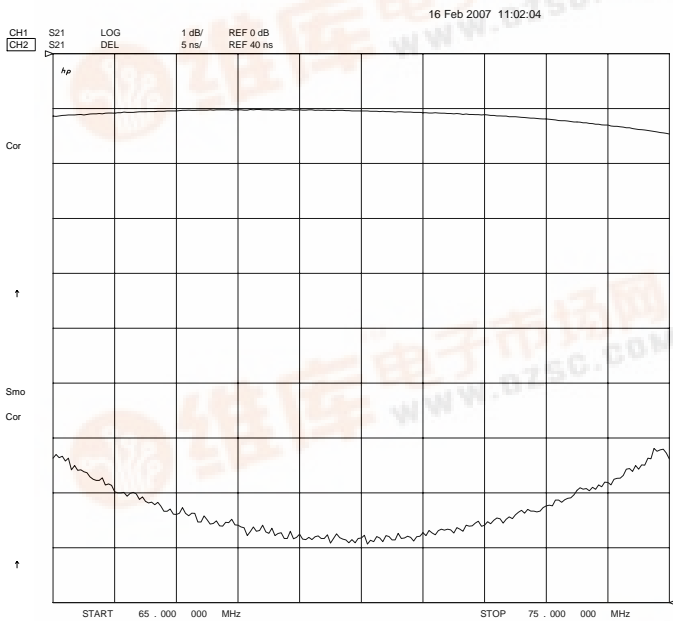
KR 2761 is a 70 MHz surface mount bandpass filter. Other center frequencies and bandwidths available. Please consult the factory.

Features

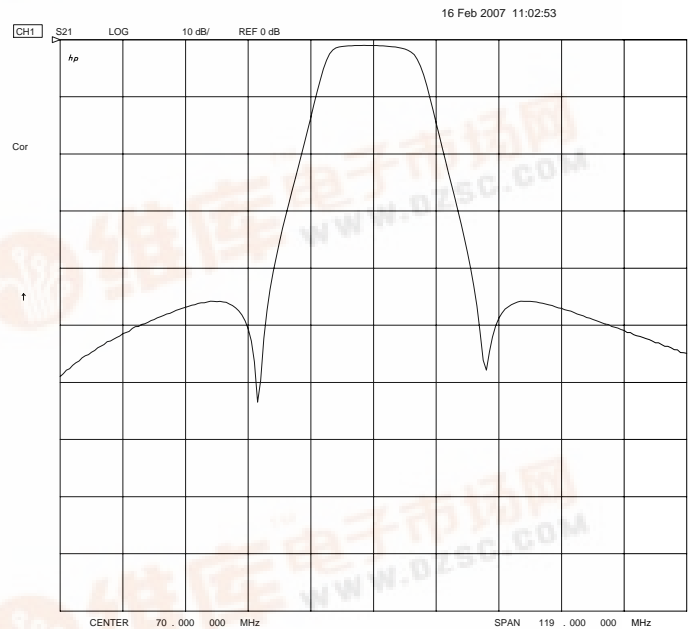
- 70 MHz Center Frequency
- 1 dB Bandwidth, 10 MHz min
- Surface Mount Package
- 50 Ω Source and Load

Typical Performance

Passband Amplitude & Group Delay
(1 dB/div and 5 nsec/div)



Overall Response
(10 dB/div)



KR Electronics, Inc.
91 Avenel Street
Avenel, NJ 07001

Web www.krfilters.com
Email sales@krfilters.com
Phone (732) 636-1900
Fax (732) 636-1982

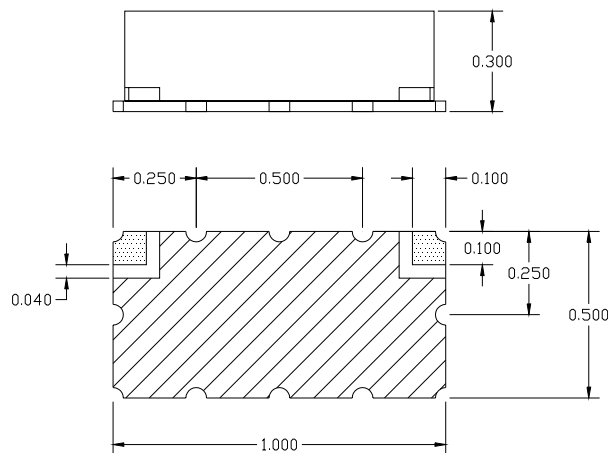


KR Electronics 2761 Bandpass

Specifications

Parameter	Specification	Typical
Filter type	Bandpass	
Center Frequency	70 MHz	
Insertion Loss	< 2 dB	1 dB
1 dB Bandwidth	10 MHz min	17 MHz
Attenuation at 50 MHz	> 40 dB	
Attenuation at 90 MHz	> 40 dB	
Source and Load	50 Ω	

Physical Dimensions



Notes:

1. Surface mount package — Metal cover (can also be supplied in a package with SMA Connectors)
2. Dimensions in inches
3. Maximum reflow temperature is 209° C for 15 sec maximum.
4. If boards are cleaned after installation, dry units completely.