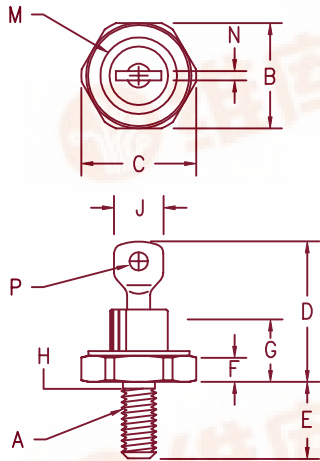


Silicon Power Rectifier S/R25 Series

查询"1N1199CR"供应商



Notes:

- 10-32 UNF3A
- Full threads within 2 1/2 threads
- Standard Polarity: Stud is Cathode
Reverse Polarity: Stud is Anode

Dim.	Inches		Millimeter		Notes
	Minimum	Maximum	Minimum	Maximum	
A	---	---	---	---	1
B	.424	.437	10.77	11.10	
C	---	.505	---	12.82	
D	.600	.800	15.24	20.32	
E	.422	.453	10.72	11.50	
F	.075	.175	1.91	4.44	
G	---	.405	---	10.29	
H	.163	.189	4.15	4.80	2
J	---	.310	---	7.87	
M	---	.350	---	8.89	Dia
N	.020	.065	.510	1.65	
P	.070	.100	1.78	2.54	Dia

Microsemi
Catalog Number

1N1199C
1N1200C
1N1201C
*S2520
*S2540
*S2560
*S2580
*S25100
*S25120
*S25140
*S25160

Peak Reverse
Voltage

1N3615 50V
1N3616 100V
1N3617 150V
1N3618 200V
1N3619 300V
1N3620 400V
1N3621 500V
1N3622 600V
1N3623 800V
1N3624 1000V
1200V
1400V
1600V

*Change S to R in part number for Reverse Polarity
For 1N types, add R suffix for Reverse Polarity

D0203AA (D04)

- Glass Passivated Die
- Low Forward Voltage
- 400A Surge Rating
- Glass to metal seal construction
- V_{RRM} to 1600V
- Excellent reliability

Electrical Characteristics

Average forward current $I_{F(AV)}$ 25 Amps
Maximum surge current I_{FSM} 400 Amps
Max $I^2 t$ for fusing $I^2 t$ 660 A²s
Max peak forward voltage V_{FM} 1.1 Volts
Max peak reverse current I_{RM} 10 μ A
Max peak reverse current I_{RM} 1.0 mA
Max Recommended Operating Frequency 10kHz

$T_C = 134^\circ\text{C}$, half sine wave, $R_{\theta JC} = 2.0^\circ\text{C/W}$
8.3ms, half sine, $T_J = 200^\circ\text{C}$

$I_{FM} = 30A; T_J = 25^\circ\text{C}$
 $V_{RRM}; T_J = 25^\circ\text{C}$
 $V_{RRM}; T_J = 150^\circ\text{C}$

*Pulse test: Pulse width 300 μ sec. Duty cycle 2%

Thermal and Mechanical Characteristics

Storage temperature range
Operating junction temp range
Maximum thermal resistance
Mounting torque
Weight

T_{STG}
 T_J
 $R_{\theta JC}$

-65°C to 200°C
 -65°C to 200°C
 2.0°C/W Junction to Case
25-30 inch pounds
.16 ounces (5.0 grams) typical

11-15-00 Rev. 2



COLORADO

Microsemi

800 Hoyt Street
Broomfield, CO. 80020
PH: (303) 469-2161
FAX: (303) 466-3775
www.microsemi.com

S/R25

[查询"1N1199CR"供应商](#)

Figure 1
Maximum Forward Characteristics

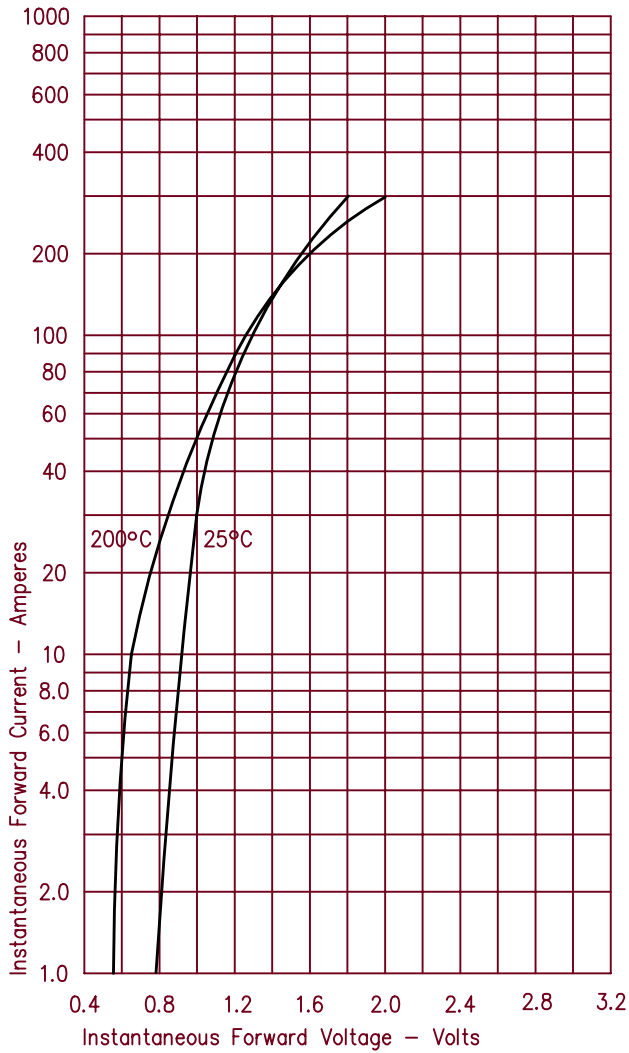


Figure 3
Forward Current Derating

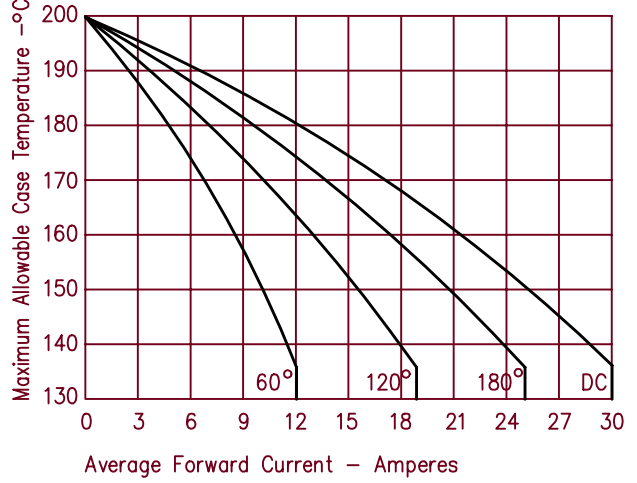


Figure 4
Transient Thermal Impedance

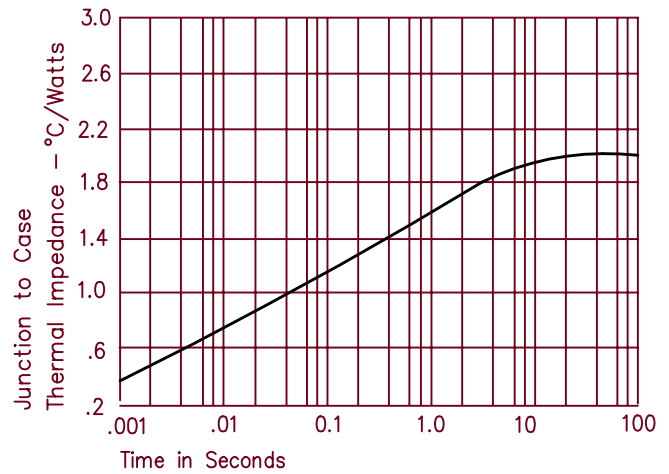


Figure 2
Typical Reverse Characteristics

