



20mm MOV Assemblies

MAXIMUM RATINGS						ELECTRICAL CHARACTERISTICS				
P/N	MOVS PER ASSY	CONTINUOUS AC LINE VOLTAGE	TRANSIENT			VARISTOR VOLTAGE (@ 1 mA DC)		MAXIMUM CLAMPING VOLTAGE @ TEST CURRENT (8 x 20 µs)		TYPICAL CAPACITANCE (@ 1 kHz)
			ENERGY (10 x 1000µs)	PEAK CURRENT (8 x 20 µs)	MAXIMUM POWER DISSIPATION RATING (Pm)	MIN	MAX	VOLTS	AMP	
		VOLTS	JOULES	AMP	Pm – WATTS	VOLTS	VOLTS	VOLTS	AMP	pF
CS811	1	120	65	6500	1.0	170	207	320	100	2500
CS821	1	240	130	6500	1.0	354	432	650	100	920
CS831	3	240	130	6500	1.0	354	432	650	100	920
CS841	3	480	180	6500	1.0	679	829	1240	100	800
CS851	3	575	220	6500	1.0	621	1002	1500	100	670
CS861	4	240	130	6500	2.0	340	414	640	100	1250
CS871	4	480	260	6500	2.0	708	864	1300	100	460
CS881	4	575	300	6500	2.0	850	1036	1580	100	365

Note: Values shown above represent typical line-to-line or line-to-ground characteristics based on the ratings of the original MOVs. Values may differ slightly depending upon actual Manufacturer Specifications of MOVs installed in modules. Modules are manufactured utilizing UL-Listed and Recognized Components. Consult factory for CSA information.

MOV MODULES PART NUMBER GUIDE CS8 X X X X

HVPSI MOV MODULE

SUPPLY VOLTAGE

- 1 – 1Ø, 1 MOV, 120V
- 2 – 1Ø, 1 MOV, 240V
- 3 – 3Ø, 3 MOV, 240V
- 4 – 3Ø, 3 MOV, 480V
- 5 – 3Ø, 3 MOV, 575V
- 6 – 3Ø, 4 MOV, 240V
- 7 – 3Ø, 4 MOV, 480V
- 8 – 3Ø, 4 MOV, 575V

MOV DIA.

- 1 – 20mm
- 2 – 14mm
- 3 – 10mm
- 4 – 7mm

TERMINATION

- 1 – 12" WIRE LEAD
- 2 – THREADED POST
- 3 – 1/4" MALE QUICK DISC.
- 4 – SCREW TERMINAL

CASE

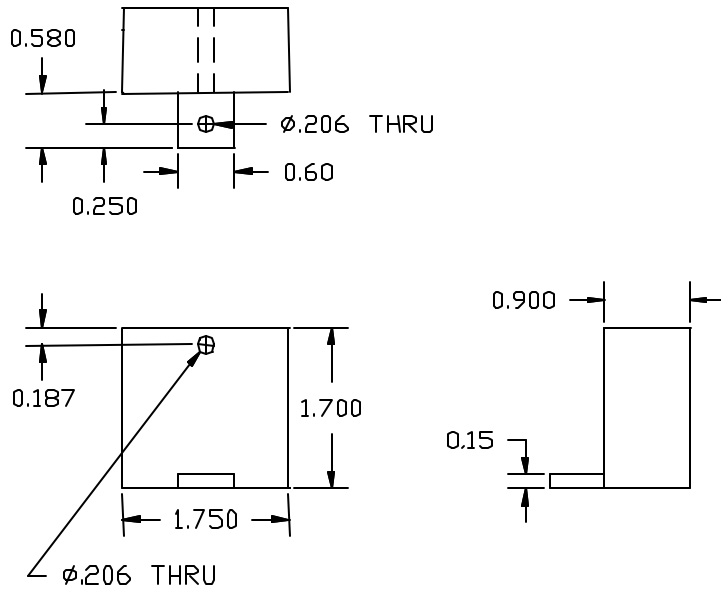
- A – SINGLE FOOT
- B – DOUBLE FOOT
- C – CENTER MOUNT
- D – DEEP CASE
- E – SMALL DOUBLE FOOT

Rev 1, May 2002

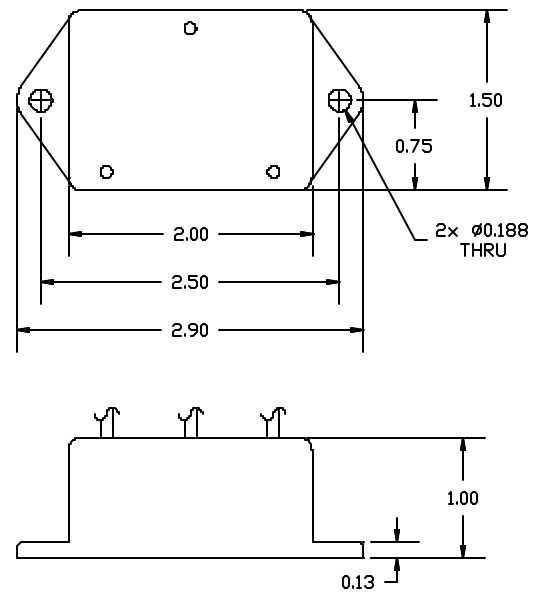


MECHANICAL DIMENSIONS

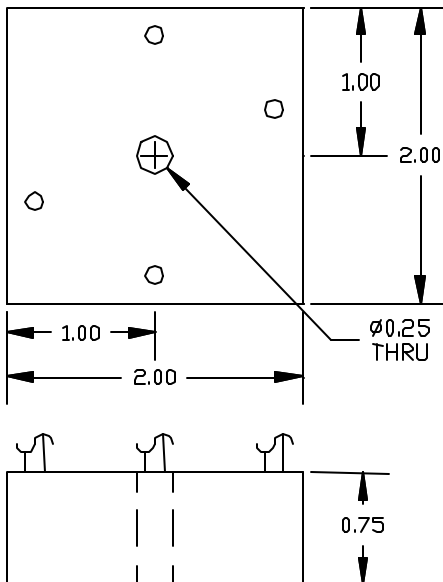
A Package



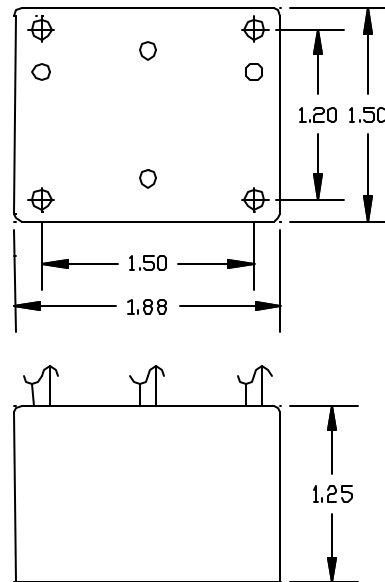
B Package



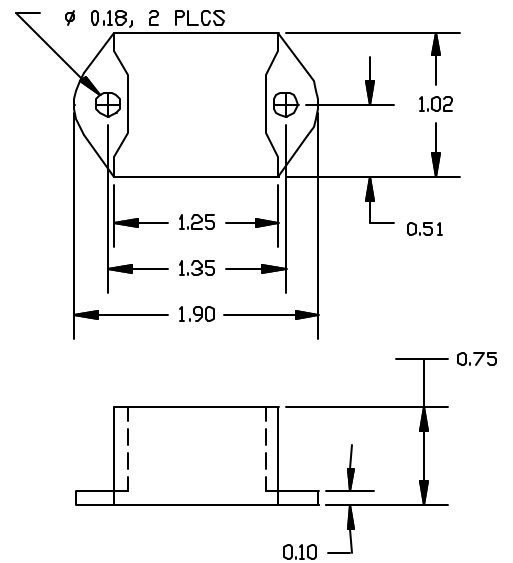
C Package



D Package



E Package



Dimensions in Inches.
 Standard line wires are 12" 18 AWG white wires.
 Standard ground wire is 12" 18 AWG green wire.