

查询"SMAW200"供应商

2.00mm (0.079") PITCH CONNECTOR

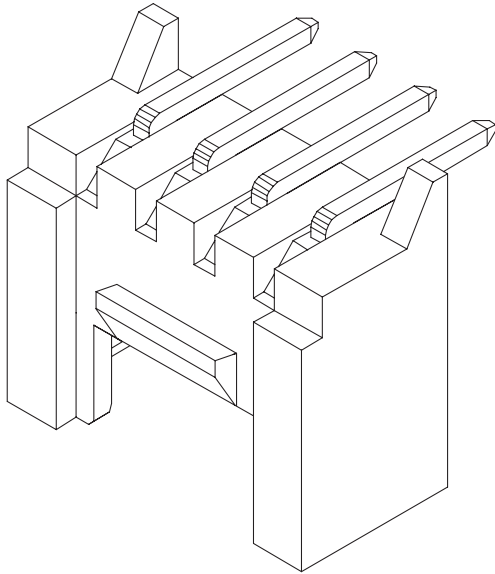


Wire-to-Board
Wafer

SMAW200 Series

DIP

Right Angle

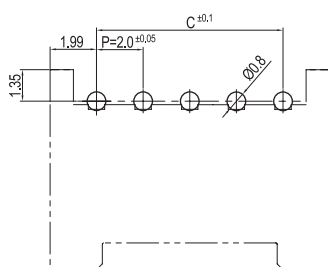
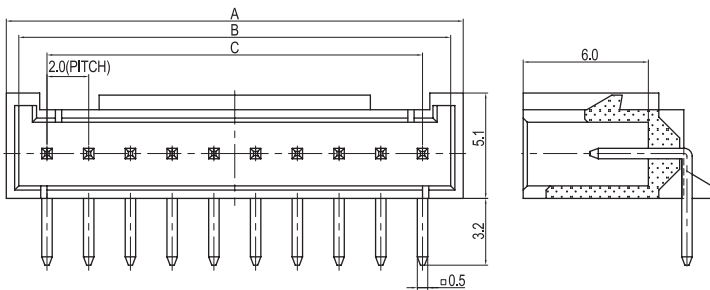
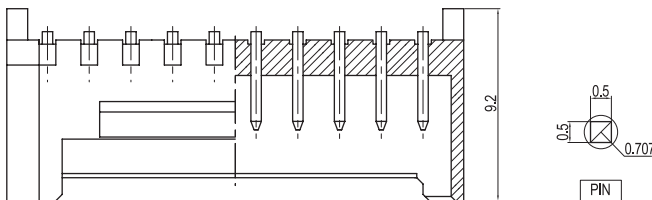


Material

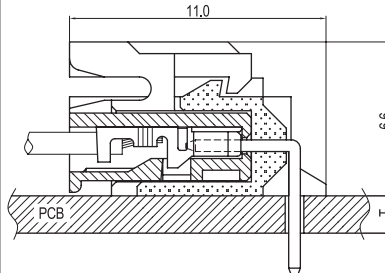
I/NO	DESCRIPTION	TITLE	MATERIAL
1	WAFER	SMAW200	PA66, UL 94V Grade
2	PIN		Brass & Tin Plated

Available Pin

PARTS NO.	DIM. A	DIM. B	DIM. C
SMAW200-02P	5.98	4.75	2.0
SMAW200-03P	7.98	6.75	4.0
SMAW200-04P	9.98	8.75	6.0
SMAW200-05P	11.98	10.75	8.0
SMAW200-06P	13.98	12.75	10.0
SMAW200-07P	15.98	14.75	12.0
SMAW200-08P	17.98	16.75	14.0
SMAW200-09P	19.98	18.75	16.0
SMAW200-10P	21.98	20.75	18.0
SMAW200-11P	23.98	22.75	20.0
SMAW200-12P	25.98	24.75	22.0
SMAW200-13P	27.98	26.75	24.0
SMAW200-14P	29.98	28.75	26.0
SMAW200-15P	31.98	30.75	28.0



PCB LAYOUT



PCB ASS'Y

Specification

ITEM	SPEC
Voltage Rating	AC/DC 250V
Current Rating	AC/DC 3A
Operating Temperature	-25°C~+85°C
Contact Resistance	30mΩ MAX
Withstanding Voltage	AC1000V/1min
Insulation Resistance	1000MΩ MIN
Applicable Wire	-
Applicable P.C.B	1.2~1.6mm
Applicable FPC/FFC	-
Solder Height	-
Crimp Tensile Strength	-
UL FILE NO	E108706