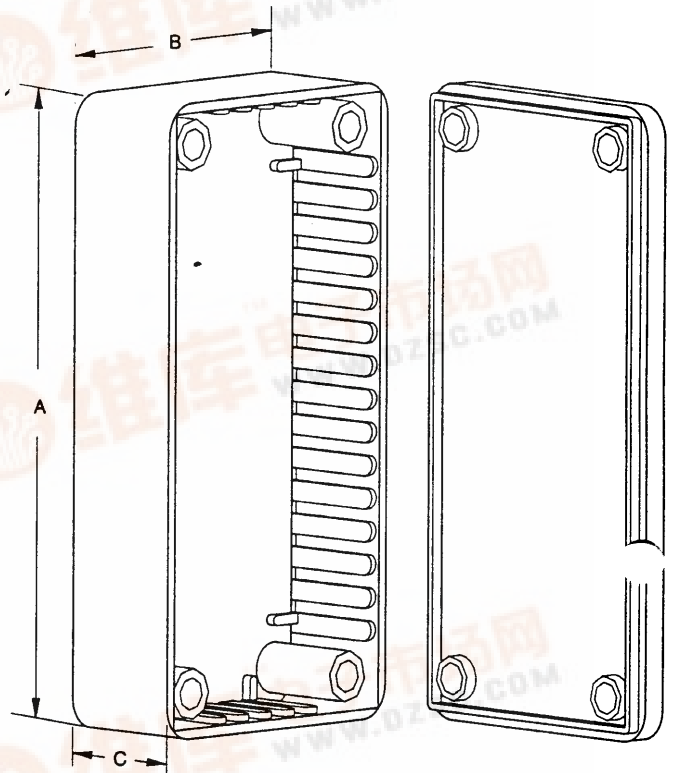


# 1591 Series

## Plastic General Purpose Case

查询 1591BSBK 供应商



### Application

- Electronic instrument enclosures, ideally suited for mounting printed circuit boards.

### Construction

- Two piece lap joint construction provides protection against dust accumulation and splashing water.
- Also provides an improved surface for EMI/RFI shielding.
- Interlocking flange on lid.
- Designed to meet IP54.
- Integral card guides accept 1.5 mm (0.062") P.C. cards.
- Both 1591E and 1591H cases have 6 mounting holes.
- 1591E has a removable center brace.

### Flame Retardant ABS Version

- Medium impact flame retardant ABS carries a UL flammability rating of 94 V-O at 1.47 mm (.06") thickness.
- Countersunk lid is secured with M3 x 0.5" x 10 mm (0.39") Philips machine screws, threaded into tapped integral brass bushings.

- Standard FR-ABS cases are stocked in beige, black, blue, and grey.
- EMI/RFI shielded FR-ABS cases are stocked in black (see table).
- FR-ABS cases with aluminum lids (paper one side) are stocked in black. Aluminum lid is secured with M3 x 0.5" x 4 mm (0.16") screws.

### High Impact Polystyrene Version

- High impact polystyrene plastic.
- Countersunk lid is secured with self-tapping #4 x 0.5" slotted screws.
- Stocked in black.

### Accessories

#### Optional clear plastic lids

- Available on special order. Prototype quantities are available from stock. Specify 1591"-C.

#### PC card adaptors

- 1591 Z6 - Pkg. of 6
- 1591 Z50 - Pkg. of 50
- 1591 Z100 - Pkg. of 100

### Replacement Screws

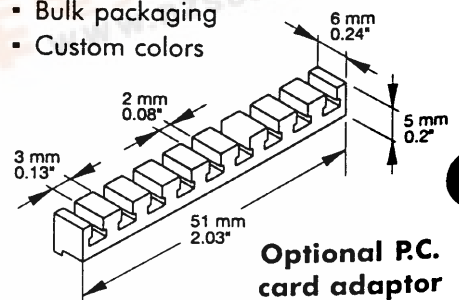
- 1591 MS100 - Pkg. of 100 M3 x 1.27 mm 0.5" x 10 mm (0.39") screws for FR-ABS 1591 cases.
- 1591 TS100 - Pkg. of 100 #4 x 0.5" self tapping screws for Styrene 1591 cases.
- 1591 MM100 - Pkg. of 100 M3 x 0.5" x 4 mm (0.16) screws for 1591 with aluminum lids.

### Belt or Pocket Clip

- Available in black.
- Easy to install with 2 screws (supplied).
- Part No. 1599CLIP

### Modifications

- Hole punching and machining
- Silk screening
- Bulk packaging
- Custom colors



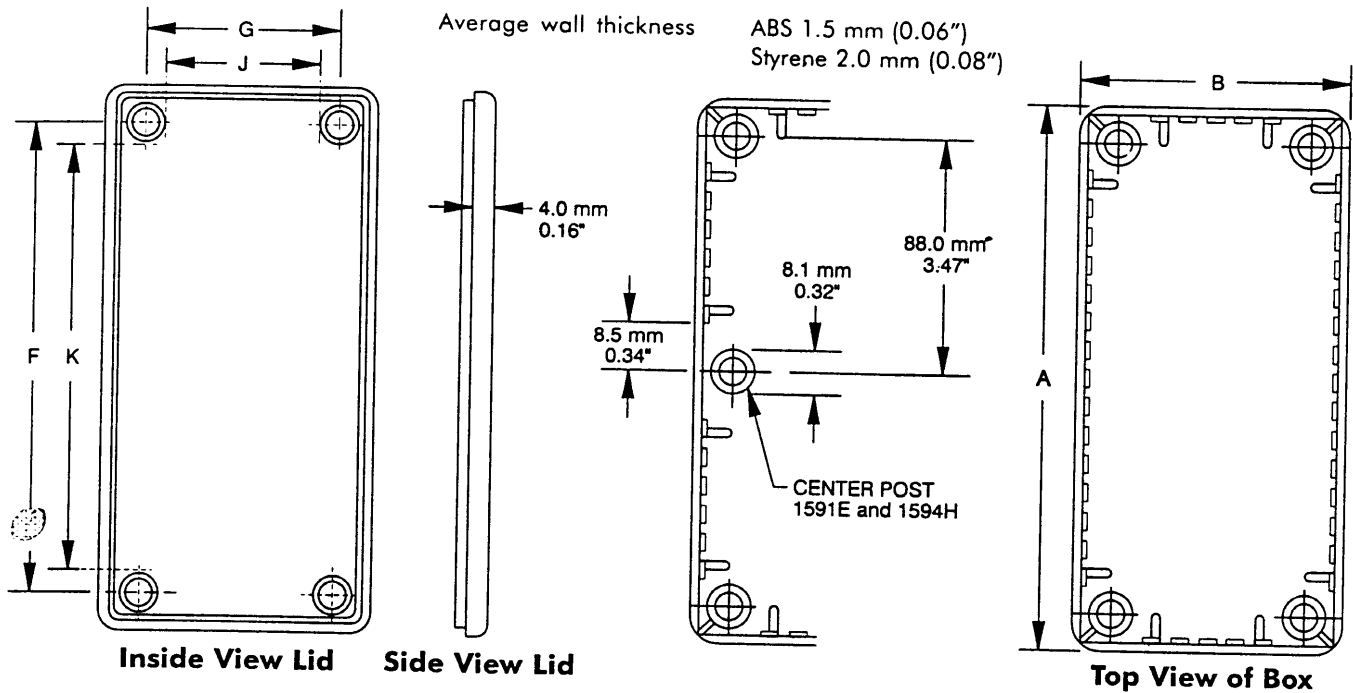
3536543.

# 1591 Series



查询"1591BSBK"供应商

## Plastic General Purpose Case



Note: Assembled height = dimension "C" + 4.0 mm (0.16")

FR-ABS CASE PART No.	SHIELDED FR-ABS CASE PART No.	FR-ABS CASE METAL LID PART No.	POLYSTYRENE CASE PART No.	UNITS	DIMENSIONS						
					A	B	C	F	G	J	K
1591L"—	1591RLBK	1591LMBK	1591LSBK	mm	85.0	56.0	35.0	71.0	42.0	34.0	63.0
				in.	3.3	2.2	1.4	2.8	1.7	1.3	2.5
1591A"—	1591RABK	1591AMBK	1591ASBK	mm	100.0	50.0	21.0	86.0	36.0	28.0	78.0
				in.	3.9	2.0	0.8	3.4	1.4	1.1	3.9
1591B"—	1591RBBK	1591BMBK	1591BSBK	mm	112.0	62.0	27.0	98.0	48.0	40.0	90.0
				in.	4.4	2.4	1.1	3.8	1.9	1.6	3.5
1591C"—	1591RCBK	1591CMBK	1591CSBK	mm	120.0	65.0	36.0	106.0	51.0	43.0	98.0
				in.	4.7	2.6	1.4	4.2	2.0	1.6	3.9
1591D"—	1591RDBK	1591DMBK	1591DSBK	mm	150.0	80.0	46.0	136.0	66.0	58.0	128.0
				in.	5.9	3.1	1.8	5.4	2.6	2.3	5.0
1591E"—	1591REBK	1591EMBK	1591ESBK	mm	190.0	110.0	57.0	176.0	96.0	88.0	168.0
				in.	7.5	4.4	2.2	6.9	3.8	3.5	6.6
1591G"—	1591RGBK	1591GMBK	1591GSBK	mm	121.0	94.0	30.0	106.0	79.0	71.0	98.0
				in.	4.8	3.7	1.2	4.2	3.1	2.8	3.9
1591H"—	1591RHBK	1591HMBK	1591HSBK	mm	166.0	71.0	25.0	151.0	56.0	48.0	143.0
				in.	6.5	2.8	1.0	5.9	2.2	1.9	5.7
1591S"—	1591RSBK	1591SMBK	1591SSBK	mm	110.0	82.0	40.0	96.0	68.0	60.0	88.0
				in.	4.3	3.2	1.6	3.8	2.7	2.4	3.5
1591T"—	1591RTBK	1591TMBK	1591TSBK	mm	120.0	80.0	55.0	106.0	66.0	58.0	98.0
				in.	4.7	3.2	2.2	4.2	2.6	2.3	3.9
1591U"—	1591RUBK	1591UMBK	1591USBK	mm	120.0	120.0	55.0	106.0	106.0	98.0	98.0
				in.	4.7	4.7	2.2	4.2	4.2	3.9	3.9
1591V"—	1591RVBK	1591VMBK	1591VSBK	mm	120.0	120.0	90.0	106.0	106.0	98.0	98.0
				in.	4.7	4.7	3.5	4.2	4.2	3.9	3.9

"—" When ordering, specify color with suffixes BG (beige); BK (black); BU (blue); GY (grey)  
 Note: Inches are for reference only and are not exact. Use metric for precise measurements.

Data subject to change without notice

© Hammond Manufacturing