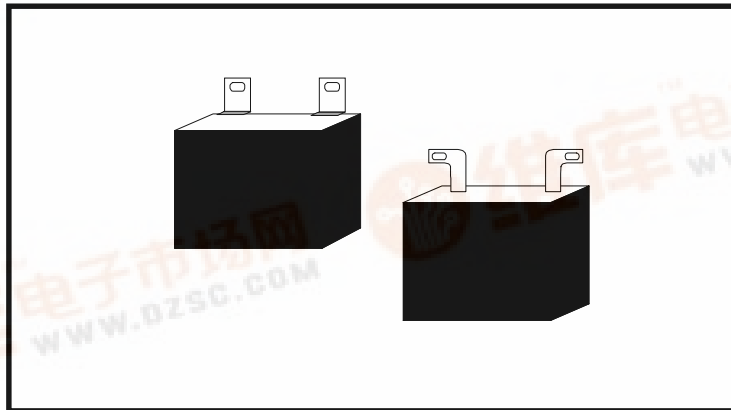


**ELECTRONIC FILM CAPACITORS, INC.**



**SERIES "PC"  
IGBT CAPACITORS**



**CONSTRUCTION:**

- Polypropylene dielectric internal series design with double sided metallized carrier, non-impregnated

**APPLICATIONS:**

- Uninterruptable power supplies (UPS)
- SCR commutation
- Switch mode power supply (SMPS) protection
- IGBT module protection

**CHARACTERISTICS:**

- Low ESR
- Low dielectric absorption
- High RMS/Peak currents
- Low self-inductance
- Screw terminals for easy IGBT mounting

**SPECIFICATIONS:**

Capacitance: 0.1  $\mu$ F to 1.5  $\mu$ F

Voltage: 850 VDC to 2000 VDC (450 VAC to 660 VAC)

Reidville Industrial Park \* 41 Interstate Lane  
WATERBURY, CONNECTICUT 06705

PHONE (203) 755-5629 FAX (203) 755-0659

Rev.4/97



**ELECTRONIC FILM CAPACITORS, INC.**

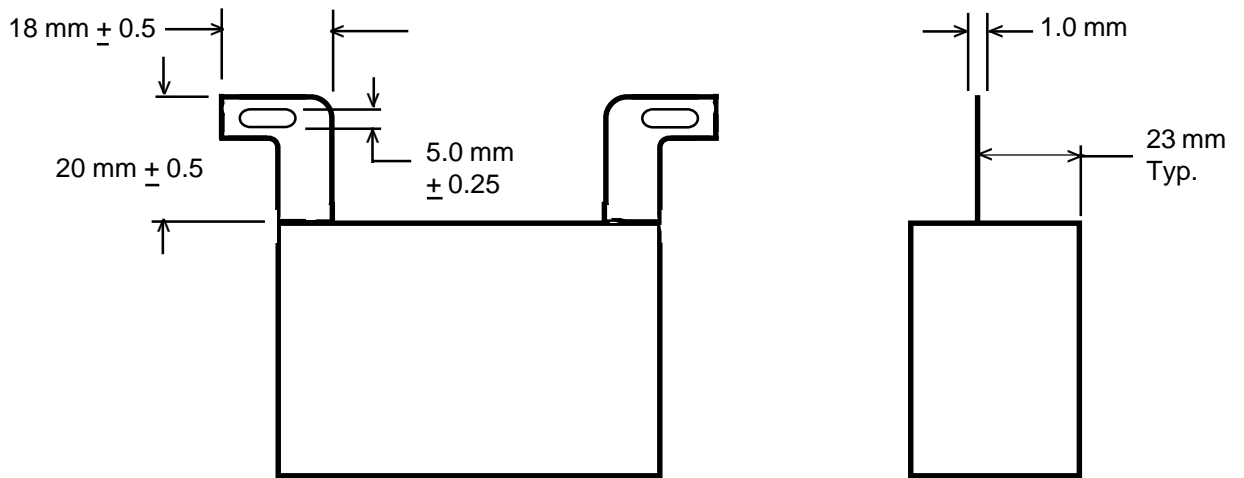


**SERIES PC1213EFR**

**IGBT CAPACITORS  
PHYSICAL DIMENSIONS**

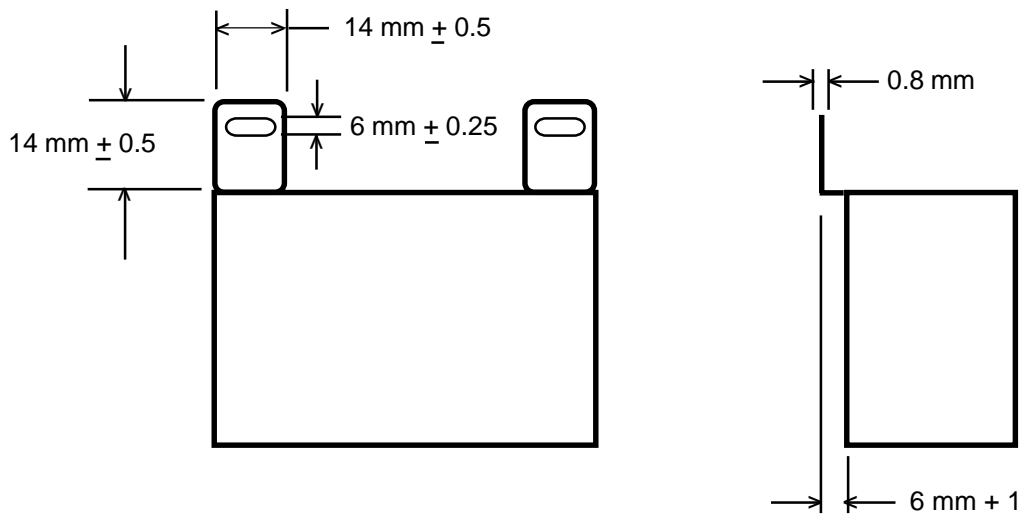
**Case Style "VR" or "ZR"**

(will accommodate 39 mm to 48 mm screw centers)



**Case Style "VO" or "ZO"**

(will accommodate 24 mm to 28 mm screw centers)



**ELECTRONIC FILM CAPACITORS, INC.**



**SERIES PC1213EFR**

**IGBT CAPACITORS  
DIMENSIONS AND RATINGS**

**850VDC/450VAC**

CAP. $\mu\text{F}$	T inches (mm)	H inches (mm)	L inches (mm)	CASE CODE	I (PEAK) amps	I (RMS) amps	ESR $\text{M}\Omega$	dV/dT $\text{V}/\mu\text{S}$
0.47	0.95 (24.0)	1.06 (27.0)	1.61 (41.0)	V	153	7.8	8.0	325
0.56	0.95 (24.0)	1.06 (27.0)	1.61 (41.0)	V	182	8.5	7.0	325
0.68	0.95 (24.0)	1.06 (27.0)	1.61 (41.0)	V	221	9.0	6.0	325
0.82	0.95 (24.0)	1.06 (27.0)	1.61 (41.0)	V	267	9.5	5.0	325
1.00	0.95 (24.0)	1.06 (27.0)	1.61 (41.0)	V	325	10.0	4.5	325
1.20	1.30 (33.0)	1.38 (35.0)	1.61 (41.0)	Z	390	11.5	4.0	325
1.50	1.30 (33.0)	1.38 (35.0)	1.61 (41.0)	Z	488	13.0	3.8	325

**1200VDC/500VAC**

CAP. $\mu\text{F}$	T inches (mm)	H inches (mm)	L inches (mm)	CASE CODE	I (PEAK) amps	I (RMS) amps	ESR $\text{M}\Omega$	dV/dT $\text{V}/\mu\text{S}$
0.15	0.95 (24.0)	1.06 (27.0)	1.61 (41.0)	V	90	7.3	12.0	600
0.22	0.95 (24.0)	1.06 (27.0)	1.61 (41.0)	V	132	7.5	9.0	600
0.33	0.95 (24.0)	1.06 (27.0)	1.61 (41.0)	V	198	8.5	7.0	600
0.47	0.95 (24.0)	1.06 (27.0)	1.61 (41.0)	V	282	9.0	6.0	600
0.56	0.95 (24.0)	1.06 (27.0)	1.61 (41.0)	V	336	9.5	5.0	600
0.68	0.95 (24.0)	1.06 (27.0)	1.61 (41.0)	V	408	10.0	4.5	600
0.82	1.30 (33.0)	1.38 (35.0)	1.61 (41.0)	Z	492	12.5	4.0	600
1.00	1.30 (33.0)	1.38 (35.0)	1.61 (41.0)	Z	600	13.5	3.0	600

**2000VDC/660VAC**

CAP. $\mu\text{F}$	T inches (mm)	H inches (mm)	L inches (mm)	CASE CODE	I (PEAK) amps	I (RMS) amps	ESR $\text{M}\Omega$	dV/dT $\text{V}/\mu\text{S}$
0.10	0.95 (24.0)	1.06 (27.0)	1.61 (41.0)	V	85	6.5	12.0	850
0.12	0.95 (24.0)	1.06 (27.0)	1.61 (41.0)	V	102	6.8	11.0	850
0.15	0.95 (24.0)	1.06 (27.0)	1.61 (41.0)	V	128	7.1	10.0	850
0.22	0.95 (24.0)	1.06 (27.0)	1.61 (41.0)	V	187	8.0	8.0	850
0.33	1.30 (33.0)	1.38 (35.0)	1.61 (41.0)	Z	281	10.5	6.5	850
0.47	1.30 (33.0)	1.38 (35.0)	1.61 (41.0)	Z	400	11.5	5.5	850

Reidville Industrial Park \* 41 Interstate Lane  
WATERBURY, CONNECTICUT 06705

PHONE (203) 755-5629 FAX (203) 755-0659

Rev. 4/97

**This datasheet has been downloaded from:**

**[www.EEworld.com.cn](http://www.EEworld.com.cn)**

**Free Download**

**Daily Updated Database**

**100% Free Datasheet Search Site**

**100% Free IC Replacement Search Site**

**Convenient Electronic Dictionary**

**Fast Search System**

**[www.EEworld.com.cn](http://www.EEworld.com.cn)**