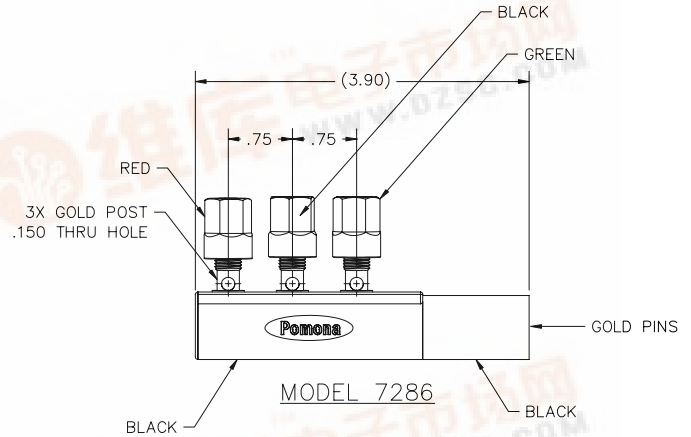


**Model 7286
XLR (M) / Triple Binding Post**



Model 7286 XLR (M) / Triple Binding Post

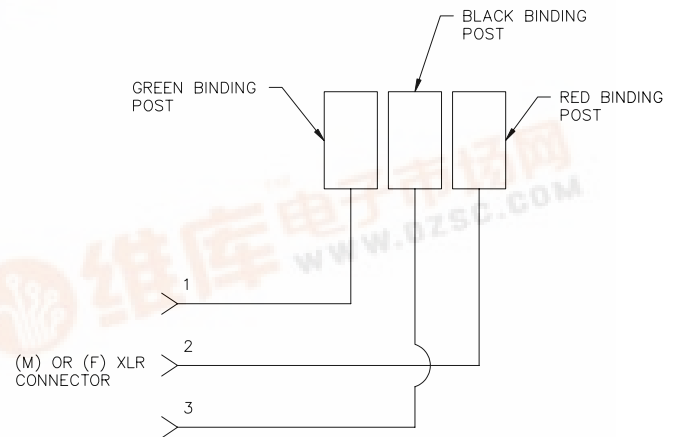
Features

- 5-way binding posts accept banana plugs vertically or horizontally, dual or triple banana plugs vertically or horizontally, bare wire via through-holes, alligator clips or spade lugs.
- XLR plug enables connection to audio cable links or broadcast system panels.
- Gold plated pins and binding posts for excellent conductivity.
- 3/4" Spacing between banana jacks allows dual or triple banana plug connections.
- Cross holes have large 3.8mm (0.150") diameter for easy wire access.
- Rugged body exterior.

Materials

- Adapter body is made of rugged ABS.
- Binding posts: gold plated brass. Nylon 6 hex nuts.
- XLR Body: Die cast zinc.
- XLR male center pin contacts: gold plated brass.

Connection Schematic



Specifications

- Voltage: 33 Vrms / 70 Vdc

Ordering Information

Model: 7286, XLR (M) / Triple Binding Post

USA: Sales: 800-490-2361

Technical Support: 800-241-2060 Fax: 888-403-3360

Europe: 31-(0) 40 2675 150 International: 425-446-5500

e mail: technicalsupport@pomonatest.com

Where to Buy: www.pomonaelectronics.com

All dimensions are in inches. Tolerances (except noted): .xx = ±.02" (.51 mm), .xxx = ±.005" (.127 mm). All specifications are to the latest revisions. Specifications are subject to change without notice. Registered trademarks are the property of their respective companies.

