



2039

NPN Triple Diffused Planar Silicon Transistor

T-33-11

Color TV Horizontal Deflection Output Applications(with Damper Diode)

©1755B

Applications

- High-voltage, power switching

Features

- Fast speed ($t_{max}=0.4\mu s$).
- High reliability (Adoption of HVP process).
- High breakdown voltage ($V_{CBO}=1500V$).
- Micaless package facilitating mounting operation.

Absolute Maximum Ratings at $T_a=25^\circ C$

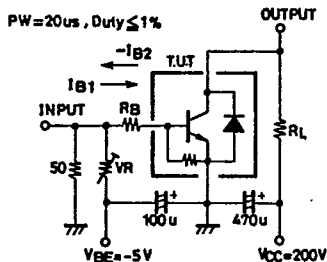
Parameter	Symbol	Value	unit
Collector to Base Voltage	V_{CBO}	1500	V
Collector to Emitter Voltage	V_{CEO}	800	V
Emitter to Base Voltage	V_{EBO}	6	V
Collector Current	I_C	2.5	A
Peak Collector Current	i_{cp}	10	A
Collector Dissipation	P_C	50	W
Junction Temperature	T_j	150	$^\circ C$
Storage Temperature	T_{stg}	-55 to +150	$^\circ C$

$T_C=25^\circ C$

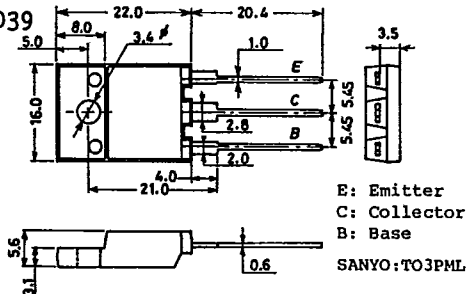
Electrical Characteristics at $T_a=25^\circ C$

Parameter	Symbol	Test Conditions	min	typ	max	unit
Collector Cutoff Current	I_{CBO}	$V_{CB}=800V, I_E=0$			10	μA
Emitter Cutoff Current	I_{EBO}	$V_{EB}=4V, I_C=0$	40		130	mA
DC Current Gain	h_{FE}	$V_{CE}=5V, I_C=0.5A$	8			
Gain Bandwidth Product	f_T	$V_{CE}=10V, I_C=0.5A$		3		MHz
Collector to Emitter Saturation Voltage	$V_{CE(sat)}$	$I_C=2A, I_B=0.6A$			8	V
Base to Emitter Saturation Voltage	$V_{BE(sat)}$	$I_C=2A, I_B=0.6A$			1.5	V
Collector to Base Breakdown Voltage	$V_{(BR)CBO}$	$I_C=5mA, I_E=0$	1500			V
Collector to Emitter Breakdown Voltage	$V_{(BR)CEO}$	$I_C=100mA, R_{BE}=\infty$	800			V
Emitter to Base Breakdown Voltage	$V_{(BR)EBO}$	$I_E=200mA, I_C=0$	7			V
Diode Forward Voltage	V_F	$I_{EC}=2.5A$			2	V
Fall Time	t_f	$I_C=2A, I_{B1}=0.6A, I_{B2}=-1.2A, V_{CC}=200V, R_L=100\Omega$			0.4	μs

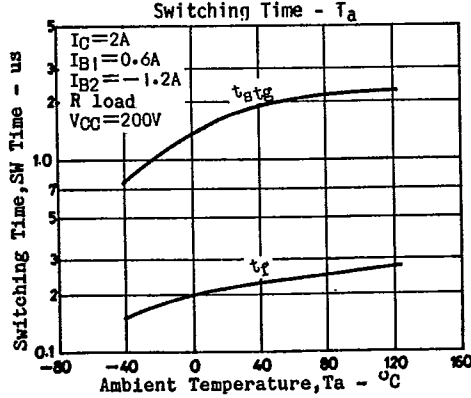
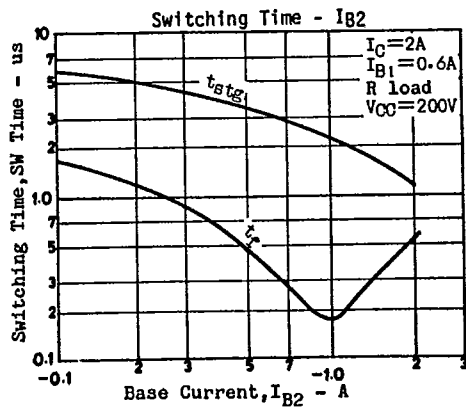
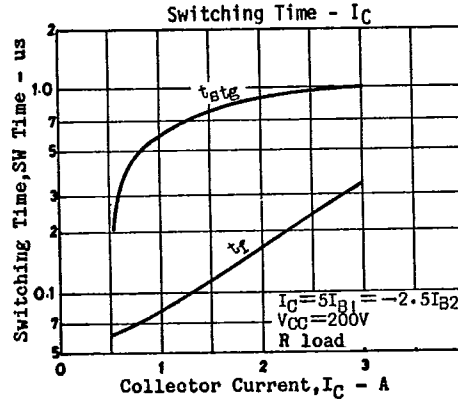
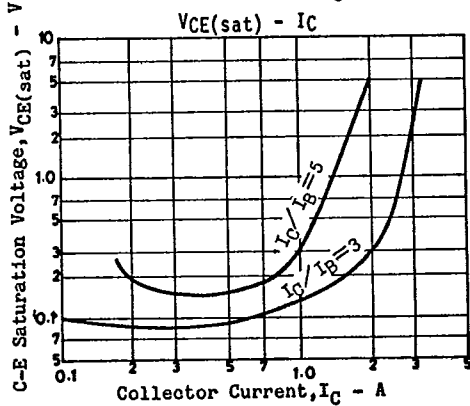
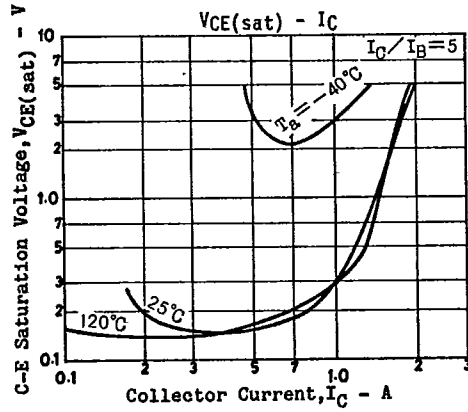
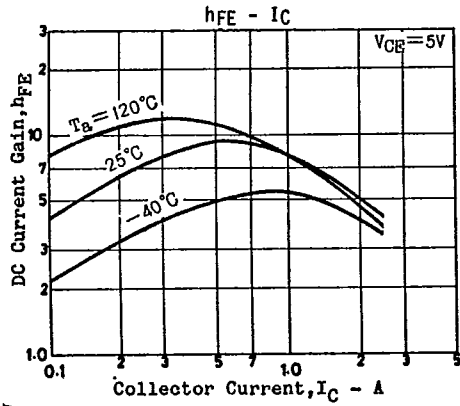
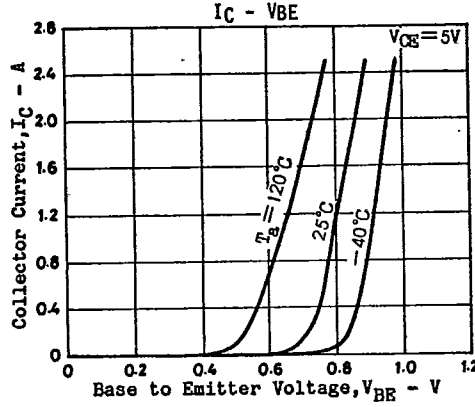
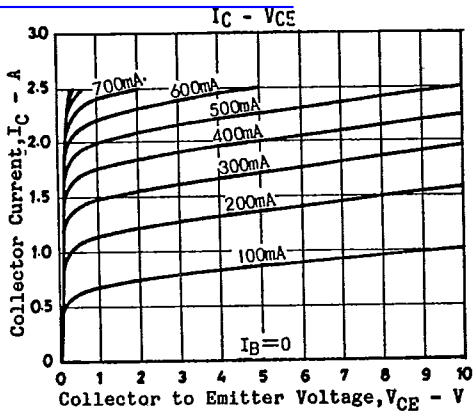
Switching Time Test Circuit



Case Outline 2039 (unit:mm)



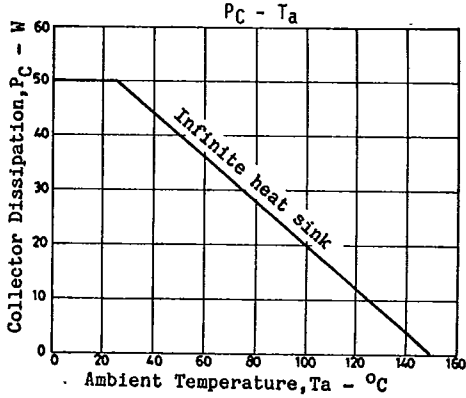
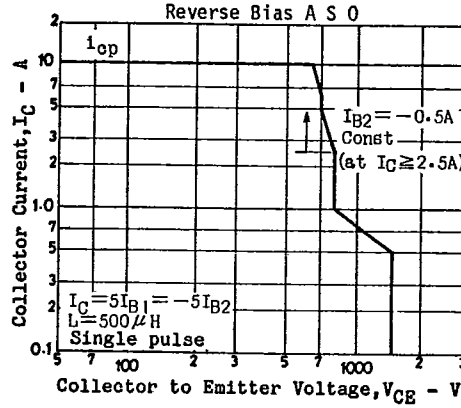
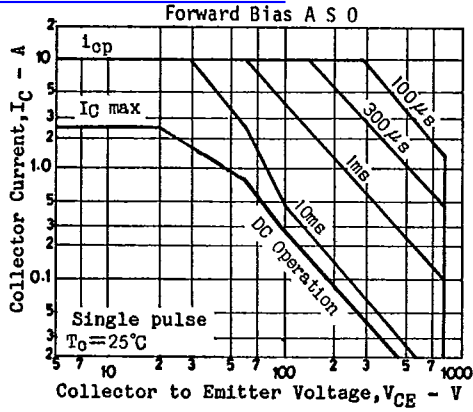
查询"2SD1649"供应商



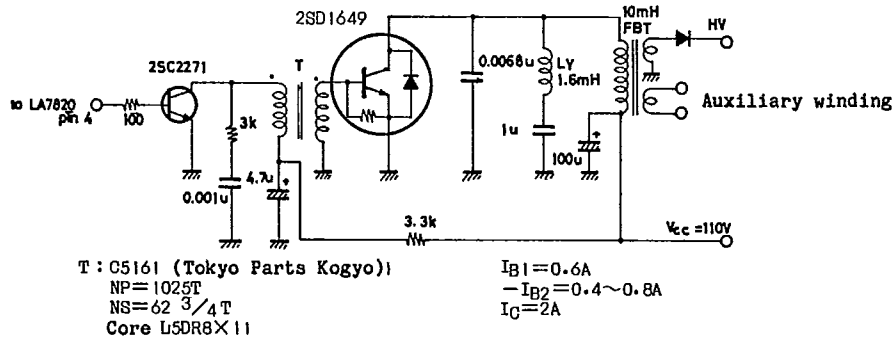
2SD1649

T-33-11

查询"2SD1649"供应商



Sample Application Circuit



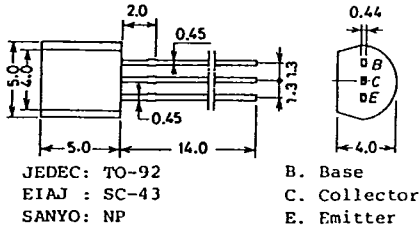
T-91-20

CASE OUTLINES AND ATTACHMENTS

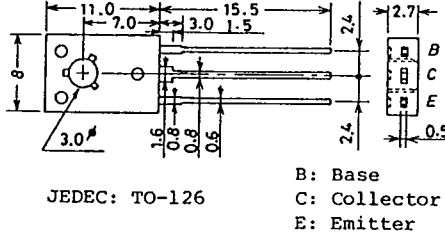
[查询"2SD1649"供应商](#)

- All of Sanyo Transistor case outlines are illustrated below.
- All dimensions are in mm, and dimensions which are not followed by min. or max. are represented by typical values.
- No marking is indicated.

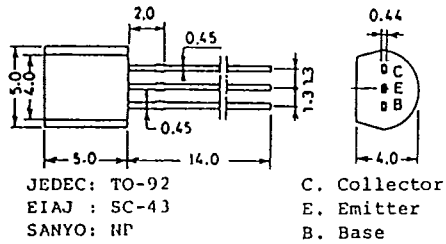
Case Outline-[2003A]
unit:mm



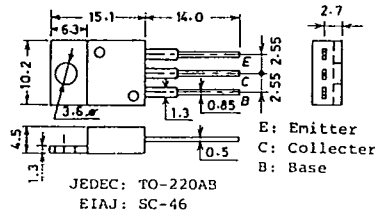
Case Outline-[2009A]
unit:mm



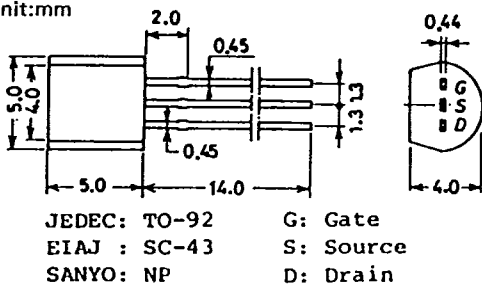
Case Outline-[2004A]
unit:mm



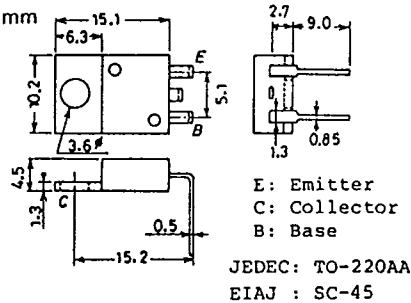
Case Outline-[2010A]
unit:mm



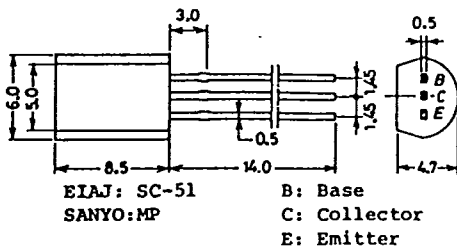
Case Outline-[2005A]
unit:mm



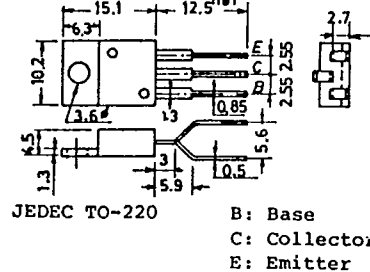
Case Outline-[2012]
unit:mm

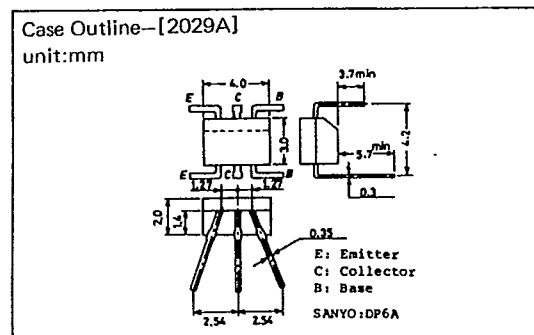
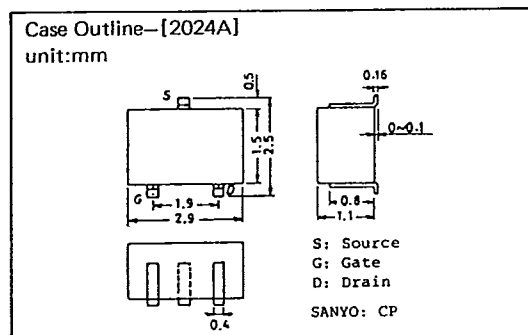
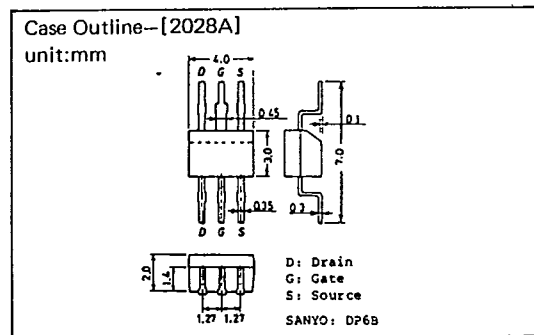
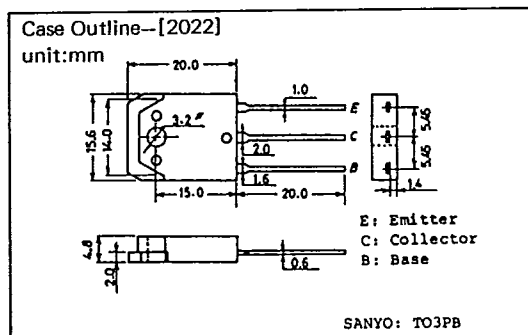
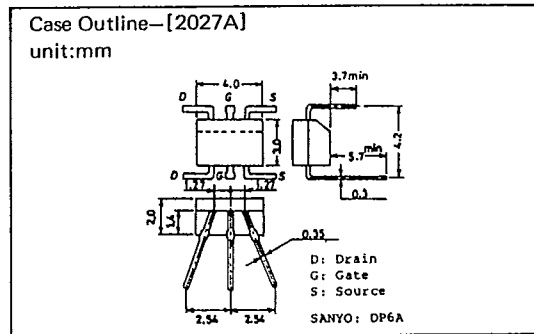
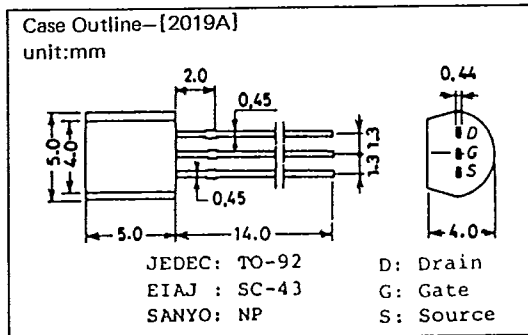
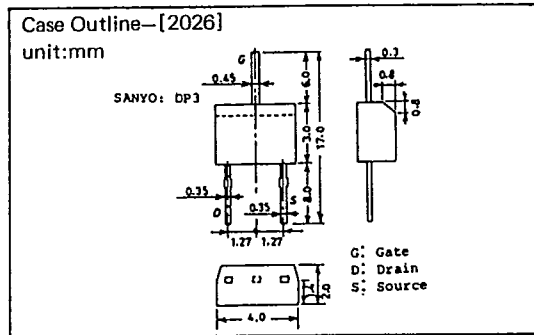
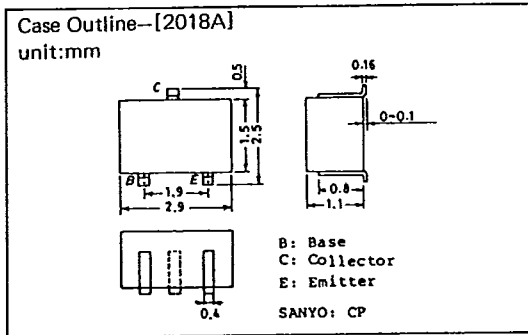
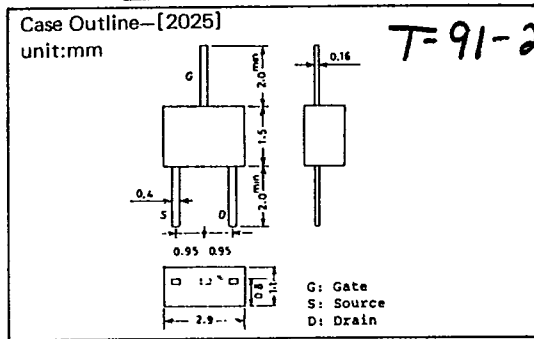
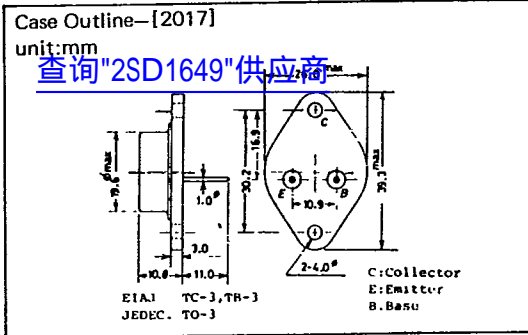


Case Outline-[2006A]
unit:mm



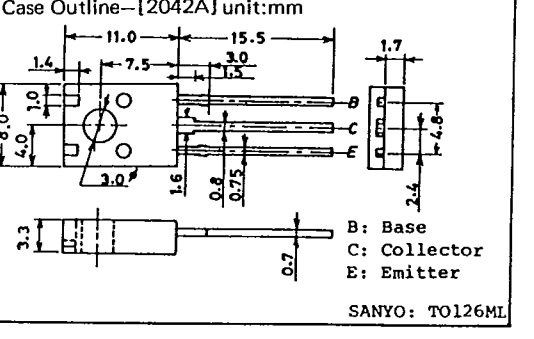
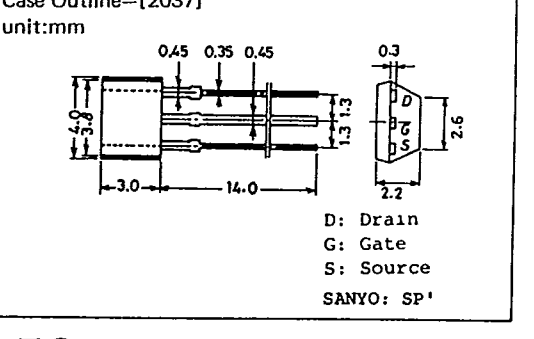
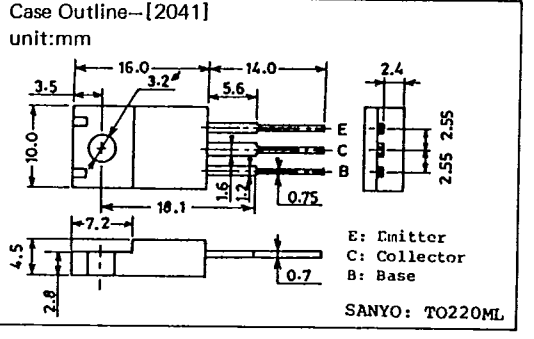
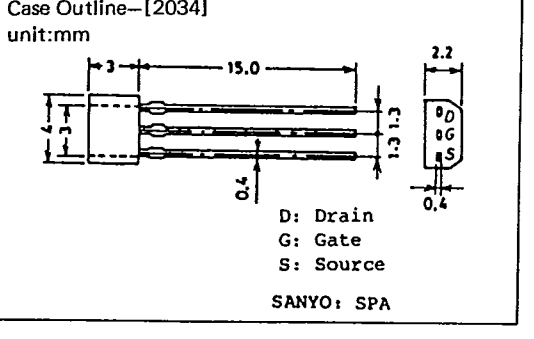
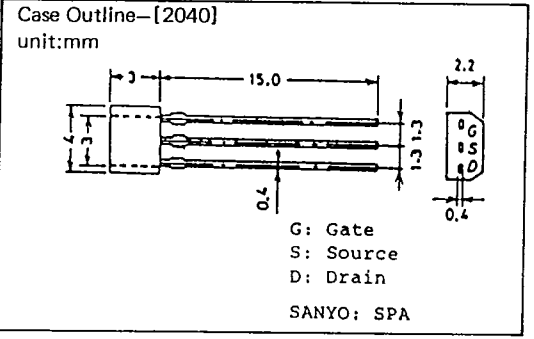
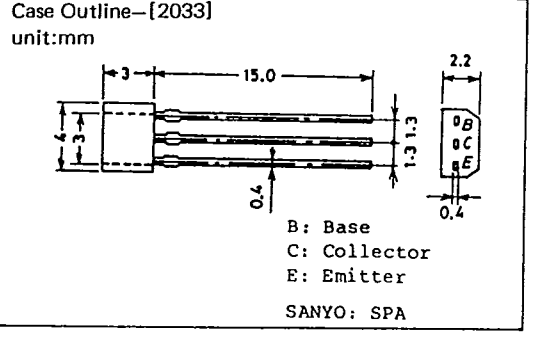
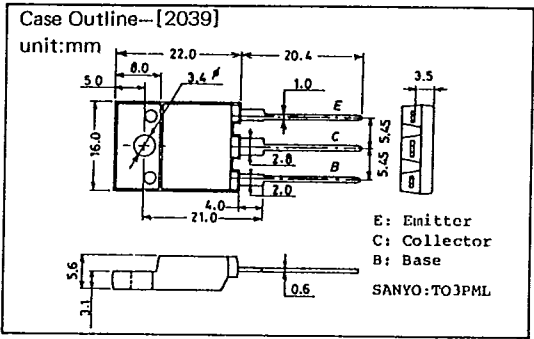
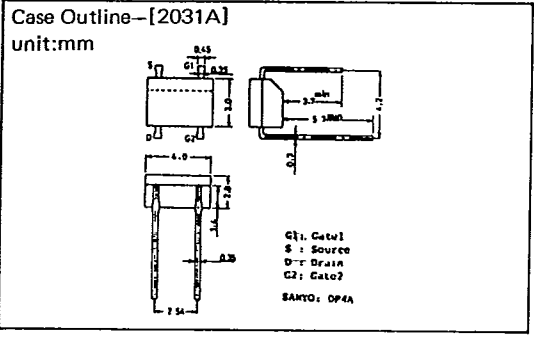
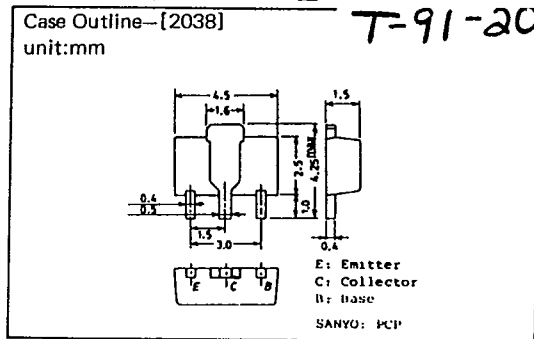
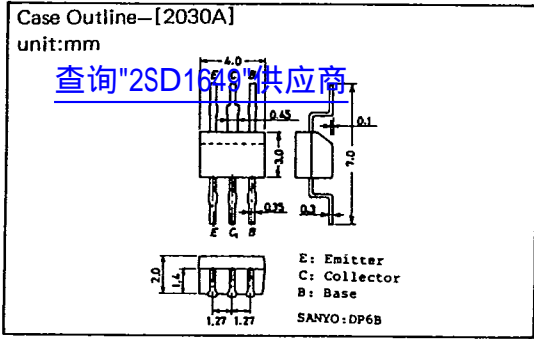
Case Outline-[2013]
unit:mm



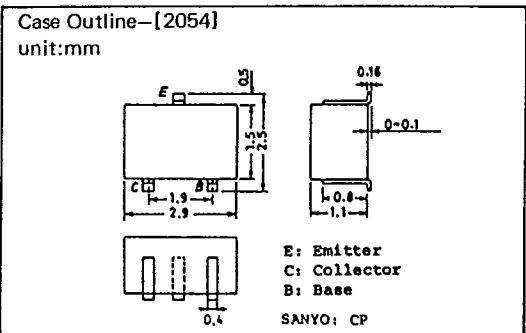
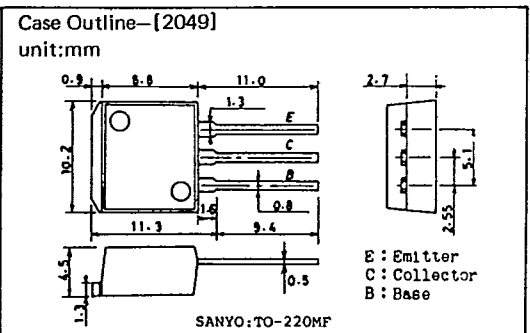
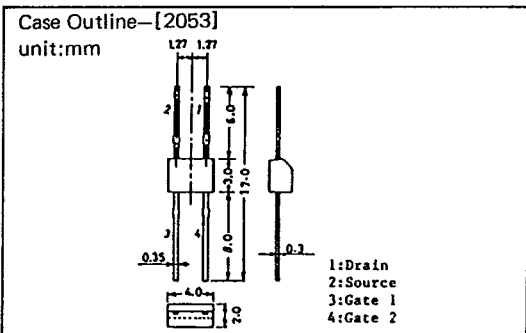
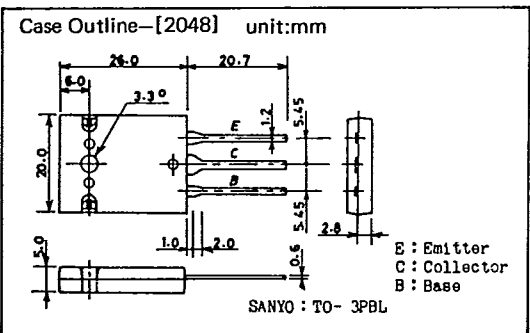
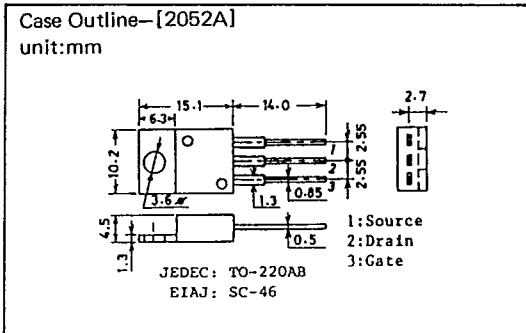
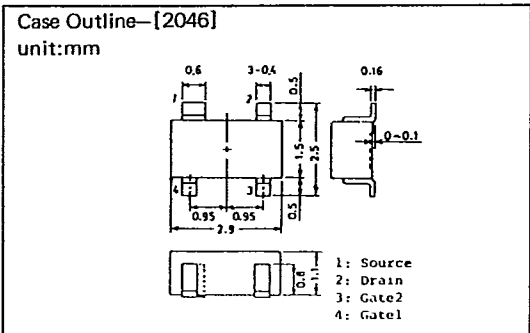
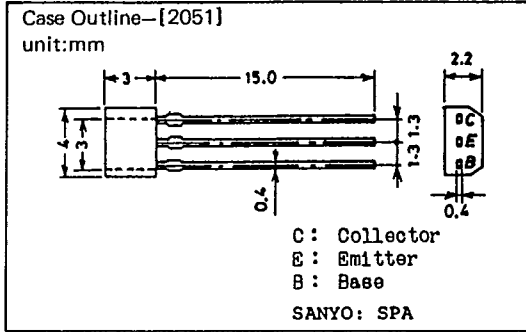
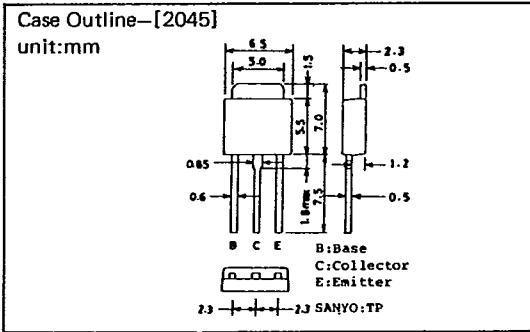
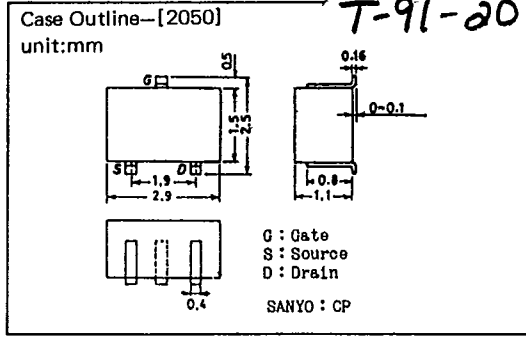
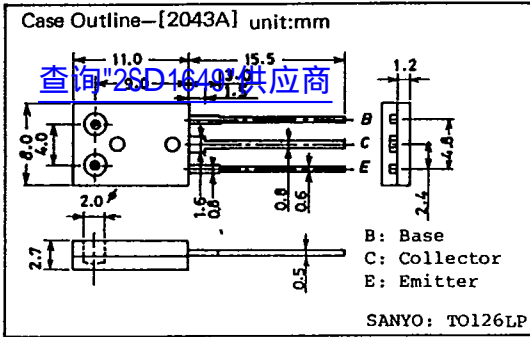


T-91-20

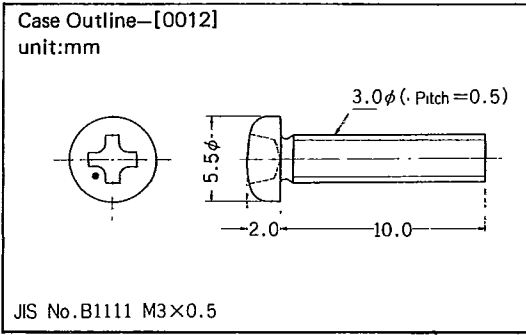
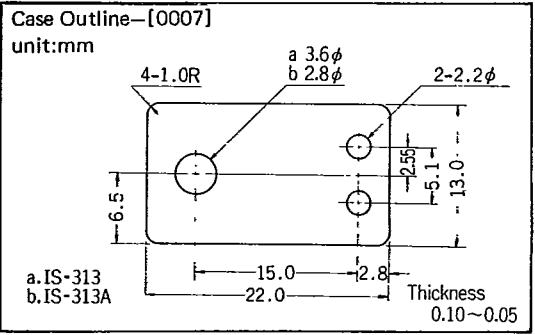
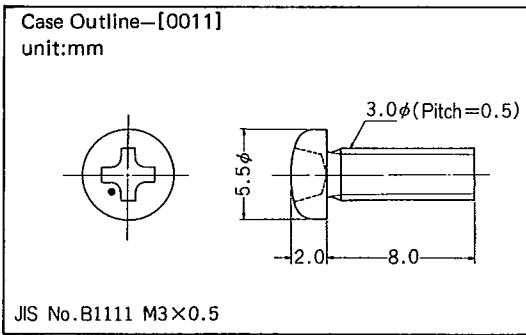
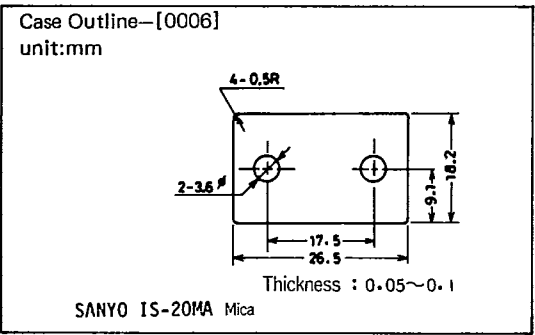
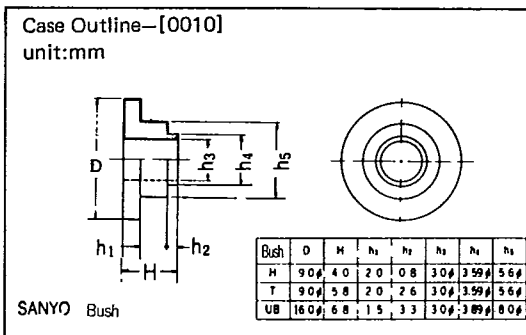
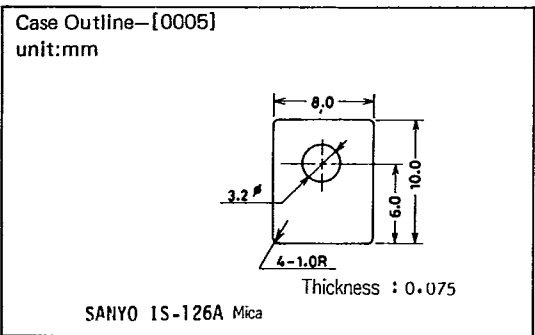
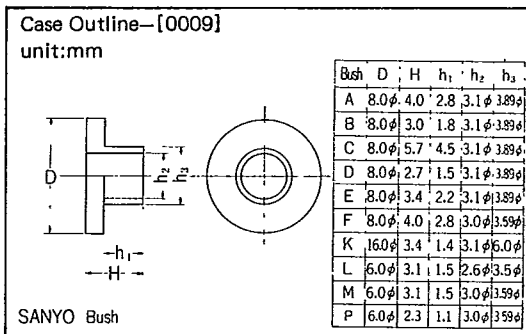
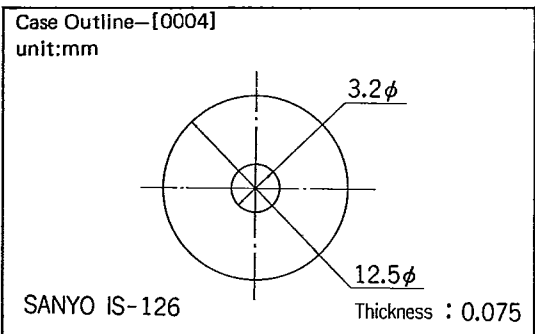
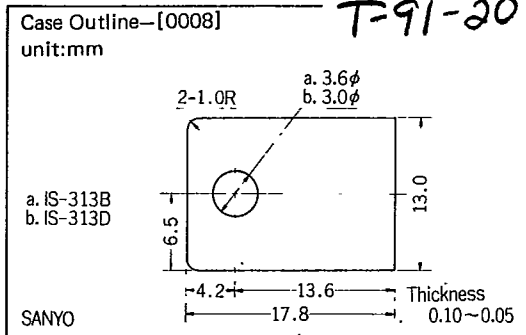
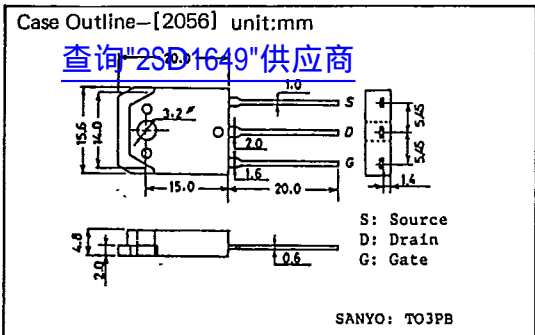
查询"2SD1619"供应商



T-91-20

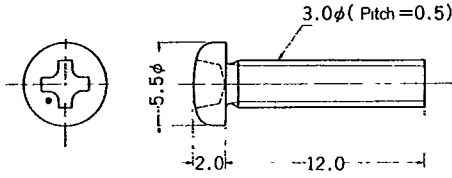


T-91-20



Case Outline-[0013]

unit:mm
[查询"2SD1649"供应商](#)

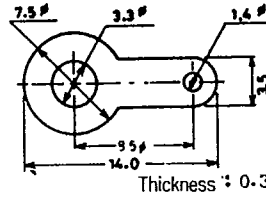


JIS No. B1111 M3×0.5

Case Outline-[0018]

unit:mm

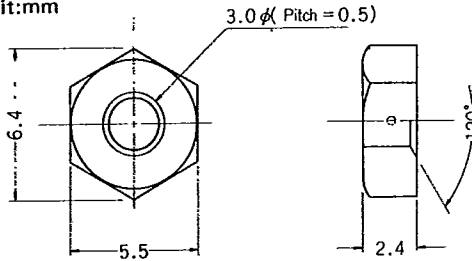
T-91-20



SANYO Lug 1.4

Case Outline-[0014]

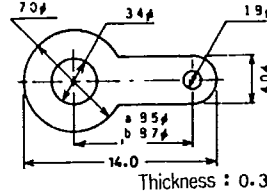
unit:mm



JIS No. B1181 M3×0.5

Case Outline-[0019]

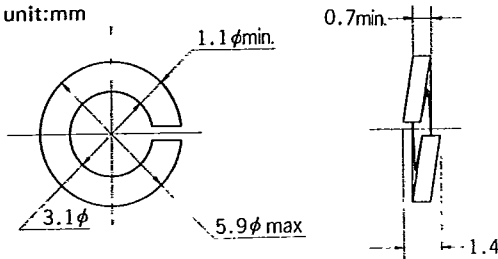
unit:mm



SANYO Lug 1.8φ

Case Outline-[0015]

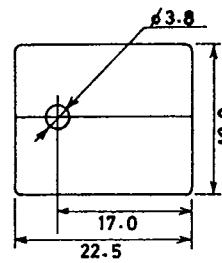
unit:mm



JIS No. B 1251 Spring washer (M3)

Case Outline-[0020]

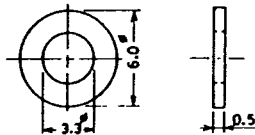
unit:mm



SANYO IS-3MP Mica

Case Outline-[0016]

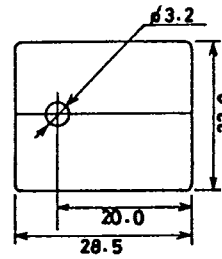
unit:mm



JIS No. B1252 Flat washer

Case Outline-[0021]

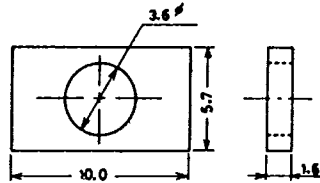
unit:mm



SANYO IS-MPC Mica

Case Outline-[0017]

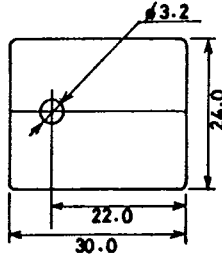
unit:mm



JIS No. G3141 Rectangular washer

Case Outline-[0022]

unit:mm



SANYO IS-3PBL Mica