



MOTOROLA

查询"MC13146"供应商

ARCHIVED BY FREESCALE SEMICONDUCTOR, INC. 2005

Low Power Integrated Transmitter for ISM Band Applications

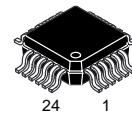
The MC13146 is an integrated RF transmitter targeted at ISM band applications. It features a 50 Ω linear Mixer with linearity control, voltage controlled oscillator, divide by 64/65 dual modulus Prescaler and Low Power Amplifier (LPA). Together with the receiver chip (MC13145) and either baseband chip (MC33410 or MC33411A/B), a complete 900 MHz cordless phone system can be implemented. This device may be used in applications up to 1.8 GHz.

- Low Distortion LPA: $P_{out_1\text{ dB Compression Point}} \approx 10\text{ dBm}$
- High Mixer Linearity: $IIP3 = 10\text{ dBm}$
- 50 Ω Mixer Input Impedance
- Differential Open Collector Mixer Output
- Low Power 64/65 Dual Modulus Prescaler (MC12054 type)
- 2.7 to 6.5 V Operation, Low Current Drain (25 mA @ 2.0 GHz)
- Powerdown Mode: $<60\ \mu\text{A}$
- Usable up to 1.8 GHz

MC13146

LOW POWER DC – 1.8 GHz TRANSMITTER

SEMICONDUCTOR TECHNICAL DATA

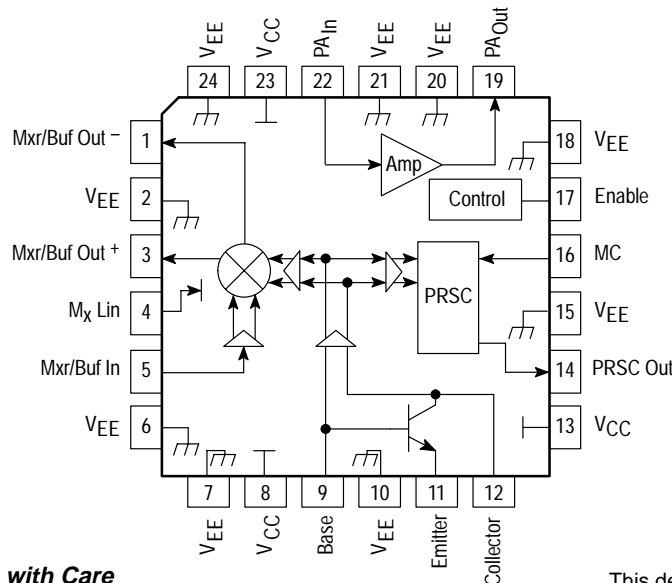


FTA SUFFIX
PLASTIC PACKAGE
CASE 977
(LQFP-24)

ORDERING INFORMATION

| Device | Operating Temperature Range | Package |
|------------|--|---------|
| MC13146FTA | $T_A = -20\text{ to }70^\circ\text{C}$ | LQFP-24 |

PIN CONNECTIONS



ESD Sensitive — Handle with Care

This device contains 268 active transistors.

Freescale Semiconductor, Inc. ARCHIVED BY FREESCALE SEMICONDUCTOR, INC. 2005

ARCHIVE INFORMATION

Freescale Semiconductor, Inc.

MAXIMUM RATINGS

| Rating | Symbol | Value | Unit |
|---------------------------|---------------|------------|------|
| Power Supply Voltage | $V_{CC(max)}$ | 7.0 | Vdc |
| Junction Temperature | $T_J(max)$ | 150 | °C |
| Storage Temperature Range | T_{stg} | -65 to 150 | °C |

- NOTES:** 1. Maximum Ratings are those values beyond which damage to the device may occur. Functional operation should be restricted to the limits in the Recommended Operating Conditions, Electrical Characteristics tables or Pin Descriptions section.
2. Meets Human Body Model (HBM) ≤ 100 V and Machine Model (MM) ≤ 25 V. ESD data available upon request.

RECOMMENDED OPERATING CONDITIONS

| Characteristic | Symbol | Min | Typ | Max | Unit |
|---|----------------------|----------|--------|----------|------------|
| Power Supply Voltage ($T_A = 25^\circ\text{C}$) | V_{CC} V_{EE} | 2.7 - | - 0 | 6.5 - | Vdc Vdc |
| RF Frequency Range | f_{RF} | 1.0 | - | 2500 | MHz |
| Ambient Temperature Range | T_A | -20 | - | 70 | °C |
| Maximum Input Signal Level | P_{IF} | - | -10 | - | dBm |
| - with no damage | | - | 15 | - | dBm |
| - with minor performance degradation | | - | | - | |

TRANSMITTER DC ELECTRICAL CHARACTERISTICS ($T_A = 25^\circ\text{C}$, $V_{CC} = 3.6$ Vdc, no input signal, unless otherwise noted)

| Characteristic | Symbol | Min | Typ | Max | Unit |
|---|-------------|----------------|------|-----|---------------|
| Total Supply Current (Enable = V_{CC}) | I_{total} | 15 | 18 | 21 | mA |
| Power Down Current (Enable = V_{EE}) | I_{total} | - | 30 | 100 | μA |
| MC Current Input (High) | I_{ih} | 70 | 100 | 130 | μA |
| MC Current Input (Low) | I_{il} | -130 | -100 | -70 | μA |
| Input high voltage | V_{ih} | $V_{CC} - 0.4$ | - | - | V |
| Input low voltage | V_{il} | - | - | 0.4 | V |
| Input Current | I_{in} | -50 | - | 50 | μA |

TRANSMITTER AC ELECTRICAL CHARACTERISTICS ($T_A = 25^\circ\text{C}$, $V_{CC} = 3.6$ Vdc, Enable = 3.6 Vdc, per Test Circuit shown in Figure 1, unless otherwise noted)

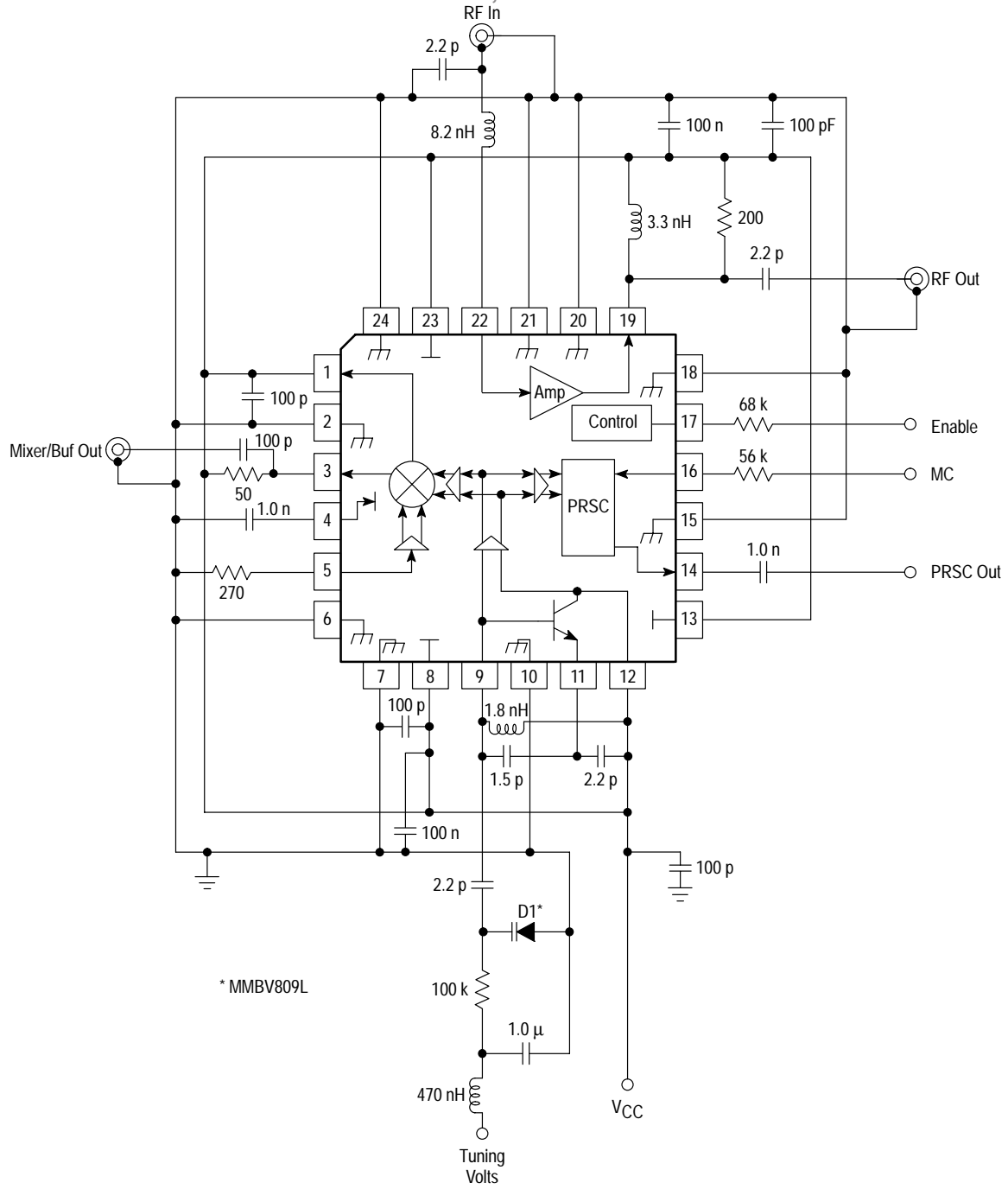
| Characteristics | Input Pin | Measure Pin | Symbol | Min | Typ | Max | Unit |
|--|-----------|-------------|----------------|------|------|------|--------|
| Amplifier Output Power (with external matching) @ 950 MHz; $P_{in} = -19$ dBm | PA_{in} | PA_{out} | PA_{PO} | -4.5 | -3.3 | -2.1 | dBm |
| Amplifier 1.0 dB Compression Point (@ 950 MHz = f_{IF_out}) | PA_{in} | PA_{out} | $P_{1dBc.Pt.}$ | - | 8.0 | - | dBm |
| Amplifier Output Harmonics (with external matching) @ 950 MHz; $P_{in} = -19$ dBm | PA_{in} | PA_{out} | | | | | dBc |
| 2nd | | | $PA - 2f$ | -25 | -37 | - | |
| 3rd | | | $PA - 3f$ | -35 | -52 | - | |
| Mixer/Buffer Output (@ 950 MHz = f_{osc} ; Mixer input (Pin 5) pulled through 270 Ω resistor) | | Buf_out+ | PMx/Buf_out | -19 | -18 | -17 | dBm |
| PLL Setup Time [Note 1] | MC | PRSC_out | T_{PLL} | - | 10 | - | nS |
| Mixer Input Third Order Intercept Point | | | IIP3 | - | 10 | - | dBm |
| VCO Phase Noise (@ 10 kHz offset) | | Buf_out+ | | - | -80 | - | dBc/Hz |
| Prescaler Output Level (10 k Ω 8.0 pF Load) | | PRSC_out | | 400 | - | 600 | mVpp |

- NOTES:** 1. MC input (50%) to PRSC_out rising output (50%) for proper modulus selection.
2. Typical performance parameters indicate the potential of the device under ideal operation conditions.

查询"MC13146"供应商

ARCHIVED BY FREESCALE SEMICONDUCTOR, INC. 2005

Figure 1. Test Circuit



PIN FUNCTION DESCRIPTION

| Pin | Symbol/Type | Description | Description |
|-----------------|-------------------------------|-------------|---|
| 1, 3 | Mxr/Buf Out-, Mxr/Buf Out+ | | <p>Mixer/Buffer Outputs The Mixer/Buffer is a differential open collector configuration which designed to use over a wide frequency range for up conversion as well as direct conversion. Differential to single-ended circuit configuration and matching options are discussed in the Circuit Description section. 6.0 dB of additional Mixer gain can be achieved by conjugately matching the outputs at the desired RF frequency.</p> |
| 2 | VEE | | <p>VEE, Negative Supply This pin is VEE supply for the mixer IF output. In the application PC board this pin is tied to a common VEE trace with other VEE pins.</p> |
| 4 | Mx Lin | | <p>Mixer Linearity Control The mixer linearity control circuit accepts approximately 0 to 200 μA control current to set the dynamic range of the mixer. An Input Third Order Intercept Point, IIP3 of 17 dBm may be achieved at 200 μA of control current.</p> |
| 5 | Mxr/Buf In | | <p>Mixer/Buffer Input The mixer input impedance is broadband 50 Ω for applications up to 2.4 GHz.</p> |
| 6, 7, 18, 24 | VEE | | <p>VEE, Negative Supply These pins are substrate connections on the IC. In the application PC board these pins are tied to a common VEE trace with other VEE pins.</p> |
| 8 | VCC | | <p>VCC, Supply Voltage Two VCC pins are provided for the Local Oscillator and LO Buffer Amplifier. The operating supply voltage range is from 2.7 Vdc to 6.5 Vdc. In the PCB layout, the VCC trace must be kept as wide as feasible to minimize inductive reactances along the trace. VCC should be decoupled to VEE at the IC pin.</p> |
| 9 | Base | | <p>On-board VCO Transistor The transistor has the emitter, base, collector, VCC and VEE pins available. Internal biasing which is compensated for stability over temperature is provided. It is recommended that the base pin is pulled up to VCC through an RFC chosen for the particular oscillator center frequency. The application circuit shows a Colpitts oscillator configuration.</p> |
| 10 | VEE | | |
| 11 | Emitter | | |
| 12 | Collector | | |

Freescale Semiconductor, Inc.

PIN FUNCTION DESCRIPTION (continued)

| Pin | Symbol/Type | Description | Description |
|--------|-------------------|-------------|--|
| 13 | V _{CC} | | V_{CC}, Supply Voltage |
| 14 | PRSC Out | | Prescaler Output The prescaler output provides 500 mVpp drive to the F _{in} Pin of a PLL synthesizer. Conjugately matching the interface will increase the drive delivered to the PLL input. |
| 15 | V _{EE} | | V_{EE}, Negative Supply |
| 16 | MC | | Dual Modulus Control Current Input This requires a current input of typically 200 μApp. |
| 17 | Enable | | Transmitter Enable Enable the transmitter by pulling the pin up to V _{CC} . |
| 19 | PA _{out} | | PA Out The output is an open collector of the cascode transistor low power amplifier (LPA); it is externally biased. The output may be conjugately matched with a shunt L, and series L and C network. |
| 20, 21 | V _{EE} | | V_{EE}, Negative Supply V _{EE} pin is taken to an ample dc ground plane through a low impedance path. The path should be kept as short as possible. A two sided PCB is implemented so that ground returns can be easily made through via holes. |
| 22 | PA _{in} | | PA In The input is the base of the common emitter transistor. Minimum external matching is required to optimize the input return loss and gain. |
| 23 | V _{CC} | | V_{CC}, Positive Supply V _{CC} pin is taken to the incoming positive battery or regulated dc voltage through a low impedance trace on the PCB. It is decoupled to V _{EE} ground at the pin of the IC. |

CIRCUIT DESCRIPTION

General "MC13146" 供应商

The MC13146 consists of a low power amplifier, a 50 Ω linear mixer with linearity control, divide by 64/65 dual modulus prescaler and LPA. This device is designated for use as the low power transmitter in analog and digital FM systems such as UHF and 800 MHz Special Mobile Radio (SMR), UHF Family Radio Services, PCS and 902 to 928 MHz cordless telephones. It features a mixer linearity control to preset or auto program the mixer dynamic range, an enable function and a wideband mixer output so the IC may be used either as an upconverter or for a direct conversion source. Additional details are covered in the Pin by Pin Description which shows the equivalent internal circuit and external circuit requirements.

Current Regulation/Enable

The device features temperature compensating, voltage independent current regulators which are controlled by the enable function in which "high" powers up the IC.

Mixer: General

The mixer is a double-balanced four quadrant multiplier biased class AB allowing for programmable linearity control via an external current source. An input third order intercept point of 20 dBm has been achieved. The mixer has a 50 Ω single-ended RF input and open collector differential outputs. An onboard Local Oscillator transistor has the emitter, base and collector pinned out to implement a low phase noise VCO in various configurations. Additionally, a buffered prescaler output is provided for operation with a low frequency synthesizer. For direct conversion applications the input of the mixer may be terminated to ground through a 120 to 330 Ω resistor.

Local Oscillator/Voltage Control Oscillator

The on-chip transistor operates with coaxial transmission line or LC resonant elements to over 1.8 GHz. Biasing is done with a temperature/voltage compensated current source in the emitter. A RFC from V_{CC} to the base is recommended.

The transistor can be operated in the classic Colpitts, Clapp, or Hartley configuration. The application circuit (Figure 8) depicts a parallel resonant VCO which can cover the entire 902 to 928 MHz frequency band with phase noise of approximately -80 dBc/Hz at a 10 kHz offset (see Figure 2). For this configuration, the LO will be driven with approximately 100 mVrms, and the frequency of oscillation can be approximated by:

$$F_{osc} = \frac{1}{2\pi \sqrt{\left(\frac{C1 C2}{C1 + C2}\right) \left(\frac{C3 C_v}{C3 + C_v} + 3.6 \text{ pF}\right) (L1 + 1.8 \text{ nH})}}$$

where C_v is the equivalent capacitance of the varactor at the control voltage.

For higher frequency operation, a series tuned oscillator configuration is recommended. Table 1 contains the S-parameters for the VCO transistor in a common collector configuration. This information is useful for designing a VCO at other operating frequencies or for various other oscillator topologies.

The output power (at Mix/Buf Out) can be varied by adjusting the value of R5 as illustrated in Figures 3 and 4. Figure 5 shows the typical operating window for the prescaler.

Figure 2. Typical Tuning Performance

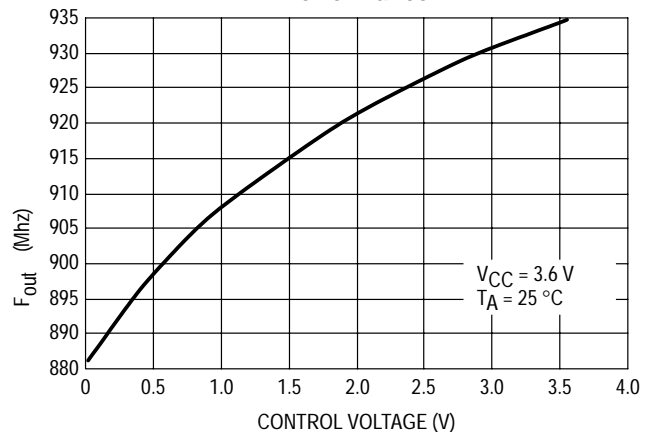
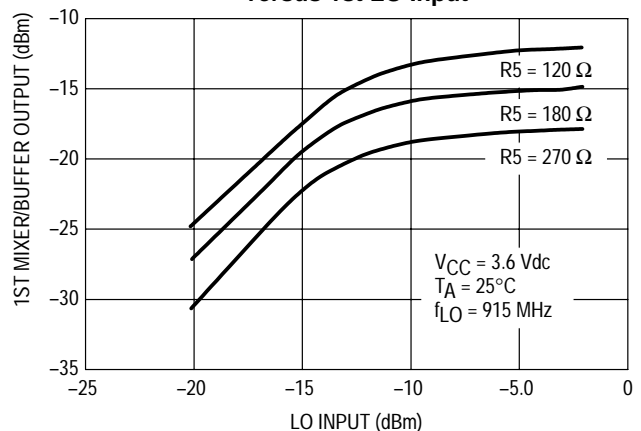


Figure 3. Mixer/Buffer Output versus 1st LO Input



Freescale Semiconductor, Inc. ARCHIVED BY FREESCALE SEMICONDUCTOR, INC. 2005

ARCHIVE INFORMATION

查询"MC13146"供应商

ARCHIVED BY FREESCALE SEMICONDUCTOR, INC. 2005

Figure 4. Test Circuit for Figure 3.

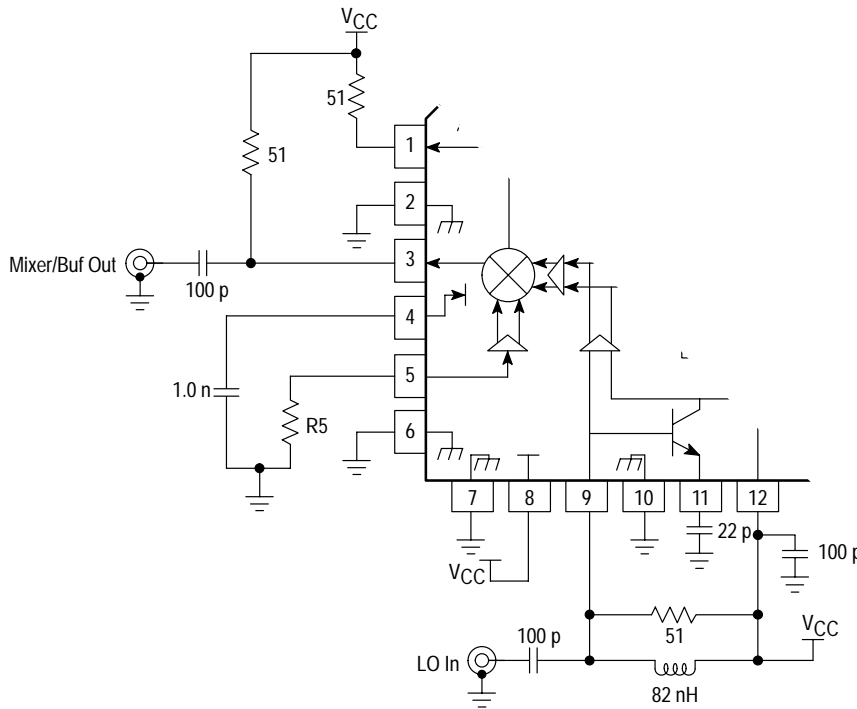
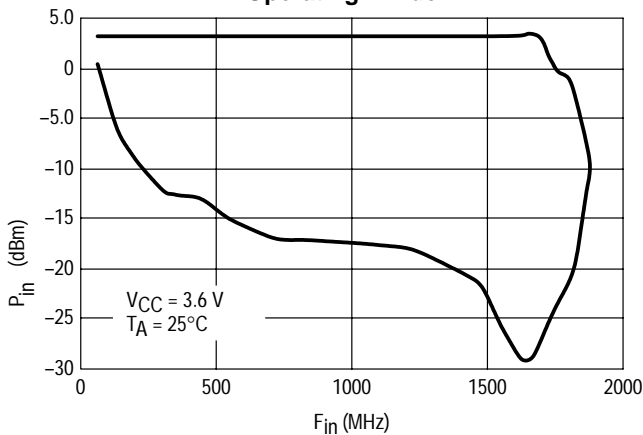


Figure 5. Typical Prescaler Operating Window



Mixer/Buffer Input

The Mixer/Buf In pin is a broadband, 50 Ω input used to drive the IF port of the mixer (see Table 2, S11 parameters). The Mixer/Buf In pin can be used in one of three modes:

1. A IF signal can be applied to this pin and up-converted to the desired RF frequency.
2. A resistor can be connected to ground, controlling the RF output power.
3. A resistor can be connected to VCC, disabling the entire mixer.

The linear gain of the Mixer/Buf when used as a buffer is approximately -5.0 to -8.0 dB.

Mixer/Buffer Outputs

The mixer outputs (Mixer/Buf Out + and Mixer/Buf Out -) are balanced, open collector. A shunt resistor of 200 Ω minimum to VCC is recommended for stability.

The outputs can be used as a single-ended driver or connected in a balanced-to-unbalanced configuration. If the single-ended driver configuration is used, the unused output must be tied directly to VCC. For the balanced-to-unbalanced configuration, an additional 3.0 to 6.0 dB of power gain can be achieved. Conjugate matching is easily accomplished to the desired load by the addition of a shunt and series element (see Table 2, S22 parameters).

Low Power Amplifier (LPA)

The LPA is internally biased at low supply current (approximately 2.0 mA emitter current) for optimal low power operation, yielding a 10 dBm 1.0 dB output power compression point. Input and output matching may be achieved at various frequencies using few external components (see Table 3 S-parameters). Typical power gain is 16 dB with the input/output conjugately matched to the source/load impedance. A minimum 200 Ω shunt resistor from the output to VCC is recommended for stability.

Freescale Semiconductor, Inc. ARCHIVED BY FREESCALE SEMICONDUCTOR, INC. 2005

ARCHIVE INFORMATION

Figure 6. I_{CC} versus Temperature

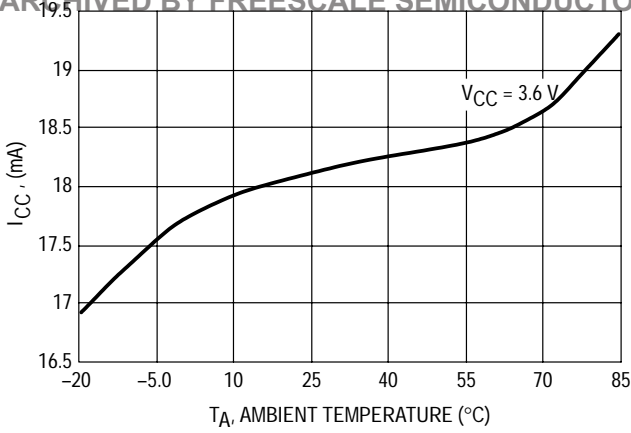
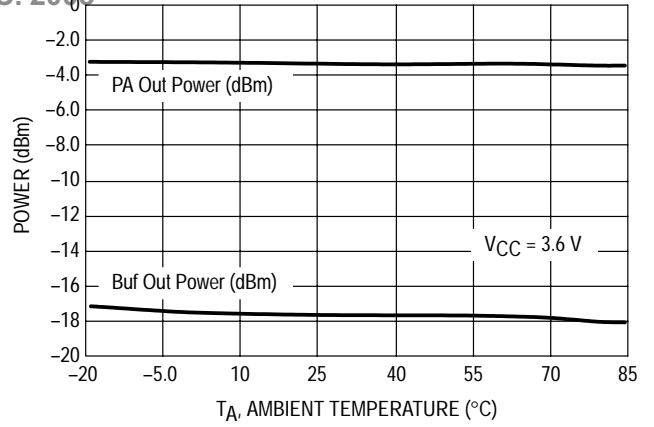


Figure 7. Output Power versus Temperature



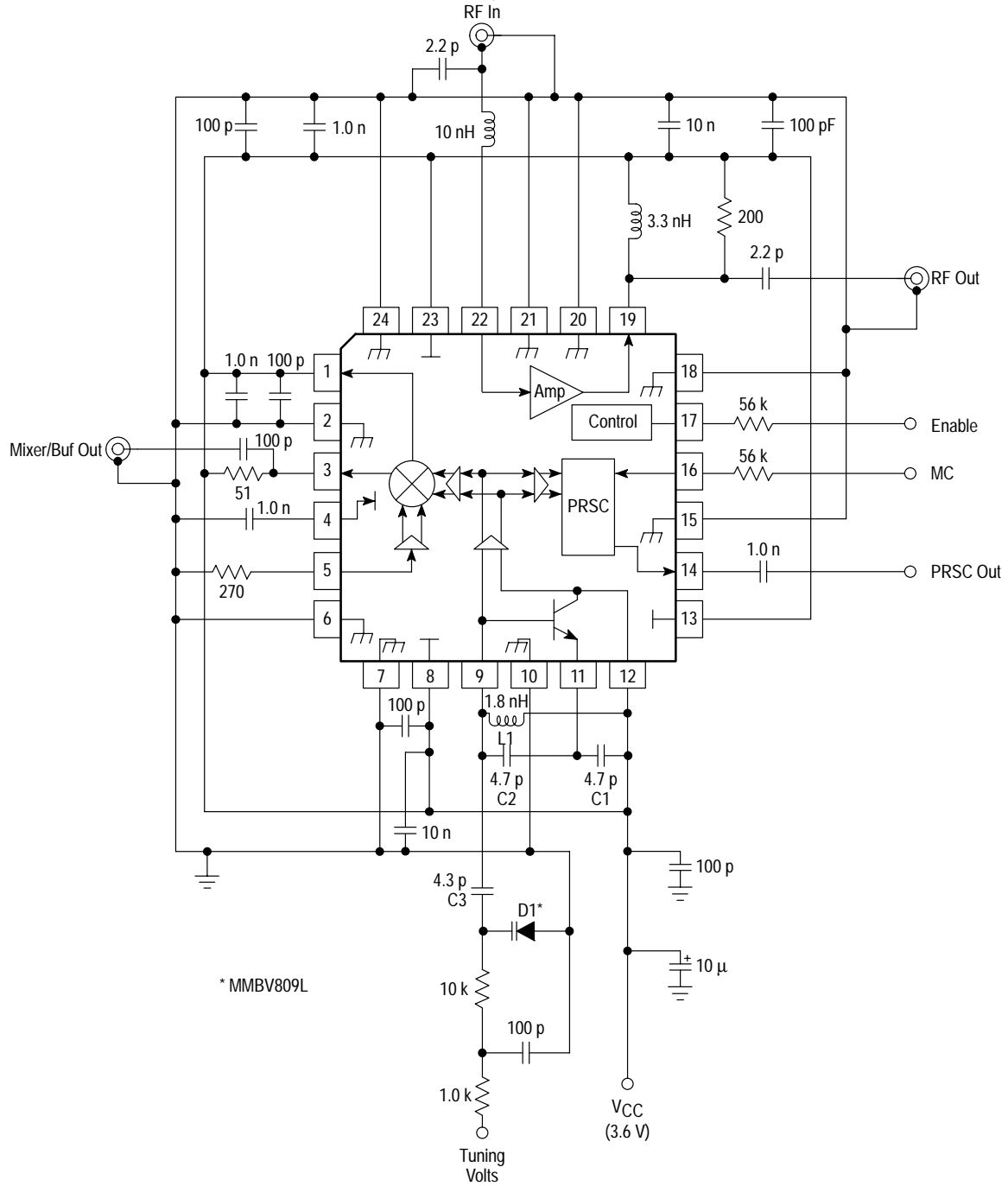
Freescale Semiconductor, Inc. ARCHIVED BY FREESCALE SEMICONDUCTOR, INC. 2005

ARCHIVE INFORMATION

查询"MC13146"供应商

ARCHIVED BY FREESCALE SEMICONDUCTOR, INC. 2005

Figure 8. Applications Circuit



Evaluation PCB

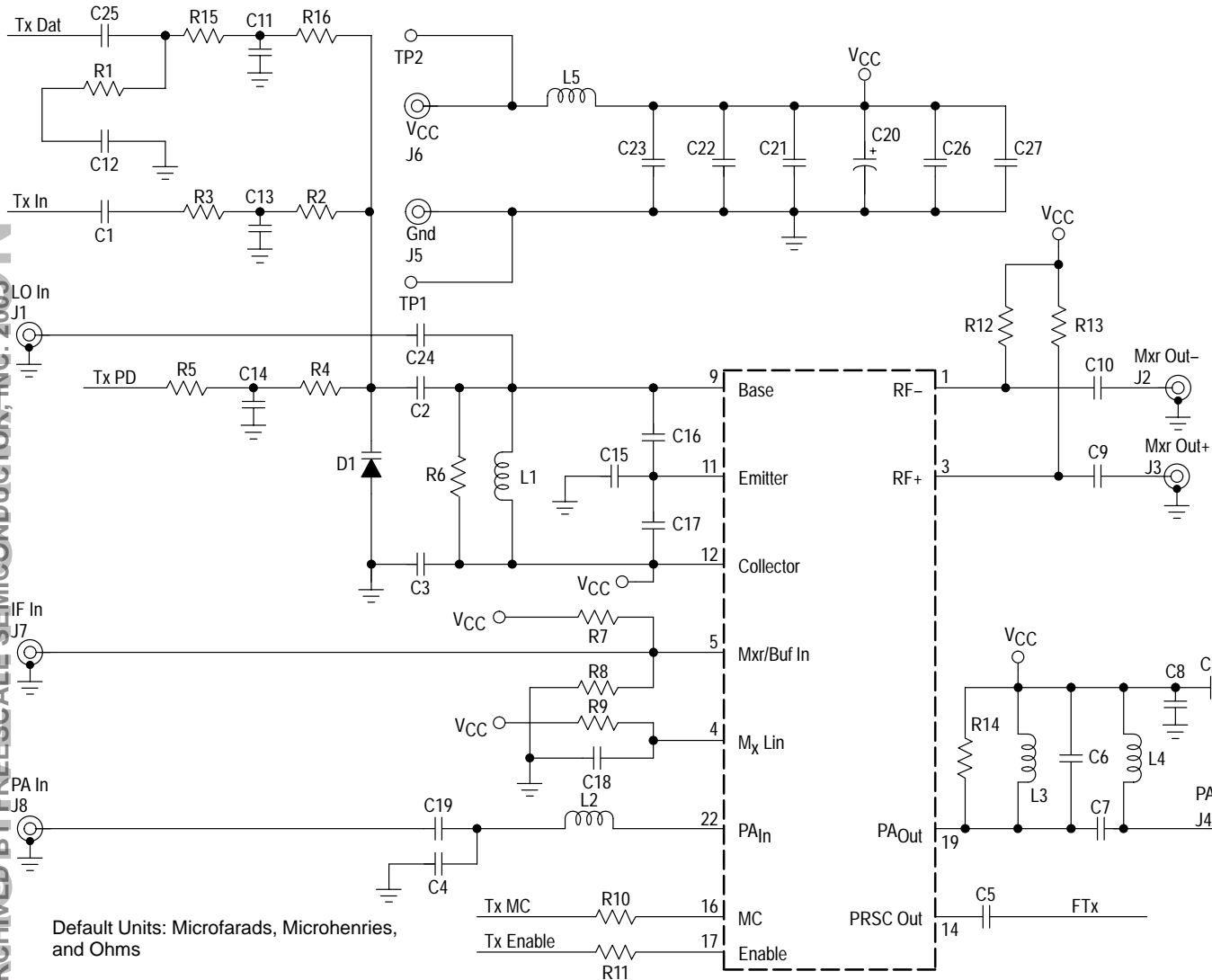
The evaluation PCB is a versatile board which allows the MC13146 to be configured as a basic transmitter, or to characterize individual operating parameters.

The general purpose schematic and associated parts list for the PCB is given in Figure 9. This parts list build-up is

identical to the Test Circuit illustrated in Figure 1, although parameters can vary significantly due to differences in PCB parasitics. Figures 10, 11, and 12 show the actual PCB component, ground and solder sides, respectively.

Please refer to AN1687/D and AN1691/D for additional details and applications for the device.

Figure 9. Evaluation PCB Schematic

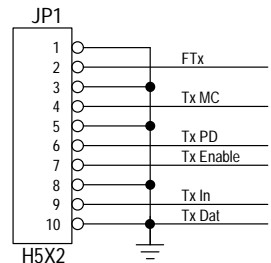


Default Units: Microfarads, Microhenries, and Ohms

- R1,R2,R3,R15,R16,
- C1,C11,C12,C13,C25,
- R6,R7,R9,L4,J1,J2,J7,
- C6,C10,C15,C24
- R4
- R5,R12,C19
- R8
- R10
- R11
- R13
- R14
- C2
- C3,C8,C9,C26,C27
- C4, C7
- C5,C18,C21,C22,C23
- C14

- No component
- 100 k
- Short
- 270
- 56 k
- 68 k
- 51
- 200
- 2.2 p
- 100 p
- 2.2 p
- 1.0 n
- 1.0 μ

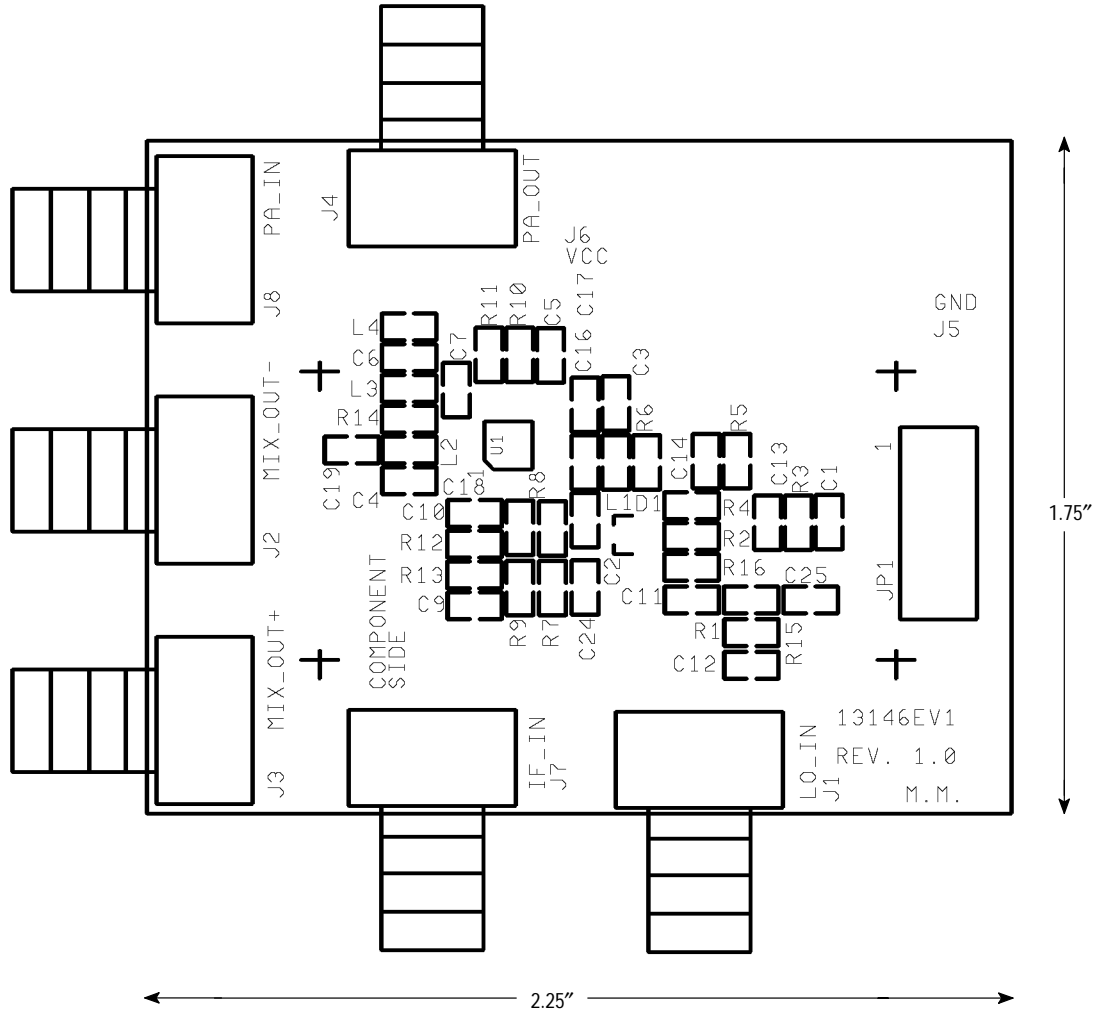
- C16 1.5 p
- C17 2.2 p
- C20 10 μ
- C28 10 n
- L1 1.8 n
- L2 8.2 n
- L3 3.3 n
- L5 RFC
- D1 MMBV809LT1
- J3,J4,J8 SMA EF Johnson 142-0701-851
- J5,J6 Banana Johnson Components 108-0902-001
- JP1 Header, 5x2
- U1 MC13146FTA



查询"MC13146"供应商

Figure 10. MC13146 Evaluation PCB Component Side

ARCHIVED BY FREESCALE SEMICONDUCTOR, INC. 2005



Freescale Semiconductor, Inc. ARCHIVED BY FREESCALE SEMICONDUCTOR, INC. 2005

ARCHIVE INFORMATION

查询"MC13146"供应商

ARCHIVED BY FREESCALE SEMICONDUCTOR, INC. 2005

Figure 11. MC13146 Evaluation PCB Ground Plane

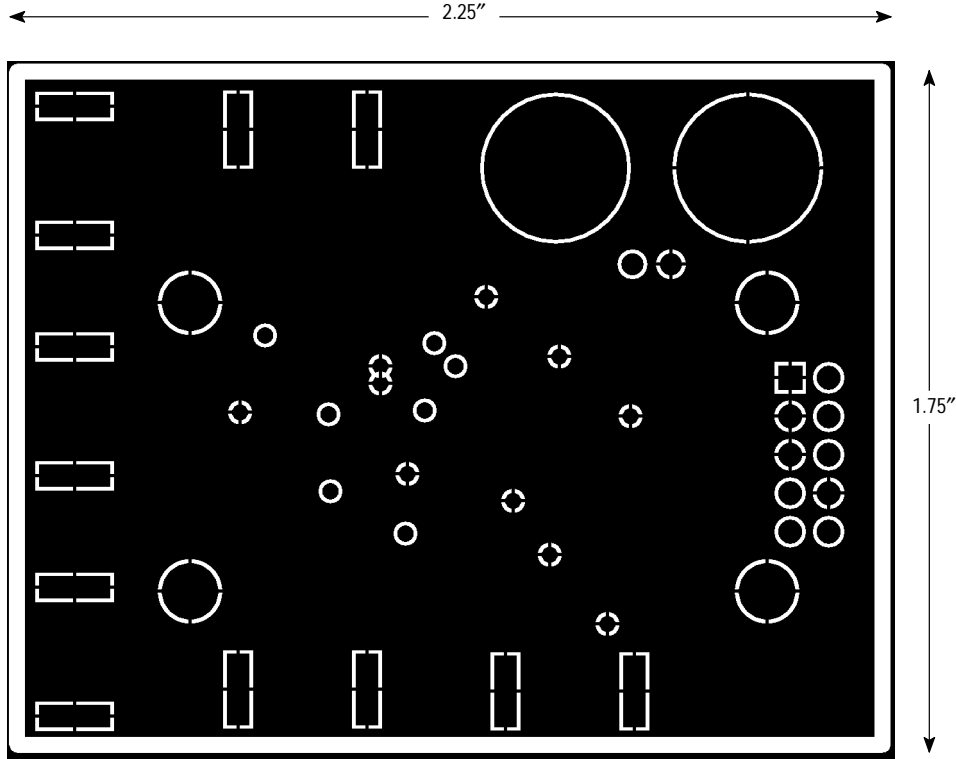
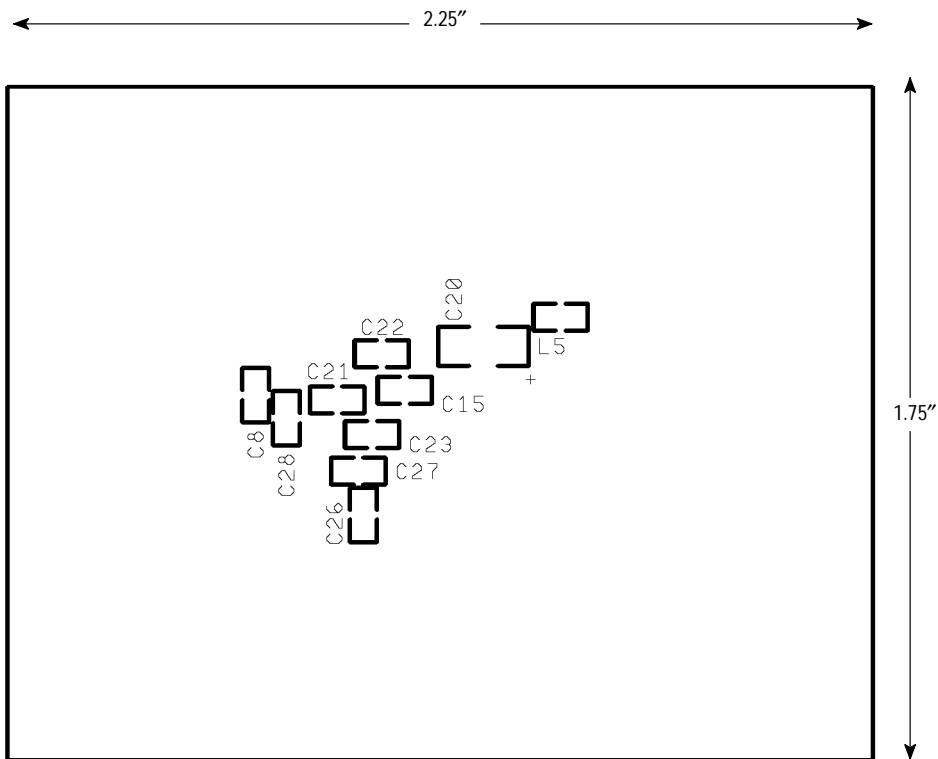


Figure 12. MC13146 Evaluation PCB Solder Side



Freescale Semiconductor, Inc.

Table 1. VCO Transistor S-Parameters 3.6 Vdc; 50 Ω Load and Source Impedance; Common Collector

| Freq (MHz) | S11 Mag | S11 Ang | S21 Mag | S21 Ang | S12 Mag | S12 Ang | S22 Mag | S22 Ang |
|---------------|------------|------------|------------|------------|------------|------------|------------|------------|
| 25 | 0.99 | -1 | 0.88 | 0 | 0.01 | 44 | 0.10 | -7 |
| 50 | 0.99 | -2 | 0.92 | -1 | 0.02 | 61 | 0.09 | -9 |
| 100 | 0.98 | -5 | 0.95 | -2 | 0.04 | 70 | 0.07 | -37 |
| 150 | 0.98 | -7 | 0.97 | -3 | 0.06 | 73 | 0.07 | -47 |
| 200 | 0.97 | -10 | 1.04 | -4 | 0.07 | 73 | 0.06 | -86 |
| 300 | 0.95 | -14 | 1.11 | -8 | 0.10 | 71 | 0.09 | -124 |
| 400 | 0.93 | -19 | 1.23 | -12 | 0.13 | 67 | 0.14 | -149 |
| 450 | 0.92 | -21 | 1.26 | -14 | 0.15 | 66 | 0.15 | -155 |
| 500 | 0.91 | -23 | 1.30 | -16 | 0.16 | 65 | 0.17 | -159 |
| 600 | 0.86 | -28 | 1.35 | -20 | 0.19 | 61 | 0.20 | -167 |
| 750 | 0.79 | -37 | 1.46 | -25 | 0.24 | 57 | 0.26 | -172 |
| 800 | 0.79 | -39 | 1.48 | -26 | 0.25 | 56 | 0.28 | -174 |
| 850 | 0.77 | -42 | 1.48 | -28 | 0.26 | 54 | 0.29 | -177 |
| 900 | 0.74 | -44 | 1.47 | -31 | 0.28 | 52 | 0.28 | -179 |
| 950 | 0.67 | -49 | 1.53 | -35 | 0.30 | 49 | 0.31 | 174 |
| 1000 | 0.61 | -55 | 1.59 | -38 | 0.33 | 47 | 0.34 | 171 |
| 1250 | 0.45 | -81 | 1.61 | -50 | 0.41 | 38 | 0.38 | 157 |
| 1500 | 0.35 | -159 | 1.68 | -67 | 0.53 | 16 | 0.38 | 134 |
| 1750 | 0.85 | 107 | 1.60 | -100 | 0.57 | -15 | 0.33 | 97 |
| 2000 | 1.02 | 76 | 1.17 | -117 | 0.47 | -32 | 0.18 | 86 |
| 2250 | 1.25 | 76 | 1.13 | -125 | 0.55 | -38 | 0.19 | 89 |
| 2500 | 1.58 | 53 | 0.84 | -150 | 0.56 | -64 | 0.09 | 57 |

Freescale Semiconductor, Inc.

Table 2. Mixer Input/Output S-Parameters: 200 Ω Pull-Up Resistor

| Freq (MHz) | S11 Mag | S11 Ang | S21 Mag | S21 Ang | S12 Mag | S12 Ang | S22 Mag | S22 Ang |
|------------|---------|---------|---------|---------|---------|---------|---------|---------|
| 50 | 0.11 | 176.8 | 0.43 | -4.2 | 0.001 | 38.7 | 0.60 | -1.9 |
| 100 | 0.11 | 177.9 | 0.43 | -7.5 | 0.002 | 19.8 | 0.60 | -3.5 |
| 200 | 0.11 | 179.4 | 0.42 | -13.7 | 0.001 | 28.3 | 0.60 | -6.7 |
| 300 | 0.10 | 179.5 | 0.42 | -20.7 | 0.001 | 69.8 | 0.61 | -9.9 |
| 400 | 0.10 | 177.2 | 0.42 | -27.3 | 0.001 | 106.3 | 0.61 | -13.2 |
| 450 | 0.11 | 174.9 | 0.41 | -31.1 | 0.001 | 135.2 | 0.62 | -14.8 |
| 500 | 0.10 | 177.7 | 0.42 | -34.1 | 0.002 | 138.2 | 0.62 | -16.6 |
| 600 | 0.09 | 174.3 | 0.42 | -41.8 | 0.003 | 150.5 | 0.63 | -20.0 |
| 700 | 0.09 | 167.2 | 0.41 | -49.3 | 0.005 | 158.7 | 0.64 | -23.5 |
| 750 | 0.08 | 162.8 | 0.41 | -53.9 | 0.006 | 166.0 | 0.65 | -25.2 |
| 800 | 0.08 | 156.6 | 0.40 | -58.4 | 0.008 | 166.5 | 0.65 | -26.9 |
| 850 | 0.06 | 152.3 | 0.40 | -62.7 | 0.009 | 171.2 | 0.66 | -28.7 |
| 900 | 0.05 | 145.2 | 0.39 | -66.4 | 0.012 | 177.6 | 0.66 | -30.3 |
| 950 | 0.04 | 131.1 | 0.38 | -71.6 | 0.015 | -179.7 | 0.67 | -31.9 |
| 1000 | 0.02 | 101.1 | 0.38 | -76.7 | 0.019 | 178.0 | 0.68 | -33.7 |
| 1250 | 0.08 | -41.5 | 0.27 | -96.8 | 0.042 | 137.1 | 0.73 | -43.2 |
| 1500 | 0.40 | -87.6 | 0.24 | -90.2 | 0.036 | 129.9 | 0.78 | -53.3 |
| 1750 | 0.50 | -144.1 | 0.30 | -114.0 | 0.058 | 142.8 | 0.86 | -63.8 |
| 2000 | 0.51 | -173.5 | 0.22 | -133.0 | 0.174 | 151.6 | 0.96 | -81.3 |

Table 3. LPA S-Parameters: 200 Ω Pull-Up Resistor

| Freq (MHz) | S11 Mag | S11 Ang | S21 Mag | S21 Ang | S12 Mag | S12 Ang | S22 Mag | S22 Ang |
|------------|---------|---------|---------|---------|---------|---------|---------|---------|
| 200 | 0.76 | -26.0 | 9.3 | 148.1 | 0.0006 | 73.3 | 0.60 | -12.4 |
| 300 | 0.71 | -37.5 | 8.5 | 135.2 | 0.0011 | 74.4 | 0.60 | -18.5 |
| 400 | 0.67 | -47.2 | 7.6 | 124.5 | 0.0011 | 79.6 | 0.61 | -24.6 |
| 450 | 0.64 | -51.7 | 7.2 | 118.6 | 0.0010 | 66.0 | 0.62 | -28.3 |
| 500 | 0.62 | -55.4 | 6.9 | 114.2 | 0.0011 | 45.4 | 0.62 | -31.6 |
| 600 | 0.58 | -63.7 | 6.3 | 105.3 | 0.0012 | 16.7 | 0.64 | -38.8 |
| 700 | 0.54 | -72.1 | 5.6 | 95.2 | 0.0016 | -20.9 | 0.66 | -45.6 |
| 750 | 0.52 | -74.6 | 5.4 | 91.8 | 0.0013 | -36.9 | 0.66 | -48.5 |
| 800 | 0.51 | -77.9 | 5.2 | 87.7 | 0.0023 | -50.8 | 0.67 | -52.6 |
| 850 | 0.49 | -80.3 | 5.0 | 83.8 | 0.0033 | -63.6 | 0.68 | -56.1 |
| 900 | 0.49 | -83.5 | 4.7 | 79.6 | 0.0044 | -78.7 | 0.68 | -60.3 |
| 950 | 0.48 | -85.4 | 4.5 | 77.2 | 0.0060 | -90.3 | 0.68 | -63.2 |
| 1000 | 0.48 | -88.8 | 4.3 | 74.7 | 0.0082 | -97.6 | 0.68 | -65.8 |
| 1250 | 0.51 | -102.7 | 3.7 | 58.8 | 0.0249 | -136.6 | 0.73 | -74.6 |
| 1500 | 0.48 | -119.7 | 3.3 | 37.6 | 0.0273 | 172.0 | 0.90 | -87.7 |
| 1750 | 0.47 | -130.0 | 2.7 | 20.5 | 0.0290 | 166.5 | 0.97 | -103.7 |
| 2000 | 0.51 | -136.7 | 2.2 | -1.1 | 0.0386 | 164.1 | 1.01 | -119.1 |

Freescale Semiconductor, Inc. ARCHIVED BY FREESCALE SEMICONDUCTOR, INC. 2005

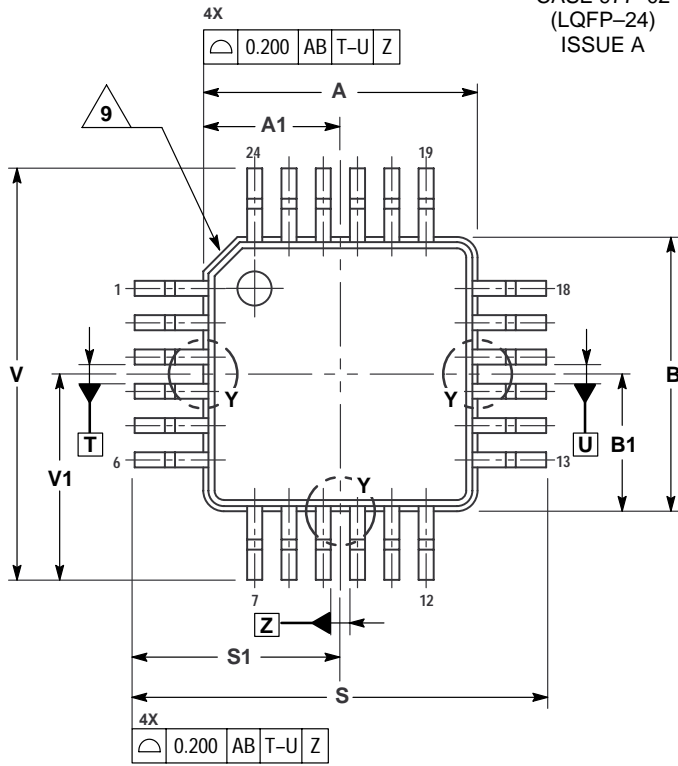
ARCHIVE INFORMATION

OUTLINE DIMENSIONS

查询"MC13146"供应商

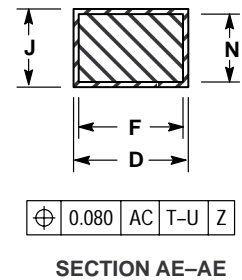
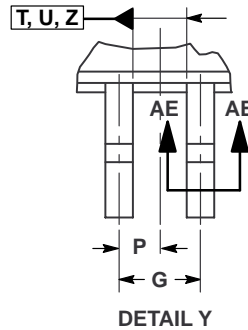
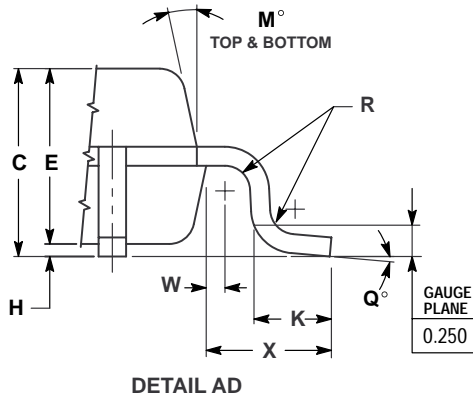
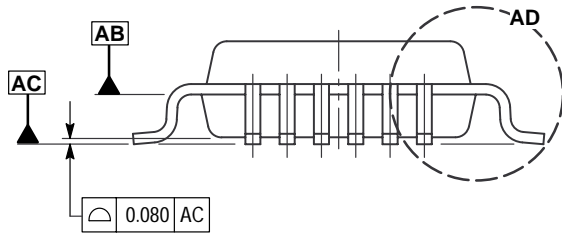
ARCHIVED BY FREESCALE SEMICONDUCTOR, INC. 2005

ETA SUFFIX 2005
 PLASTIC PACKAGE
 CASE 977-02
 (LQFP-24)
 ISSUE A



- NOTES:
- 1 CONTROLLING DIMENSION: MILLIMETER.
 - 2 DIMENSIONS AND TOLERANCES PER ASME Y14.5M, 1994.
 - 3 DATUM PLANE AB IS LOCATED AT BOTTOM OF LEAD AND IS COINCIDENT WITH THE LEAD WHERE THE LEAD EXITS THE PLASTIC BODY AT THE BOTTOM OF THE PARTING LINE.
 - 4 DATUMS T, U, AND Z TO BE DETERMINED AT DATUM PLANE AB.
 - 5 DIMENSIONS S AND V TO BE DETERMINED AT DATUM PLANE AC.
 - 6 DIMENSIONS A AND B DO NOT INCLUDE MOLD PROTRUSION. ALLOWABLE PROTRUSION IS 0.250 PER SIDE. DIMENSIONS A AND B DO INCLUDE MOLD MISMATCH AND ARE DETERMINED AT DATUM PLANE AB.
 - 7 DIMENSION D DOES NOT INCLUDE DAMBAR PROTRUSION. DAMBAR PROTRUSION SHALL NOT CAUSE THE D DIMENSION TO EXCEED 0.350.
 - 8 MINIMUM SOLDER PLATE THICKNESS SHALL BE 0.0076.
 - 9 EXACT SHAPE OF EACH CORNER IS OPTIONAL.

| DIM | MILLIMETERS | |
|-----|-------------|-------|
| | MIN | MAX |
| A | 4.000 | BSC |
| A1 | 2.000 | BSC |
| B | 4.000 | BSC |
| B1 | 2.000 | BSC |
| C | 1.400 | 1.600 |
| D | 0.170 | 0.270 |
| E | 1.350 | 1.450 |
| F | 0.170 | 0.230 |
| G | 0.500 | BSC |
| H | 0.050 | 0.150 |
| J | 0.090 | 0.200 |
| K | 0.500 | 0.700 |
| M | 12° | REF |
| N | 0.090 | 0.160 |
| P | 0.250 | BSC |
| Q | 0° | 7° |
| R | 0.150 | 0.250 |
| S | 6.000 | BSC |
| S1 | 3.000 | BSC |
| V | 6.000 | BSC |
| V1 | 3.000 | BSC |
| W | 0.200 | REF |
| X | 1.000 | REF |



Freescale Semiconductor, Inc. ARCHIVED BY FREESCALE SEMICONDUCTOR, INC. 2005

ARCHIVE INFORMATION


Freescale Semiconductor, Inc.

[查询"MC13146"供应商](#)

ARCHIVED BY FREESCALE SEMICONDUCTOR, INC. 2005

Freescale Semiconductor, Inc.
ARCHIVED BY FREESCALE SEMICONDUCTOR, INC. 2005

ARCHIVE INFORMATION

Motorola reserves the right to make changes without further notice to any products herein. Motorola makes no warranty, representation or guarantee regarding the suitability of its products for any particular purpose, nor does Motorola assume any liability arising out of the application or use of any product or circuit, and specifically disclaims any and all liability, including without limitation consequential or incidental damages. "Typical" parameters which may be provided in Motorola data sheets and/or specifications can and do vary in different applications and actual performance may vary over time. All operating parameters, including "Typicals" must be validated for each customer application by customer's technical experts. Motorola does not convey any license under its patent rights nor the rights of others. Motorola products are not designed, intended, or authorized for use as components in systems intended for surgical implant into the body, or other applications intended to support or sustain life, or for any other application in which the failure of the Motorola product could create a situation where personal injury or death may occur. Should Buyer purchase or use Motorola products for any such unintended or unauthorized application, Buyer shall indemnify and hold Motorola and its officers, employees, subsidiaries, affiliates, and distributors harmless against all claims, costs, damages, and expenses, and reasonable attorney fees arising out of, directly or indirectly, any claim of personal injury or death associated with such unintended or unauthorized use, even if such claim alleges that Motorola was negligent regarding the design or manufacture of the part. Motorola and  are registered trademarks of Motorola, Inc. Motorola, Inc. is an Equal Opportunity/Affirmative Action Employer.

Mfax is a trademark of Motorola, Inc.

How to reach us:

USA/EUROPE/Locations Not Listed: Motorola Literature Distribution;
P.O. Box 5405, Denver, Colorado 80217. 1-303-675-2140 or 1-800-441-2447

JAPAN: Motorola Japan Ltd.; SPD, Strategic Planning Office, 141,
4-32-1 Nishi-Gotanda, Shinagawa-ku, Tokyo, Japan. 81-3-5487-8488

Customer Focus Center: 1-800-521-6274

Mfax™: RMFAX0@email.sps.mot.com – TOUCHTONE 1-602-244-6609
Motorola Fax Back System – US & Canada ONLY 1-800-774-1848
– <http://sps.motorola.com/mfax/>

ASIA/PACIFIC: Motorola Semiconductors H.K. Ltd.; Silicon Harbour Centre,
2, Dai King Street, Tai Po Industrial Estate, Tai Po, N.T., Hong Kong.
852-26668334

HOME PAGE: <http://motorola.com/sps/>



MOTOROLA

◇ **For More Information On This Product,
Go to: www.freescale.com**

MC13146/D