

## SYNCHRONOUS SWITCHMODE, LI-ION AND LI-POLYMER CHARGE-MANAGEMENT IC WITH INTEGRATED POWER FETs (bqSWITCHER™)

### FEATURES

- Ideal For Highly Efficient Charger Designs For Single-, Two- or Three-Cell Li-Ion and Li-Polymer Battery Packs
- bq24105 Also for LiFePO<sub>4</sub> Battery (see *Using bq24105 to Charge the LiFePO<sub>4</sub> Battery*)
- Integrated Synchronous Fixed-Frequency PWM Controller Operating at 1.1 MHz With 0% to 100% Duty Cycle
- Integrated Power FETs For Up To 2-A Charge Rate
- High-Accuracy Voltage and Current Regulation
- Available In Both Stand-Alone (Built-In Charge Management and Control) and System-Controlled (Under System Command) Versions
- Status Outputs For LED or Host Processor Interface Indicates Charge-In-Progress, Charge Completion, Fault, and AC-Adapter Present Conditions
- 20-V Maximum Voltage Rating on IN and OUT Pins
- High-Side Battery Current Sensing
- Battery Temperature Monitoring
- Automatic Sleep Mode for Low Power Consumption
- System-Controlled Version Can Be Used In NiMH and NiCd Applications
- Reverse Leakage Protection Prevents Battery Drainage
- Thermal Shutdown and Protection
- Built-In Battery Detection
- Available in 20-Pin, 3,5 mm × 4,5 mm QFN Package

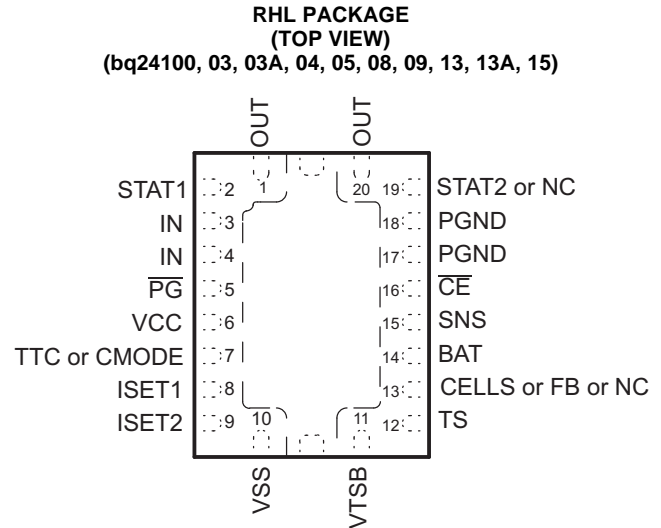
### APPLICATIONS

- Handheld Products
- Portable Media Players
- Industrial and Medical Equipment
- Portable Equipment

### DESCRIPTION

The bqSWITCHER™ series are highly integrated Li-ion and Li-polymer switch-mode charge management devices targeted at a wide range of portable applications. The bqSWITCHER™ series offers integrated synchronous PWM controller and power FETs, high-accuracy current and voltage regulation, charge preconditioning, charge status, and charge termination, in a small, thermally enhanced QFN package. The system-controlled version provides additional inputs for full charge management under system control.

The bqSWITCHER charges the battery in three phases: conditioning, constant current, and constant voltage. Charge is terminated based on user-selectable minimum current level. A programmable charge timer provides a safety backup for charge termination. The bqSWITCHER automatically restarts the charge cycle if the battery voltage falls below an internal threshold. The bqSWITCHER automatically enters sleep mode when V<sub>CC</sub> supply is removed.



Please be aware that an important notice concerning availability, standard warranty, and use in critical applications of Texas Instruments semiconductor products and disclaimers thereto appears at the end of this data sheet.

bqSWITCHER, PowerPAD are trademarks of Texas Instruments. All other trademarks are the property of their respective owners.



These devices have limited built-in ESD protection. The leads should be shorted together or the device placed in conductive foam during storage or handling to prevent electrostatic damage to the MOS gates.

### ORDERING INFORMATION<sup>(1)</sup>

T <sub>J</sub>	CHARGE REGULATION VOLTAGE (V)	INTENDED APPLICATION	PART NUMBER <sup>(2)(3)</sup>	MARKINGS
-40°C to 125°C	4.2 V	Stand-alone	bq24100RHLR	CIA
			bq24100RHLT	CIA
	1 or 2 cells selectable (CELLS pin, 4.2 V or 8.4 V)	Stand-alone	bq24103RHLR	CID
			bq24103RHLT	CID
	1 or 2 cells selectable (CELLS pin, 4.2 V or 8.4 V)	Stand-alone	bq24103ARHLR	CKO
			bq24103ARHLT	CKO
	1 or 2 cells selectable (CELLS pin, 4.2 V or 8.4 V) (Blinking status pins)	Stand-alone	bq24104RHLR	NXW
			bq24104RHLT	NXW
	Externally programmable (2.1 V to 15.5 V)	Stand-alone	bq24105RHLR	CIF
			bq24105RHLT	CIF
	4.2 V (Blinking status pins)	Stand-alone	bq24108RHLR	CIU
			bq24109RHLR	CDY
	1 or 2 cells selectable (CELLS pin, 4.2 V or 8.4 V)	System-controlled	bq24113RHLR	CIJ
			bq24113RHLT	CIJ
	1 or 2 cells selectable (CELLS pin, 4.2 V or 8.4 V)	System-controlled	bq24113ARHLR	CKF
			bq24113ARHLT	CKF
Externally programmable (2.1 V to 15.5 V)	System-controlled	bq24115RHLR	CIL	
		bq24115RHLT	CIL	

- (1) For the most current package and ordering information, see the Package Option Addendum at the end of this document, or see the TI Web site at [www.ti.com](http://www.ti.com).
- (2) The RHL package is available in the following options:  
**T** – taped and reeled in quantities of 250 devices per reel  
**R** – taped and reeled in quantities of 3000 devices per reel
- (3) This product is RoHS-compatible, including a lead concentration that does not exceed 0.1% of total product weight, and is suitable for use in specified lead-free soldering processes.

### ABSOLUTE MAXIMUM RATINGS<sup>(1)</sup>

over operating free-air temperature range (unless otherwise noted)

		UNIT
Supply voltage range (with respect to V <sub>SS</sub> )	IN, VCC	20 V
Input voltage range (with respect to V <sub>SS</sub> and PGND)	STAT1, STAT2, $\overline{\text{PG}}$ , $\overline{\text{CE}}$ , CELLS, SNS, BAT	-0.3 V to 20 V
	OUT	-0.7 V to 20 V
	CMODE, TS, TTC	7 V
	VTSB	3.6 V
	ISET1, ISET2	3.3 V
Voltage difference between SNS and BAT inputs (V <sub>SNS</sub> - V <sub>BAT</sub> )		±1 V
Output sink	STAT1, STAT2, $\overline{\text{PG}}$	10 mA
Output current (average)	OUT	2.2 A
T <sub>A</sub>	Operating free-air temperature range	-40°C to 85°C
T <sub>J</sub>	Junction temperature range	-40°C to 125°C
T <sub>stg</sub>	Storage temperature	-65°C to 150°C
Lead temperature 1,6 mm (1/16 inch) from case for 10 seconds		300°C

- (1) Stresses beyond those listed under *absolute maximum ratings* may cause permanent damage to the device. These are stress ratings only, and functional operation of the device at these or any other conditions beyond those indicated under *recommended operating conditions* is not implied. Exposure to absolute-maximum-rated conditions for extended periods may affect device reliability.

**PACKAGE DISSIPATION RATINGS**

PACKAGE	$\theta_{JA}$	$\theta_{JC}$	$T_A < 40^\circ\text{C}$ POWER RATING	DERATING FACTOR ABOVE $T_A = 40^\circ\text{C}$
RHL <sup>(1)</sup>	46.87°C/W	2.5°C/W	1.81 W	0.021 W/°C

(1) This data is based on using the JEDEC High-K board, and the exposed die pad is connected to a copper pad on the board. This is connected to the ground plane by a 2x3 via matrix.

**RECOMMENDED OPERATING CONDITIONS**

	MIN	NOM	MAX	UNIT
Supply voltage, $V_{CC}$ and IN (Tie together)	4.35 <sup>(1)</sup>		16 <sup>(2)</sup>	V
Operating junction temperature range, $T_J$	–40		125	°C

(1) The IC continues to operate below  $V_{min}$ , to 3.5 V, but the specifications are not tested and not specified.

(2) The inherent switching noise voltage spikes should not exceed the absolute maximum rating on either the IN or OUT pins. A *tight* layout minimizes switching noise.

**ELECTRICAL CHARACTERISTICS**

$T_J = 0^\circ\text{C}$  to  $125^\circ\text{C}$  and recommended supply voltage range (unless otherwise stated)

PARAMETER		TEST CONDITIONS	MIN	TYP	MAX	UNIT
<b>INPUT CURRENTS</b>						
$I_{(VCC)}$	$V_{CC}$ supply current	$V_{CC} > V_{CC(min)}$ , PWM switching		10		mA
		$V_{CC} > V_{CC(min)}$ , PWM NOT switching			5	
		$V_{CC} > V_{CC(min)}$ , $\overline{CE} = \text{HIGH}$				315
$I_{(SLP)}$	Battery discharge sleep current, (SNS, BAT, OUT, FB pins)	$0^\circ\text{C} \leq T_J \leq 65^\circ\text{C}$ , $V_{I(BAT)} = 4.2\text{ V}$ , $V_{CC} < V_{(SLP)}$ or $V_{CC} > V_{(SLP)}$ but not in charge			3.5	$\mu\text{A}$
		$0^\circ\text{C} \leq T_J \leq 65^\circ\text{C}$ , $V_{I(BAT)} = 8.4\text{ V}$ , $V_{CC} < V_{(SLP)}$ or $V_{CC} > V_{(SLP)}$ but not in charge			5.5	
		$0^\circ\text{C} \leq T_J \leq 65^\circ\text{C}$ , $V_{I(BAT)} = 12.6\text{ V}$ , $V_{CC} < V_{(SLP)}$ or $V_{CC} > V_{(SLP)}$ but not in charge			7.7	
<b>VOLTAGE REGULATION</b>						
$V_{OREG}$	Output voltage, bq24103/03A/04/13/13A	CELLS = Low, in voltage regulation		4.2		V
		CELLS = High, in voltage regulation		8.4		
	Output voltage, bq24100/08/09	Operating in voltage regulation		4.2		
$V_{IBAT}$	Feedback regulation REF for bq24105/15 only (W/FB)	$I_{IBAT} = 25\text{ nA}$ typical into pin		2.1		V
	Voltage regulation accuracy	$T_A = 25^\circ\text{C}$			–0.5%	0.5%
					–1%	1%
<b>CURRENT REGULATION - FAST CHARGE</b>						
$I_{OCHARGE}$	Output current range of converter	$V_{LOWV} \leq V_{I(BAT)} < V_{OREG}$ , $V_{(VCC)} - V_{I(BAT)} > V_{(DO-MAX)}$	150		2000	mA
$V_{IREG}$	Voltage regulated across $R_{(SNS)}$ Accuracy	$100\text{ mV} \leq V_{IREG} \leq 200\text{ mV}$ ,  $V_{IREG} = \frac{1V}{RSET1} \times 1000$ ,  Programmed Where $5\text{ k}\Omega \leq RSET1 \leq 10\text{ k}\Omega$ , Select RSET1 to program $V_{IREG}$ , $V_{IREG(measured)} = I_{OCHARGE} + R_{SNS}$ (–10% to 10% excludes errors due to RSET1 and $R_{(SNS)}$ tolerances)	–10%		10%	
$V_{(ISET1)}$	Output current set voltage	$V_{(LOWV)} \leq V_{I(BAT)} \leq V_{O(REG)}$ , $V_{(VCC)} \leq V_{I(BAT)} \times V_{(DO-MAX)}$		1		V
$K_{(ISET1)}$	Output current set factor	$V_{LOWV} \leq V_{I(BAT)} < V_{O(REG)}$ , $V_{(VCC)} \leq V_{I(BAT)} + V_{(DO-MAX)}$		1000		V/A
<b>PRECHARGE AND SHORT-CIRCUIT CURRENT REGULATION</b>						
$V_{LOWV}$	Precharge to fast-charge transition voltage threshold, BAT, bq24100/03/03A/04/05/08/09 ICs only		68	71.4	75	% $V_{O(REG)}$

## ELECTRICAL CHARACTERISTICS (continued)

T<sub>J</sub> = 0°C to 125°C and recommended supply voltage range (unless otherwise stated)

PARAMETER		TEST CONDITIONS	MIN	TYP	MAX	UNIT
t	Deglintch time for precharge to fast charge transition,	Rising voltage; t <sub>RISE</sub> , t <sub>FALL</sub> = 100 ns, 2-mV overdrive	20	30	40	ms
I <sub>OPRECHG</sub>	Precharge range	V <sub>I(BAT)</sub> < V <sub>LOWV</sub> , t < t <sub>PRECHG</sub>	15		200	mA
V <sub>I(SET2)</sub>	Precharge set voltage, ISET2	V <sub>I(BAT)</sub> < V <sub>LOWV</sub> , t < t <sub>PRECHG</sub>		100		mV
K <sub>I(SET2)</sub>	Precharge current set factor			1000		V/A
V <sub>I(REG-PRE)</sub>	Voltage regulated across R <sub>SNS</sub> -Accuracy	100 mV ≤ V <sub>I(REG-PRE)</sub> ≤ 100 mV,  $V_{I(REG-PRE)} = \frac{0.1V}{RSET2} \times 1000,$ (PGM) Where 1.2 kΩ ≤ RSET2 ≤ 10 kΩ, Select RSET1 to program V <sub>I(REG-PRE)</sub> . V <sub>I(REG-PRE)</sub> (Measured) = I <sub>OPRE-CHG</sub> × R <sub>SNS</sub> (-20% to 20% excludes errors due to RSET1 and R <sub>SNS</sub> tolerances)	-20%		20%	
<b>CHARGE TERMINATION (CURRENT TAPER) DETECTION</b>						
I <sub>TERM</sub>	Charge current termination detection range	V <sub>I(BAT)</sub> > V <sub>RCH</sub>	15		200	mA
V <sub>TERM</sub>	Charge termination detection set voltage, ISET2	V <sub>I(BAT)</sub> > V <sub>RCH</sub>		100		mV
K <sub>I(SET2)</sub>	Termination current set factor			1000		V/A
	Charger termination accuracy	V <sub>I(BAT)</sub> > V <sub>RCH</sub>	-20%		20%	
t <sub>dg-TERM</sub>	Deglintch time for charge termination	Both rising and falling, 2-mV overdrive t <sub>RISE</sub> , t <sub>FALL</sub> = 100 ns	20	30	40	ms
<b>TEMPERATURE COMPARATOR AND VTSB BIAS REGULATOR</b>						
% <sub>LTF</sub>	Cold temperature threshold, TS, % of bias	V <sub>LTF</sub> = V <sub>O(VTSB)</sub> × % LTF/100	72.8%	73.5%	74.2%	
% <sub>HTF</sub>	Hot temperature threshold, TS, % of bias	V <sub>HTF</sub> = V <sub>O(VTSB)</sub> × % HTF/100	33.7%	34.4%	35.1%	
% <sub>TCO</sub>	Cutoff temperature threshold, TS, % of bias	V <sub>TCO</sub> = V <sub>O(VTSB)</sub> × % TCO/100	28.7%	29.3%	29.9%	
	LTF hysteresis		0.5%	1%	1.5%	
t <sub>dg-TS</sub>	Deglintch time for temperature fault, TS	Both rising and falling, 2-mV overdrive t <sub>RISE</sub> , t <sub>FALL</sub> = 100 ns	20	30	40	ms
	Deglintch time for temperature fault, TS, bq24109, bq24104			500		
V <sub>O(VTSB)</sub>	TS bias output voltage	V <sub>CC</sub> > V <sub>IN(min)</sub> , I <sub>(VTSB)</sub> = 10 mA 0.1 μF ≤ C <sub>O(VTSB)</sub> ≤ 1 μF		3.15		V
V <sub>O(VTSB)</sub>	TS bias voltage regulation accuracy	V <sub>CC</sub> > V <sub>IN(min)</sub> , I <sub>(VTSB)</sub> = 10 mA 0.1 μF ≤ C <sub>O(VTSB)</sub> ≤ 1 μF	-10%		10%	
<b>BATTERY RECHARGE THRESHOLD</b>						
V <sub>RCH</sub>	Recharge threshold voltage	Below V <sub>OREG</sub>	75	100	125	mV/cell
t <sub>dg-RCH</sub>	Deglintch time	V <sub>I(BAT)</sub> < decreasing below threshold, t <sub>FALL</sub> = 100 ns 10-mV overdrive	20	30	40	ms
<b>STAT1, STAT2, AND PG OUTPUTS</b>						
V <sub>OL(STATx)</sub>	Low-level output saturation voltage, STATx	I <sub>O</sub> = 5 mA			0.5	V
V <sub>OL(PG)</sub>	Low-level output saturation voltage, PG	I <sub>O</sub> = 10 mA			0.1	
<b>CE CMODE, CELLS INPUTS</b>						
V <sub>IL</sub>	Low-level input voltage	I <sub>IL</sub> = 5 μA	0		0.4	V
V <sub>IH</sub>	High-level input voltage	I <sub>IH</sub> = 20 μA	1.3		V <sub>CC</sub>	
<b>TTC INPUT</b>						
t <sub>PRECHG</sub>	Precharge timer		1440	1800	2160	s
t <sub>CHARGE</sub>	Programmable charge timer range	t <sub>(CHG)</sub> = C <sub>(TTC)</sub> × K <sub>(TTC)</sub>	25		572	minutes
	Charge timer accuracy	0.01 μF ≤ C <sub>(TTC)</sub> ≤ 0.18 μF	-10%		10%	
K <sub>TTC</sub>	Timer multiplier			2.6		min/nF
C <sub>TTC</sub>	Charge time capacitor range		0.01		0.22	μF
V <sub>TTC_EN</sub>	TTC enable threshold voltage	V <sub>(TTC)</sub> rising		200		mV

**ELECTRICAL CHARACTERISTICS (continued)**

 T<sub>J</sub> = 0°C to 125°C and recommended supply voltage range (unless otherwise stated)

PARAMETER		TEST CONDITIONS	MIN	TYP	MAX	UNIT
<b>SLEEP COMPARATOR</b>						
V <sub>SLP-ENT</sub>	Sleep-mode entry threshold	2.3 V ≤ V <sub>I(OUT)</sub> ≤ V <sub>OREG</sub> , for 1 or 2 cells	V <sub>CC</sub> ≤ V <sub>IBAT</sub> +5 mV		V <sub>CC</sub> ≤ V <sub>IBAT</sub> +75 mV	V
		V <sub>I(OUT)</sub> = 12.6 V, R <sub>IN</sub> = 1 kΩ bq24105/15 <sup>(1)</sup>	V <sub>CC</sub> ≤ V <sub>IBAT</sub> -4 mV		V <sub>CC</sub> ≤ V <sub>IBAT</sub> +73 mV	
V <sub>SLP-EXIT</sub>	Sleep-mode exit hysteresis,	2.3 V ≤ V <sub>I(OUT)</sub> ≤ V <sub>OREG</sub>	40		160	mV
t <sub>dg-SLP</sub>	Deglitch time for sleep mode	V <sub>CC</sub> decreasing below threshold, t <sub>FALL</sub> = 100 ns, 10-mV overdrive, PMOS turns off		5		μs
		V <sub>CC</sub> decreasing below threshold, t <sub>FALL</sub> = 100 ns, 10-mV overdrive, STATx pins turn off	20	30	40	ms
<b>UVLO</b>						
V <sub>UVLO-ON</sub>	IC active threshold voltage	V <sub>CC</sub> rising	3.15	3.30	3.50	V
	IC active hysteresis	V <sub>CC</sub> falling	120	150		mV
<b>PWM</b>						
	Internal P-channel MOSFET on-resistance	7 V ≤ V <sub>CC</sub> ≤ V <sub>CC(max)</sub>			400	mΩ
		4.5 V ≤ V <sub>CC</sub> ≤ 7 V			500	
	Internal N-channel MOSFET on-resistance	7 V ≤ V <sub>CC</sub> ≤ V <sub>CC(max)</sub>			130	mΩ
		4.5 V ≤ V <sub>CC</sub> ≤ 7 V			150	
f <sub>OSC</sub>	Oscillator frequency			1.1		MHz
	Frequency accuracy		-9%		9%	
D <sub>MAX</sub>	Maximum duty cycle				100%	
D <sub>MIN</sub>	Minimum duty cycle		0%			
t <sub>TOD</sub>	Switching delay time (turn on)			20		ns
t <sub>synmin</sub>	Minimum synchronous FET on time			60		ns
	Synchronous FET minimum current-off threshold <sup>(2)</sup>		50		400	mA
<b>BATTERY DETECTION</b>						
I <sub>DETECT</sub>	Battery detection current during time-out fault	V <sub>I(BAT)</sub> < V <sub>OREG</sub> - V <sub>RCH</sub>		2		mA
I <sub>DISCHRG1</sub>	Discharge current	V <sub>SHORT</sub> < V <sub>I(BAT)</sub> < V <sub>OREG</sub> - V <sub>RCH</sub>		400		μA
t <sub>DISCHRG1</sub>	Discharge time	V <sub>SHORT</sub> < V <sub>I(BAT)</sub> < V <sub>OREG</sub> - V <sub>RCH</sub>		1		s
I <sub>WAKE</sub>	Wake current	V <sub>SHORT</sub> < V <sub>I(BAT)</sub> < V <sub>OREG</sub> - V <sub>RCH</sub>		2		mA
t <sub>WAKE</sub>	Wake time	V <sub>SHORT</sub> < V <sub>I(BAT)</sub> < V <sub>OREG</sub> - V <sub>RCH</sub>		0.5		s
I <sub>DISCHRG2</sub>	Termination discharge current	Begins after termination detected, V <sub>I(BAT)</sub> ≤ V <sub>OREG</sub>		400		μA
t <sub>DISCHRG2</sub>	Termination time			262		ms
<b>OUTPUT CAPACITOR</b>						
C <sub>OUT</sub>	Required output ceramic capacitor range from SNS to PGND, between inductor and R <sub>SNS</sub>		4.7	10	47	μF
C <sub>SNS</sub>	Required SNS capacitor (ceramic) at SNS pin			0.1		μF
<b>PROTECTION</b>						
V <sub>OVP</sub>	OVP threshold voltage	Threshold over V <sub>OREG</sub> to turn off P-channel MOSFET, STAT1, and STAT2 during charge or termination states	110	117	121	%V <sub>O(REG)</sub>
I <sub>LIMIT</sub>	Cycle-by-cycle current limit		2.6	3.6	4.5	A
V <sub>SHORT</sub>	Short-circuit voltage threshold, BAT	V <sub>I(BAT)</sub> falling	1.95	2	2.05	V/cell
I <sub>SHORT</sub>	Short-circuit current	V <sub>I(BAT)</sub> ≤ V <sub>SHORT</sub>	35		65	mA
T <sub>SHTDWN</sub>	Thermal trip			165		°C
	Thermal hysteresis			10		°C

 (1) For bq24105 and bq24115 only. R<sub>IN</sub> is connected between IN and PGND pins and needed to ensure sleep entry.

(2) N-channel always turns on for ~60 ns and then turns off if current is too low.

## TERMINAL FUNCTIONS

NAME	TERMINAL					I/O	DESCRIPTION
	bq24100, bq24108, bq24109	bq24103, bq24103A bq24104	bq24105	bq24113, bq24113A	bq24115		
BAT	14	14	14	14	14	I	Battery voltage sense input. Bypass it with a 0.1 $\mu$ F capacitor to PGND if there are long <i>inductive</i> leads to battery.
$\overline{\text{CE}}$	16	16	16	16	16	I	Charger enable input. This active low input, if set high, suspends charge and places the device in the low-power sleep mode. Do not pull up this input to VTSB.
CELLS		13		13		I	Available on parts with fixed output voltage. Ground or float for single-cell operation (4.2 V). For two-cell operation (8.4 V) pull up this pin with a resistor to V <sub>CC</sub> .
CMODE				7	7	I	Charge mode selection: low for precharge as set by ISET2 pin and high (pull up to VTSB or <7 V) for fast charge as set by ISET1.
FB			13		13	I	Output voltage analog feedback adjustment. Connect the output of a resistive voltage divider powered from the battery terminals to this node to adjust the output battery voltage regulation.
IN	3, 4	3, 4	3, 4	3, 4	3, 4	I	Charger input voltage.
ISET1	8	8	8	8	8	I/O	Charger current set point 1 (fast charge). Use a resistor to ground to set this value.
ISET2	9	9	9	9	9	I/O	Charge current set point 2 (precharge and termination), set by a resistor connected to ground. A low-level CMODE signal selects the ISET2 charge rate, but if the battery voltage reaches the regulation set point, bqSWITCHER changes to voltage regulation regardless of CMODE input.
N/C	13			19	19	-	No connection. This pin must be left floating in the application.
OUT	1	1	1	1	1	O	Charge current output inductor connection. Connect a zener TVS diode between OUT pin and PGND pin to clamp the voltage spike to protect the power MOSFETs during abnormal conditions.
	20	20	20	20	20	O	
$\overline{\text{PG}}$	5	5	5	5	5	O	Power-good status output (open drain). The transistor turns on when a valid V <sub>CC</sub> is detected. It is turned off in the sleep mode. $\overline{\text{PG}}$ can be used to drive a LED or communicate with a host processor.
PGND	17,18	17,18	17,18	17,18	17, 18		Power ground input
SNS	15	15	15	15	15	I	Charge current-sense input. Battery current is sensed via the voltage drop developed on this pin by an external sense resistor in series with the battery pack. A 0.1- $\mu$ F capacitor to PGND is required.
STAT1	2	2	2	2	2	O	Charge status 1 (open-drain output). When the transistor turns on indicates charge in process. When it is off and with the condition of STAT2 indicates various charger conditions (See <a href="#">Table 1</a> )
STAT2	19	19	19			O	Charge status 2 (open-drain output). When the transistor turns on indicates charge is done. When it is off and with the condition of STAT1 indicates various charger conditions (See <a href="#">Table 1</a> )
TS	12	12	12	12	12	I	Temperature sense input. This input monitors its voltage against an internal threshold to determine if charging is allowed. Use an NTC thermistor and a voltage divider powered from VTSB to develop this voltage. (See <a href="#">Figure 10</a> )
TTC	7	7	7			I	Timer and termination control. Connect a capacitor from this node to GND to set the bqSWITCHER timer. When this input is low, the timer and termination detection are disabled.
VCC	6	6	6	6	6	I	Analog device input. A 0.1 $\mu$ F capacitor to VSS is required.
VSS	10	10	10	10	10		Analog ground input
VTSB	11	11	11	11	11	O	TS internal bias regulator voltage. Connect capacitor (with a value between a 0.1- $\mu$ F and 1- $\mu$ F) between this output and VSS.
Exposed Thermal Pad	Pad	Pad	Pad	Pad	Pad		There is an internal electrical connection between the exposed thermal pad and VSS. The exposed thermal pad must be connected to the same potential as the VSS pin on the printed circuit board. The power pad can be used as a <i>star</i> ground connection between V <sub>SS</sub> and PGND. A common ground plane may be used. VSS pin must be connected to ground at all times.

TYPICAL APPLICATION CIRCUITS

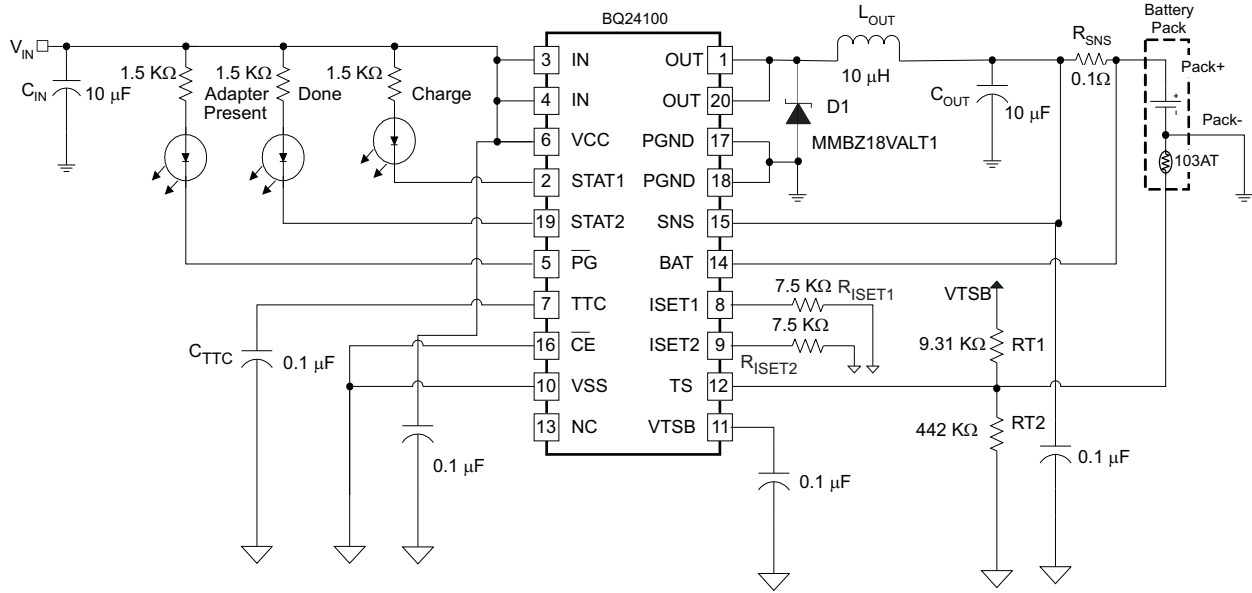
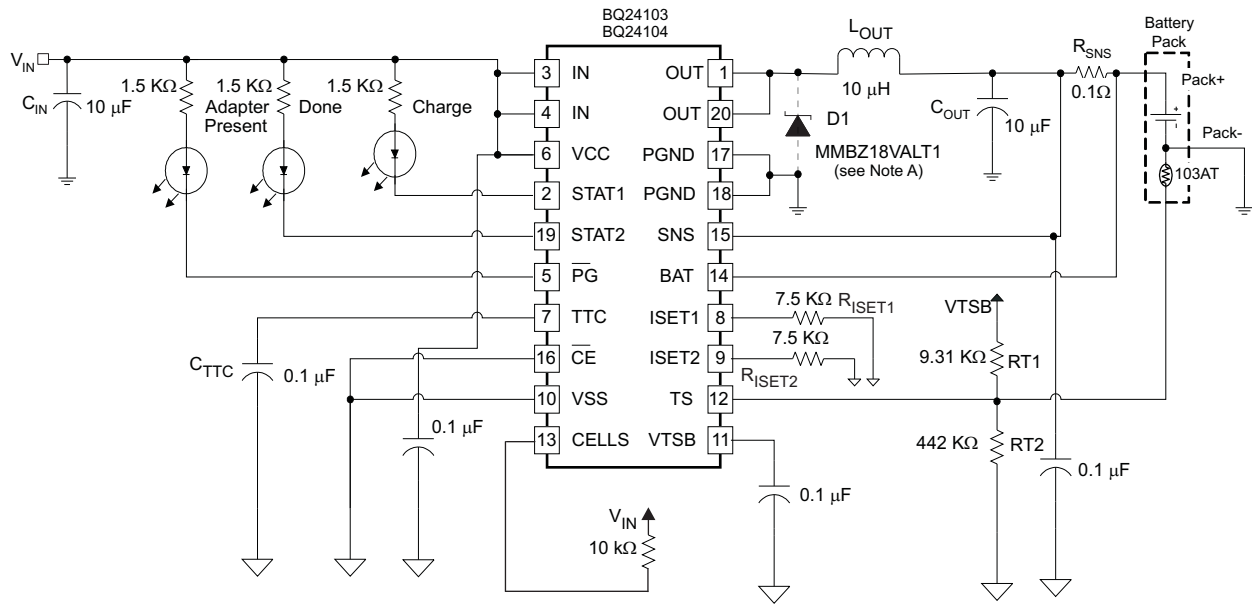


Figure 1. Stand-Alone 1-Cell Application



A. Zener diode not needed for bq24103A and bq24104.

Figure 2. Stand-Alone 2-Cell Application

TYPICAL APPLICATION CIRCUITS (continued)

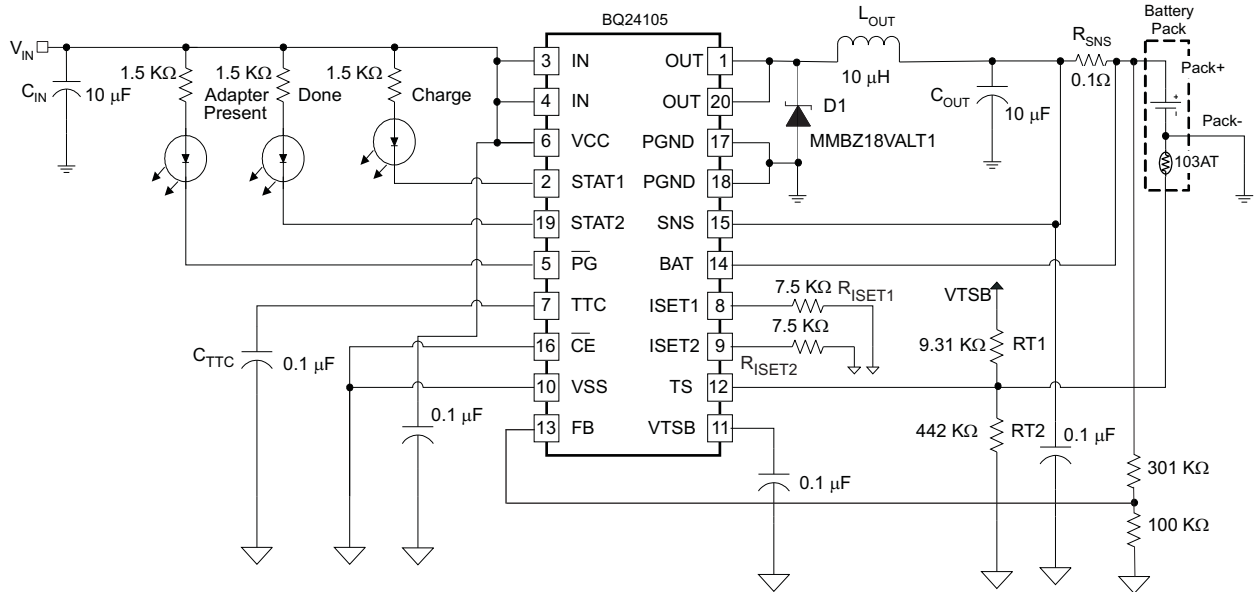
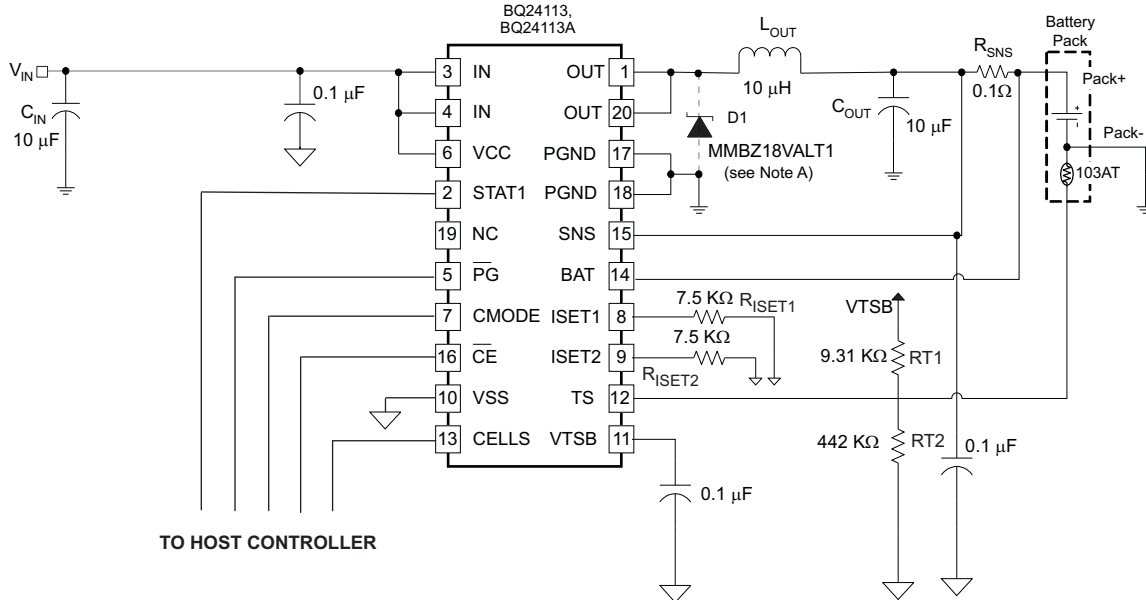


Figure 3. Stand-Alone 2-Cell Application

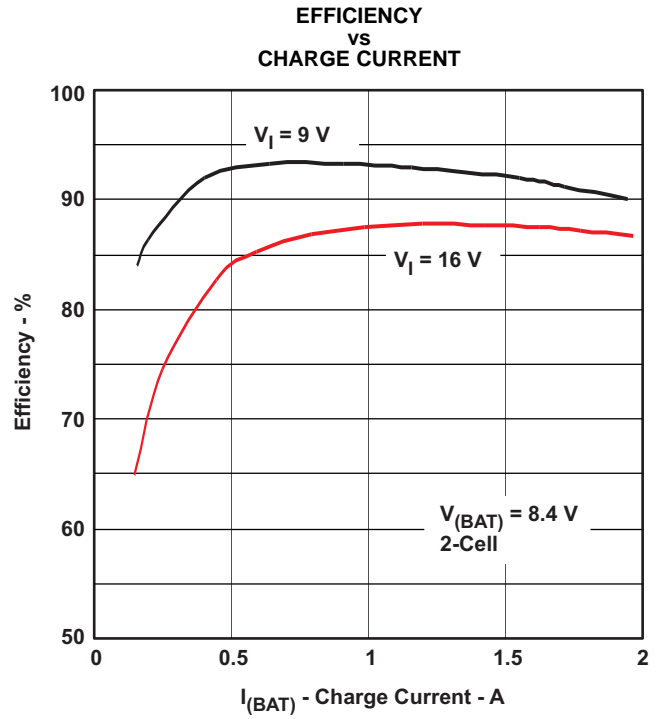
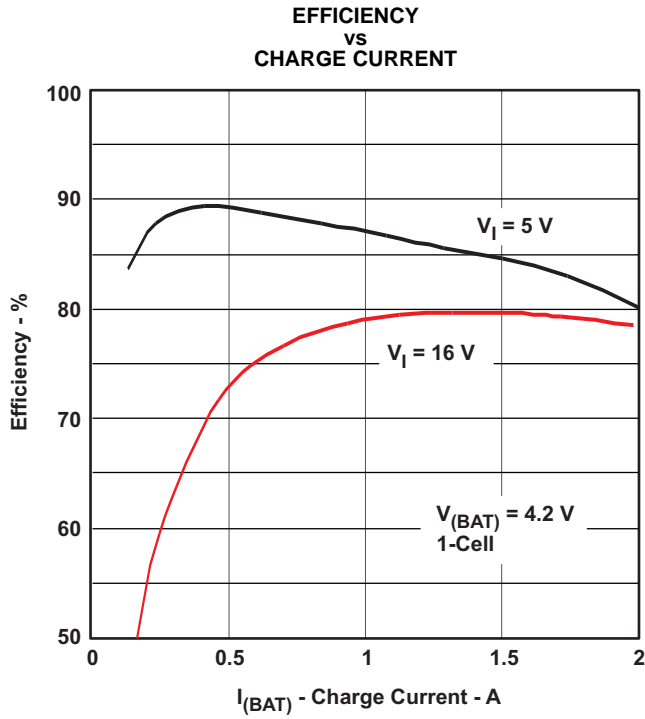


A. Zener diode not needed for bq24113A.

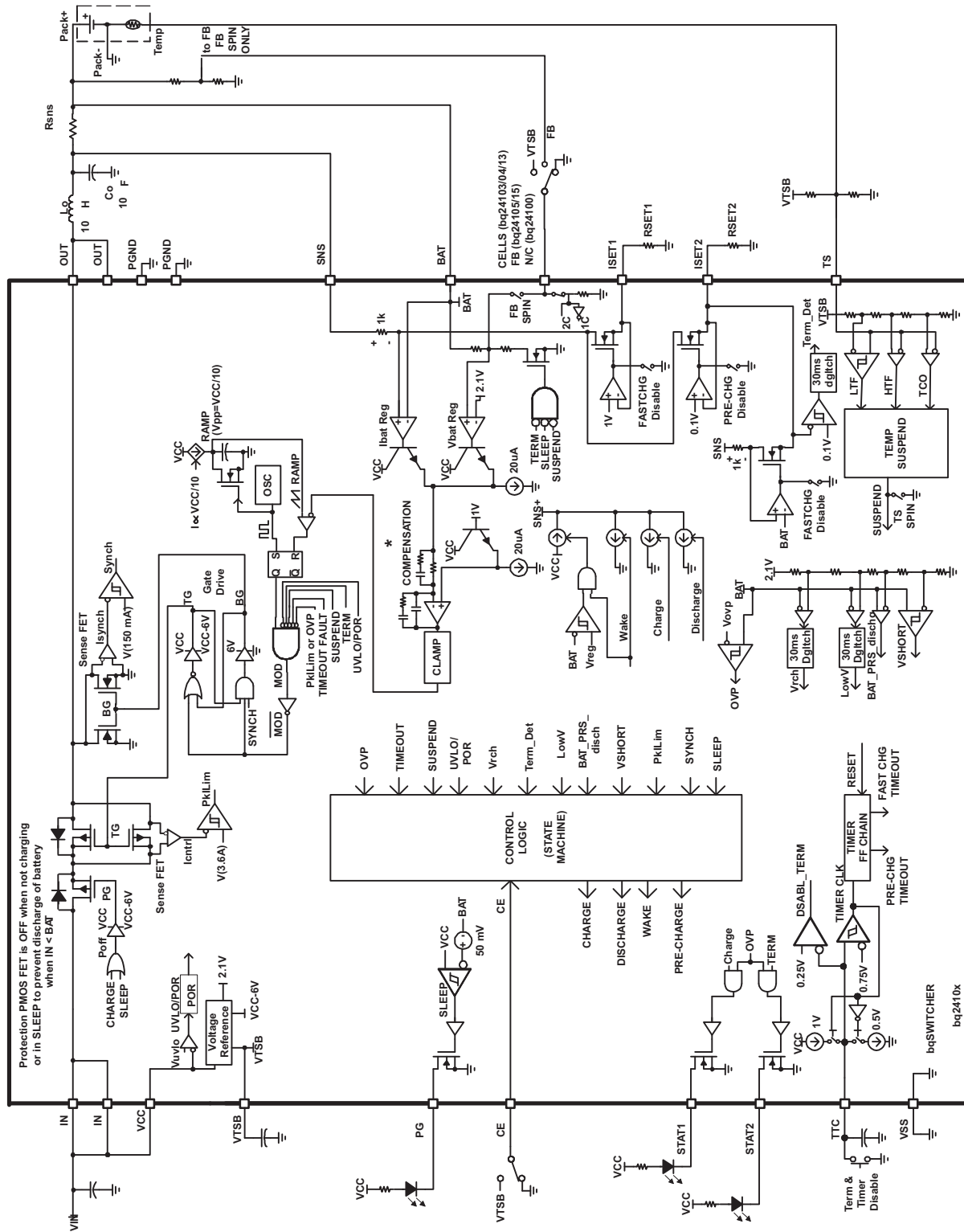
Figure 4. System-Controlled Application



TYPICAL OPERATING PERFORMANCE



FUNCTIONAL BLOCK DIAGRAM



\*Patent Pending #36889  
 bq2410x

OPERATIONAL FLOW CHART

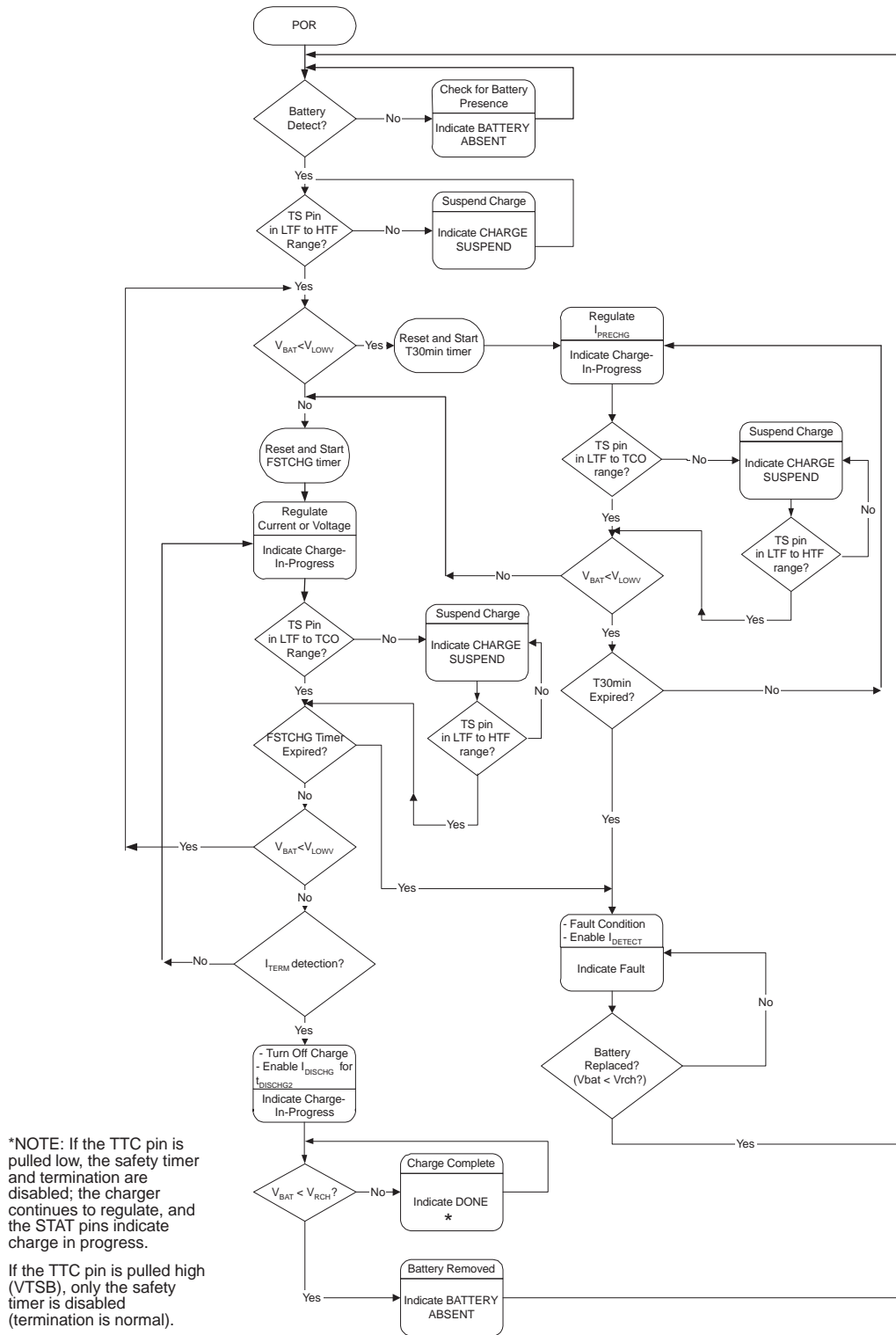


Figure 7. Stand-Alone Version Operational Flow Chart

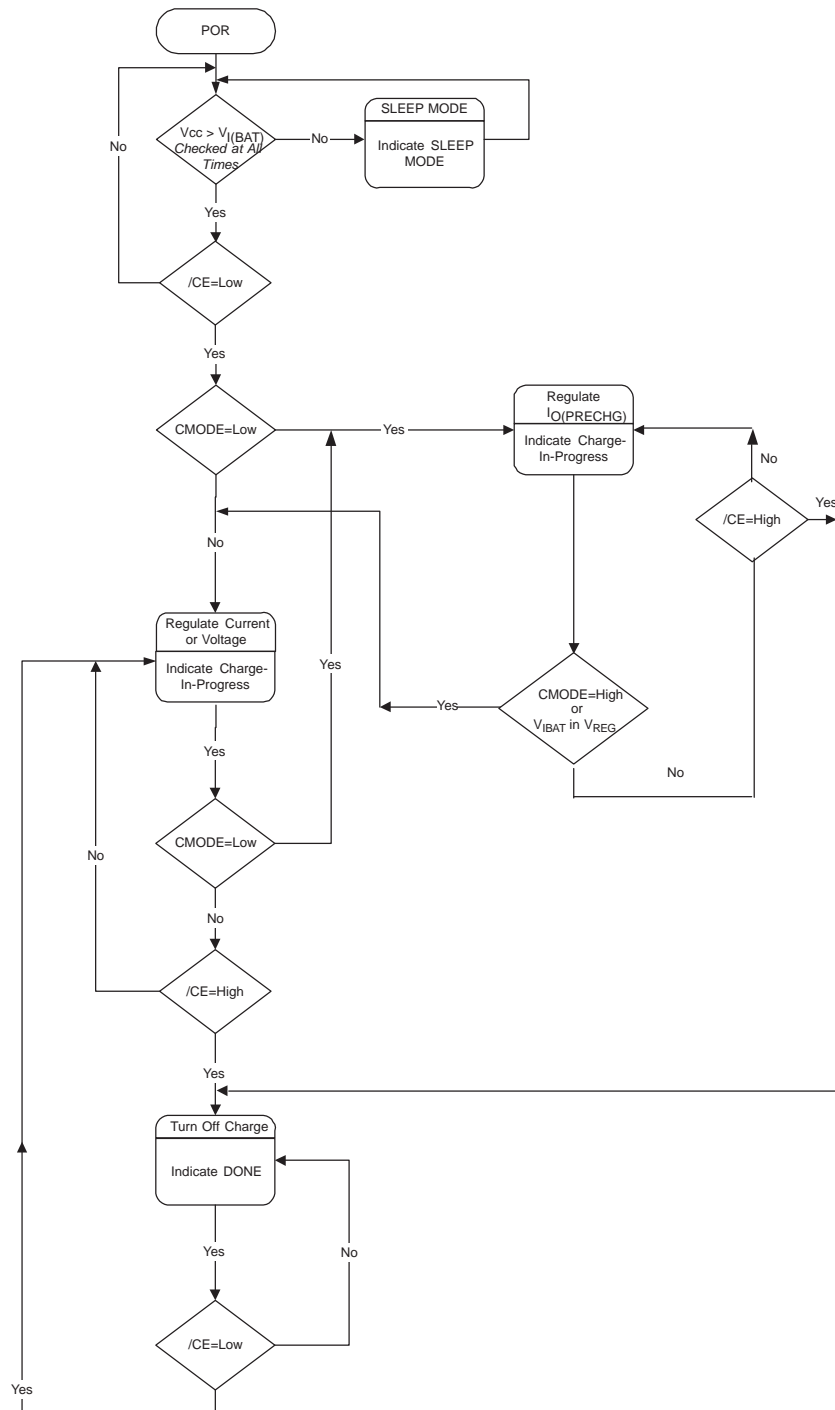


Figure 8. System-Controlled Operational Flow Chart

## DETAILED DESCRIPTION

The bqSWITCHER™ supports a precision Li-ion or Li-polymer charging system for one-, two-, or three-cell applications. See Figure 7 and Figure 8 for a typical charge profile.

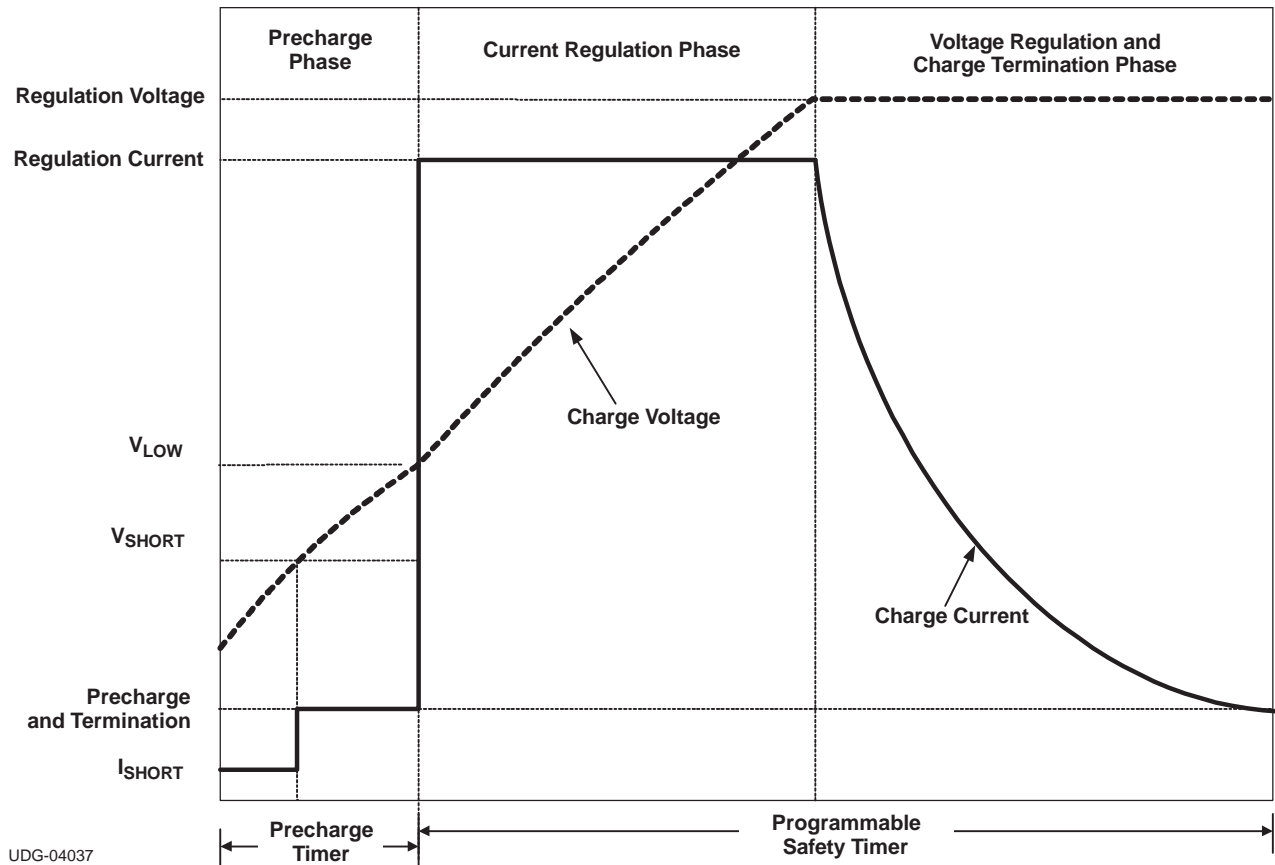


Figure 9. Typical Charging Profile

## PWM Controller

The bq241xx provides an integrated fixed 1MHz frequency voltage-mode controller with Feed-Forward function to regulate charge current or voltage. This type of controller is used to help improve line transient response, thereby simplifying the compensation network used for both continuous and discontinuous current conduction operation. The voltage and current loops are internally compensated using a Type-III compensation scheme that provides enough phase boost for stable operation, allowing the use of small ceramic capacitors with very low ESR. There is a 0.5V offset on the bottom of the PWM ramp to allow the device to operate between 0% to 100% duty cycle.

The internal PWM gate drive can directly control the internal PMOS and NMOS power MOSFETs. The high-side gate voltage swings from  $V_{CC}$  (when off), to  $V_{CC}-6$  (when on and  $V_{CC}$  is greater than 6V) to help reduce the conduction losses of the converter by enhancing the gate an extra volt beyond the standard 5V. The low-side gate voltage swings from 6V, to turn on the NMOS, down to PGND to turn it off. The bq241xx has two back to back common-drain P-MOSFETs on the high side. An input P-MOSFET prevents battery discharge when IN is lower than BAT. The second P-MOSFET behaves as the switching control FET, eliminating the need of a bootstrap capacitor.

Cycle-by-cycle current limit is sensed through the internal high-side sense FET. The threshold is set to a nominal 3.6A peak current. The low-side FET also has a current limit that decides if the PWM Controller will operate in synchronous or non-synchronous mode. This threshold is set to 100mA and it turns off the low-side NMOS before the current reverses, preventing the battery from discharging. Synchronous operation is used when the current of the low-side FET is greater than 100mA to minimize power losses.

## Temperature Qualification

The bqSWITCHER continuously monitors battery temperature by measuring the voltage between the TS pin and VSS pin. A negative temperature coefficient thermistor (NTC) and an external voltage divider typically develop this voltage. The bqSWITCHER compares this voltage against its internal thresholds to determine if charging is allowed. To initiate a charge cycle, the battery temperature must be within the  $V_{(LTF)}$ -to- $V_{(HTF)}$  thresholds. If battery temperature is outside of this range, the bqSWITCHER suspends charge and waits until the battery temperature is within the  $V_{(LTF)}$ -to- $V_{(HTF)}$  range. During the charge cycle (both precharge and fast charge), the battery temperature must be within the  $V_{(LTF)}$ -to- $V_{(TCO)}$  thresholds. If battery temperature is outside of this range, the bqSWITCHER suspends charge and waits until the battery temperature is within the  $V_{(LTF)}$ -to- $V_{(HTF)}$  range. The bqSWITCHER suspends charge by turning off the PWM and holding the timer value (i.e., timers are not reset during a suspend condition). Note that the bias for the external resistor divider is provided from the VTSB output. Applying a constant voltage between the  $V_{(LTF)}$ -to- $V_{(HTF)}$  thresholds to the TS pin disables the temperature-sensing feature.

$$RT2 = \frac{V_{O(VTSB)} \times RTH_{COLD} \times RTH_{HOT} \times \left[ \frac{1}{V_{LTF}} - \frac{1}{V_{HTF}} \right]}{RTH_{HOT} \times \left( \frac{V_{O(VTSB)}}{V_{HTF}} - 1 \right) - RTH_{COLD} \times \left( \frac{V_{O(VTSB)}}{V_{LTF}} - 1 \right)}$$

$$RT1 = \frac{\frac{V_{O(VTSB)}}{V_{LTF}} - 1}{\frac{1}{RT2} + \frac{1}{RTH_{COLD}}}$$

Where:

$$V_{LTF} = V_{O(VTSB)} \times \%_{LTF+100} / 100$$

$$V_{HTF} = V_{O(VTSB)} \times \%_{HTF+100} / 100$$

(1)

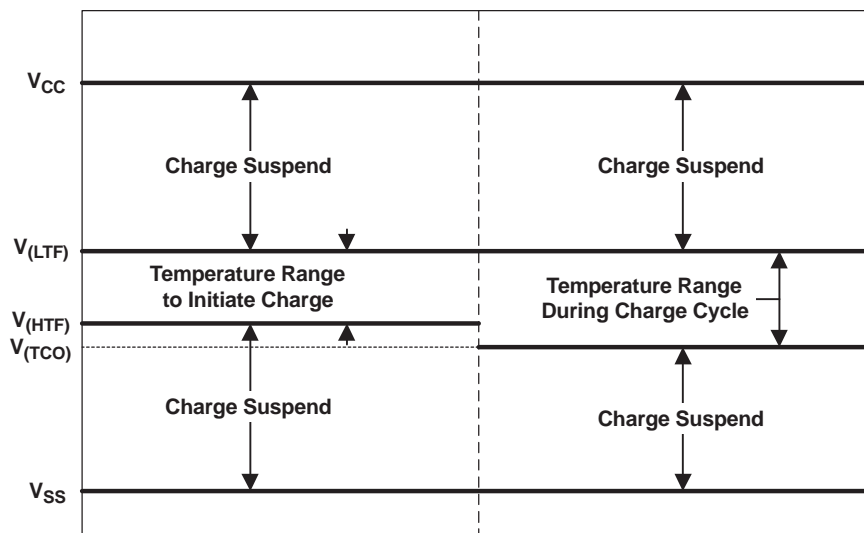


Figure 10. TS Pin Thresholds

## Battery Preconditioning (Precharge)

On power up, if the battery voltage is below the  $V_{LOWV}$  threshold, the bqSWITCHER applies a precharge current,  $I_{PRECHG}$ , to the battery. This feature revives deeply discharged cells. The bqSWITCHER activates a safety timer,  $t_{PRECHG}$ , during the conditioning phase. If the  $V_{LOWV}$  threshold is not reached within the timer period, the bqSWITCHER turns off the charger and enunciates FAULT on the STATx pins. In the case of a FAULT condition, the bqSWITCHER reduces the current to  $I_{DETECT}$ .  $I_{DETECT}$  is used to detect a battery replacement condition. Fault condition is cleared by POR or battery replacement.

The magnitude of the precharge current,  $I_{O(PRECHG)}$ , is determined by the value of programming resistor,  $R_{(ISET2)}$ , connected to the ISET2 pin.

$$I_{O(PRECHG)} = \frac{K_{(ISET2)} \times V_{(ISET2)}}{(R_{(ISET2)} \times R_{(SNS)})} \quad (2)$$

where

$R_{SNS}$  is the external current-sense resistor

$V_{(ISET2)}$  is the output voltage of the ISET2 pin

$K_{(ISET2)}$  is the V/A gain factor

$V_{(ISET2)}$  and  $K_{(ISET2)}$  are specified in the Electrical Characteristics table.

### Battery Charge Current

The battery charge current,  $I_{O(CHARGE)}$ , is established by setting the external sense resistor,  $R_{(SNS)}$ , and the resistor,  $R_{(ISET1)}$ , connected to the ISET1 pin.

In order to set the current, first choose  $R_{(SNS)}$  based on the regulation threshold  $V_{IREG}$  across this resistor. The best accuracy is achieved when the  $V_{IREG}$  is between 100mV and 200mV.

$$R_{(SNS)} = \frac{V_{IREG}}{I_{OCHARGE}} \quad (3)$$

If the results is not a standard sense resistor value, choose the next larger value. Using the selected standard value, solve for  $V_{IREG}$ . Once the sense resistor is selected, the ISET1 resistor can be calculated using the following equation:

$$R_{ISET1} = \frac{K_{ISET1} \times V_{ISET1}}{R_{SNS} \times I_{CHARGE}} \quad (4)$$

### Battery Voltage Regulation

The voltage regulation feedback occurs through the BAT pin. This input is tied directly to the positive side of the battery pack. The bqSWITCHER monitors the battery-pack voltage between the BAT and VSS pins. The bqSWITCHER is offered in a fixed single-cell voltage version (4.2 V) and as a one-cell or two-cell version selected by the CELLS input. A low or floating input on the CELLS selects single-cell mode (4.2 V) while a high-input through a resistor selects two-cell mode (8.4 V).

For the bq24105 and bq24115, the output regulation voltage is specified as:

$$V_{OREG} = \frac{(R1 + R2)}{R2 \times V_{IBAT}} \quad (5)$$

where R1 and R2 are resistor divider from BAT to FB and FB to VSS, respectively.

The bq24105 and bq24115 recharge threshold voltage is specified as:

$$V_{RCH} = \frac{(R1 + R2)}{R2 \times 50 \text{ mV}} \quad (6)$$

## Charge Termination and Recharge

The bqSWITCHER monitors the charging current during the voltage regulation phase. Once the termination threshold,  $I_{\text{TERM}}$ , is detected, the bqSWITCHER terminates charge. The termination current level is selected by the value of programming resistor,  $R_{(\text{ISET2})}$ , connected to the ISET2 pin.

$$I_{\text{TERM}} = \frac{K_{(\text{ISET2})} \times V_{\text{TERM}}}{(R_{(\text{ISET2})} \times R_{(\text{SNS})})} \quad (7)$$

where

$R_{(\text{SNS})}$  is the external current-sense resistor

$V_{\text{TERM}}$  is the output of the ISET2 pin

$K_{(\text{ISET2})}$  is the A/V gain factor

$V_{\text{TERM}}$  and  $K_{(\text{ISET2})}$  are specified in the Electrical Characteristics table

As a safety backup, the bqSWITCHER also provides a programmable charge timer. The charge time is programmed by the value of a capacitor connected between the TTC pin and GND by the following formula:

$$t_{\text{CHARGE}} = C_{(\text{TTC})} \times K_{(\text{TTC})} \quad (8)$$

where

$C_{(\text{TTC})}$  is the capacitor connected to the TTC pin

$K_{(\text{TTC})}$  is the multiplier

A new charge cycle is initiated when one of the following conditions is detected:

- The battery voltage falls below the  $V_{\text{RCH}}$  threshold.
- Power-on reset (POR), if battery voltage is below the  $V_{\text{RCH}}$  threshold
- $\overline{\text{CE}}$  toggle
- TTC pin, described as follows.

In order to disable the charge termination and safety timer, the user can pull the TTC input below the  $V_{\text{TTC\_EN}}$  threshold. Going above this threshold enables the termination and safety timer features and also resets the timer. Tying TTC high disables the safety timer only.



## Sleep Mode

The bqSWITCHER enters the low-power sleep mode if the VCC pin is removed from the circuit. This feature prevents draining the battery during the absence of VCC.

## Charge Status Outputs

The open-drain STAT1 and STAT2 outputs indicate various charger operations as shown in [Table 1](#). These status pins can be used to drive LEDs or communicate to the host processor. Note that OFF indicates that the open-drain transistor is turned off.

**Table 1. Status Pins Summary**

Charge State	STAT1	STAT2
Charge-in-progress	ON	OFF
Charge complete	OFF	ON
Charge suspend, timer fault, overvoltage, sleep mode, battery absent	OFF	OFF

**Table 2. Status Pins Summary (bq24104, bq24108 and bq24109 only)**

Charge State	STAT1	STAT2
Battery absent	OFF	OFF
Charge-in-progress	ON	OFF
Charge complete	OFF	ON
Battery over discharge, $V_{I(BAT)} < V_{(SC)}$	ON/OFF (0.5 Hz)	OFF
Charge suspend (due to TS pin and internal thermal protection)	ON/OFF (0.5 Hz)	OFF
Precharge timer fault	ON/OFF (0.5 Hz)	OFF
Fast charge timer fault	ON/OFF (0.5 Hz)	OFF
Sleep mode	OFF	OFF

## $\overline{PG}$ Output

The open-drain  $\overline{PG}$  (power good) indicates when the AC-to-DC adapter (i.e.,  $V_{CC}$ ) is present. The output turns on when sleep-mode exit threshold,  $V_{SLP-EXIT}$ , is detected. This output is turned off in the sleep mode. The  $\overline{PG}$  pin can be used to drive an LED or communicate to the host processor.

## $\overline{CE}$ Input (Charge Enable)

The  $\overline{CE}$  digital input is used to disable or enable the charge process. A low-level signal on this pin enables the charge and a high-level  $V_{CC}$  signal disables the charge. A high-to-low transition on this pin also resets all timers and fault conditions. Note that the  $\overline{CE}$  pin cannot be pulled up to VTSB voltage. This may create power-up issues.

## Timer Fault Recovery

As shown in FIGURE 10, bqSWITCHER provides a recovery method to deal with timer fault conditions. The following summarizes this method.

**Condition 1**  $V_{(BAT)}$  above recharge threshold ( $V_{OREG} - V_{RCH}$ ) and timeout fault occurs.

Recovery method: bqSWITCHER waits for the battery voltage to fall below the recharge threshold. This could happen as a result of a load on the battery, self-discharge or battery removal. Once the battery falls below the recharge threshold, the bqSWITCHER clears the fault and enters the battery absent detection routine. A POR or  $\overline{CE}$  toggle also clears the fault.

**Condition 2** Charge voltage below recharge threshold ( $V_{OREG} - V_{RCH}$ ) and timeout fault occurs

Recovery method: Under this scenario, the bqSWITCHER applies the  $I_{DETECT}$  current. This small current is used to detect a battery removal condition and remains on as long as the battery voltage stays below the recharge threshold. If the battery voltage goes above the recharge threshold, then the bqSWITCHER disables the  $I_{DETECT}$  current and executes the recovery method described in Condition 1. Once the battery falls below the recharge threshold, the bqSWITCHER clears the fault and enters the battery absent detection routine. A POR or  $\overline{CE}$  toggle also clears the fault.

## Output Overvoltage Protection (Applies To All Versions)

The bqSWITCHER provides a built-in overvoltage protection to protect the device and other components against damages if the battery voltage gets too high, as when the battery is suddenly removed. When an overvoltage condition is detected, this feature turns off the PWM and STATx pins. The fault is cleared once  $V_{IBAT}$  drops to the recharge threshold ( $V_{OREG} - V_{RCH}$ ).

## Functional Description for System-Controlled Version (bq2411x)

For applications requiring charge management under the host system control, the bqSWITCHER (bq2411x) offers a number of control functions. The following section describes these functions.

### Precharge And Fast-Charge Control

A low-level signal on the CMODE pin forces the bqSWITCHER to charge at the precharge rate set on the ISET2 pin. A high-level signal forces charge at fast-charge rate as set by the ISET1 pin. If the battery reaches the voltage regulation level,  $V_{OREG}$ , the bqSWITCHER transitions to voltage regulation phase regardless of the status of the CMODE input.

### Charge Termination And Safety Timers

The charge timers and termination are disabled in the system-controlled versions of the bqSWITCHER. The host system can use the  $\overline{CE}$  input to enable or disable charge. When an overvoltage condition is detected, the charger process stops, and all power FETs are turned off.

### Inductor, Capacitor, and Sense Resistor Selection Guidelines

The bqSWITCHER provides internal loop compensation. With this scheme, best stability occurs when LC resonant frequency,  $f_0$  is approximately 16 kHz (8 kHz to 32 kHz). Equation 9 can be used to calculate the value of the output inductor and capacitor. Table 3 provides a summary of typical component values for various charge rates.

$$f_0 = \frac{1}{2\pi \times \sqrt{L_{OUT} \times C_{OUT}}} \quad (9)$$

**Table 3. Output Components Summary**

CHARGE CURRENT	0.5 A	1 A	2 A
Output inductor, $L_{OUT}$	22 $\mu$ H	10 $\mu$ H	4.7 $\mu$ H
Output capacitor, $C_{OUT}$	4.7 $\mu$ F	10 $\mu$ F	22 $\mu$ F (or 2 $\times$ 10 $\mu$ F) ceramic
Sense resistor, $R_{(SNS)}$	0.2 $\Omega$	0.1 $\Omega$	0.05 $\Omega$

## Battery Detection

For applications with removable battery packs, bqSWITCHER provides a battery absent detection scheme to reliably detect insertion and/or removal of battery packs.

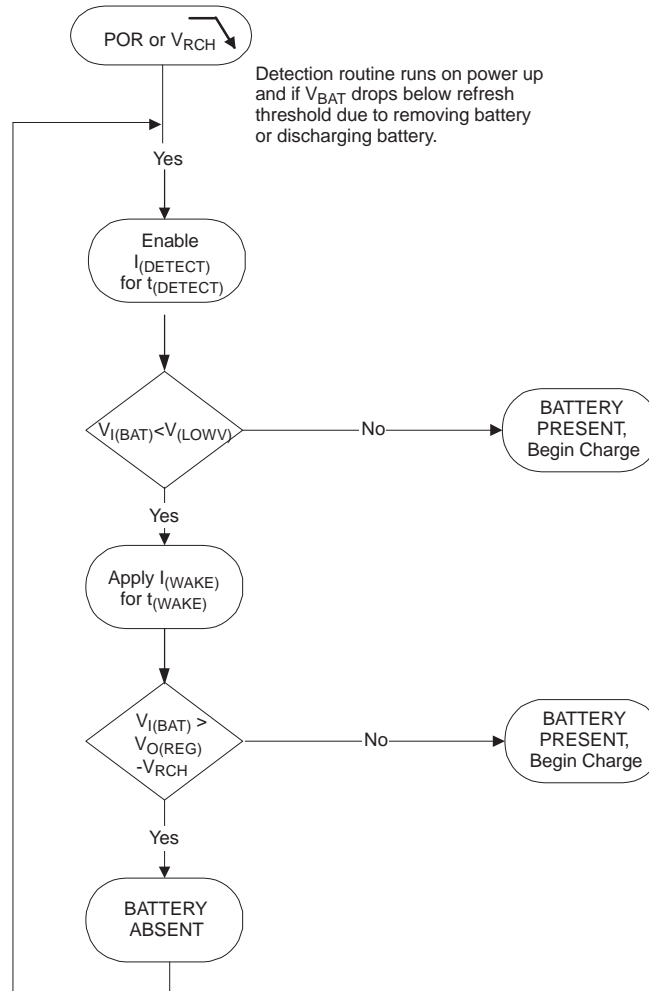


Figure 11. Battery Absent Detection for bq2410x ICs only

The voltage at the BAT pin is held above the battery recharge threshold,  $V_{OREG} - V_{RCH}$ , by the charged battery following fast charging. When the voltage at the BAT pin falls to the recharge threshold, either by a load on the battery or due to battery removal, the bqSWITCHER begins a battery absent detection test. This test involves enabling a detection current,  $I_{DISCHARGE1}$ , for a period of  $t_{DISCHARGE1}$  and checking to see if the battery voltage is below the short circuit threshold,  $V_{SHORT}$ . Following this, the wake current,  $I_{WAKE}$  is applied for a period of  $t_{WAKE}$  and the battery voltage is checked again to ensure that it is above the recharge threshold. The purpose of this current is to attempt to close an open battery pack protector, if one is connected to the bqSWITCHER.

Passing both of the discharge and charge tests indicates a battery absent fault at the STAT pins. Failure of either test starts a new charge cycle. For the absent battery condition, typically the voltage on the BAT pin rises and falls between  $0V$  and  $V_{OVP}$  thresholds indefinitely.

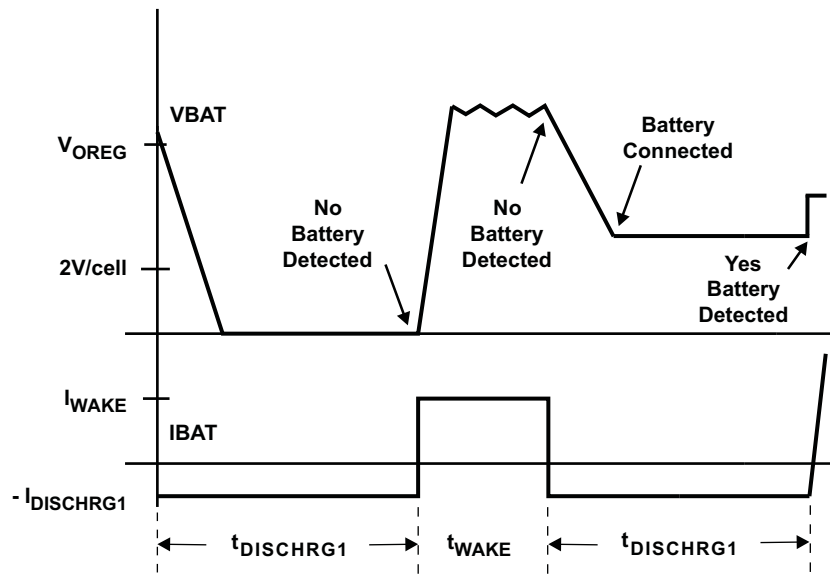


Figure 12. Battery Detect Timing Diagram

### Battery Detection Example

In order to detect a *no battery* condition during the discharge and wake tests, the maximum output capacitance should not exceed the following:

- a. Discharge ( $I_{DISCHRG1} = 400 \mu\text{A}$ ,  $t_{DISCHRG1} = 1\text{s}$ ,  $V_{SHORT} = 2\text{V}$ )

$$C_{MAX\_DIS} = \frac{I_{DISCHRG1} \times t_{DISCHRG1}}{V_{OREG} - V_{SHORT}}$$

$$C_{MAX\_DIS} = \frac{400 \mu\text{A} \times 1\text{s}}{4.2\text{V} - 2\text{V}}$$

$$C_{MAX\_DIS} = 182 \mu\text{F}$$

(10)

- b. Wake ( $I_{WAKE} = 2\text{mA}$ ,  $t_{WAKE} = 0.5\text{s}$ ,  $V_{OREG} - V_{RCH} = 4.1\text{V}$ )

$$C_{MAX\_WAKE} = \frac{I_{WAKE} \times t_{WAKE}}{(V_{OREG} - V_{RCH}) - 0\text{V}}$$

$$C_{MAX\_WAKE} = \frac{2\text{mA} \times 0.5\text{s}}{(4.2\text{V} - 0.1\text{V}) - 0\text{V}}$$

$$C_{MAX\_WAKE} = 244 \mu\text{F}$$

(11)

Based on these calculations the recommended maximum output capacitance to ensure proper operation of the battery detection scheme is  $100 \mu\text{F}$  which will allow for process and temperature variations.

Figure 13 shows the battery detection scheme when a battery is inserted. Channel 3 is the output signal and Channel 4 is the output current. The output signal switches between  $V_{OREG}$  and GND until a battery is inserted. Once the battery is detected, the output current increases from  $0\text{A}$  to  $1.3\text{A}$ , which is the programmed charge current for this application.

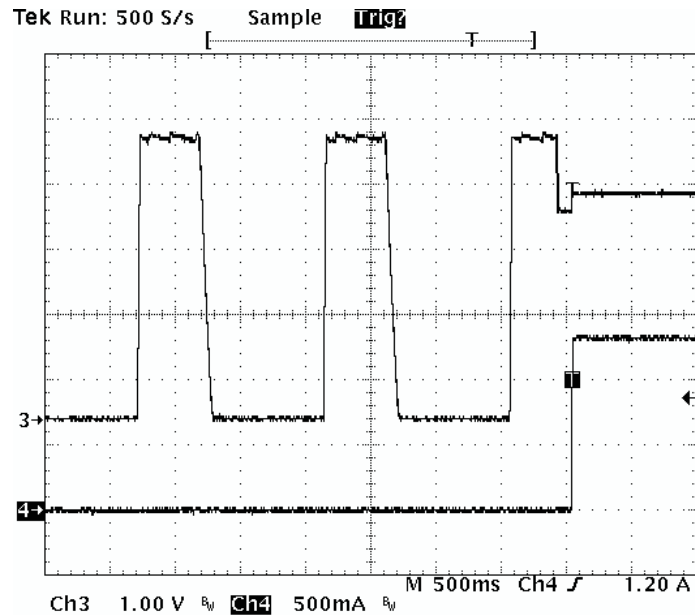


Figure 13. Battery Detection Waveform When a Battery is Inserted

Figure 14 shows the battery detection scheme when a battery is removed. Channel 3 is the output signal and Channel 4 is the output current. When the battery is removed, the output signal goes up due to the stored energy in the inductor and it crosses the  $V_{OREG} - V_{RCH}$  threshold. At this point the output current goes to 0A and the IC terminates the charge process and turns on the  $I_{DISCHG2}$  for  $t_{DISCHG2}$ . This causes the output voltage to fall down below the  $V_{OREG} - V_{RCHG}$  threshold triggering a *Battery Absent* condition and starting the battery detection scheme.

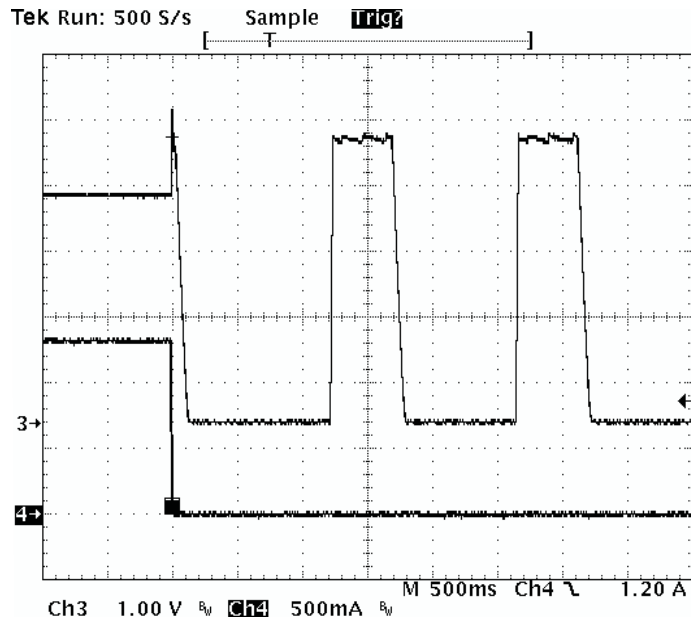


Figure 14. Battery Detection Waveform When a Battery is Removed

## Current Sense Amplifier

BQ241xx family offers a current sense amplifier feature that translates the charge current into a DC voltage. [Figure 15](#) is a block diagram of this feature.

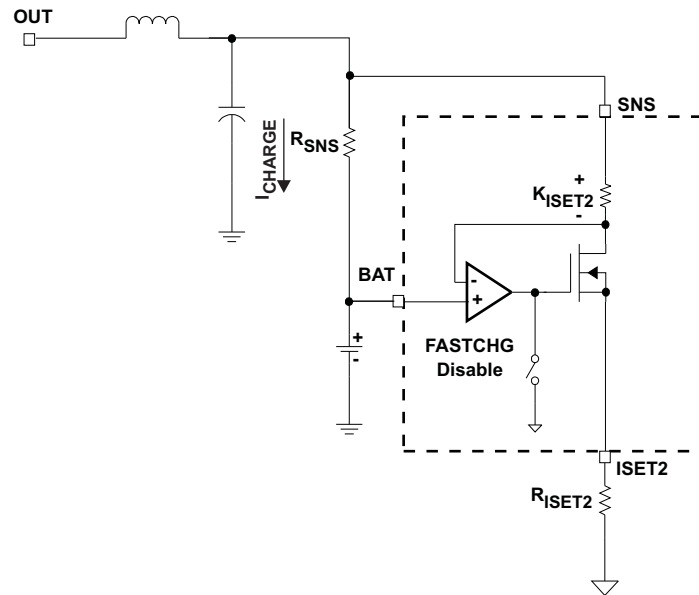


Figure 15. Current Sense Amplifier

The voltage on the ISET2 pin can be used to calculate the charge current. [Equation 12](#) shows the relationship between the ISET2 voltage and the charge current:

$$I_{\text{CHARGE}} = \frac{V_{\text{ISET2}} \times K_{(\text{ISET2})}}{R_{\text{SNS}} \times R_{\text{ISET2}}} \quad (12)$$

This feature can be used to monitor the charge current ([Figure 16](#)) during the current regulation phase (Fastcharge only) and the voltage regulation phase. The schematic for the application circuit for this waveform is shown in [Figure 18](#)

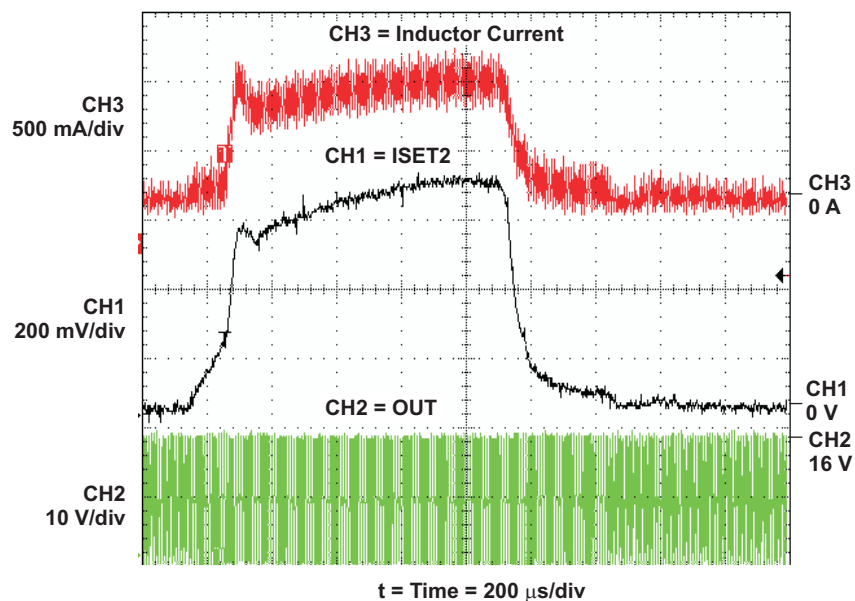


Figure 16. Current Sense Amplifier Charge Current Waveform

## bqSWITCHER SYSTEM DESIGN EXAMPLE

The following section provides a detailed system design example for the bq24100.

### System Design Specifications:

- $V_{IN} = 16V$
  - $V_{BAT} = 4.2V$  (1-Cell)
  - $I_{CHARGE} = 1.33 A$
  - $I_{PRECHARGE} = I_{TERM} = 133 mA$
  - Safety Timer = 5 hours
  - Inductor Ripple Current = 30% of Fast Charge Current
  - Initiate Charge Temperature = 0°C to 45°C
1. Determine the inductor value ( $L_{OUT}$ ) for the specified charge current ripple:

$$\Delta I_L = I_{CHARGE} \times I_{CHARGE}^{Ripple}$$

$$L_{OUT} = \frac{V_{BAT} \times (V_{INMAX} - V_{BAT})}{V_{INMAX} \times f \times \Delta I_L}$$

$$L_{OUT} = \frac{4.2 \times (16 - 4.2)}{16 \times (1.1 \times 10^6) \times (1.33 \times 0.3)}$$

$$L_{OUT} = 7.06 \mu H \tag{13}$$

Set the output inductor to standard 10  $\mu H$ . Calculate the total ripple current with using the 10  $\mu H$  inductor:

$$\Delta I_L = \frac{V_{BAT} \times (V_{INMAX} - V_{BAT})}{V_{INMAX} \times f \times L_{OUT}}$$

$$\Delta I_L = \frac{4.2 \times (16 - 4.2)}{16 \times (1.1 \times 10^6) \times (10 \times 10^{-6})}$$

$$\Delta I_L = 0.282 A \tag{14}$$

Calculate the maximum output current (peak current):

$$I_{LPK} = I_{OUT} + \frac{\Delta I_L}{2}$$

$$I_{LPK} = 1.33 + \frac{0.282}{2}$$

$$I_{LPK} = 1.471 A \tag{15}$$

Use standard 10  $\mu H$  inductor with a saturation current higher than 1.471A. (i.e., Sumida CDRH74-100)

2. Determine the output capacitor value ( $C_{OUT}$ ) using 16 kHz as the resonant frequency:

$$f_o = \frac{1}{2\pi\sqrt{L_{OUT} \times C_{OUT}}}$$

$$C_{OUT} = \frac{1}{4\pi^2 \times f_o^2 \times L_{OUT}}$$

$$C_{OUT} = \frac{1}{4\pi^2 \times (16 \times 10^3)^2 \times (10 \times 10^{-6})}$$

$$C_{OUT} = 9.89 \mu\text{F} \quad (16)$$

Use standard value 10  $\mu\text{F}$ , 25V, X5R,  $\pm 20\%$  ceramic capacitor (i.e., Panasonic 1206 ECJ-3YB1E106M)

3. Determine the sense resistor using the following equation:

$$R_{SNS} = \frac{V_{RSNS}}{I_{CHARGE}} \quad (17)$$

In order to get better current regulation accuracy ( $\pm 10\%$ ), let  $V_{RSNS}$  be between 100 mV and 200 mV. Use  $V_{RSNS} = 100$  mV and calculate the value for the sense resistor.

$$R_{SNS} = \frac{100 \text{ mV}}{1.33 \text{ A}}$$

$$R_{SNS} = 0.075 \Omega \quad (18)$$

This value is not standard in resistors. If this happens, then choose the next larger value which in this case is 0.1 $\Omega$ . Using the same equation (15) the actual  $V_{RSNS}$  will be 133mV. Calculate the power dissipation on the sense resistor:

$$P_{RSNS} = I_{CHARGE}^2 \times R_{SNS}$$

$$P_{RSNS} = 1.33^2 \times 0.1$$

$$P_{RSNS} = 176.9 \text{ mW} \quad (19)$$

Select standard value 100 m $\Omega$ , 0.25W 0805, 1206 or 2010 size, high precision sensing resistor. (i.e., Vishay CRCW1210-OR10F)

4. Determine ISET 1 resistor using the following equation:

$$R_{ISET1} = \frac{K_{ISET1} \times V_{ISET1}}{R_{SNS} \times I_{CHARGE}}$$

$$R_{ISET1} = \frac{1000 \times 1.0}{0.1 \times 1.33}$$

$$R_{ISET1} = 7.5 \text{ k}\Omega \quad (20)$$

Select standard value 7.5 k $\Omega$ , 1/16W  $\pm 1\%$  resistor (i.e., Vishay CRCWD0603-7501-F)

5. Determine ISET 2 resistor using the following equation:

$$R_{ISET2} = \frac{K_{ISET2} \times V_{ISET2}}{R_{SNS} \times I_{PRECHARGE}}$$

$$R_{ISET2} = \frac{1000 \times 0.1}{0.1 \times 0.133}$$

$$R_{ISET2} = 7.5 \text{ k}\Omega \quad (21)$$

Select standard value 7.5 k $\Omega$ , 1/16W  $\pm 1\%$  resistor (i.e., Vishay CRCWD0603-7501-F)



6. Determine TTC capacitor ( $C_{TTC}$ ) for the 5.0 hours safety timer using the following equation:

$$C_{TTC} = \frac{t_{CHARGE}}{K_{TTC}}$$

$$C_{TTC} = \frac{300 \text{ m}}{2.6 \text{ m/nF}}$$

$$C_{TTC} = 115.4 \text{ nF} \quad (22)$$

Select standard value 100 nF, 16V, X7R,  $\pm 10\%$  ceramic capacitor (i.e., Panasonic ECJ-1VB1C104K). Using this capacitor the actual safety timer will be 4.3 hours.

7. Determine TS resistor network for an operating temperature range from  $0^\circ\text{C}$  to  $45^\circ\text{C}$ .

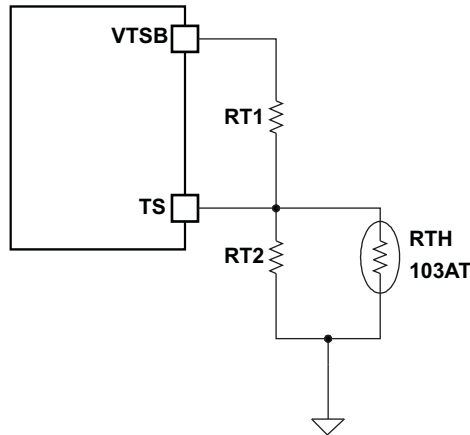


Figure 17. TS Resistor Network

Assuming a 103AT NTC Thermistor on the battery pack, determine the values for RT1 and RT2 using the following equations:

$$RT2 = \frac{V_{O(VTSB)} \times RTH_{COLD} \times RTH_{HOT} \times \left[ \frac{1}{V_{LTF}} - \frac{1}{V_{HTF}} \right]}{RTH_{HOT} \times \left( \frac{V_{O(VTSB)}}{V_{HTF}} - 1 \right) - RTH_{COLD} \times \left( \frac{V_{O(VTSB)}}{V_{LTF}} - 1 \right)}$$

$$RT1 = \frac{\frac{V_{O(VTSB)}}{V_{LTF}} - 1}{\frac{1}{RT2} + \frac{1}{RTH_{COLD}}}$$

Where:

$$V_{LTF} = V_{O(VTSB)} \times \%_{LTF+100} / 100$$

$$V_{HTF} = V_{O(VTSB)} \times \%_{HTF+100} / 100$$

(23)

$$RTH_{COLD} = 27.28 \text{ k}\Omega$$

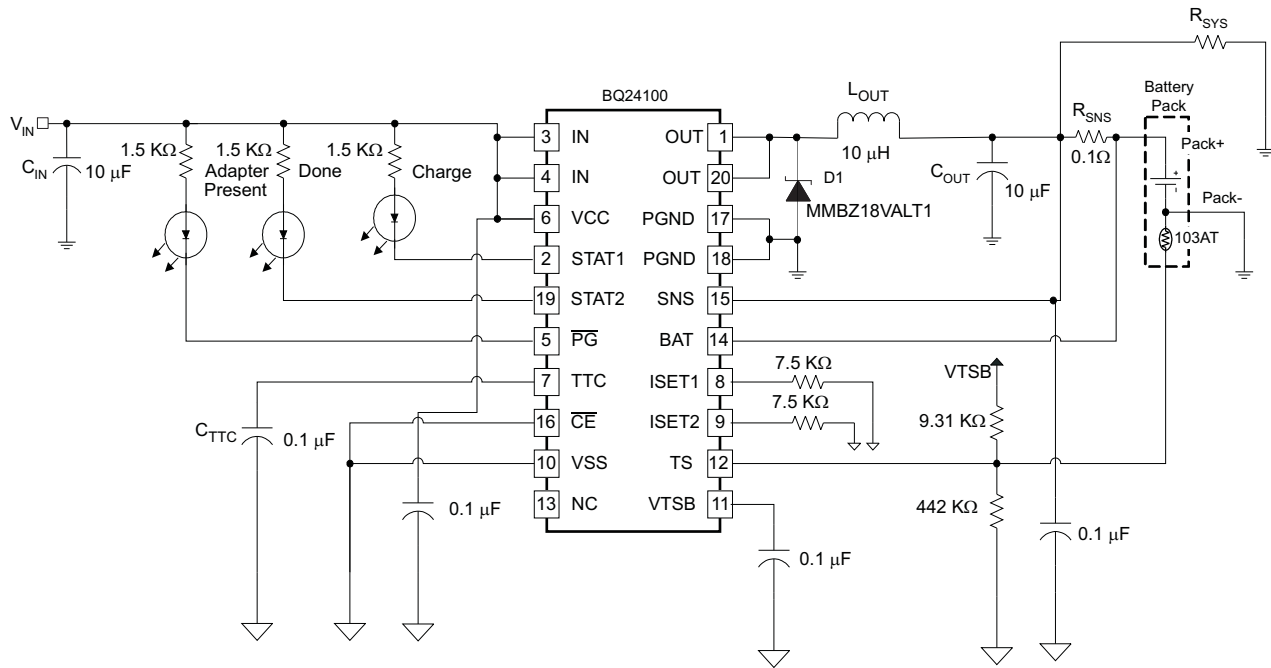
$$RTH_{HOT} = 4.912 \text{ k}\Omega$$

$$RT1 = 9.31 \text{ k}\Omega$$

$$RT2 = 442 \text{ k}\Omega \quad (24)$$

## APPLICATION INFORMATION

### Charging Battery and Powering System Without Affecting Battery Charge and Termination



**Figure 18. Application Circuit for Charging a Battery and Powering a System Without Affecting Termination**

The bqSWITCHER was designed as a stand-alone battery charger but can be easily adapted to power a system load, while considering a few minor issues.

#### Advantages:

1. The charger controller is based only on what current goes through the current-sense resistor (so precharge, constant current, and termination all work well), and is not affected by the system load.
2. The input voltage has been converted to a usable system voltage with good efficiency from the input.
3. Extra external FETs are not needed to switch power source to the battery.
4. The TTC pin can be grounded to disable termination and keep the converter running and the battery fully charged, or let the switcher terminate when the battery is full and then run off of the battery via the sense resistor.

#### Other Issues:

1. If the system load current is large ( $\geq 1$  A), the IR drop across the battery impedance causes the battery voltage to drop below the refresh threshold and start a new charge. The charger would then terminate due to low charge current. Therefore, the charger would cycle between charging and termination. If the load is smaller, the battery would have to discharge down to the refresh threshold resulting in a much slower cycling. Note that grounding the TTC pin keeps the converter on continuously.
2. If TTC is grounded, the battery is kept at 4.2 V (not much different than leaving a fully charged battery set unloaded).
3. Efficiency declines 2-3% hit when discharging through the sense resistor to the system.

## Using bq24105 to Charge the LiFePO<sub>4</sub> Battery

The LiFePO<sub>4</sub> battery has many unique features such as a high thermal runaway temperature, discharge current capability, and charge current. These special features make it attractive in many applications such as power tools. The recommended charge voltage is 3.6 V and termination current is 50 mA. Figure 19 shows an application circuit for charging one cell LiFePO<sub>4</sub> using bq24105. The charge voltage is 3.6 V and recharge voltage is 3.516 V. The fast charging current is set to 1.33 A while the termination current is 50 mA. This circuit can be easily changed to support two or three cell applications. However, only 84 mV difference between regulation set point and rechargeable threshold makes it frequently enter into recharge mode when small load current is applied. This can be solved by lower down the recharge voltage threshold to 200 mV to discharge more energy from the battery before it enters recharge mode again. See the application report, *Using the bq24105/25 to Charge LiFePO<sub>4</sub> Battery (SLUA443)*, for additional details. The recharge threshold should be selected according to real application conditions.

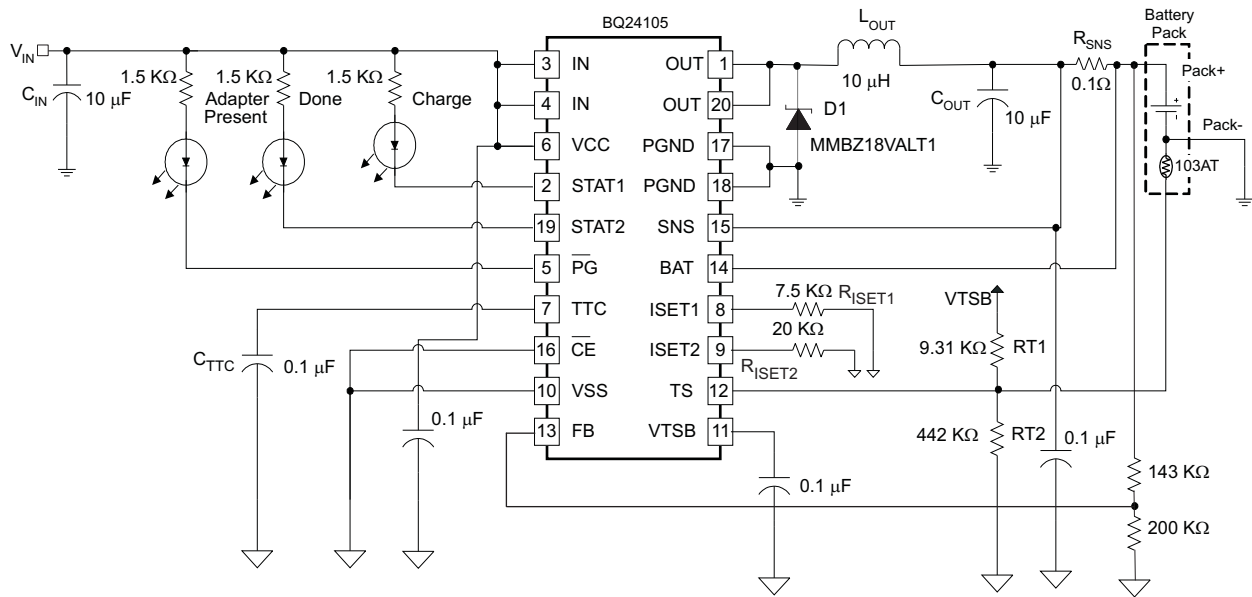


Figure 19. 1-Cell LiFePO<sub>4</sub> Application

## THERMAL CONSIDERATIONS

The SWITCHER is packaged in a thermally enhanced MLP package. The package includes a thermal pad to provide an effective thermal contact between the IC and the printed circuit board (PCB). Full PCB design guidelines for this package are provided in the application report entitled: *QFN/SOP PCB Attachment (SLUA271)*.

The most common measure of package thermal performance is thermal impedance ( $\theta_{JA}$ ) measured (or modeled) from the chip junction to the air surrounding the package surface (ambient). The mathematical expression for  $\theta_{JA}$  is:

$$\theta_{(JA)} = \frac{T_J - T_A}{P} \quad (25)$$

Where:

$T_J$  = chip junction temperature

$T_A$  = ambient temperature

$P$  = device power dissipation

Factors that can greatly influence the measurement and calculation of  $\theta_{JA}$  include:

- Whether or not the device is board mounted
- Trace size, composition, thickness, and geometry
- Orientation of the device (horizontal or vertical)
- Volume of the ambient air surrounding the device under test and airflow
- Whether other surfaces are in close proximity to the device being tested

The device power dissipation,  $P$ , is a function of the charge rate and the voltage drop across the internal power FET. It can be calculated from the following equation:

$$P = [V_{in} \times I_{in} - V_{bat} \times I_{bat}]$$

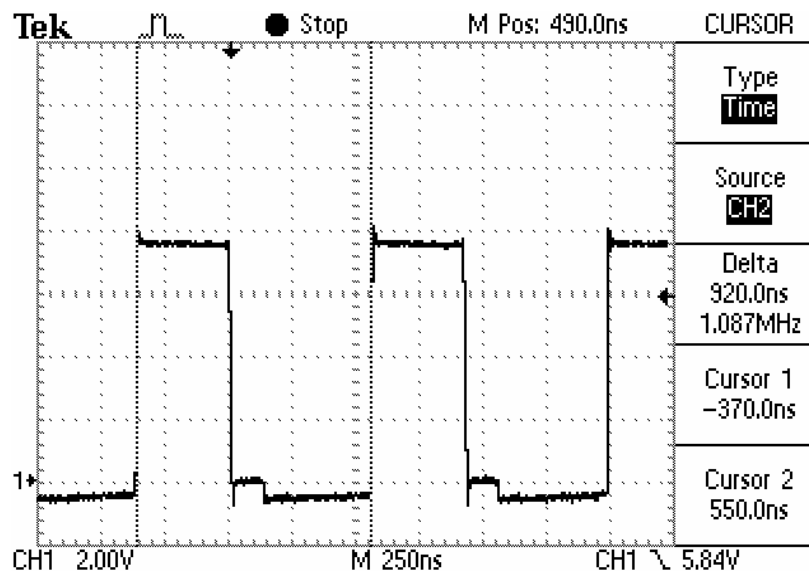
Due to the charge profile of Li-xx batteries, the maximum power dissipation is typically seen at the beginning of the charge cycle when the battery voltage is at its lowest. (See [Figure 9](#).)

## PCB LAYOUT CONSIDERATION

It is important to pay special attention to the PCB layout. The following provides some guidelines:

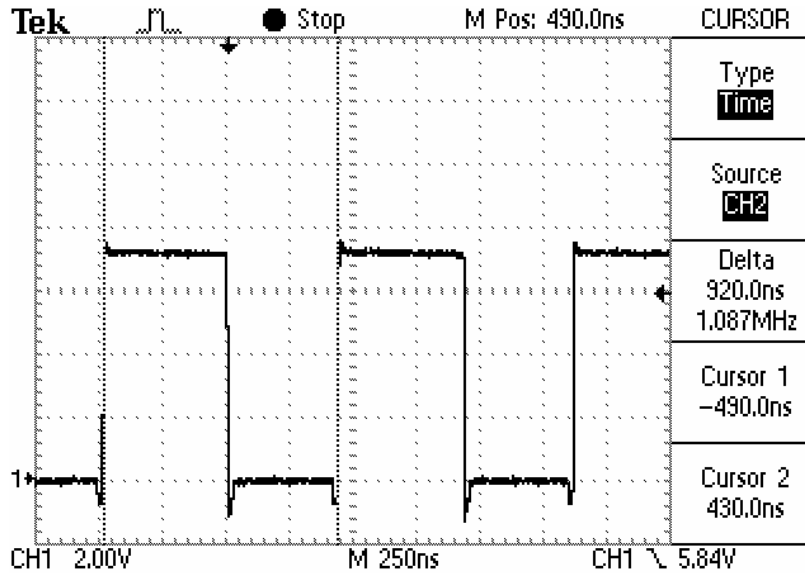
- To obtain optimal performance, the power input capacitors, connected from input to PGND, should be placed as close as possible to the bqSWITCHER. The output inductor should be placed directly above the IC and the output capacitor connected between the inductor and PGND of the IC. The intent is to minimize the current path loop area from the OUT pin through the LC filter and back to the GND pin. The sense resistor should be adjacent to the junction of the inductor and output capacitor. Route the sense leads connected across the  $R_{(SNS)}$  back to the IC, close to each other (minimize loop area) or on top of each other on adjacent layers (do not route the sense leads through a high-current path). Use an optional capacitor downstream from the sense resistor if long (inductive) battery leads are used.
- Place all small-signal components ( $C_{TTC}$ , RSET1/2 and TS) close to their respective IC pin (do not place components such that routing interrupts power stage currents). All small *control* signals should be routed away from the high current paths.
- The PCB should have a ground plane (return) connected directly to the return of all components through vias (3 vias per capacitor for power-stage capacitors, 3 vias for the IC PGND, 1 via per capacitor for small-signal components). A *star* ground design approach is typically used to keep circuit block currents isolated (high-power/low-power small-signal) which reduces noise-coupling and ground-bounce issues. A single ground plane for this design gives good results. With this small layout and a single ground plane, there is not a ground-bounce issue, and having the components segregated minimizes coupling between signals.
- The high-current charge paths into IN and from the OUT pins must be sized appropriately for the maximum charge current in order to avoid voltage drops in these traces. The PGND pins should be connected to the ground plane to return current through the internal low-side FET. The *thermal* vias in the IC PowerPAD™ provide the return-path connection.
- The bqSWITCHER is packaged in a thermally enhanced MLP package. The package includes a thermal pad to provide an effective thermal contact between the IC and the PCB. Full PCB design guidelines for this package are provided in the application report entitled: *QFN/SON PCB Attachment (SLUA271)*. Six 10-13 mil vias are a minimum number of recommended vias, placed in the IC's power pad, connecting it to a ground *thermal* plane on the opposite side of the PWB. This plane must be at the same potential as  $V_{SS}$  and PGND of this IC.
- See user guide [SLUU200](#) for an example of good layout.

WAVEFORMS: All waveforms are taken at Lout (IC Out pin).  $V_{IN} = 7.6\text{ V}$  and the battery was set to 2.6 V, 3.5 V, and 4.2 V for the three waveforms. When the top switch of the converter is *on*, the waveform is at  $\sim 7.5\text{ V}$ , and when *off*, the waveform is near ground. Note that the ringing on the switching edges is small. This is due to a *tight* layout (minimized loop areas), a shielded inductor (closed core), and using a low-inductive scope ground lead (i.e., short with minimum loop).

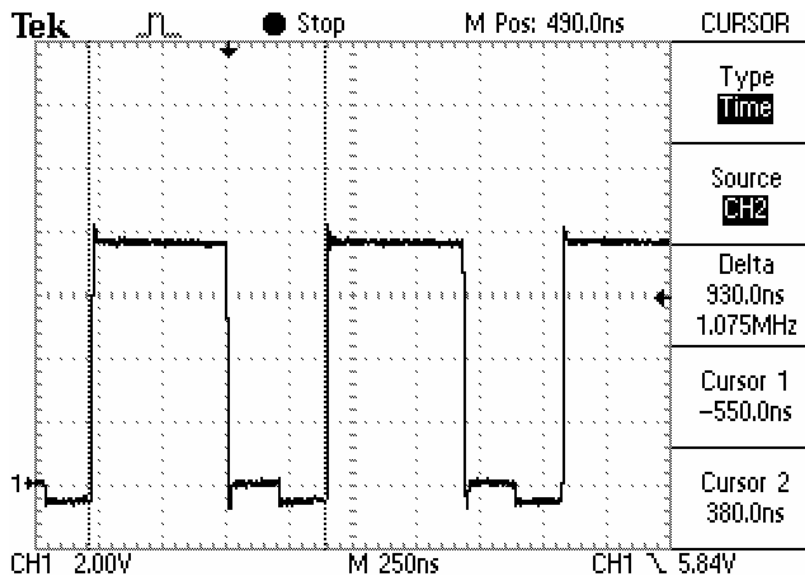


查询 BQ24100RPLET 供应商

Precharge: The current is low in precharge; so, the bottom synchronous FET turns off after its minimum on-time which explains the step between  $\approx 0$  V and -0.5 V. When the bottom FET and top FET are off, the current conducts through the body diode of the bottom FET which results in a diode drop below the ground potential. The initial negative spike is the delay turning on the bottom FET, which is to prevent shoot-through current as the top FET is turning off.



Fast Charge: This is captured during the constant-current phase. The two negative spikes are the result of the short delay when switching between the top and bottom FETs. The break-before-make action prevents current shoot-through and results in a body diode drop below ground potential during the *break* time.



Charge during Voltage Regulation and Approaching Termination: Note that this waveform is similar to the precharge waveform. The difference is that the battery voltage is higher so the duty cycle is slightly higher. The bottom FET stays on longer because there is more of a current load than during precharge; it takes longer for the inductor current to ramp down to the current threshold where the synchronous FET is disabled.

**PACKAGING INFORMATION**

Orderable Device	Status <sup>(1)</sup>	Package Type	Package Drawing	Pins	Package Qty	Eco Plan <sup>(2)</sup>	Lead/Ball Finish	MSL Peak Temp <sup>(3)</sup>
BQ24100RHL	PREVIEW	QFN	RHL	20	50	TBD	Call TI	Call TI
BQ24100RHLR	ACTIVE	QFN	RHL	20	3000	Green (RoHS & no Sb/Br)	CU NIPDAU	Level-2-260C-1 YEAR
BQ24103ARHLR	ACTIVE	QFN	RHL	20	3000	Green (RoHS & no Sb/Br)	CU NIPDAU	Level-2-260C-1 YEAR
BQ24103ARHLRG4	ACTIVE	QFN	RHL	20	3000	Green (RoHS & no Sb/Br)	CU NIPDAU	Level-2-260C-1 YEAR
BQ24103ARHLT	ACTIVE	QFN	RHL	20	250	Green (RoHS & no Sb/Br)	CU NIPDAU	Level-2-260C-1 YEAR
BQ24103ARHLTG4	ACTIVE	QFN	RHL	20	250	Green (RoHS & no Sb/Br)	CU NIPDAU	Level-2-260C-1 YEAR
BQ24103RHLR	ACTIVE	QFN	RHL	20	3000	Green (RoHS & no Sb/Br)	CU NIPDAU	Level-2-260C-1 YEAR
BQ24104RHLR	ACTIVE	QFN	RHL	20	3000	Green (RoHS & no Sb/Br)	CU NIPDAU	Level-2-260C-1 YEAR
BQ24104RHLT	ACTIVE	QFN	RHL	20	250	Green (RoHS & no Sb/Br)	CU NIPDAU	Level-2-260C-1 YEAR
BQ24105RHLR	ACTIVE	QFN	RHL	20	3000	Green (RoHS & no Sb/Br)	CU NIPDAU	Level-2-260C-1 YEAR
BQ24105RHLRG4	ACTIVE	QFN	RHL	20	3000	Green (RoHS & no Sb/Br)	CU NIPDAU	Level-2-260C-1 YEAR
BQ24108RHLR	ACTIVE	QFN	RHL	20	3000	Green (RoHS & no Sb/Br)	CU NIPDAU	Level-2-260C-1 YEAR
BQ24108RHLRG4	ACTIVE	QFN	RHL	20	3000	Green (RoHS & no Sb/Br)	CU NIPDAU	Level-2-260C-1 YEAR
BQ24109RHLR	ACTIVE	QFN	RHL	20	3000	Green (RoHS & no Sb/Br)	CU NIPDAU	Level-2-260C-1 YEAR
BQ24109RHLRG4	ACTIVE	QFN	RHL	20	3000	Green (RoHS & no Sb/Br)	CU NIPDAU	Level-2-260C-1 YEAR
BQ24109RHLT	ACTIVE	QFN	RHL	20	250	Green (RoHS & no Sb/Br)	CU NIPDAU	Level-2-260C-1 YEAR
BQ24109RHLTG4	ACTIVE	QFN	RHL	20	250	Green (RoHS & no Sb/Br)	CU NIPDAU	Level-2-260C-1 YEAR
BQ24113ARHLR	ACTIVE	QFN	RHL	20	3000	Green (RoHS & no Sb/Br)	CU NIPDAU	Level-2-260C-1 YEAR
BQ24113ARHLRG4	ACTIVE	QFN	RHL	20	3000	Green (RoHS & no Sb/Br)	CU NIPDAU	Level-2-260C-1 YEAR
BQ24113ARHLT	ACTIVE	QFN	RHL	20	250	Green (RoHS & no Sb/Br)	CU NIPDAU	Level-2-260C-1 YEAR
BQ24113ARHLTG4	ACTIVE	QFN	RHL	20	250	Green (RoHS & no Sb/Br)	CU NIPDAU	Level-2-260C-1 YEAR
BQ24113RHLR	ACTIVE	QFN	RHL	20	3000	Green (RoHS & no Sb/Br)	CU NIPDAU	Level-2-260C-1 YEAR
BQ24113RHLRG4	ACTIVE	QFN	RHL	20	3000	Green (RoHS & no Sb/Br)	CU NIPDAU	Level-2-260C-1 YEAR
BQ24115RHLR	ACTIVE	QFN	RHL	20	3000	Green (RoHS & no Sb/Br)	CU NIPDAU	Level-2-260C-1 YEAR
BQ24115RHLRG4	ACTIVE	QFN	RHL	20	3000	Green (RoHS & no Sb/Br)	CU NIPDAU	Level-2-260C-1 YEAR

(1) The marketing status values are defined as follows:

**ACTIVE:** Product device recommended for new designs.

**LIFEBUY:** TI has announced that the device will be discontinued, and a lifetime-buy period is in effect.

**NRND:** Not recommended for new designs. Device is in production to support existing customers, but TI does not recommend using this part in a new design.

**PREVIEW:** Device has been announced but is not in production. Samples may or may not be available.

**OBSOLETE:** TI has discontinued the production of the device.

(2) Eco Plan - The planned eco-friendly classification: Pb-Free (RoHS), Pb-Free (RoHS Exempt), or Green (RoHS & no Sb/Br) - please check <http://www.ti.com/productcontent> for the latest availability information and additional product content details.

**TBD:** The Pb-Free/Green conversion plan has not been defined.

**Pb-Free (RoHS):** TI's terms "Lead-Free" or "Pb-Free" mean semiconductor products that are compatible with the current RoHS requirements for all 6 substances, including the requirement that lead not exceed 0.1% by weight in homogeneous materials. Where designed to be soldered at high temperatures, TI Pb-Free products are suitable for use in specified lead-free processes.

**Pb-Free (RoHS Exempt):** This component has a RoHS exemption for either 1) lead-based flip-chip solder bumps used between the die and package, or 2) lead-based die adhesive used between the die and leadframe. The component is otherwise considered Pb-Free (RoHS compatible) as defined above.

**Green (RoHS & no Sb/Br):** TI defines "Green" to mean Pb-Free (RoHS compatible), and free of Bromine (Br) and Antimony (Sb) based flame retardants (Br or Sb do not exceed 0.1% by weight in homogeneous material)

(3) MSL, Peak Temp. -- The Moisture Sensitivity Level rating according to the JEDEC industry standard classifications, and peak solder temperature.

**Important Information and Disclaimer:**The information provided on this page represents TI's knowledge and belief as of the date that it is provided. TI bases its knowledge and belief on information provided by third parties, and makes no representation or warranty as to the accuracy of such information. Efforts are underway to better integrate information from third parties. TI has taken and continues to take reasonable steps to provide representative and accurate information but may not have conducted destructive testing or chemical analysis on incoming materials and chemicals. TI and TI suppliers consider certain information to be proprietary, and thus CAS numbers and other limited information may not be available for release.

In no event shall TI's liability arising out of such information exceed the total purchase price of the TI part(s) at issue in this document sold by TI to Customer on an annual basis.



TAPE AND REEL INFORMATION



QUADRANT ASSIGNMENTS FOR PIN 1 ORIENTATION IN TAPE



\*All dimensions are nominal

Device	Package Type	Package Drawing	Pins	SPQ	Reel Diameter (mm)	Reel Width W1 (mm)	A0 (mm)	B0 (mm)	K0 (mm)	P1 (mm)	W (mm)	Pin1 Quadrant
BQ24100RHLR	QFN	RHL	20	3000	330.0	12.4	3.8	4.8	1.6	8.0	12.0	Q1
BQ24103ARHLR	QFN	RHL	20	3000	330.0	12.4	3.8	4.8	1.6	8.0	12.0	Q1
BQ24103ARHLT	QFN	RHL	20	250	180.0	12.4	3.8	4.8	1.6	8.0	12.0	Q1
BQ24103RHLR	QFN	RHL	20	3000	330.0	12.4	3.8	4.8	1.6	8.0	12.0	Q1
BQ24104RHLR	QFN	RHL	20	3000	330.0	12.4	3.8	4.8	1.6	8.0	12.0	Q1
BQ24104RHLT	QFN	RHL	20	250	180.0	12.4	3.8	4.8	1.6	8.0	12.0	Q1
BQ24105RHLR	QFN	RHL	20	3000	330.0	12.4	3.8	4.8	1.6	8.0	12.0	Q1
BQ24108RHLR	QFN	RHL	20	3000	330.0	12.4	3.8	4.8	1.6	8.0	12.0	Q1
BQ24109RHLR	QFN	RHL	20	3000	330.0	12.4	3.8	4.8	1.6	8.0	12.0	Q1
BQ24109RHLT	QFN	RHL	20	250	180.0	12.4	3.8	4.8	1.6	8.0	12.0	Q1
BQ24113ARHLR	QFN	RHL	20	3000	330.0	12.4	3.8	4.8	1.6	8.0	12.0	Q1
BQ24113ARHLT	QFN	RHL	20	250	180.0	12.4	3.8	4.8	1.6	8.0	12.0	Q1
BQ24113RHLR	QFN	RHL	20	3000	330.0	12.4	3.8	4.8	1.6	8.0	12.0	Q1
BQ24115RHLR	QFN	RHL	20	3000	330.0	12.4	3.8	4.8	1.6	8.0	12.0	Q1

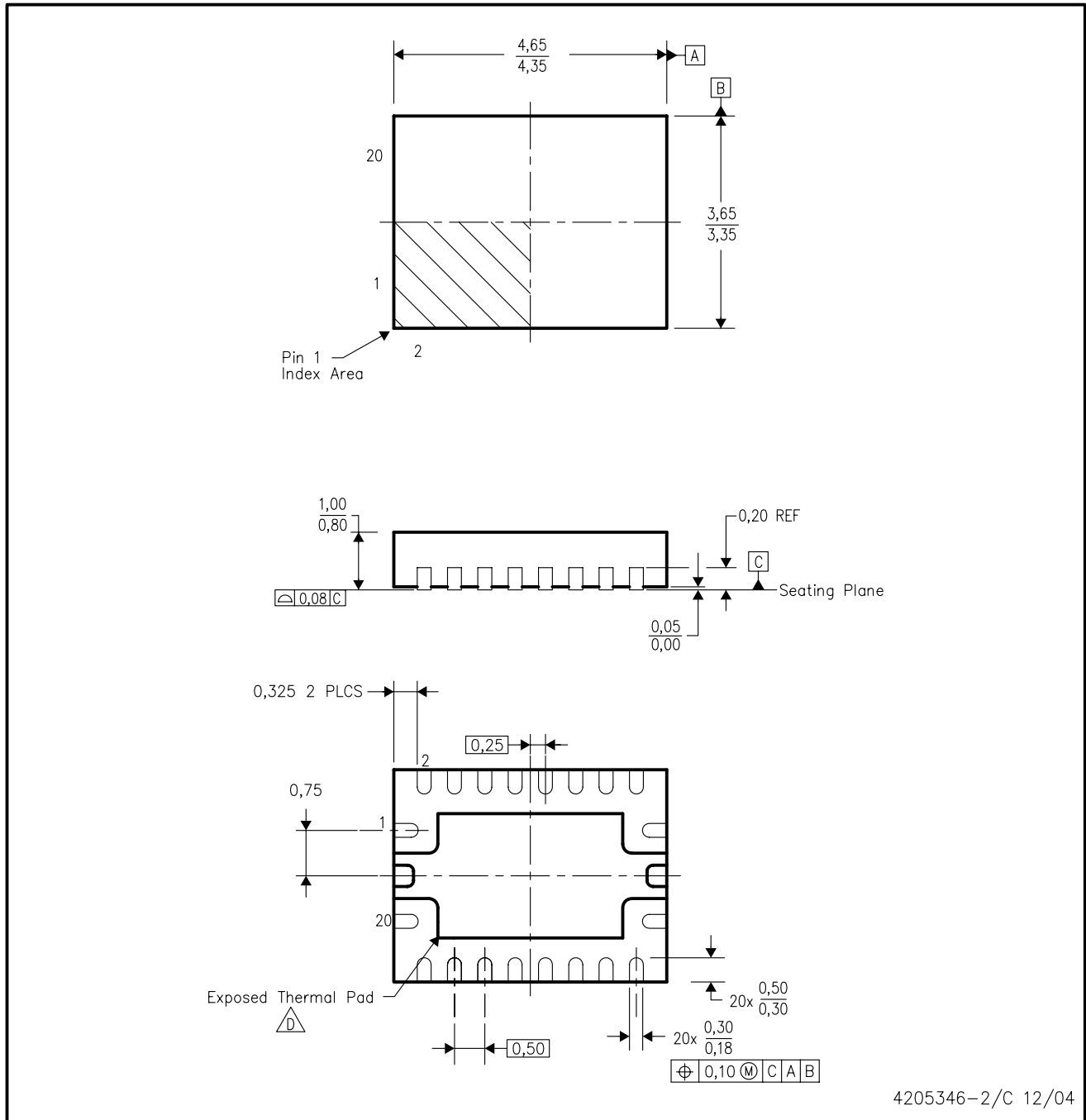
**TAPE AND REEL BOX DIMENSIONS**


\*All dimensions are nominal

Device	Package Type	Package Drawing	Pins	SPQ	Length (mm)	Width (mm)	Height (mm)
BQ24100RHLR	QFN	RHL	20	3000	346.0	346.0	29.0
BQ24103ARHLR	QFN	RHL	20	3000	346.0	346.0	29.0
BQ24103ARHLT	QFN	RHL	20	250	190.5	212.7	31.8
BQ24103RHLR	QFN	RHL	20	3000	346.0	346.0	29.0
BQ24104RHLR	QFN	RHL	20	3000	346.0	346.0	29.0
BQ24104RHLT	QFN	RHL	20	250	190.5	212.7	31.8
BQ24105RHLR	QFN	RHL	20	3000	346.0	346.0	29.0
BQ24108RHLR	QFN	RHL	20	3000	346.0	346.0	29.0
BQ24109RHLR	QFN	RHL	20	3000	346.0	346.0	29.0
BQ24109RHLT	QFN	RHL	20	250	190.5	212.7	31.8
BQ24113ARHLR	QFN	RHL	20	3000	346.0	346.0	29.0
BQ24113ARHLT	QFN	RHL	20	250	190.5	212.7	31.8
BQ24113RHLR	QFN	RHL	20	3000	346.0	346.0	29.0
BQ24115RHLR	QFN	RHL	20	3000	346.0	346.0	29.0

RHL (R-PQFP-N20)

PLASTIC QUAD FLATPACK



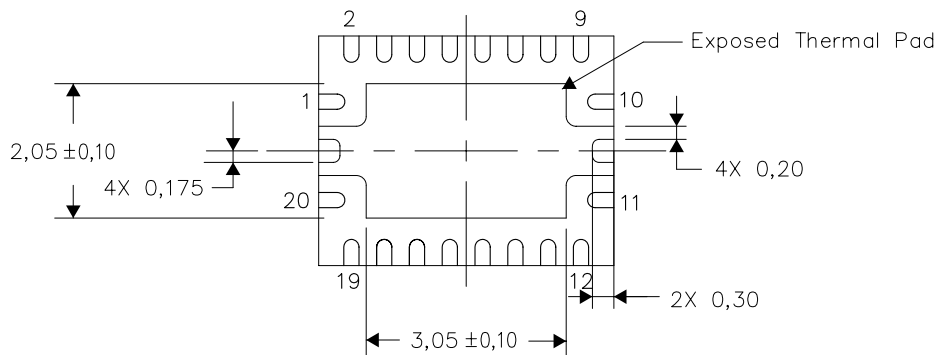
- NOTES: A. All linear dimensions are in millimeters. Dimensioning and tolerancing per ASME Y14.5M-1994.  
 B. This drawing is subject to change without notice.  
 C. QFN (Quad Flatpack No-Lead) Package configuration.  
 D. The package thermal pad must be soldered to the board for thermal and mechanical performance. See the Product Data Sheet for details regarding the exposed thermal pad dimensions.

THERMAL INFORMATION

This package incorporates an exposed thermal pad that is designed to be attached directly to an external heatsink. The thermal pad must be soldered directly to the printed circuit board (PCB). After soldering, the PCB can be used as a heatsink. In addition, through the use of thermal vias, the thermal pad can be attached directly to the appropriate copper plane shown in the electrical schematic for the device, or alternatively, can be attached to a special heatsink structure designed into the PCB. This design optimizes the heat transfer from the integrated circuit (IC).

For information on the Quad Flatpack No-Lead (QFN) package and its advantages, refer to Application Report, QFN/SON PCB Attachment, Texas Instruments Literature No. SLUA271. This document is available at [www.ti.com](http://www.ti.com).

The exposed thermal pad dimensions for this package are shown in the following illustration.



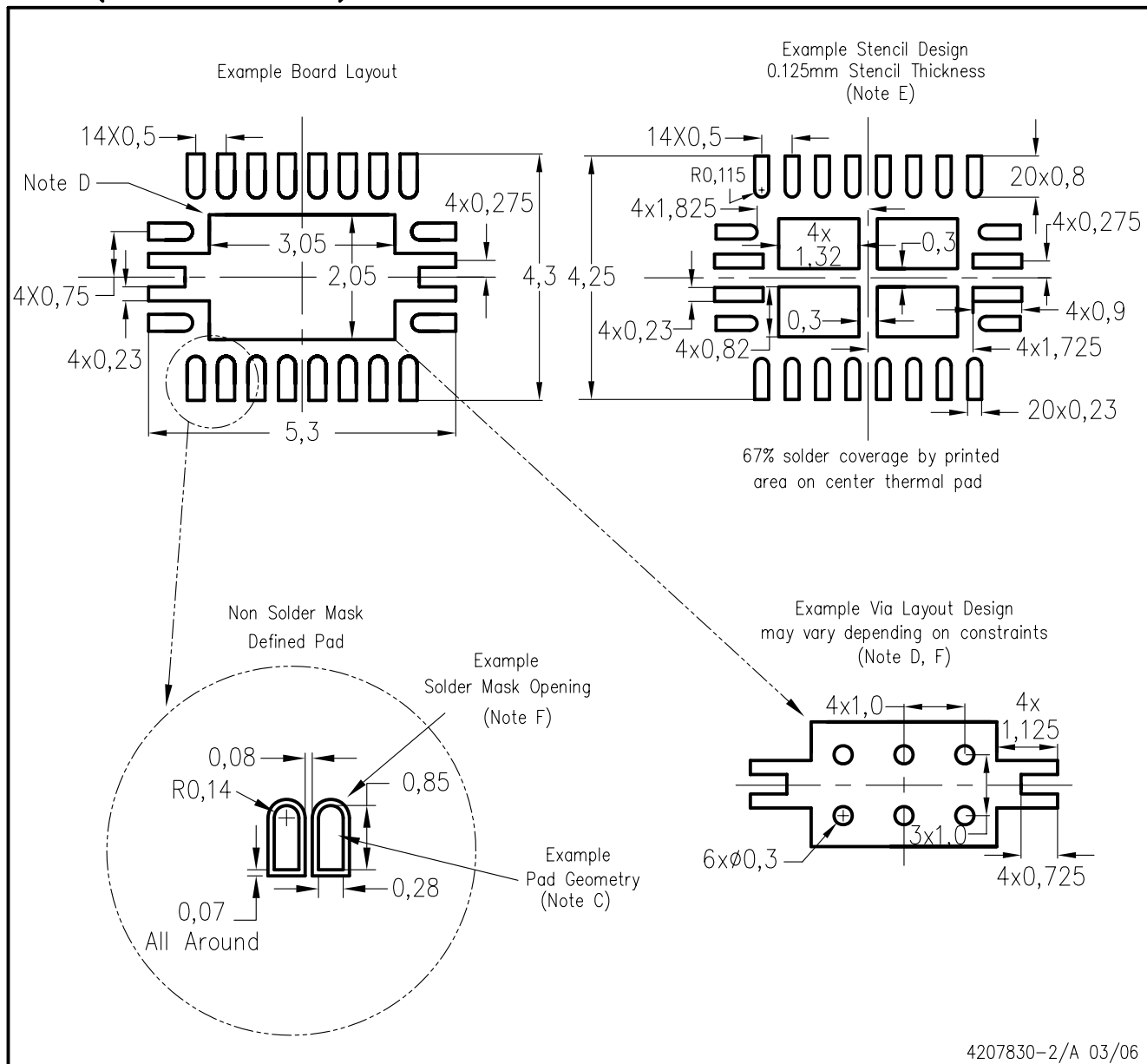
Bottom View

NOTE: All linear dimensions are in millimeters

Exposed Thermal Pad Dimensions

[查询"BQ24109RHLT"供应商](#)

# RHL (R-PQFP-N20)



- NOTES:
- All linear dimensions are in millimeters.
  - This drawing is subject to change without notice.
  - Publication IPC-7351 is recommended for alternate designs.
  - This package is designed to be soldered to a thermal pad on the board. Refer to Application Note, Quad Flat-Pack Packages, Texas Instruments Literature No. SCBA017, SLUA271, and also the Product Data Sheets for specific thermal information, via requirements, and recommended board layout. These documents are available at [www.ti.com](http://www.ti.com) <<http://www.ti.com>>.
  - Laser cutting apertures with trapezoidal walls and also rounding corners will offer better paste release. Customers should contact their board assembly site for stencil design recommendations. Refer to IPC 7525 for stencil design considerations.
  - Customers should contact their board fabrication site for minimum solder mask web tolerances between signal pads.

## IMPORTANT NOTICE

Texas Instruments Incorporated and its subsidiaries (TI) reserve the right to make corrections, modifications, enhancements, improvements, and other changes to its products and services at any time and to discontinue any product or service without notice. Customers should obtain the latest relevant information before placing orders and should verify that such information is current and complete. All products are sold subject to TI's terms and conditions of sale supplied at the time of order acknowledgment.

TI warrants performance of its hardware products to the specifications applicable at the time of sale in accordance with TI's standard warranty. Testing and other quality control techniques are used to the extent TI deems necessary to support this warranty. Except where mandated by government requirements, testing of all parameters of each product is not necessarily performed.

TI assumes no liability for applications assistance or customer product design. Customers are responsible for their products and applications using TI components. To minimize the risks associated with customer products and applications, customers should provide adequate design and operating safeguards.

TI does not warrant or represent that any license, either express or implied, is granted under any TI patent right, copyright, mask work right, or other TI intellectual property right relating to any combination, machine, or process in which TI products or services are used. Information published by TI regarding third-party products or services does not constitute a license from TI to use such products or services or a warranty or endorsement thereof. Use of such information may require a license from a third party under the patents or other intellectual property of the third party, or a license from TI under the patents or other intellectual property of TI.

Reproduction of TI information in TI data books or data sheets is permissible only if reproduction is without alteration and is accompanied by all associated warranties, conditions, limitations, and notices. Reproduction of this information with alteration is an unfair and deceptive business practice. TI is not responsible or liable for such altered documentation. Information of third parties may be subject to additional restrictions.

Resale of TI products or services with statements different from or beyond the parameters stated by TI for that product or service voids all express and any implied warranties for the associated TI product or service and is an unfair and deceptive business practice. TI is not responsible or liable for any such statements.

TI products are not authorized for use in safety-critical applications (such as life support) where a failure of the TI product would reasonably be expected to cause severe personal injury or death, unless officers of the parties have executed an agreement specifically governing such use. Buyers represent that they have all necessary expertise in the safety and regulatory ramifications of their applications, and acknowledge and agree that they are solely responsible for all legal, regulatory and safety-related requirements concerning their products and any use of TI products in such safety-critical applications, notwithstanding any applications-related information or support that may be provided by TI. Further, Buyers must fully indemnify TI and its representatives against any damages arising out of the use of TI products in such safety-critical applications.

TI products are neither designed nor intended for use in military/aerospace applications or environments unless the TI products are specifically designated by TI as military-grade or "enhanced plastic." Only products designated by TI as military-grade meet military specifications. Buyers acknowledge and agree that any such use of TI products which TI has not designated as military-grade is solely at the Buyer's risk, and that they are solely responsible for compliance with all legal and regulatory requirements in connection with such use.

TI products are neither designed nor intended for use in automotive applications or environments unless the specific TI products are designated by TI as compliant with ISO/TS 16949 requirements. Buyers acknowledge and agree that, if they use any non-designated products in automotive applications, TI will not be responsible for any failure to meet such requirements.

Following are URLs where you can obtain information on other Texas Instruments products and application solutions:

### Products

Amplifiers	<a href="http://amplifier.ti.com">amplifier.ti.com</a>
Data Converters	<a href="http://dataconverter.ti.com">dataconverter.ti.com</a>
DSP	<a href="http://dsp.ti.com">dsp.ti.com</a>
Clocks and Timers	<a href="http://www.ti.com/clocks">www.ti.com/clocks</a>
Interface	<a href="http://interface.ti.com">interface.ti.com</a>
Logic	<a href="http://logic.ti.com">logic.ti.com</a>
Power Mgmt	<a href="http://power.ti.com">power.ti.com</a>
Microcontrollers	<a href="http://microcontroller.ti.com">microcontroller.ti.com</a>
RFID	<a href="http://www.ti-rfid.com">www.ti-rfid.com</a>
RF/IF and ZigBee® Solutions	<a href="http://www.ti.com/lprf">www.ti.com/lprf</a>

### Applications

Audio	<a href="http://www.ti.com/audio">www.ti.com/audio</a>
Automotive	<a href="http://www.ti.com/automotive">www.ti.com/automotive</a>
Broadband	<a href="http://www.ti.com/broadband">www.ti.com/broadband</a>
Digital Control	<a href="http://www.ti.com/digitalcontrol">www.ti.com/digitalcontrol</a>
Medical	<a href="http://www.ti.com/medical">www.ti.com/medical</a>
Military	<a href="http://www.ti.com/military">www.ti.com/military</a>
Optical Networking	<a href="http://www.ti.com/opticalnetwork">www.ti.com/opticalnetwork</a>
Security	<a href="http://www.ti.com/security">www.ti.com/security</a>
Telephony	<a href="http://www.ti.com/telephony">www.ti.com/telephony</a>
Video & Imaging	<a href="http://www.ti.com/video">www.ti.com/video</a>
Wireless	<a href="http://www.ti.com/wireless">www.ti.com/wireless</a>