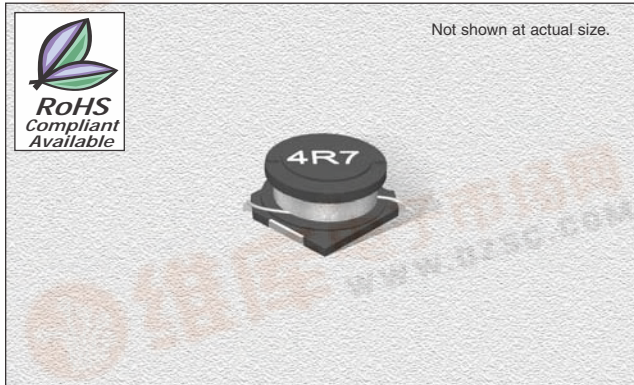


查询"CT646FY-101M"供应商

## CT646FY Series

From 1.0  $\mu\text{H}$  to 1000  $\mu\text{H}$



### CHARACTERISTICS

**Description:** SMD power inductor

**Applications:** Ideal for a variety of DC/DC converter applications and low profile use

**Operating Temperature:** -30°C to +100°C

**Inductance Tolerance:**  $\pm 10\%$ ,  $\pm 20\%$

**Testing:** Inductance is tested on an HP4285A at 100 kHz

**Packaging:** Tape & Reel

**Marking:** Parts are marked with inductance code

**Miscellaneous:** RoHS Compliant available.

**Additional Information:** Additional electrical & physical information available upon request

**Samples available. See website for ordering information.**

### SPECIFICATIONS

Part numbers are marked to indicate tolerance available.

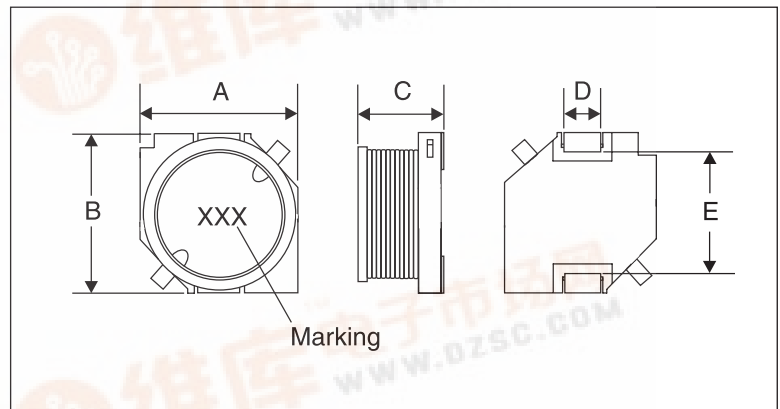
K =  $\pm 10\%$ , M =  $\pm 20\%$

CTC646FYE Please specify "F" for RoHS Compliant

Part Number	Inductance ( $\mu\text{H}$ )	L Test Freq. (kHz)	DCR Max. ( $\Omega$ )	Rated DC (A)
CT646FY_1R0M	1.0	100	0.023	2.880
CT646FY_1R5M	1.5	100	0.028	2.560
CT646FY_2R2M	2.2	100	0.032	2.360
CT646FY_2R7M	2.7	100	0.035	2.360
CT646FY_3R3M	3.3	100	0.038	2.160
CT646FY_3R9M	3.9	100	0.042	2.160
CT646FY_4R7M	4.7	100	0.049	1.880
CT646FY_5R6M	5.6	100	0.055	1.880
CT646FY_6R8M	6.8	100	0.055	1.880
CT646FY_8R2M	8.2	100	0.067	1.680
CT646FY_100M	10	100	0.070	1.560
CT646FY_120M	12	100	0.080	1.440
CT646FY_150M	15	100	0.090	1.360
CT646FY_180M	18	100	0.100	1.280
CT646FY_220M	22	100	0.120	1.170
CT646FY_270M	27	100	0.140	1.070
CT646FY_330M	33	100	0.160	1.000
CT646FY_390M	39	100	0.190	0.910
CT646FY_470M	47	100	0.220	0.840
CT646FY_560M	56	100	0.290	0.720
CT646FY_680M	68	100	0.340	0.660
CT646FY_820M	82	100	0.460	0.580
CT646FY_101M	100	100	0.550	0.510
CT646FY_121K	120	100	0.670	0.420
CT646FY_151K	150	100	0.900	0.370
CT646FY_181K	180	100	1.050	0.350
CT646FY_221K	220	100	1.350	0.290
CT646FY_271K	270	100	1.550	0.280
CT646FY_331K	330	100	2.050	0.230
CT646FY_391K	390	100	2.300	0.215
CT646FY_471K	470	100	2.600	0.195
CT646FY_561M	560	100	2.900	0.185
CT646FY_681M	680	100	3.400	0.170
CT646FY_821M	820	100	4.200	0.165
CT646FY_102M	1000	100	5.390	0.150

### PHYSICAL DIMENSIONS

Size	A Max.	B Max.	C Max.	D	E Max.
mm	7.4	7.4	5.5	2.0 $\pm$ 0.2	5.4
inches	0.29	0.29	0.22	0.08 $\pm$ 0.008	0.21



01.14.05

Manufacturer of Inductors, Chokes, Coils, Beads, Transformers & Toroids

800-684-5322 Inside US 949-453-1811 Outside US

Copyright © 2005 by CT Magnetics, DBA Central Technologies. All rights reserved.

CT Magnetics reserves the right to make improvements or change specifications without notice

