

# SGM8651/2/4 SGM8653/5

# 50MHz, Rail-to-Rail Output CMOS Operational Amplifier

## PRODUCT DESCRIPTION

The SGM8651/2/3/4/5 are high precision, low noise, low distortion, rail-to-rail output CMOS voltage feedback operational amplifiers offering ease of use and low cost. They have a wide input common-mode voltage range and output voltage swing, running at single-supply voltage from 2.5 V to 5.5 V.

Despite being low cost, the SGM8651/2/3/4/5 provide excellent overall performance. They offer wide gain-bandwidth product to 50MHz and a typical low power of 2.3 mA/amplifier.

The SGM8651/2/3/4/5's low distortion and fast settling make them ideal for buffering high speed A/D or D/A converters. The SGM8653/5 has a power-down disable feature that reduces the supply current to 75µA/amplifier. These features make the SGM8653/5 ideal for portable and battery-powered applications where size and power are critical. All are specified over the extended -40°C to +125°C temperature range.

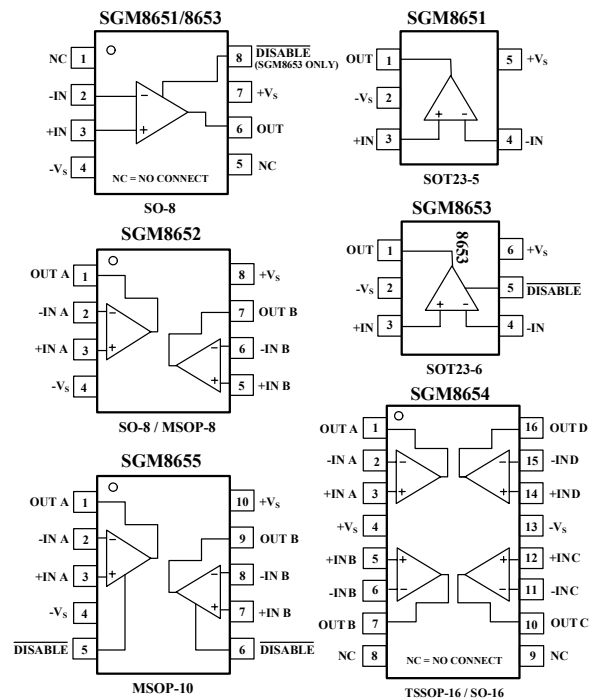
## FEATURES

- Low Cost
- Rail-to-Rail Output  
2mV Typical  $V_{OS}$
- Gain-Bandwidth Product: 50MHz
- High Slew Rate: 66V/µs
- Settling Time to 0.1% with 2V Step: 60 ns
- Overload Recovery Time: 25ns
- Low Noise : 8.7 nV/ $\sqrt{Hz}$
- Operates on 2.5 V to 5.5V Supplies
- Input Voltage Range = - 0.2 V to + 3.8 V with  $V_S = 5V$
- Low Power  
2.3 mA/Amplifier Typical Supply Current  
75µA/Amplifier when Disabled (SGM8653/5 only)
- Small Packaging  
SGM8651 Available in SOT23-5 and SO-8  
SGM8652 Available in MSOP-8 and SO-8  
SGM8653 Available in SOT23-6 and SO-8  
SGM8654 Available in TSSOP-16 and SO-16  
SGM8655 Available in MSOP-10

## APPLICATIONS

- Data Acquisition
- Process Control
- Audio Processing
- Video Processing
- Active Filters
- Test Equipment
- Cell Phone PA Control
- Broadband Communications
- A-to-D Driver
- D -to- A Driver

## PIN CONFIGURATIONS (Top View)



## ELECTRICAL CHARACTERISTICS : $V_S = +5V$

(At  $T_A = +25^\circ C$ ,  $R_L = 600\Omega$  connected to  $V_S/2$ , unless otherwise noted)

PARAMETER	CONDITION	SGM8651/2/3/4/5							
		TYP	MIN/MAX OVER TEMPERATURE					UNITS	MIN/MAX
		+25°C	+25°C	0°C to 70°C	-40°C to 85°C	-40°C to 125°C			
<b>DYNAMIC PERFORMANCE</b>									
Gain-Bandwidth Product (GBP)	$G = +10$	50						MHz	TYP
Slew Rate	$G = +1$ , 2V Output Step	66						V/ $\mu s$	TYP
Settling Time to 0.1%	$G = +1$ , 2 V Output Step	60						ns	TYP
Overload Recovery Time	$V_{IN} - G = +V_S$	25						ns	TYP
<b>NOISE/DISTORTION PERFORMANCE</b>									
Total Harmonic Distortion + Noise	$G = +1$ , $f = 1kHz$ , $V_O = 2V_{p-p}$ , $R_L = 600\Omega$							%	TYP
Input Voltage Noise ( $e_n$ )	$f = 100kHz$	16						$nV/\sqrt{Hz}$	TYP
	$f = 1MHz$	8.7						$nV/\sqrt{Hz}$	TYP
Input Current Noise ( $i_n$ )	$f = 10kHz$							$fA/\sqrt{Hz}$	TYP
<b>DC PERFORMANCE</b>									
Input Offset Voltage ( $V_{OS}$ )		$\pm 2$	$\pm 8$	$\pm 8.9$	$\pm 9.5$	$\pm 9.8$		mV	MAX
Input Offset Voltage Drift		4.5						$\mu V/^\circ C$	TYP
Input Bias Current ( $I_B$ )		6						pA	TYP
Input offset Current ( $I_{OS}$ )		2						pA	TYP
Open-Loop Gain ( $A_{OL}$ )	$V_O = 0.3 V$ to $4.7 V$ , $R_L = 150\Omega$	80	75	74	74	73		dB	MIN
	$V_O = 0.2 V$ to $4.8 V$ , $R_L = 1K\Omega$	104	92	91	91	80		dB	MIN
<b>INPUT CHARACTERISTICS</b>									
Input Common-Mode Voltage Range ( $V_{CM}$ )		-0.2 to +3.8						V	TYP
Common-Mode Rejection Ratio (CMRR)	$V_{CM} = -0.1 V$ to $+3.5 V$	80	66	65	65	62		dB	MIN
<b>OUTPUT CHARACTERISTICS</b>									
Output Voltage Swing from Rail	$R_L = 150\Omega$	0.12						V	TYP
	$R_L = 1K\Omega$	0.03						V	TYP
Output Current		127	100	96	89	82		mA	MIN
Closed-Loop Output Impedance	$f < 100kHz$ , $G = +1$	0.08						$\Omega$	TYP
<b>POWER-DOWN DISABLE</b> (SGM8653/5 only)									
Turn-On Time		220						ns	TYP
Turn-Off Time		150						ns	TYP
$\overline{DISABLE}$ Voltage-Off			0.8					V	MAX
$\overline{DISABLE}$ Voltage-On			2					V	MIN
<b>POWER SUPPLY</b>									
Operating Voltage Range			2.5	2.7	2.7	2.7		V	MIN
			5.5	5.5	5.5	5.5		V	MAX
Quiescent Current (per amplifier)		2.3	2.9	3.4	3.8	4		mA	MAX
Supply Current when Disabled per amplifier (SGM8653/5 only)		75	120	127	130	137		$\mu A$	MAX
Power Supply Rejection Ratio (PSRR)	$\Delta V_S = +2.7V$ to $+5.5V$ , $V_{CM} = (-V_S) + 0.5$	80	67	67	65	62		dB	MIN

Specifications subject to change without notice.

## PACKAGE/ORDERING INFORMATION

MODEL	CHANNEL	ORDER NUMBER	PACKAGE DESCRIPTION	PACKAGE OPTION	MARKING INFORMATION
SGM8651	Single	SGM8651XN5/TR	SOT23-5	Tape and Reel, 3000	8651
		SGM8651XS/TR	SO-8	Tape and Reel, 2500	SGM8651XS
SGM8652	Dual	SGM8652XMS/TR	MSOP-8	Tape and Reel, 3000	SGM8652XMS
		SGM8652XS/TR	SO-8	Tape and Reel, 2500	SGM8652XS
SGM8653	Single with shutdown	SGM8653XN6/TR	SOT23-6	Tape and Reel, 3000	8653
		SGM8653XS/TR	SO-8	Tape and Reel, 2500	SGM8653XS
SGM8654	Quad	SGM8654XS/TR	SO-16	Tape and Reel, 2500	SGM8654XS
		SGM8654XTS	TSSOP-16	Tape and Reel, 3000	SGM8654XTS
SGM8655	Dual with shutdown	SGM8655XMS/TR	MSOP-10	Tape and Reel, 3000	SGM8655XMS

### ABSOLUTE MAXIMUM RATINGS

Supply Voltage, V+ to V- ..... 7.5 V  
 Common-Mode Input Voltage  
 .....  $(-V_S) - 0.5 \text{ V to } (+V_S) + 0.5 \text{ V}$   
 Storage Temperature Range..... $-65^{\circ}\text{C to } +150^{\circ}\text{C}$   
 Junction Temperature ..... $160^{\circ}\text{C}$   
 Operating Temperature Range.....  $-55^{\circ}\text{C to } +150^{\circ}\text{C}$   
 Package Thermal Resistance @  $T_A = 25^{\circ}\text{C}$   
 SOT23-5,  $\theta_{JA}$ .....  $190^{\circ}\text{C/W}$   
 SOT23-6,  $\theta_{JA}$ .....  $190^{\circ}\text{C/W}$   
 SO-8,  $\theta_{JA}$ ..... $125^{\circ}\text{C/W}$   
 MSOP-8,  $\theta_{JA}$ .....  $216^{\circ}\text{C/W}$   
 MSOP-10,  $\theta_{JA}$ .....  $216^{\circ}\text{C/W}$   
 SO-16,  $\theta_{JA}$ .....  $82^{\circ}\text{C/W}$   
 TSSOP-16,  $\theta_{JA}$ .....  $105^{\circ}\text{C/W}$   
 Lead Temperature Range (Soldering 10 sec)  
 .....  $260^{\circ}\text{C}$   
 ESD Susceptibility  
 HBM..... $1000\text{V}$   
 MM..... $400\text{V}$

### NOTES

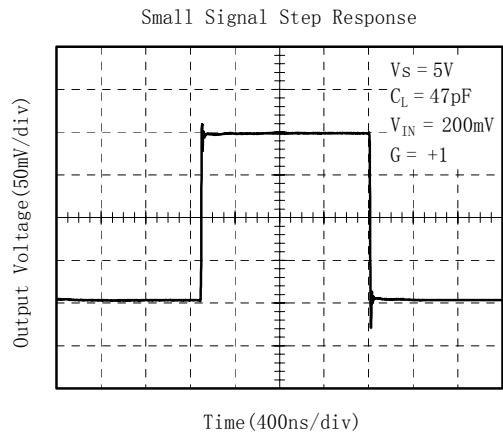
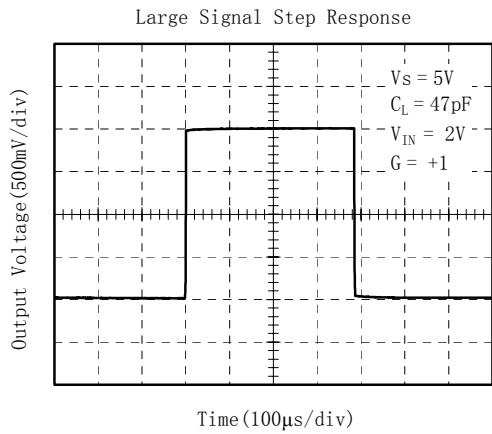
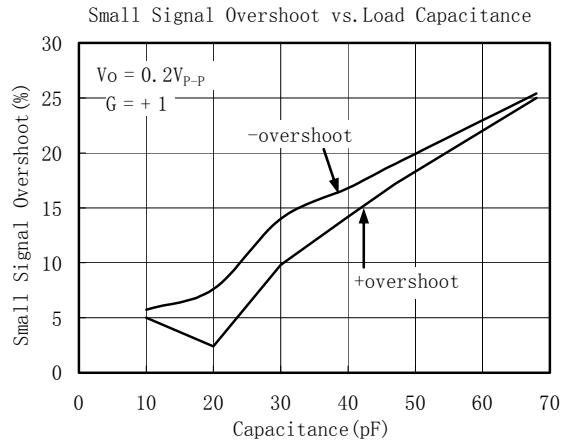
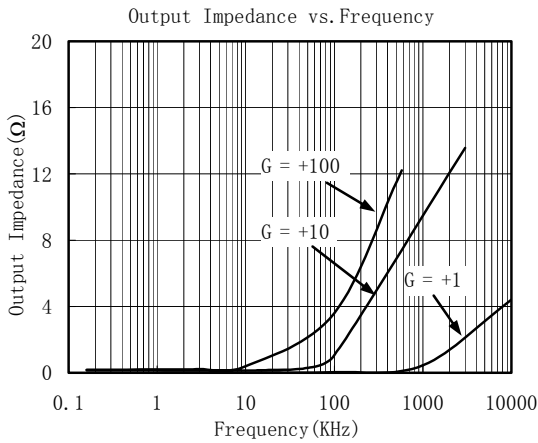
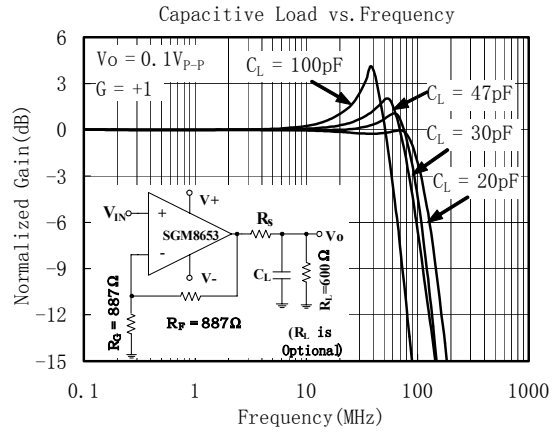
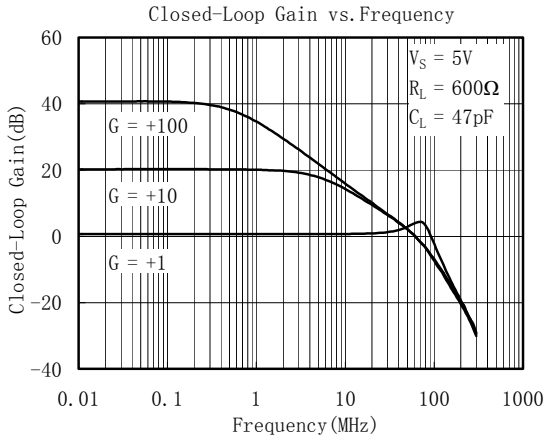
1. Stresses above those listed under Absolute Maximum Ratings may cause permanent damage to the device. This is a stress rating only; functional operation of the device at these or any other conditions above those indicated in the operational section of this specification is not implied. Exposure to absolute maximum rating conditions for extended periods may affect device reliability.

### CAUTION

This integrated circuit can be damaged by ESD. Shengbang Micro-electronics recommends that all integrated circuits be handled with appropriate precautions. Failure to observe proper handling and installation procedures can cause damage. ESD damage can range from subtle performance degradation to complete device failure. Precision integrated circuits may be more susceptible to damage because very small parametric changes could cause the device not to meet its published specifications.

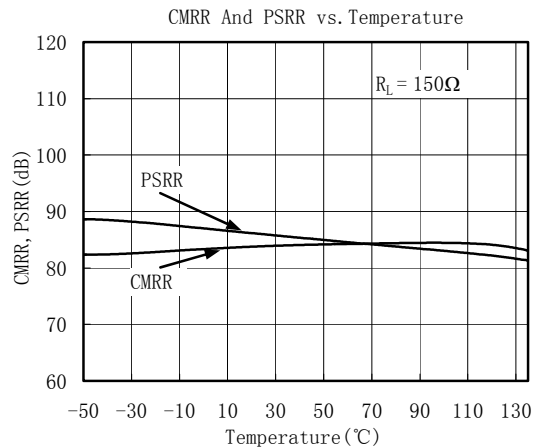
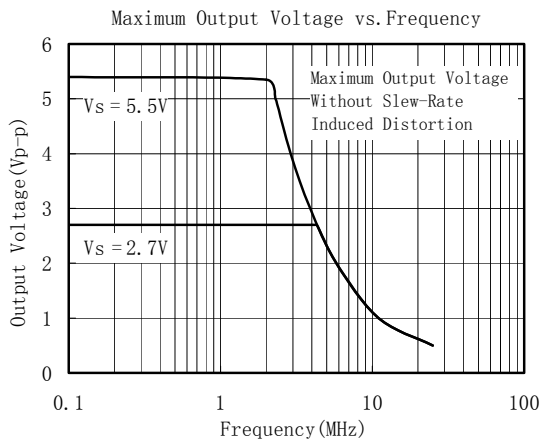
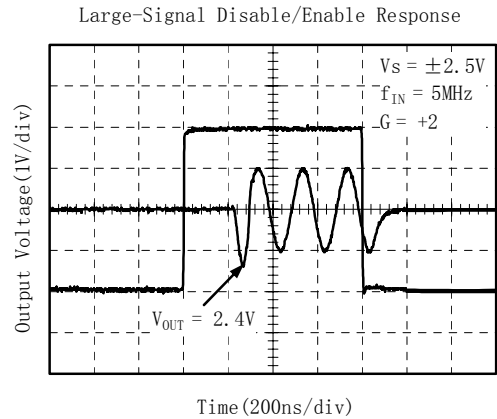
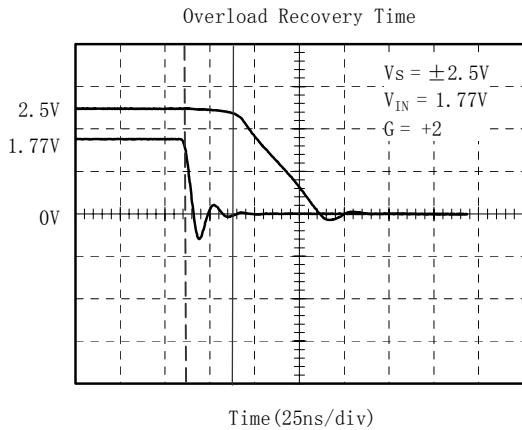
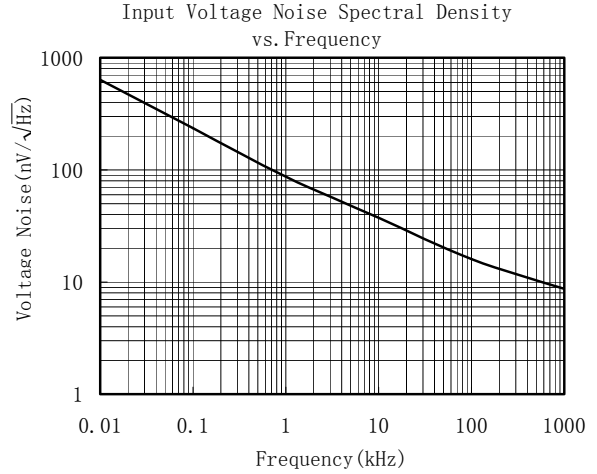
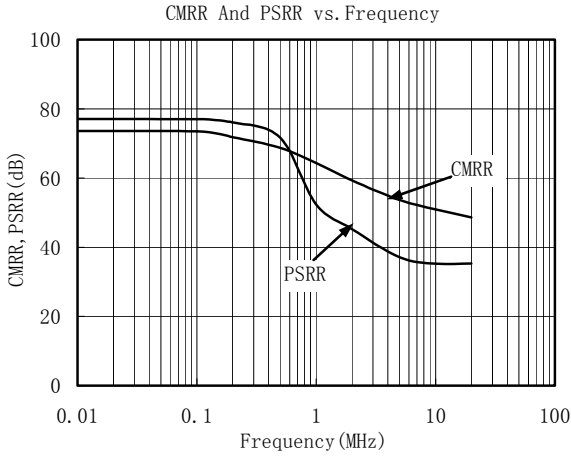
# TYPICAL PERFORMANCE CHARACTERISTICS

At  $T_A = +25^\circ\text{C}$ ,  $V_S = +5\text{V}$ ,  $G = +2$ ,  $R_F = 887\Omega$ ,  $R_G = 887\Omega$ ,  $C_L = 47\text{pF}$ , and  $R_L = 600\Omega$ , unless otherwise noted.



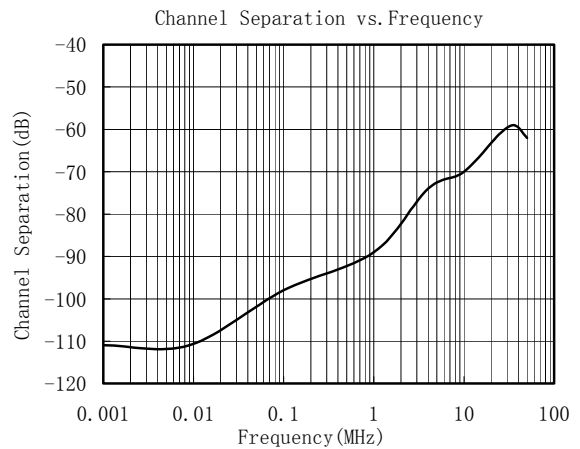
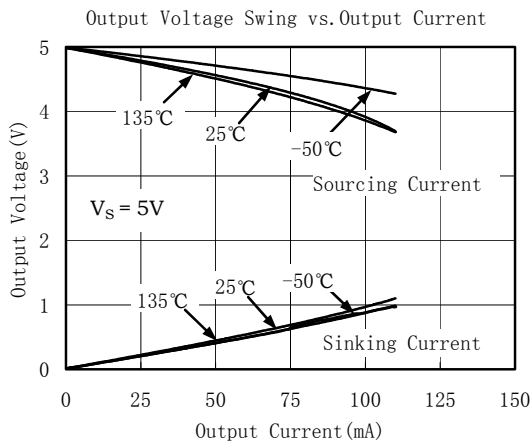
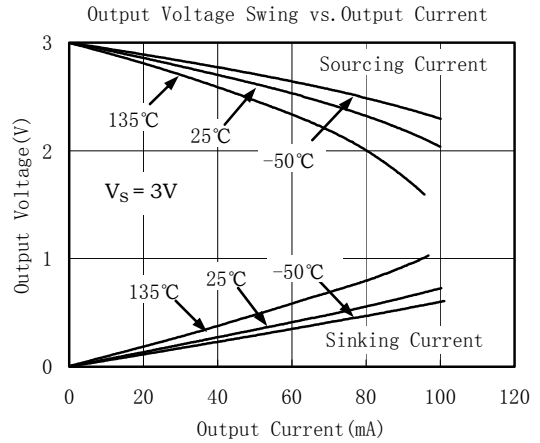
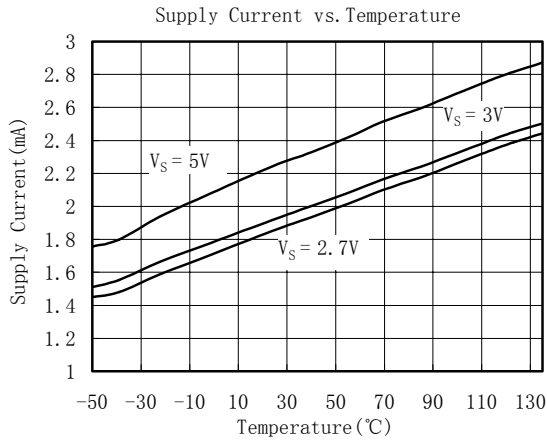
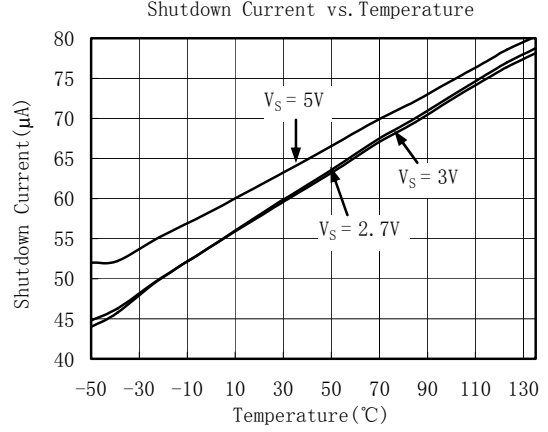
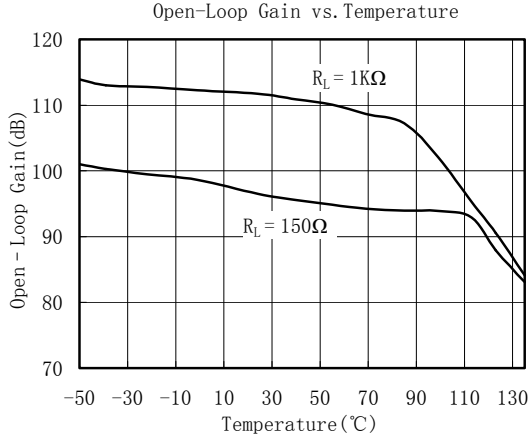
# TYPICAL PERFORMANCE CHARACTERISTICS

At  $T_A = +25^\circ\text{C}$ ,  $V_S = +5\text{V}$ ,  $G = +2$ ,  $R_F = 887\Omega$ ,  $R_G = 887\Omega$ ,  $C_L = 47\text{pF}$ , and  $R_L = 600\Omega$ , unless otherwise noted.



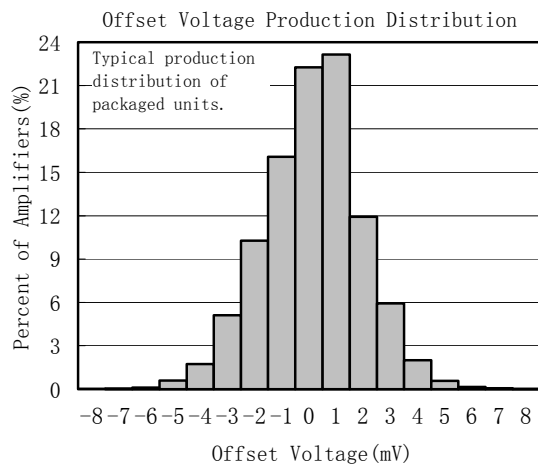
# TYPICAL PERFORMANCE CHARACTERISTICS

At  $T_A = +25^\circ\text{C}$ ,  $V_S = +5\text{V}$ ,  $G = +2$ ,  $R_F = 887\Omega$ ,  $R_G = 887\Omega$ , and  $R_L = 150\Omega$  connected to  $V_S/2$ , unless otherwise noted.



## TYPICAL PERFORMANCE CHARACTERISTICS

At  $T_A = +25^\circ\text{C}$ ,  $V_S = +5\text{V}$ ,  $G = +2$ ,  $R_F = 887\Omega$ ,  $R_G = 887\Omega$ , and  $R_L = 150\Omega$  connected to  $V_S/2$ , unless otherwise noted.



## APPLICATION NOTES

### Driving Capacitive Loads

The SGM865x can directly drive 47pF in unity-gain without oscillation. The unity-gain follower (buffer) is the most sensitive configuration to capacitive loading. Direct capacitive loading reduces the phase margin of amplifiers and this results in ringing or even oscillation. Applications that require greater capacitive drive capability should use an isolation resistor between the output and the capacitive load like the circuit in Figure 1. The isolation resistor  $R_{ISO}$  and the load capacitor  $C_L$  form a zero to increase stability. The bigger the  $R_{ISO}$  resistor value, the more stable  $V_{OUT}$  will be. Note that this method results in a loss of gain accuracy because  $R_{ISO}$  forms a voltage divider with the  $R_{LOAD}$ .

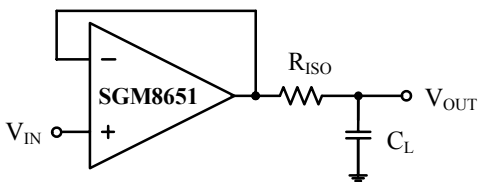


Figure 1. Indirectly Driving Heavy Capacitive Load

An improvement circuit is shown in Figure 2. It provides DC accuracy as well as AC stability.  $R_F$  provides the DC accuracy by connecting the inverting signal with the output.  $C_F$  and  $R_{ISO}$  serve to counteract the loss of phase margin by feeding the high frequency component of the output signal back to the amplifier's inverting input, thereby preserving phase margin in the overall feedback loop.

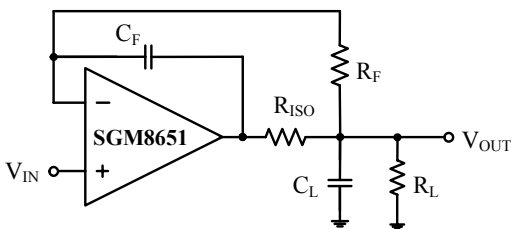


Figure 2. Indirectly Driving Heavy Capacitive Load with DC Accuracy

For no-buffer configuration, there are two others ways to increase the phase margin: (a) by increasing the amplifier's gain or (b) by placing a capacitor in parallel with the feedback resistor to counteract the parasitic capacitance associated with inverting node.

### Power-Supply Bypassing and Layout

The SGM865x family operates from either a single +2.7V to +5.5V supply or dual  $\pm 1.35V$  to  $\pm 2.75V$  supplies. For single-supply operation, bypass the power supply  $V_{DD}$  with a  $0.1\mu F$  ceramic capacitor which should be placed close to the  $V_{DD}$  pin. For dual-supply operation, both the  $V_{DD}$  and the  $V_{SS}$  supplies should be bypassed to ground with separate  $0.1\mu F$  ceramic capacitors.  $2.2\mu F$  tantalum capacitor can be added for better performance.

Good PC board layout techniques optimize performance by decreasing the amount of stray capacitance at the op amp's inputs and output. To decrease stray capacitance, minimize trace lengths and widths by placing external components as close to the device as possible. Use surface-mount components whenever possible.

For the high speed operational amplifier, soldering the part to the board directly is strongly recommended. Try to keep the high frequency big current loop area small to minimize the EMI (electromagnetic interfacing).

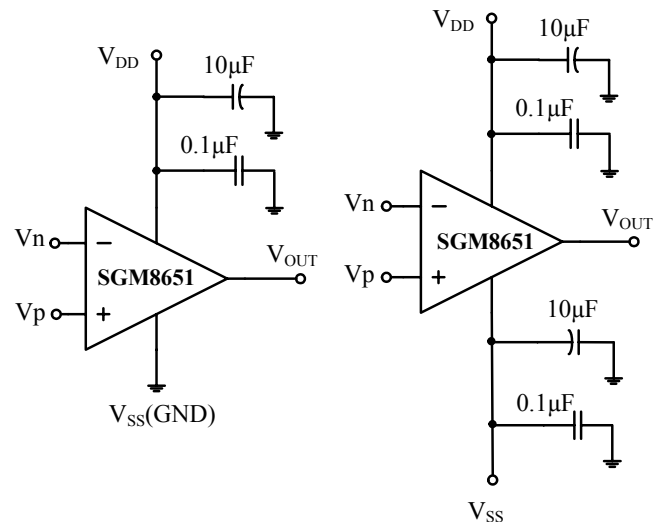


Figure 3. Amplifier with Bypass Capacitors

### Grounding

A ground plane layer is important for high speed circuit design. The length of the current path speed currents in an inductive ground return will create an unwanted voltage noise. Broad ground plane areas will reduce the parasitic inductance.

### Input-to-Output Coupling

To minimize capacitive coupling, the input and output signal traces should not be parallel. This helps reduce unwanted positive feedback.



## Typical Application Circuits

### Differential Amplifier

The circuit shown in Figure 4 performs the difference function. If the resistors ratios are equal ( $R4 / R3 = R2 / R1$ ), then  $V_{OUT} = (Vp - Vn) \times R2 / R1 + Vref$ .

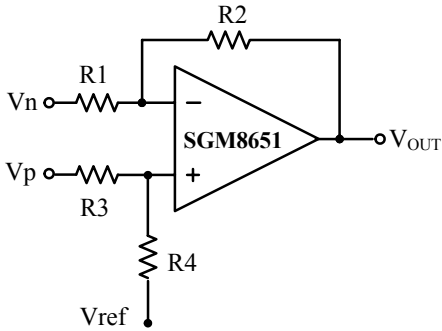


Figure 4. Differential Amplifier

### Instrumentation Amplifier

The circuit in Figure 5 performs the same function as that in Figure 4 but with the high input impedance.

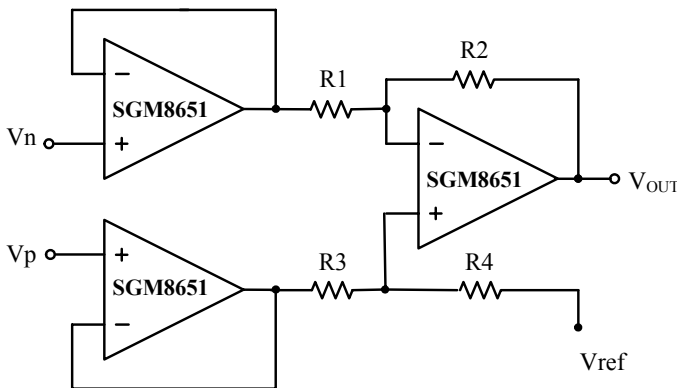


Figure 5. Instrumentation Amplifier

### Low Pass Active Filter

The low pass filter shown in Figure 6 has a DC gain of  $(-R2/R1)$  and the  $-3\text{dB}$  corner frequency is  $1/2\pi R2C$ . Make sure the filter is within the bandwidth of the amplifier. The Large values of feedback resistors can couple with parasitic capacitance and cause undesired effects such as ringing or oscillation in high-speed amplifiers. Keep resistors value as low as possible and consistent with output loading consideration.

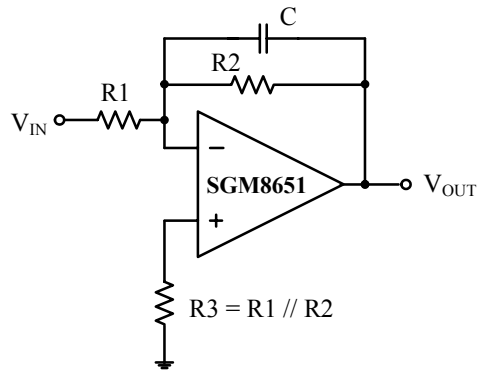


Figure 6. Low Pass Active Filter

### Driving Video

The SGM865x can be used in video applications like in Figure 7.

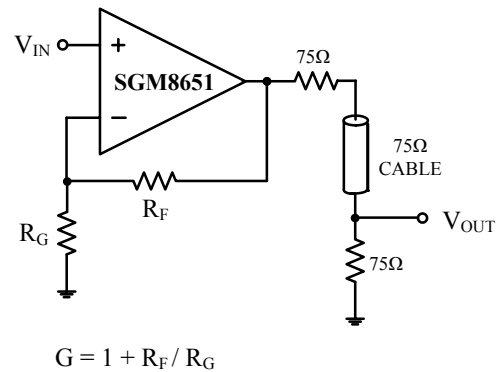
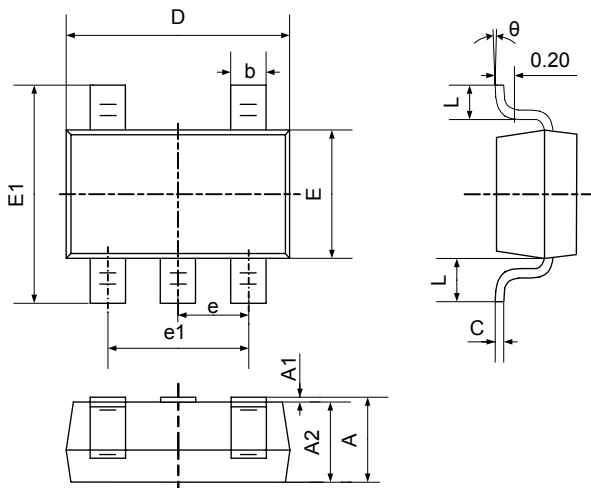


Figure 7. Typical Video Driving

## PACKAGE OUTLINE DIMENSIONS

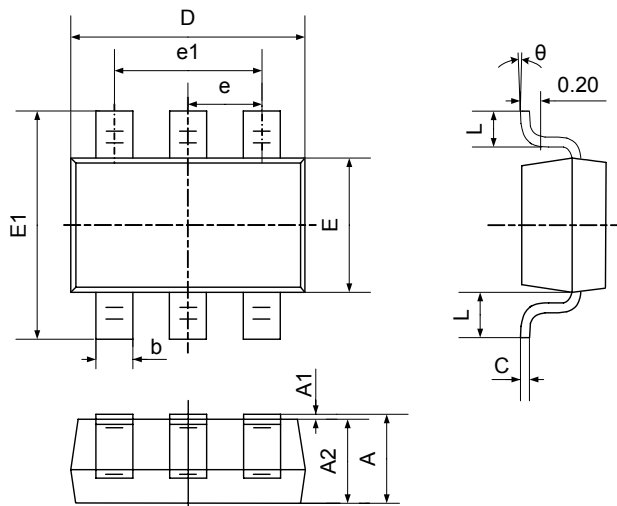
### SOT23-5



Symbol	Dimensions In Millimeters		Dimensions In Inches	
	Min	Max	Min	Max
A	1.050	1.250	0.041	0.049
A1	0.000	0.100	0.000	0.004
A2	1.050	1.150	0.041	0.045
b	0.300	0.400	0.012	0.016
c	0.100	0.200	0.004	0.008
D	2.820	3.020	0.111	0.119
E	1.500	1.700	0.059	0.067
E1	2.650	2.950	0.104	0.116
e	0.950TYP		0.037TYP	
e1	1.800	2.000	0.071	0.079
L	0.700REF		0.028REF	
L1	0.300	0.600	0.012	0.024
theta	0°	8°	0°	8°

## PACKAGE OUTLINE DIMENSIONS

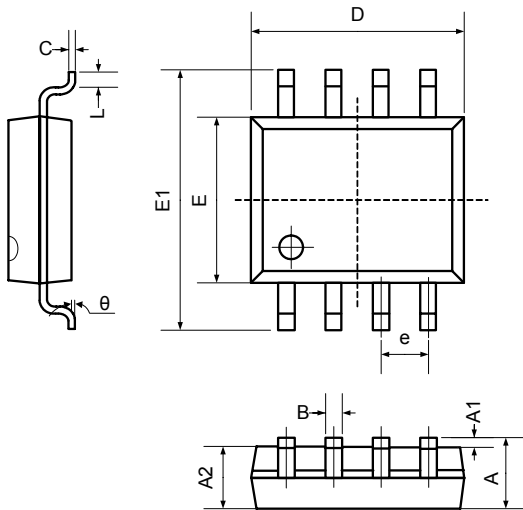
### SOT23-6



Symbol	Dimensions In Millimeters		Dimensions In Inches	
	Min	Max	Min	Max
A	1.050	1.250	0.041	0.049
A1	0.000	0.100	0.000	0.004
A2	1.050	1.150	0.041	0.045
b	0.300	0.400	0.012	0.016
c	0.100	0.200	0.004	0.008
D	2.820	3.020	0.111	0.119
E	1.500	1.700	0.059	0.067
E1	2.650	2.950	0.104	0.116
e	0.950TYP		0.037TYP	
e1	1.800	2.000	0.071	0.079
L	0.700REF		0.028REF	
L1	0.300	0.600	0.012	0.024
theta	0°	8°	0°	8°

## PACKAGE OUTLINE DIMENSIONS

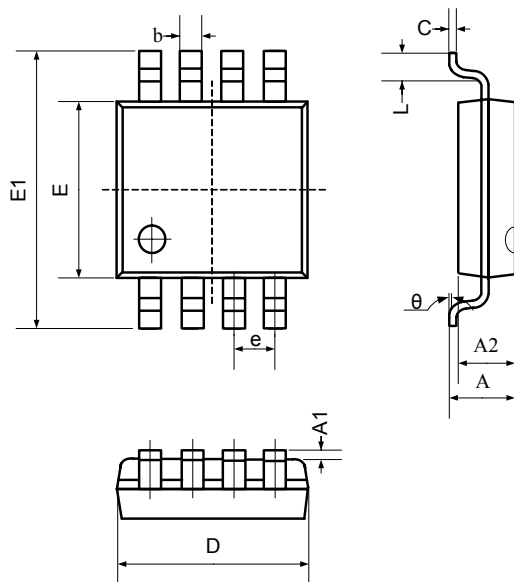
### SO-8



Symbol	Dimensions In Millimeters		Dimensions In Inches	
	Min	Max	Min	Max
A	1.350	1.750	0.053	0.069
A1	0.100	0.250	0.004	0.010
A2	1.350	1.550	0.053	0.061
B	0.330	0.510	0.013	0.020
C	0.190	0.250	0.007	0.010
D	4.780	5.000	0.188	0.197
E	3.800	4.000	0.150	0.157
E1	5.800	6.300	0.228	0.248
e	1.270TYP		0.050TYP	
L	0.400	1.270	0.016	0.050
theta	0°	8°	0°	8°

## PACKAGE OUTLINE DIMENSIONS

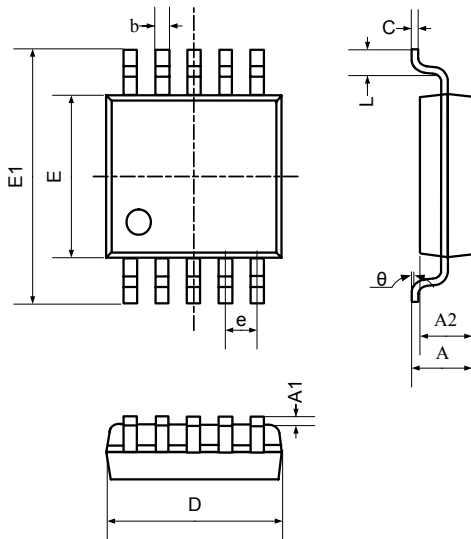
### MSOP-8



Symbol	Dimensions In Millimeters		Dimensions In Inches	
	Min	Max	Min	Max
A	0.800	1.200	0.031	0.047
A1	0.000	0.200	0.000	0.008
A2	0.760	0.970	0.030	0.038
b	0.30 TYP		0.012 TYP	
c	0.15 TYP		0.006 TYP	
D	2.900	3.100	0.114	0.122
e	0.65 TYP		0.026 TYP	
E	2.900	3.100	0.114	0.122
E1	4.700	5.100	0.185	0.201
L	0.410	0.650	0.016	0.026
θ	0°	6°	0°	6°

## PACKAGE OUTLINE DIMENSIONS

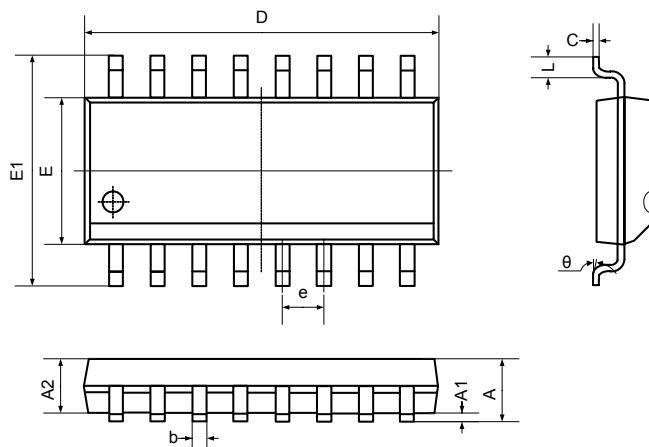
### MSOP-10



Symbol	Dimensions In Millimeters		Dimensions In Inches	
	Min	Max	Min	Max
A	0.800	1.200	0.031	0.047
A1	0.000	0.200	0.000	0.008
A2	0.760	0.970	0.030	0.038
b	0.30 TYP		0.012 TYP	
c	0.152 TYP		0.006 TYP	
D	2.900	3.100	0.114	0.122
e	0.50 TYP		0.020 TYP	
E	2.900	3.100	0.114	0.122
E1	4.700	5.100	0.185	0.201
L	0.410	0.650	0.016	0.026
θ	0°	6°	0°	6°

## PACKAGE OUTLINE DIMENSIONS

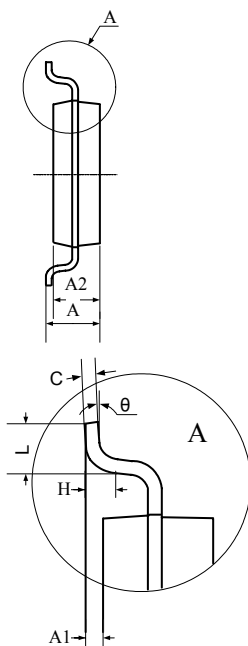
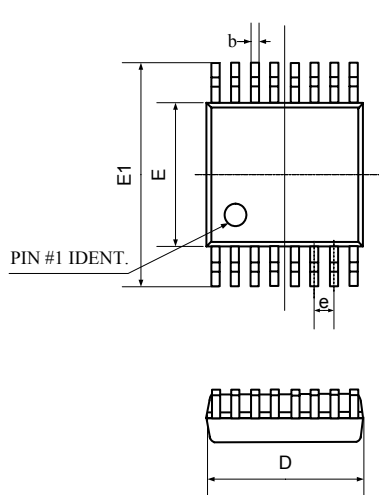
### SO-16



Symbol	Dimensions In Millimeters		Dimensions In Inches	
	Min	Max	Min	Max
A	1.350	1.750	0.053	0.069
A1	0.100	0.250	0.004	0.010
A2	1.350	1.550	0.053	0.061
b	0.330	0.510	0.013	0.020
c	0.170	0.250	0.007	0.010
D	9.800	10.20	0.386	0.402
E	3.800	4.000	0.150	0.157
E1	5.800	6.200	0.228	0.244
e	1.270 (BSC)		0.050 (BSC)	
L	0.400	1.270	0.016	0.050
θ	0°	8°	0°	8°

# PACKAGE OUTLINE DIMENSIONS

## TSSOP-16



Symbol	Dimensions In Millimeters		Dimensions In Inches	
	Min	Max	Min	Max
D	4.900	5.100	0.193	0.201
E	4.300	4.500	0.169	0.177
b	0.190	0.300	0.007	0.012
c	0.090	0.200	0.004	0.008
E1	6.250	6.550	0.246	0.258
A		1.100		0.043
A2	0.800	1.000	0.031	0.039
A1	0.020	0.150	0.001	0.006
e	0.65 (BSC)		0.026 (BSC)	
L	0.500	0.700	0.020	0.028
H	0.25(TYP)		0.01(TYP)	
θ	1°	7°	1°	7°



## REVISION HISTORY

Location	Page
<b>9/05— Data Sheet changed from REV.A to REV.B</b>	
Added SGM8655 .....	Universal
Changes to PRODUCT DESCRIPTION, FEATURES, and PIN CONFIGURATIONS .....	1
Changes to ELECTRICAL CHARACTERISTICS .....	2
Updated PACKAGE/ORDERING INFORMATION .....	3
<b>11/06— Data Sheet changed from REV. B to REV. C</b>	
Changes to ABSOLUTE MAXIMUM RATINGS .....	3

### Shengbang Microelectronics Co, Ltd

Unit 3, ChuangYe Plaza  
No.5, TaiHu Northern Street, YingBin Road Centralized Industrial Park  
Harbin Development Zone  
Harbin, HeiLongJiang 150078  
P.R. China  
Tel.: 86-451-84348461  
Fax: 86-451-84308461  
[www.sg-micro.com](http://www.sg-micro.com)