

SCHOTTKY BARRIER DUAL DIODE

DESCRIPTION:

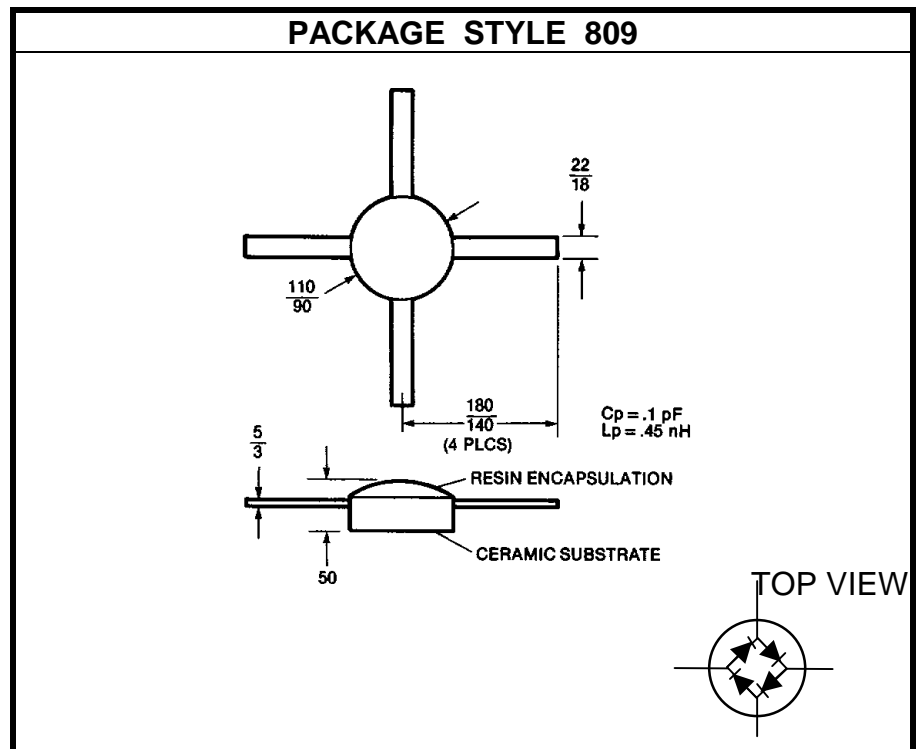
The **ASI 5082-2830** is a medium Barrier Schottky Dual Diode Designed for Single Balanced Mixer, Phase Detector and Modulator Applications up to 2.0 GHz.

FEATURES INCLUDE:

- Medium Barrier
- Excellent Matching
- Rugged design

MAXIMUM RATINGS

I_F	100 mA
P_{DISS}	75 mW @ $T_C = 25^\circ\text{C}$ per Junction
T_J	-65°C to $+175^\circ\text{C}$
T_{STG}	-65°C to $+175^\circ\text{C}$
T_{SOLDER}	$+220^\circ\text{C}$ for 10 seconds



CHARACTERISTICS $T_C = 25^\circ\text{C}$

SYMBOL	TEST CONDITIONS		MINIMUM	TYPICAL	MAXIMUM	UNITS
V_F	$I_F = 1 \text{ mA}$				400	mV
ΔV_F	$I_R = 5.0 \text{ mA}$		2		20	mV
C_T	$V_R = 0 \text{ V}$	Diagonal		0.50		pF
		Adjacent		0.67		
ΔC_T	$V_R = 0$				0.20	pF
R_D	$I_F = 5.0 \text{ mA}$				12	Ω